



US00D707118S

(12) **United States Design Patent**
Au

(10) **Patent No.:** **US D707,118 S**
(45) **Date of Patent:** **** Jun. 17, 2014**

(54) **DUAL AUTOMATIC DISPLAY WATCH WITH TOUCH SCREEN LCD CONTROL AND LED ILLUMINATION DEVICE**

(76) Inventor: **Kinsen Ka Fai Au**, Tuen Mun (HK)

(**) Term: **14 Years**

(21) Appl. No.: **29/395,556**

(22) Filed: **Feb. 17, 2012**

(30) **Foreign Application Priority Data**

Aug. 8, 2011 (HK) 1101354

(51) **LOC (10) Cl.** **09-03**

(52) **U.S. Cl.**
USPC **D9/420; D9/418**

(58) **Field of Classification Search**
USPC D9/414, 41, 420, 421, 423, 431, 432;
D3/273-294; 206/472, 387.13, 308.7;
D6/632, 634; D24/121

See application file for complete search history.

(56) **References Cited**

U.S. PATENT DOCUMENTS

D437,779 S * 2/2001 Randall et al. D9/418
D473,712 S * 4/2003 Sabounjian D3/270
D506,867 S * 7/2005 Galan D3/273
D510,210 S * 10/2005 Au D6/470

D513,568 S * 1/2006 Au D6/470
D514,848 S * 2/2006 Au D6/470
D658,696 S * 5/2012 Au D15/199
D669,351 S * 10/2012 Au D9/423
2007/0151878 A1 * 7/2007 Au 206/301

* cited by examiner

Primary Examiner — Thomas Johannes

(74) *Attorney, Agent, or Firm* — Raymond Y. Chan; David and Raymond Patent Firm

(57) **CLAIM**

The ornamental design for a dual automatic display watch with touch screen LCD control and LED illumination device, as shown and described.

DESCRIPTION

FIG. 1 is a front perspective view of dual automatic display watch with touch screen LCD control and LED illumination device showing my new design.

FIG. 2 is a front view thereof.

FIG. 3 is a rear view thereof.

FIG. 4 is a left end view thereof.

FIG. 5 is a right end view thereof.

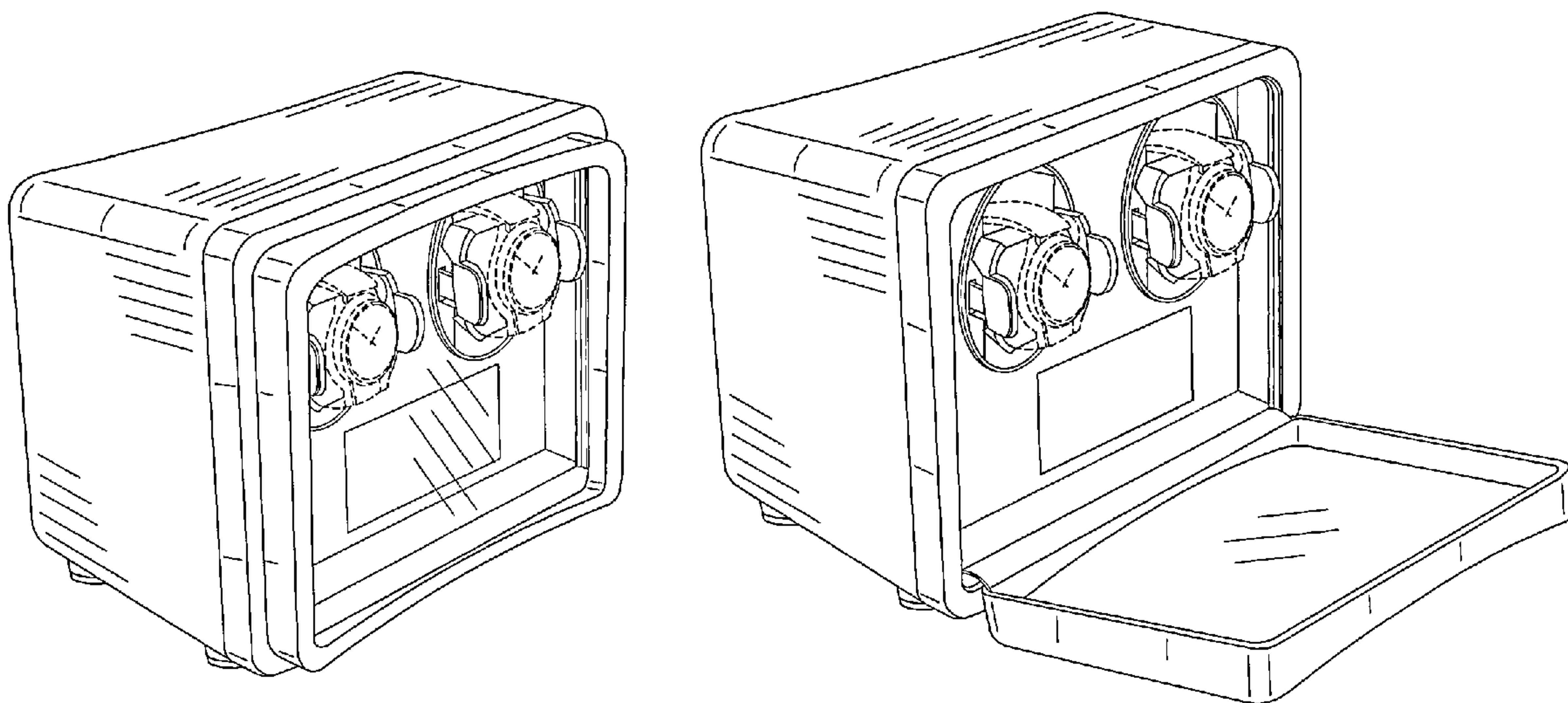
FIG. 6 is a top view thereof.

FIG. 7 is a bottom view thereof; and,

FIG. 8 is a front perspective view thereof.

The broken line portion of the figure drawings is included to show unclaimed subject matter only and forms no part of the claimed design.

1 Claim, 8 Drawing Sheets



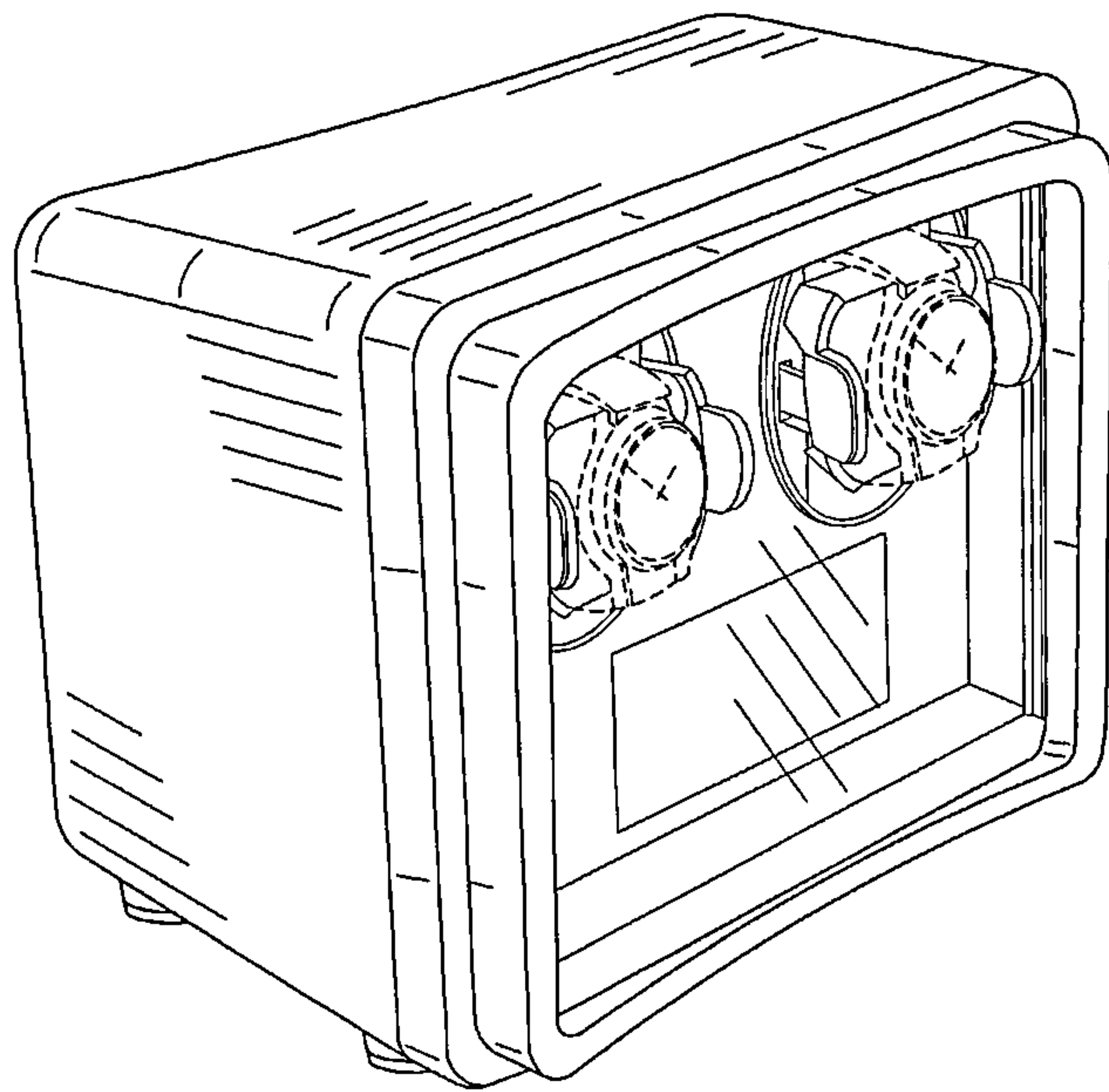


FIG.1

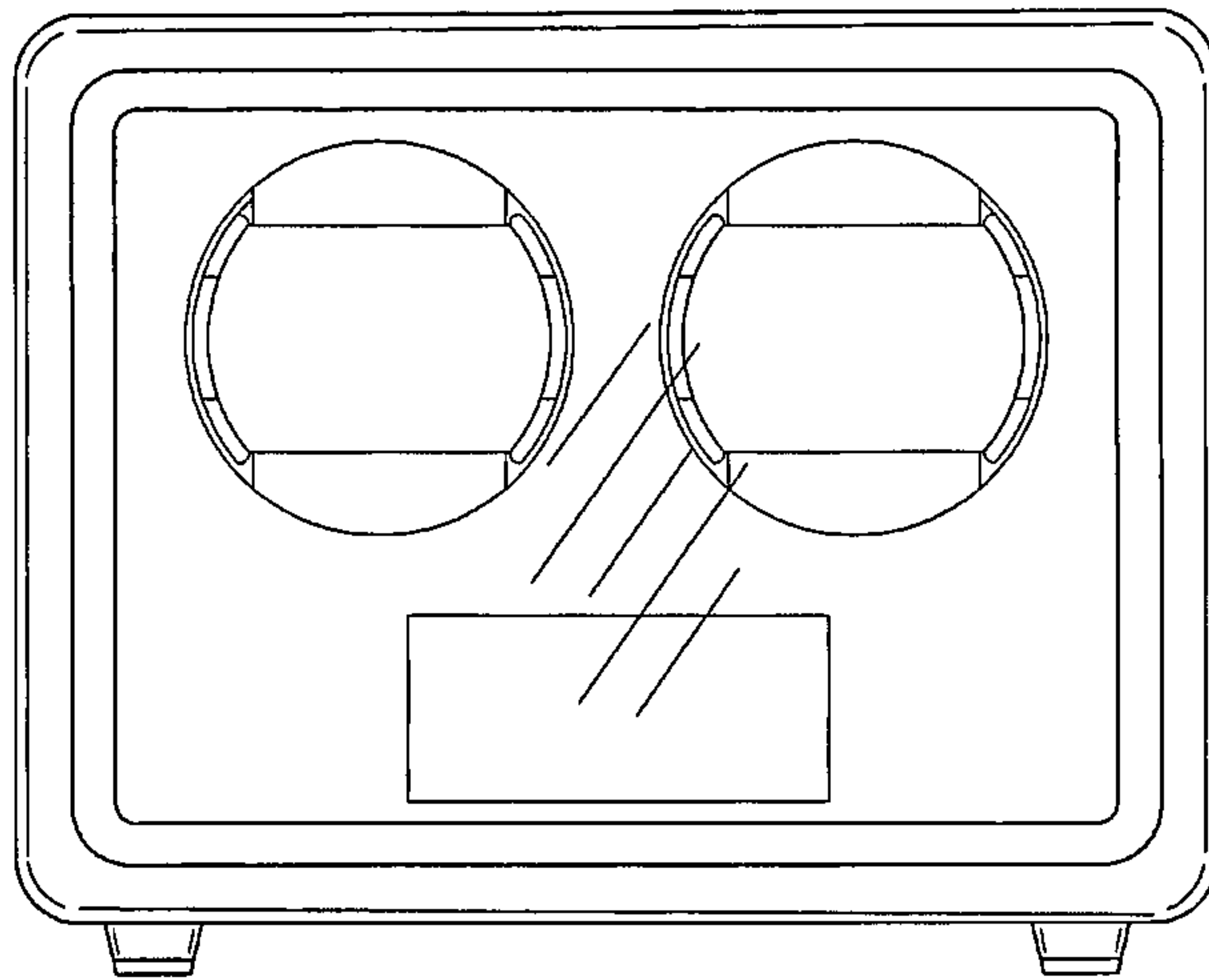


FIG. 2

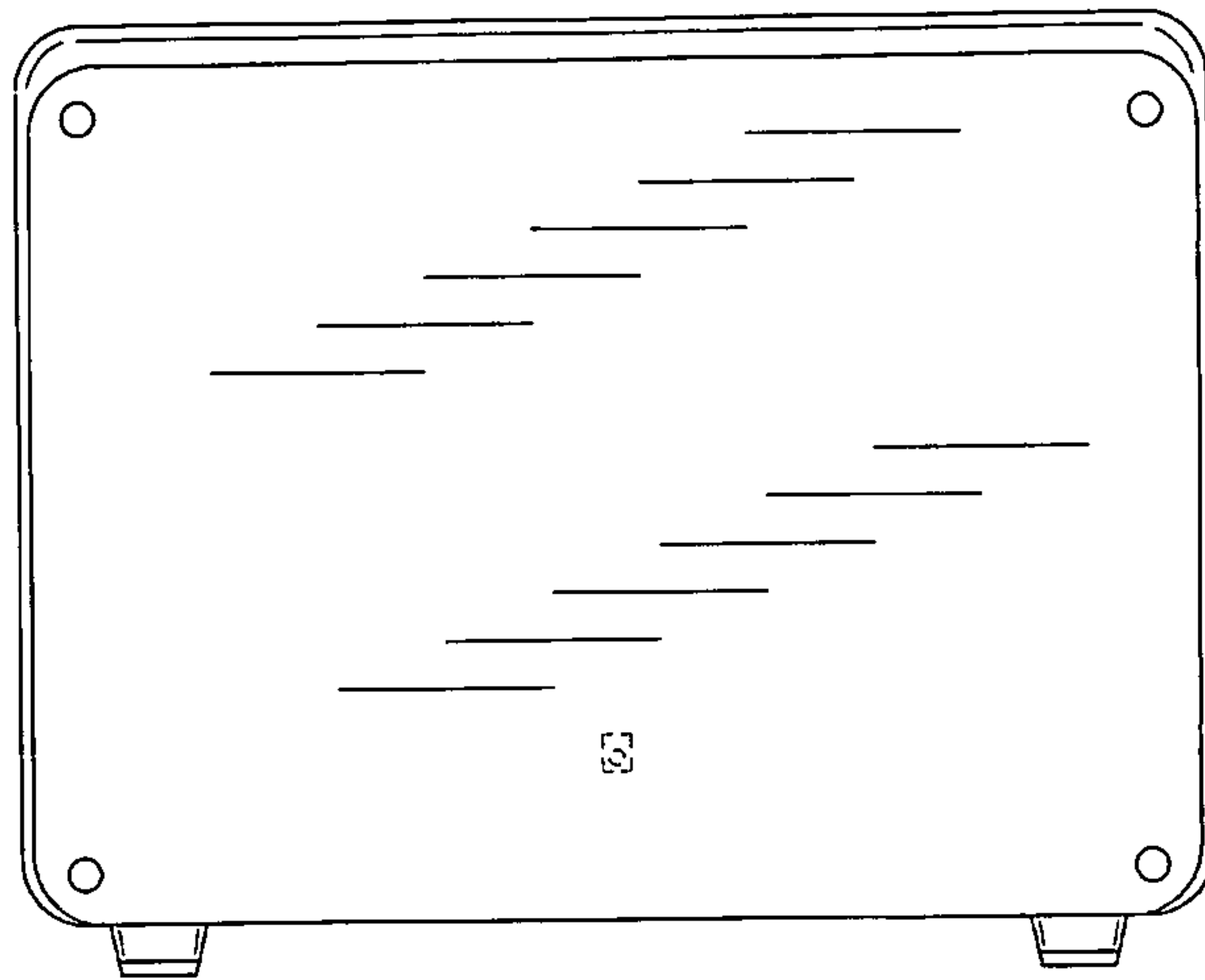


FIG.3

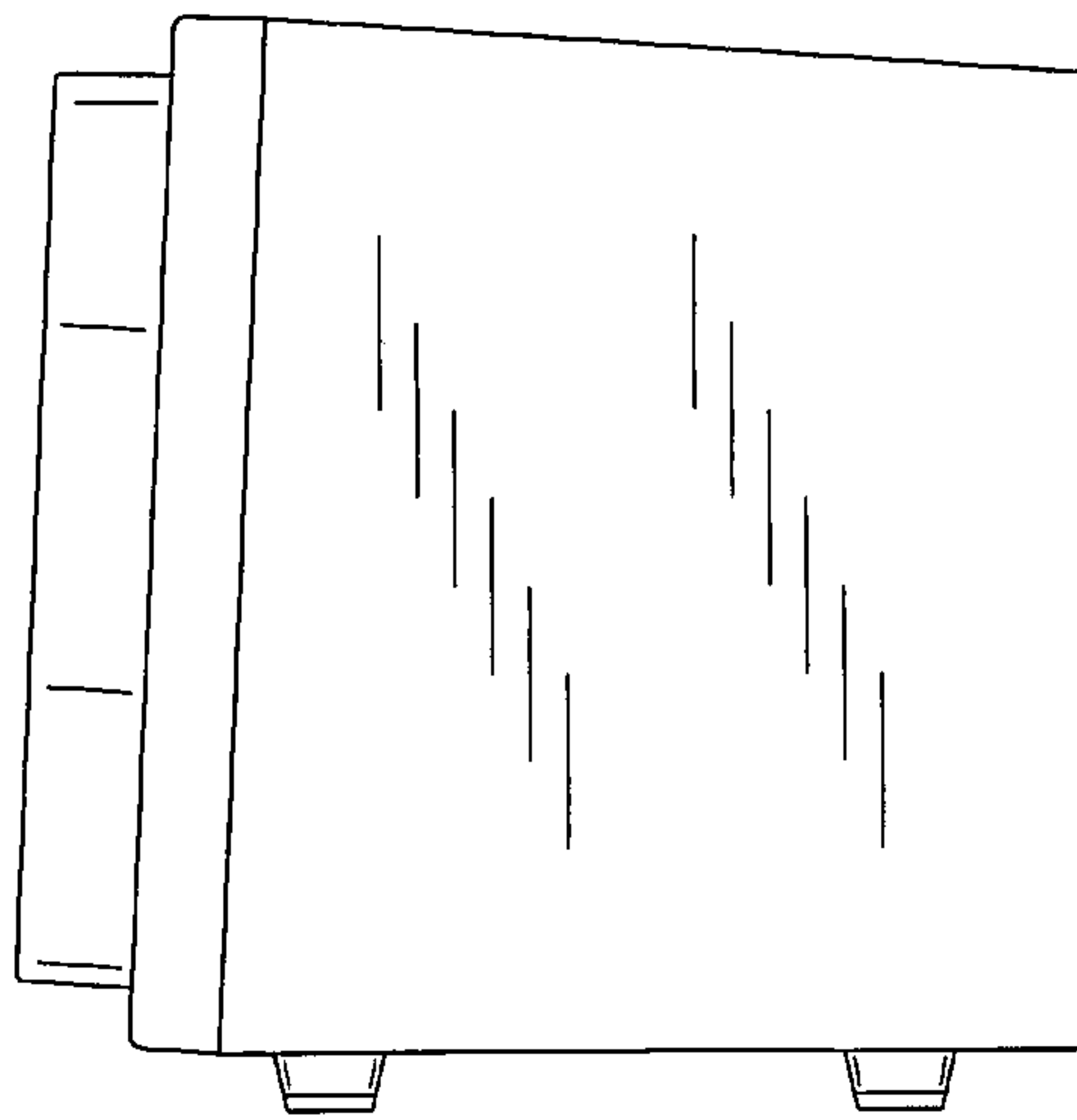


FIG.4

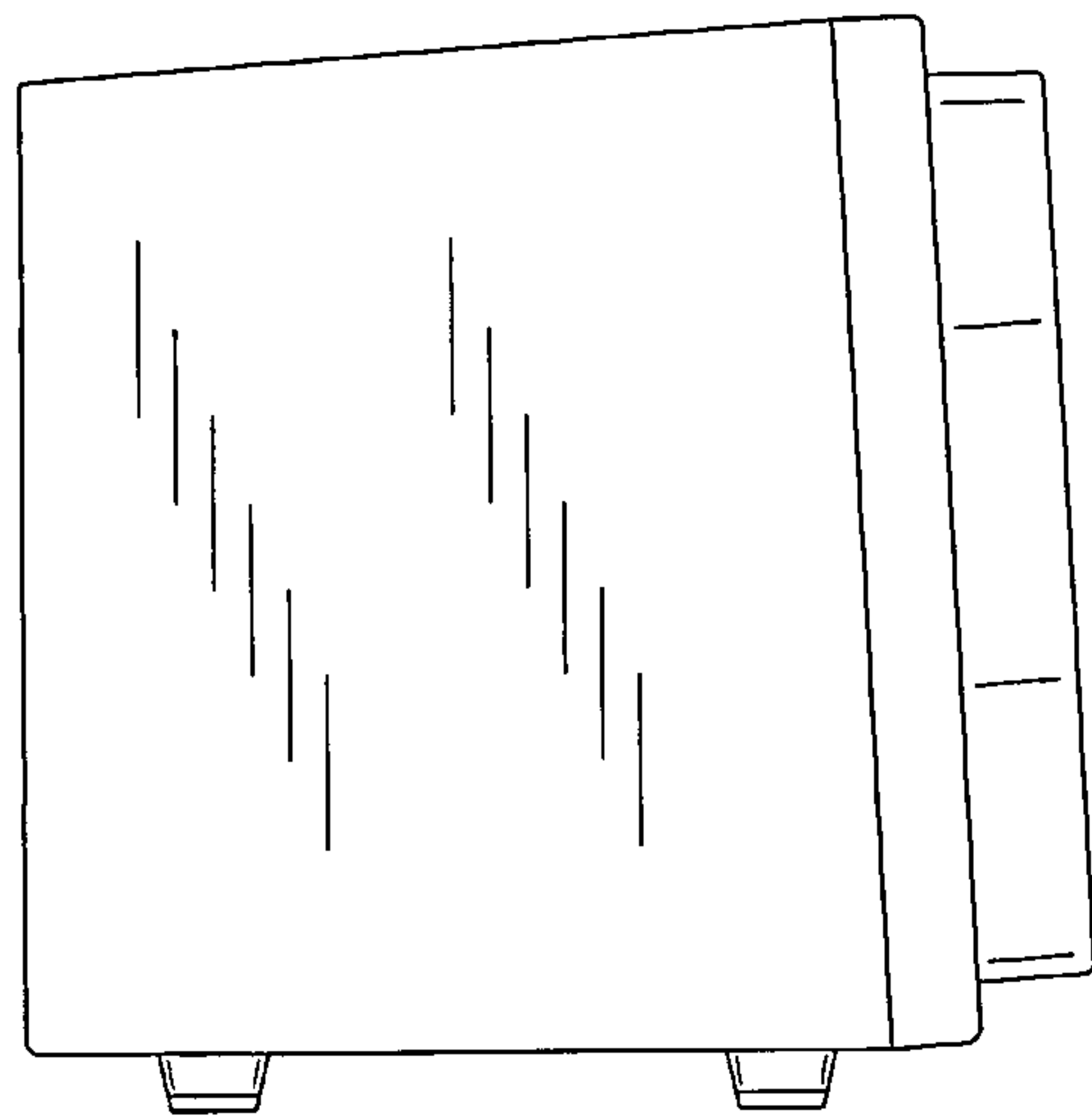


FIG.5

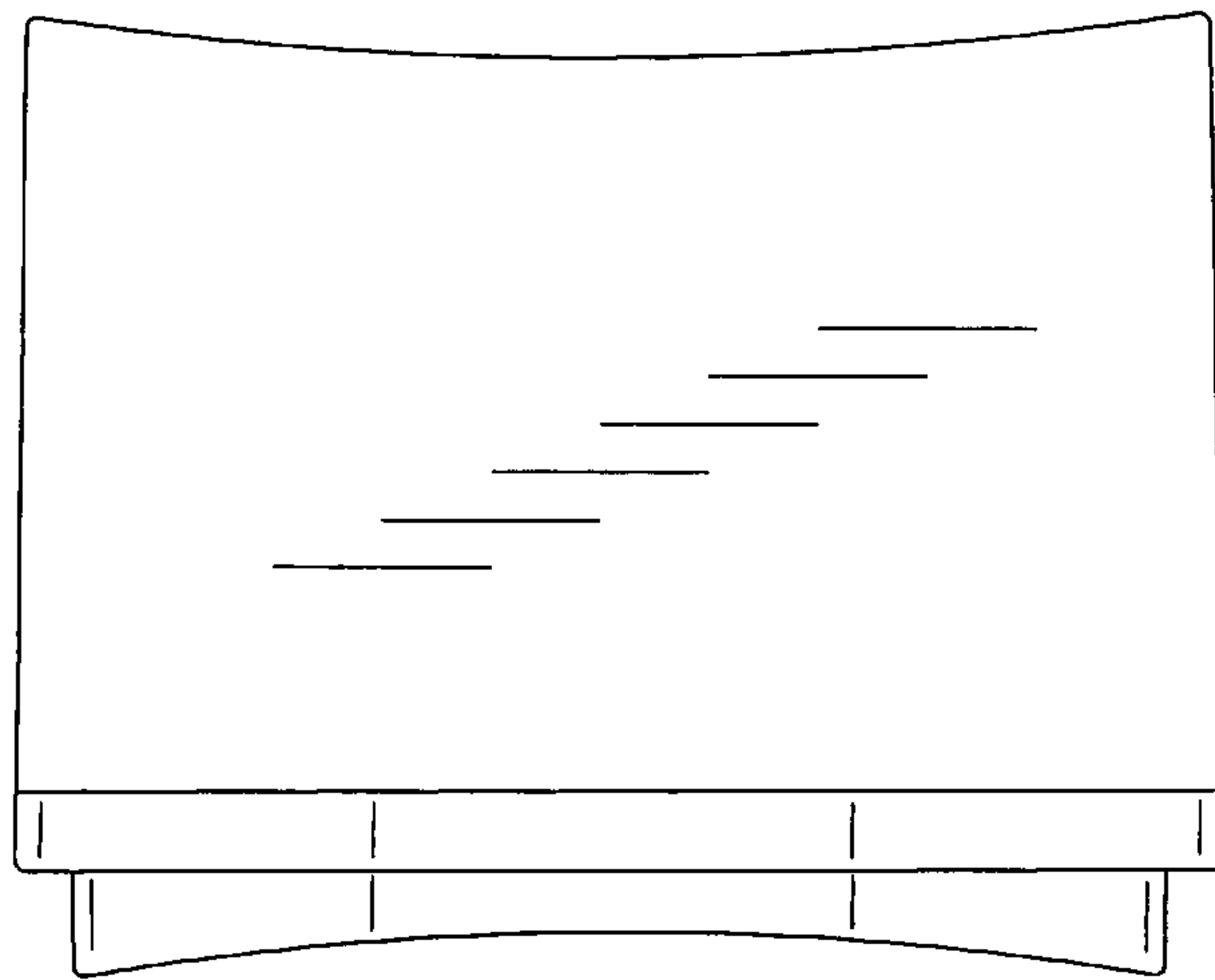


FIG.6

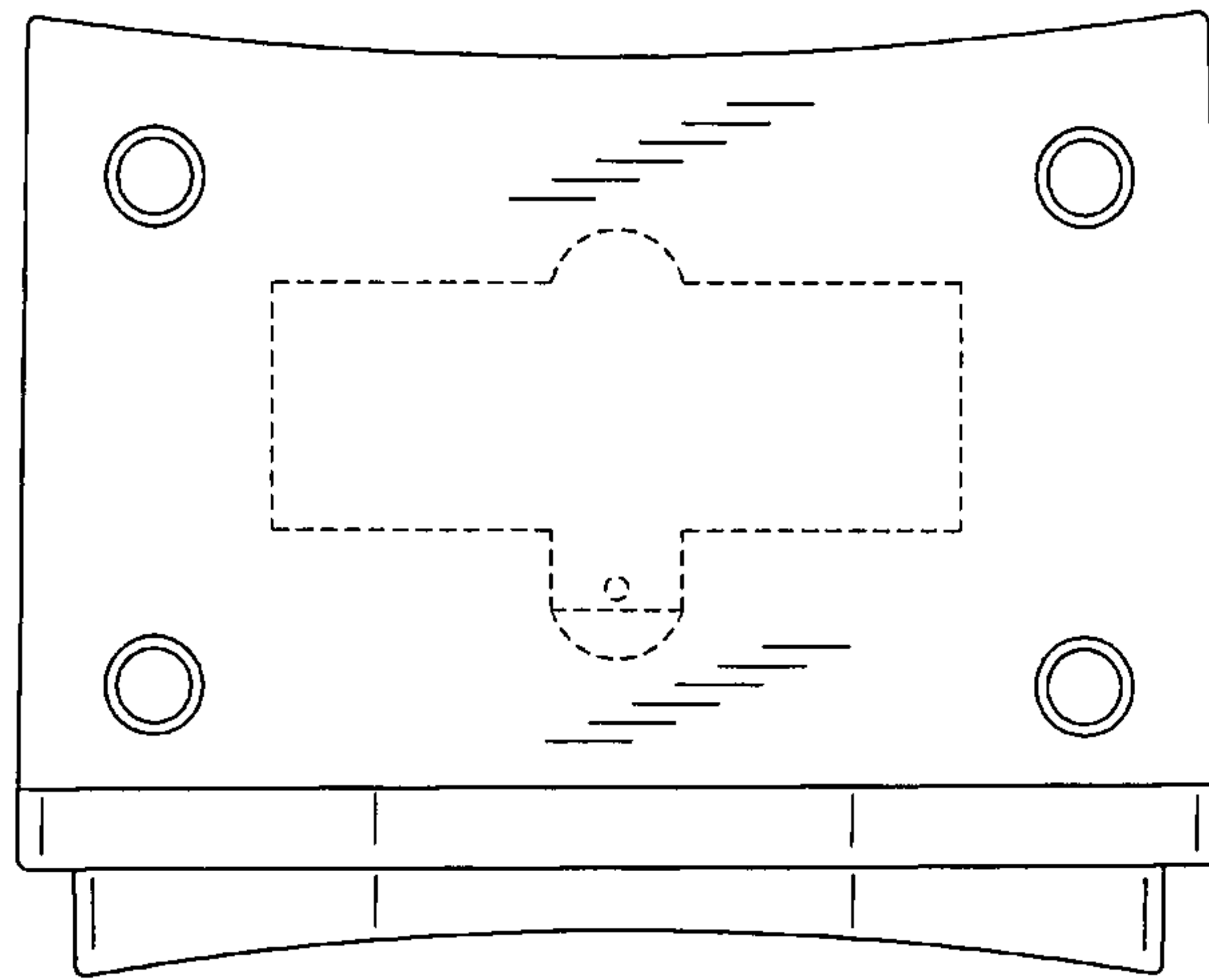


FIG. 7

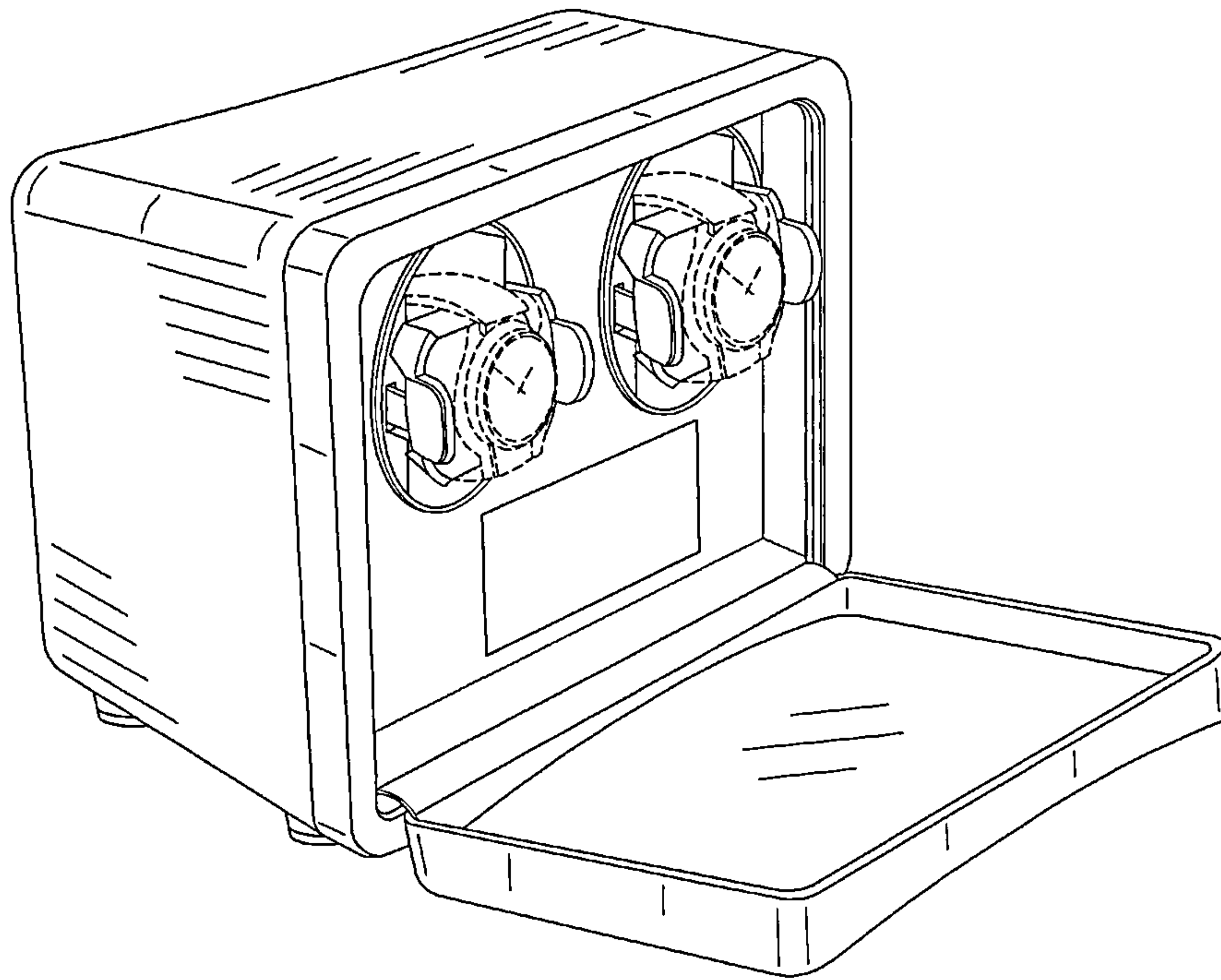


FIG.8