



US00D707115S

(12) **United States Design Patent**
Naoi

(10) **Patent No.:** **US D707,115 S**
(45) **Date of Patent:** **** Jun. 17, 2014**

(54) **FASTENER**
(75) Inventor: **Hajime Naoi**, Utsunomiya (JP)
(73) Assignee: **Nifco Inc.**, Yokohama-shi (JP)
(**) Term: **14 Years**

7,427,181 B2 * 9/2008 Denton et al. 411/383
8,075,234 B2 * 12/2011 McClure 411/71
8,262,330 B2 * 9/2012 Ishino et al. 411/58
D673,841 S * 1/2013 Hirano D8/382
D674,273 S * 1/2013 Yogev D8/382
D688,937 S * 9/2013 Brewer D8/382
8,534,971 B2 * 9/2013 Muramatsu et al. 411/45

* cited by examiner

(21) Appl. No.: **29/421,267**
(22) Filed: **Jun. 22, 2012**

Primary Examiner — Sheryl Lane
(74) Attorney, Agent, or Firm — Manabu Kanesaka

(30) **Foreign Application Priority Data**

(57) **CLAIM**
The ornamental design for a fastener, as shown and described.

Dec. 27, 2011 (JP) 2011-030159

DESCRIPTION

(51) **LOC (10) Cl.** **08-08**
(52) **U.S. Cl.**
USPC **D8/382**
(58) **Field of Classification Search**
USPC D8/382, 349, 354, 356, 399; 411/45,
411/41, 55, 58, 369, 371.1
See application file for complete search history.

FIG. 1 is a perspective view from a plan side of a fastener showing my new design;
FIG. 2 is a perspective view from a bottom side thereof;
FIG. 3 is another perspective view from the plan side thereof;
FIG. 4 is a front view thereof, a rear view being identical to the front view;
FIG. 5 is a right side view thereof, a left side view being identical to the right side view;
FIG. 6 is a plan view thereof;
FIG. 7 is a bottom view thereof;
FIG. 8 is a cross-sectional view thereof along the line 8-8 in FIG. 6; and,
FIG. 9 is a cross-sectional view thereof along the line 9-9 in FIG. 6.

(56) **References Cited**

The broken lines depict portions of the fastener that form no part of claimed design.

U.S. PATENT DOCUMENTS

4,875,818 A * 10/1989 Reinwall 411/369
4,878,791 A * 11/1989 Kurihara et al. 411/55
5,030,051 A * 7/1991 Kaneko et al. 411/55
5,573,362 A * 11/1996 Asami et al. 411/509
5,846,040 A * 12/1998 Ueno 411/45
6,244,807 B1 * 6/2001 Garcia 411/369
D564,344 S * 3/2008 Nakazato D8/382

1 Claim, 5 Drawing Sheets

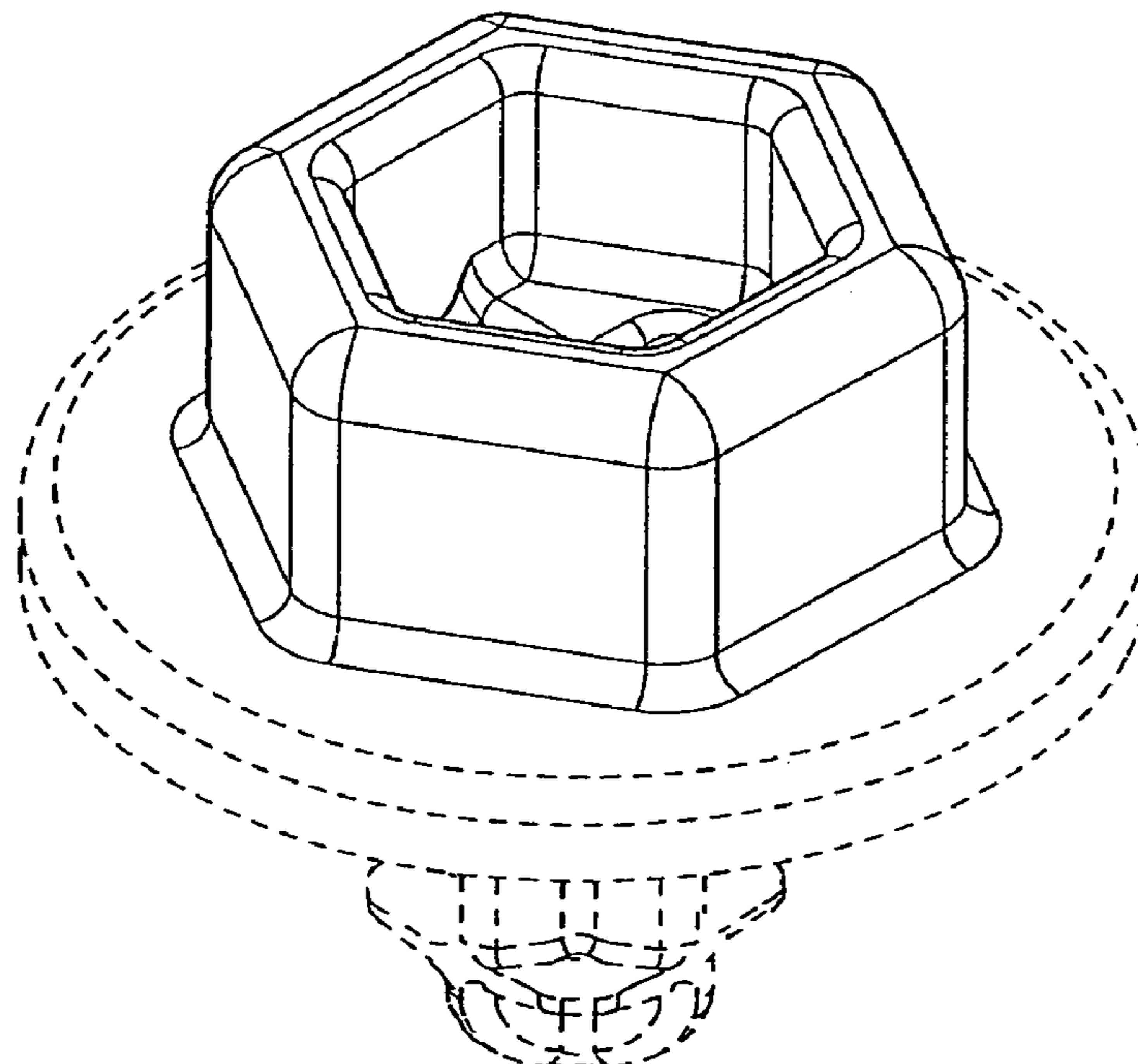


FIG. 1

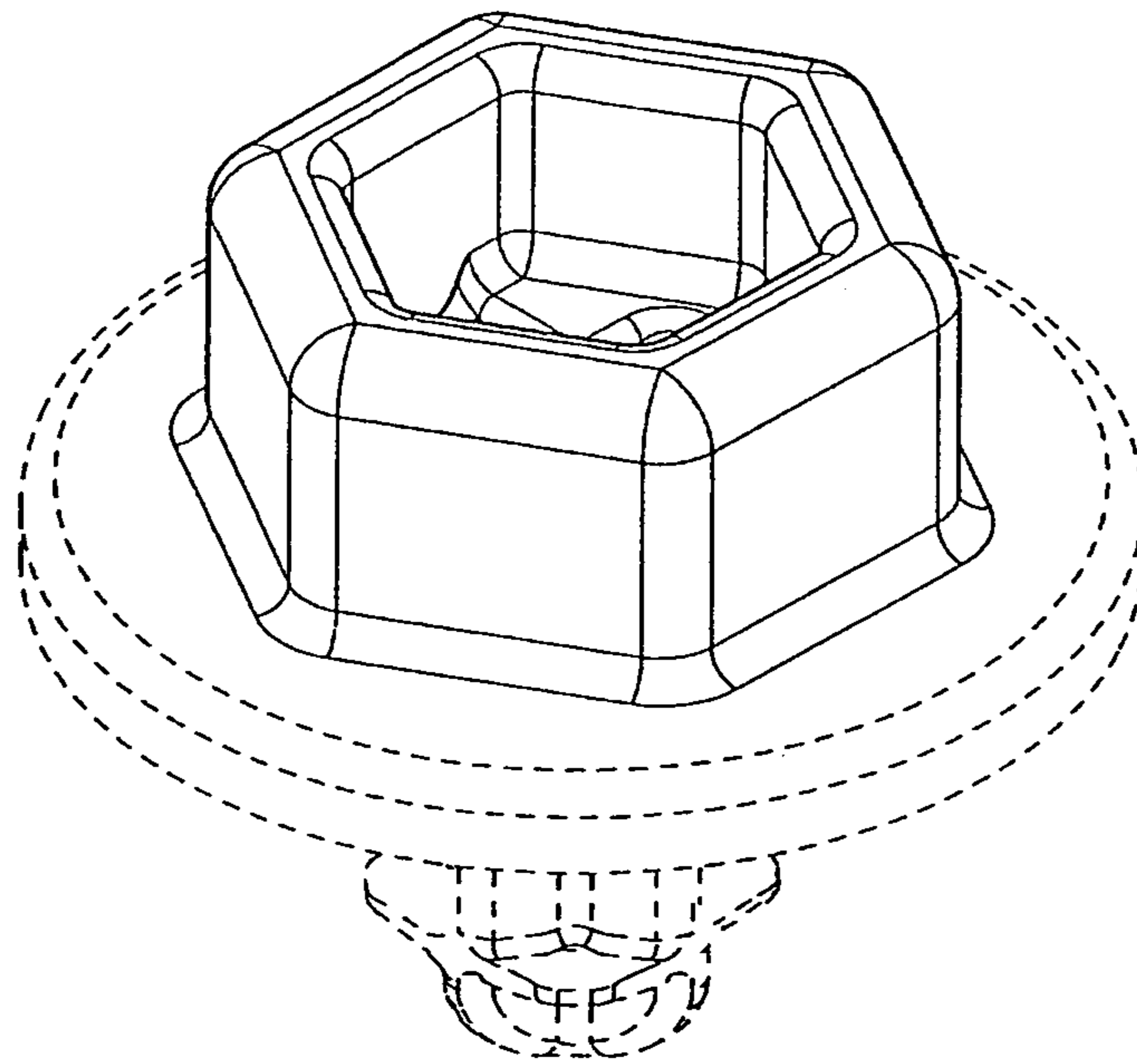


FIG. 2

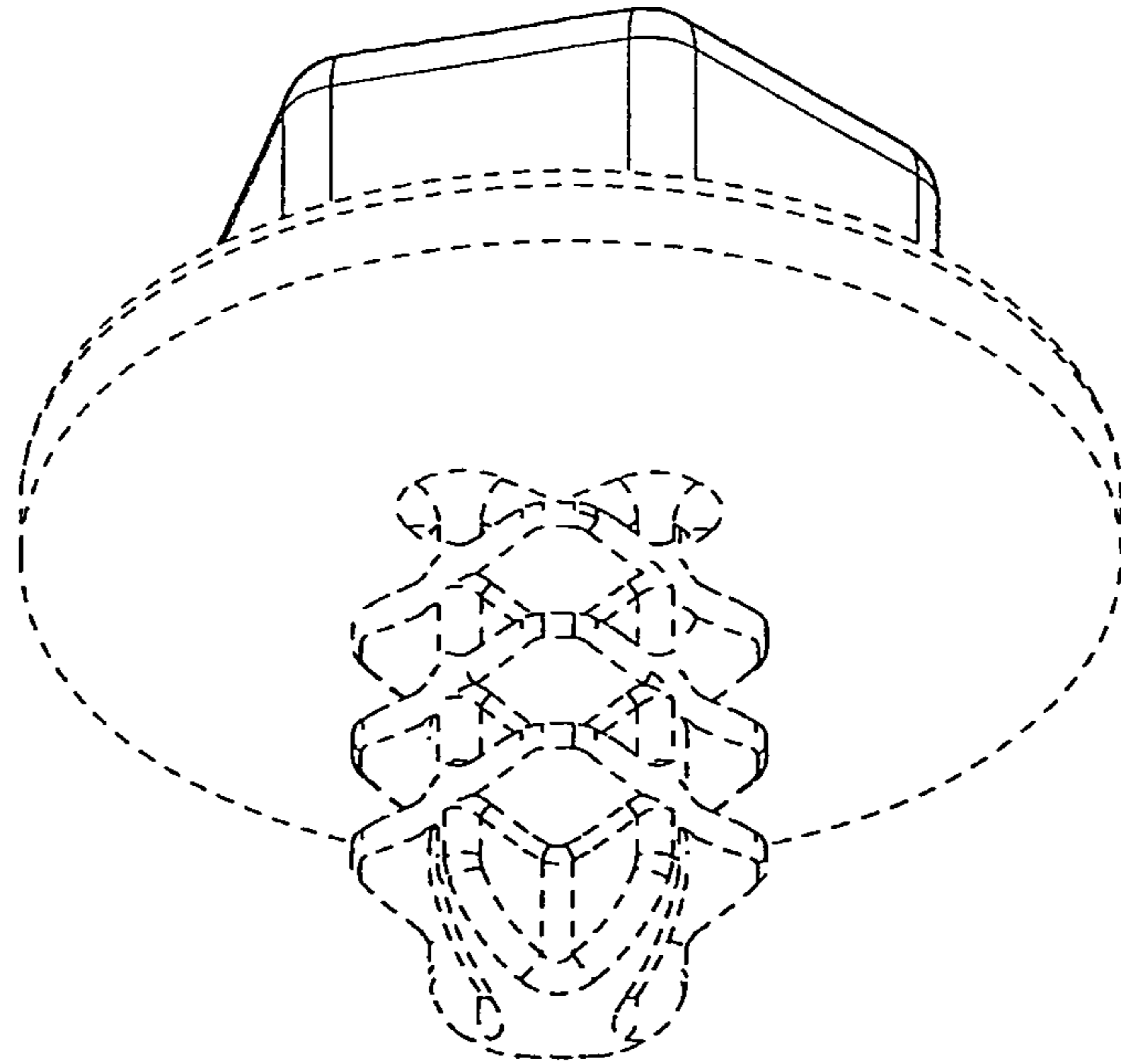


FIG. 3

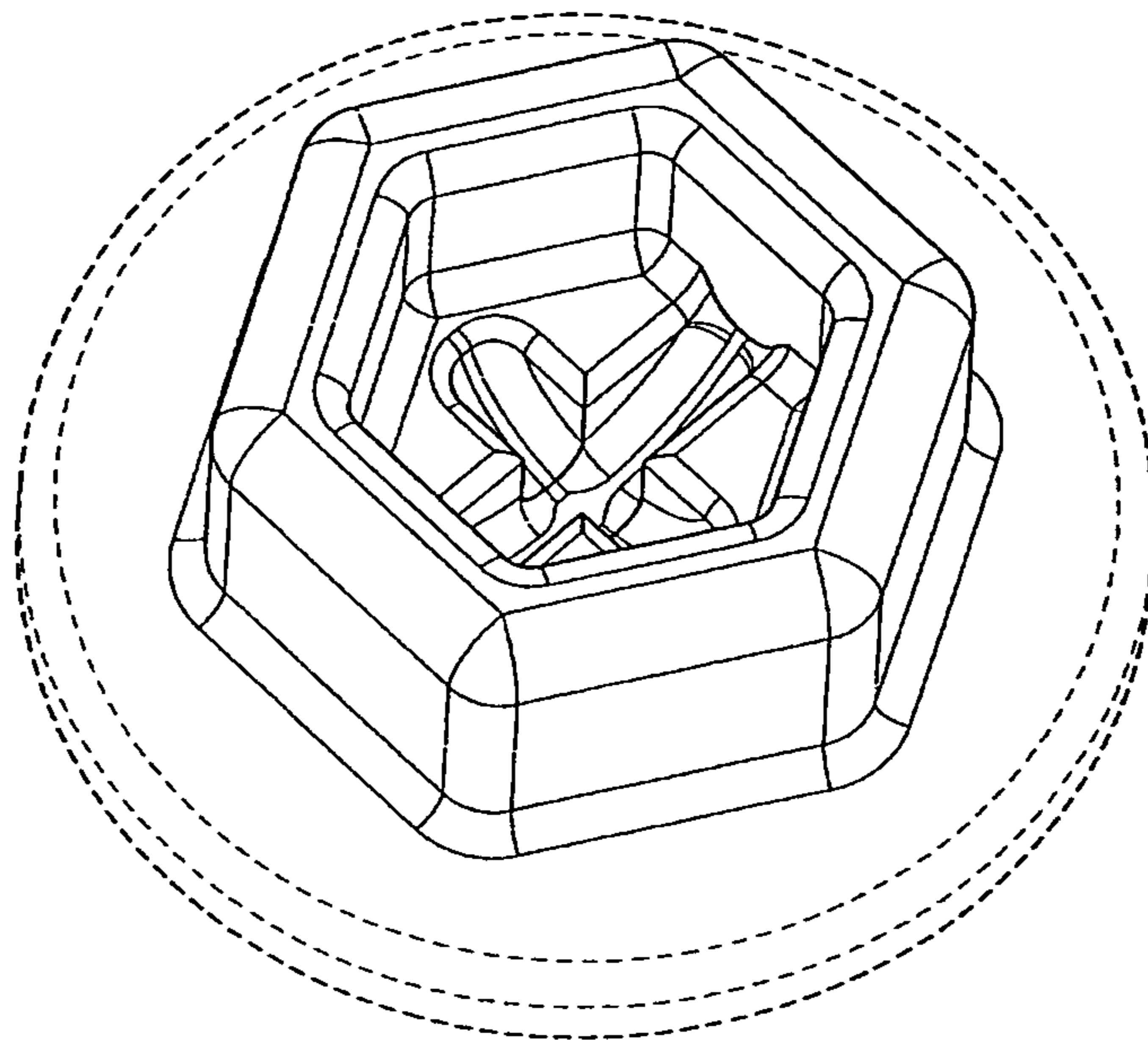


FIG. 4

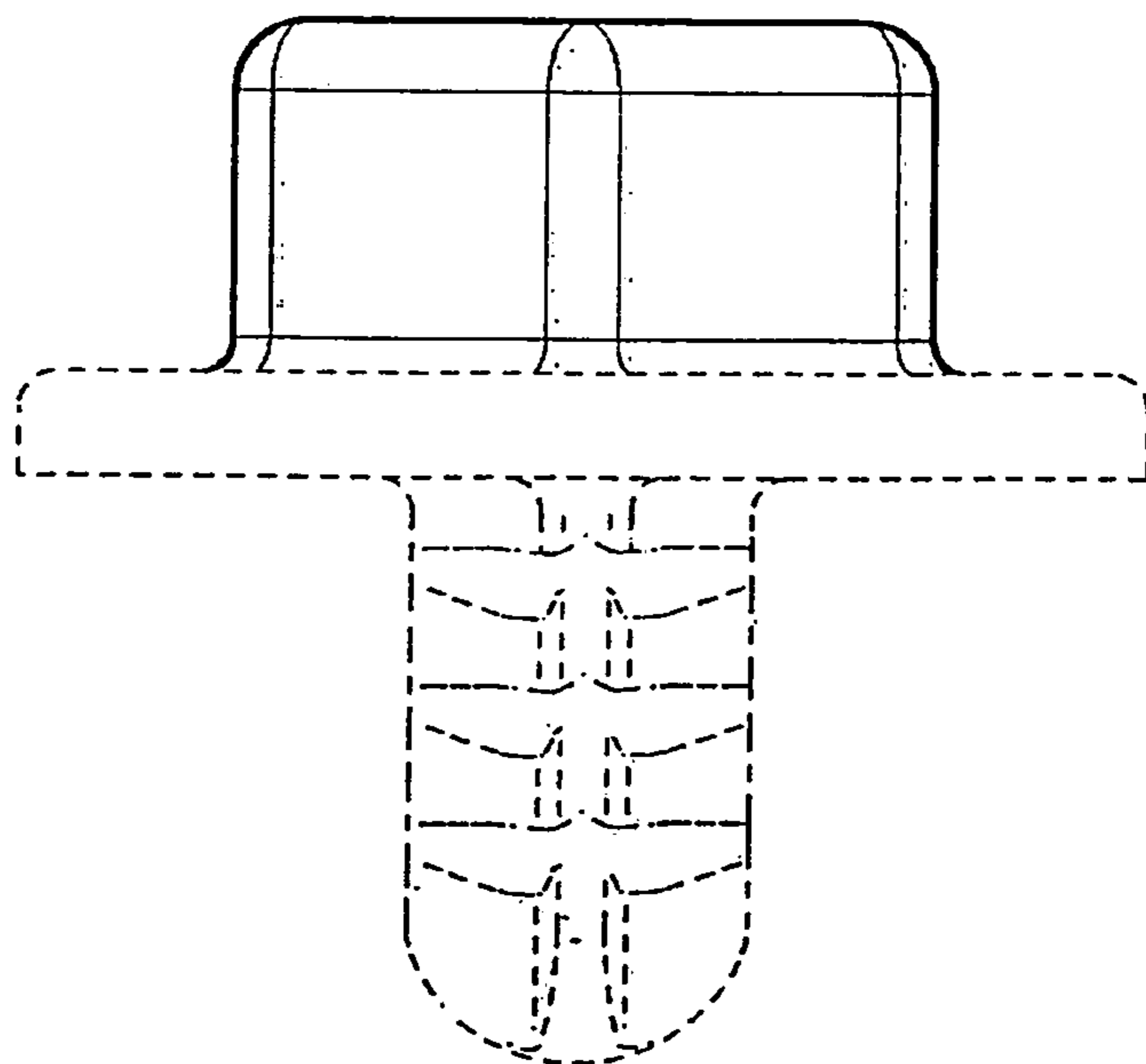


FIG. 5

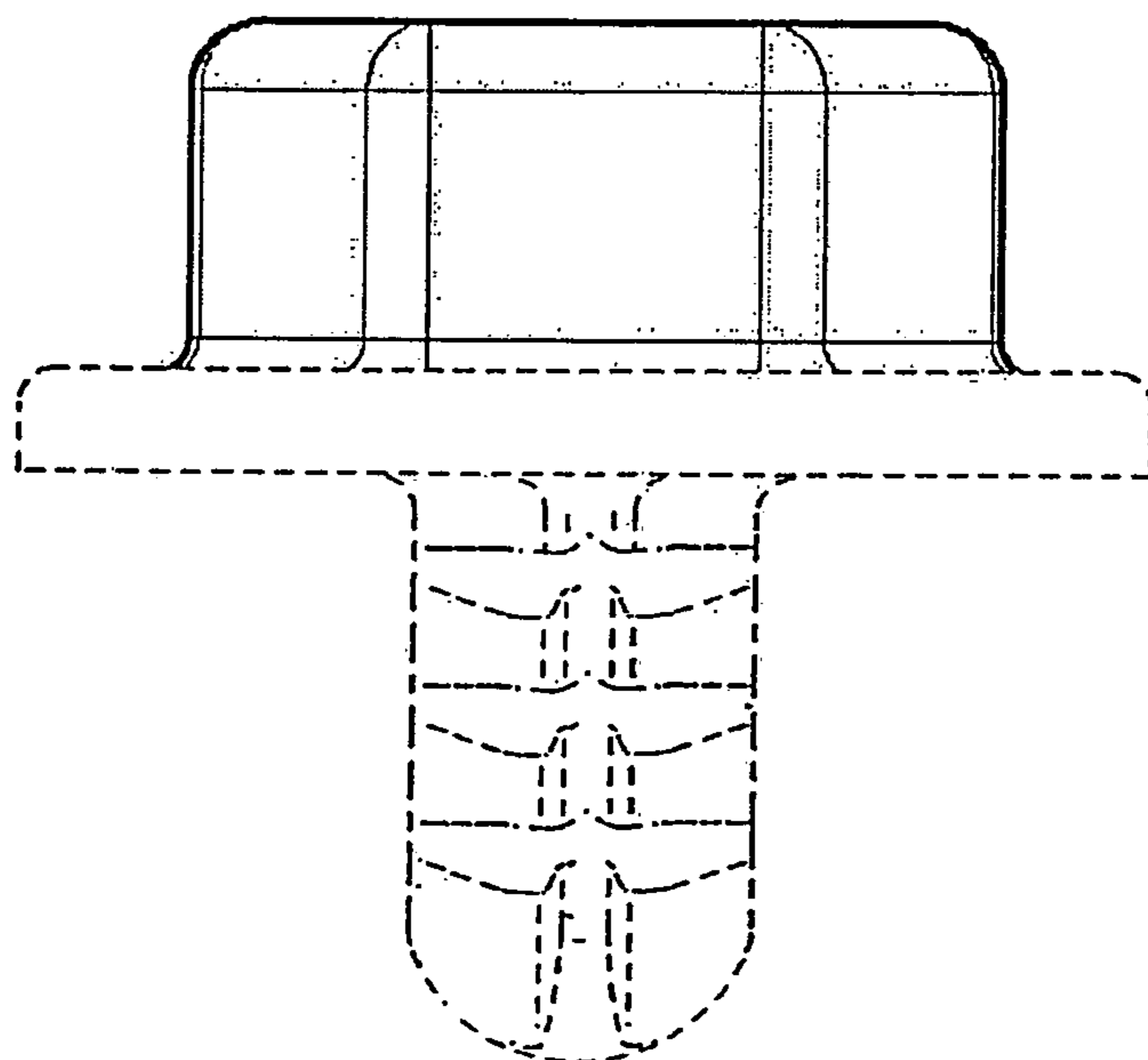


FIG. 6

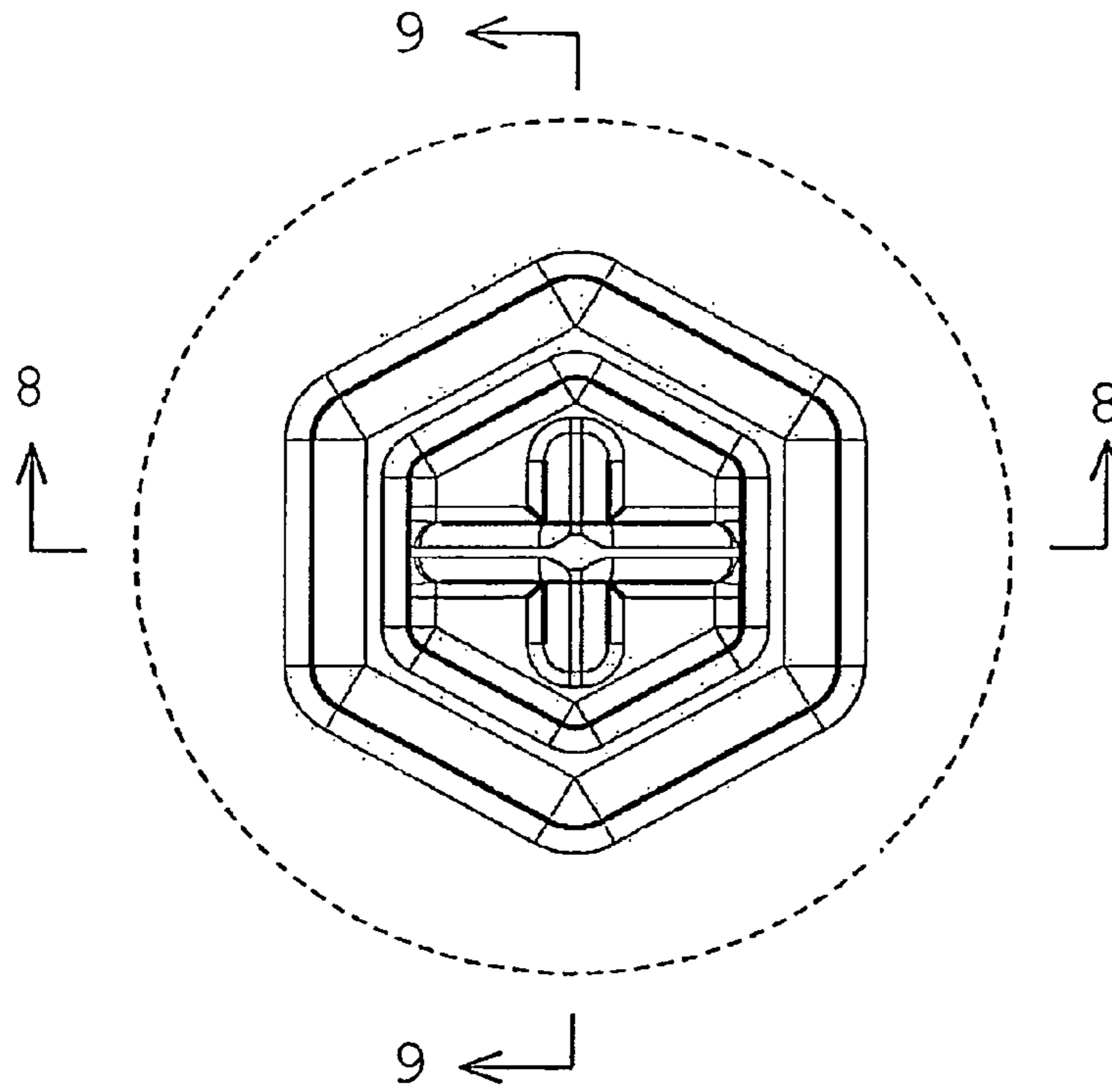


FIG. 7

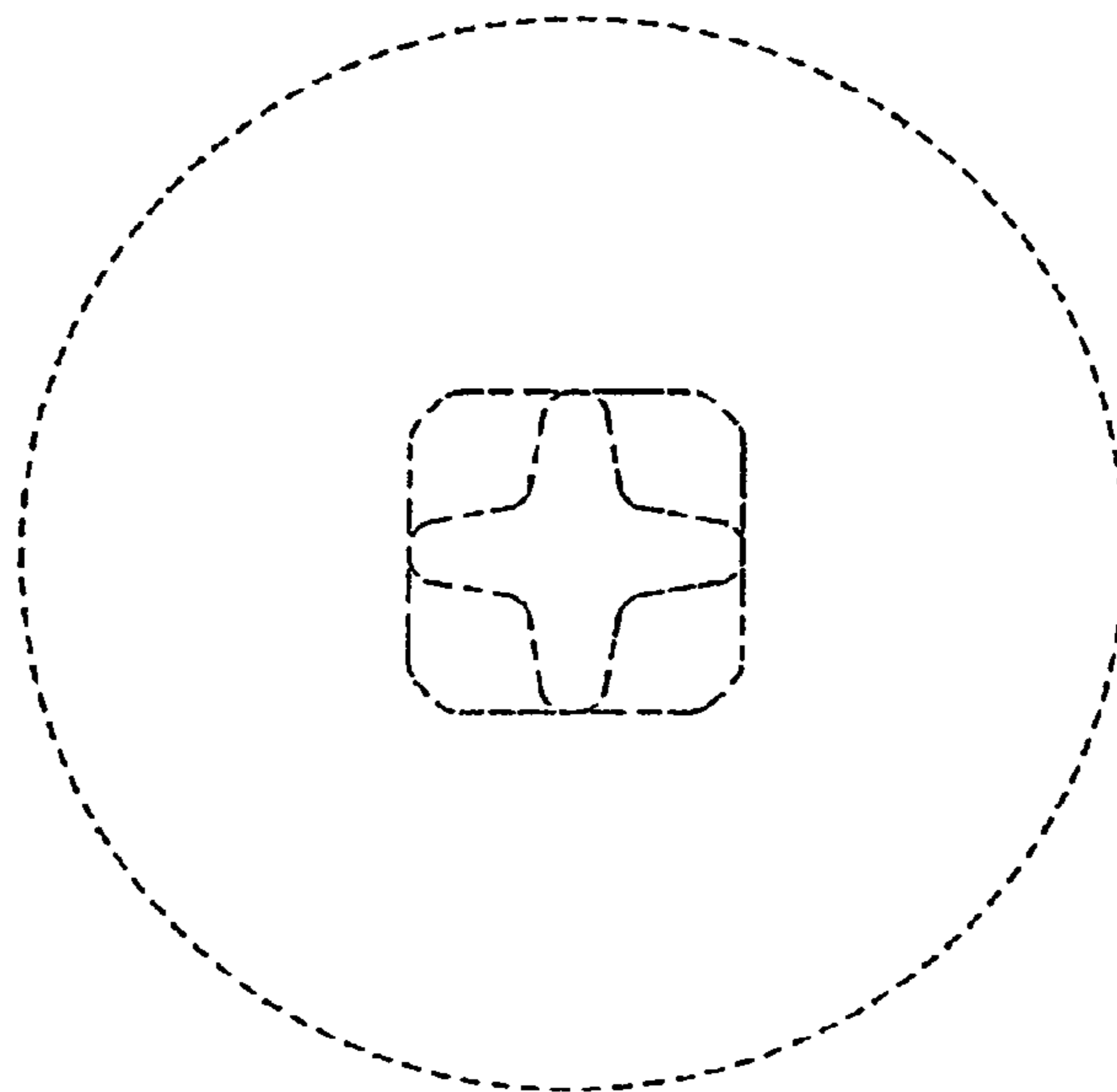


FIG. 8

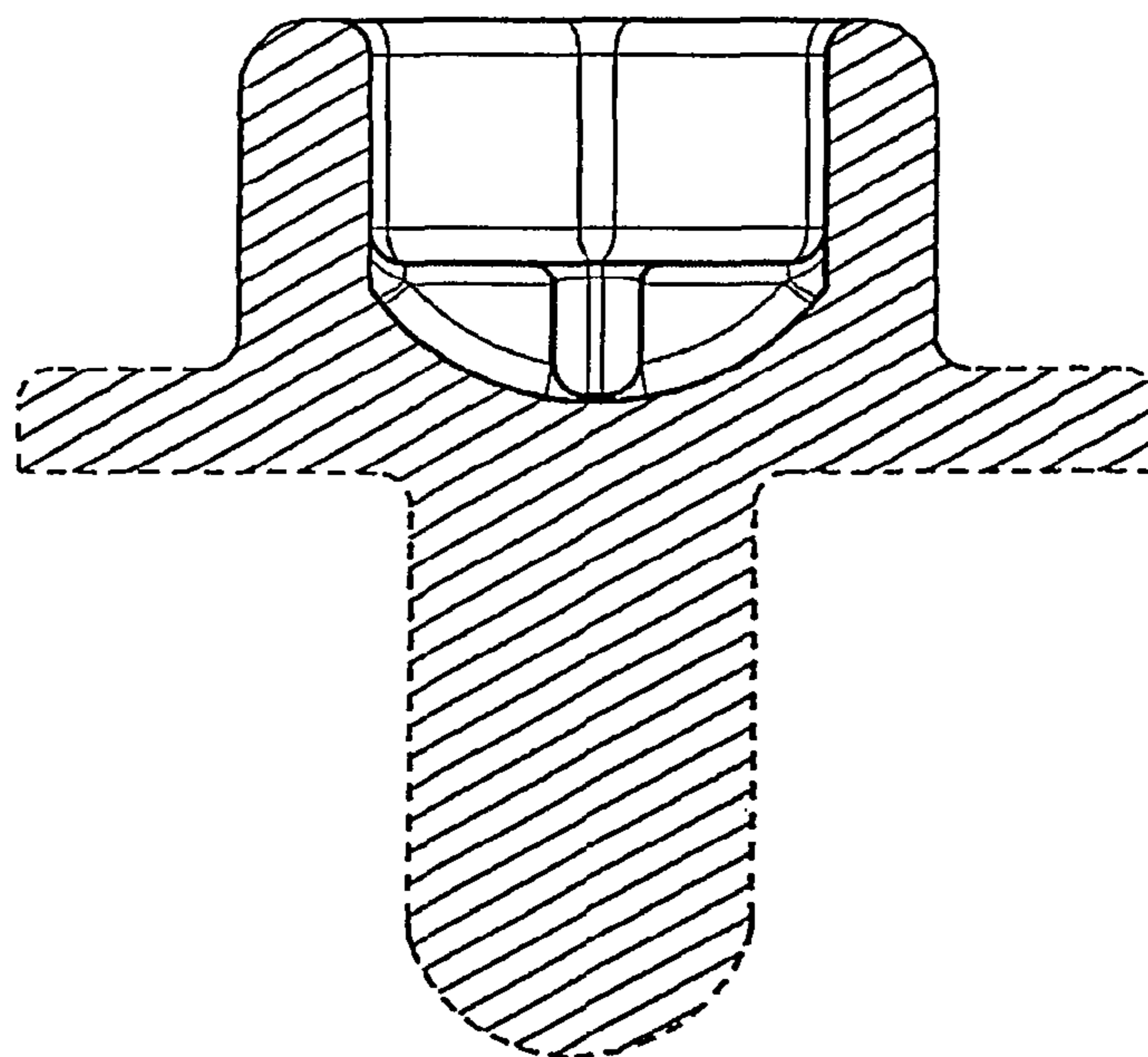


FIG. 9

