



US00D707113S

(12) **United States Design Patent**  
**Schraufnagel et al.**

(10) **Patent No.:** **US D707,113 S**  
(45) **Date of Patent:** **\*\* Jun. 17, 2014**

- (54) **HOOK**
- (71) Applicant: **Liberty Hardware Mfg. Corp.**,  
Winston-Salem, NC (US)
- (72) Inventors: **Natalie A. Schraufnagel**, Chicago, IL  
(US); **Adam W. Callif**, Chicago, IL (US)
- (73) Assignee: **Liberty Hardware Mfg. Corp.**,  
Winston-Salem, NC (US)
- (\*\*) Term: **14 Years**
- (21) Appl. No.: **29/472,247**
- (22) Filed: **Nov. 11, 2013**
- (51) **LOC (10) Cl.** ..... **08-05**
- (52) **U.S. Cl.**  
USPC ..... **D8/367**
- (58) **Field of Classification Search**  
USPC ..... D8/367, 354, 349, 373, 372, 370, 351,  
D8/365, 353, 377; D6/323; 248/301-304,  
248/339, 205.3; D11/233, 224, 219, 239,  
D11/158; D26/146  
See application file for complete search history.

5,832,572 A *	11/1998	Norrby	.....	24/600.9
D426,390 S *	6/2000	Green et al.	.....	D6/323
D430,791 S *	9/2000	Henry et al.	.....	D8/367
D446,158 S *	8/2001	Benjamin	.....	D11/158
D489,248 S *	5/2004	Hood	.....	D8/367
D499,008 S *	11/2004	Chang	.....	D8/370
D574,224 S *	8/2008	Zhang	.....	D8/372
D583,222 S *	12/2008	Rota	.....	D8/367
D647,390 S *	10/2011	Goodman et al.	.....	D8/372
D655,632 S *	3/2012	van der Lande	.....	D10/40
D666,081 S *	8/2012	Barry	.....	D8/367
D666,084 S *	8/2012	Rojas et al.	.....	D8/367
D669,767 S *	10/2012	Burley	.....	D8/370
D671,822 S *	12/2012	van der Lande	.....	D8/395
D674,635 S *	1/2013	van der Lande	.....	D6/534
D684,449 S *	6/2013	Frey	.....	D8/71

\* cited by examiner

*Primary Examiner* — Cynthia Underwood  
(74) *Attorney, Agent, or Firm* — Lora J. Graentzdoerffer

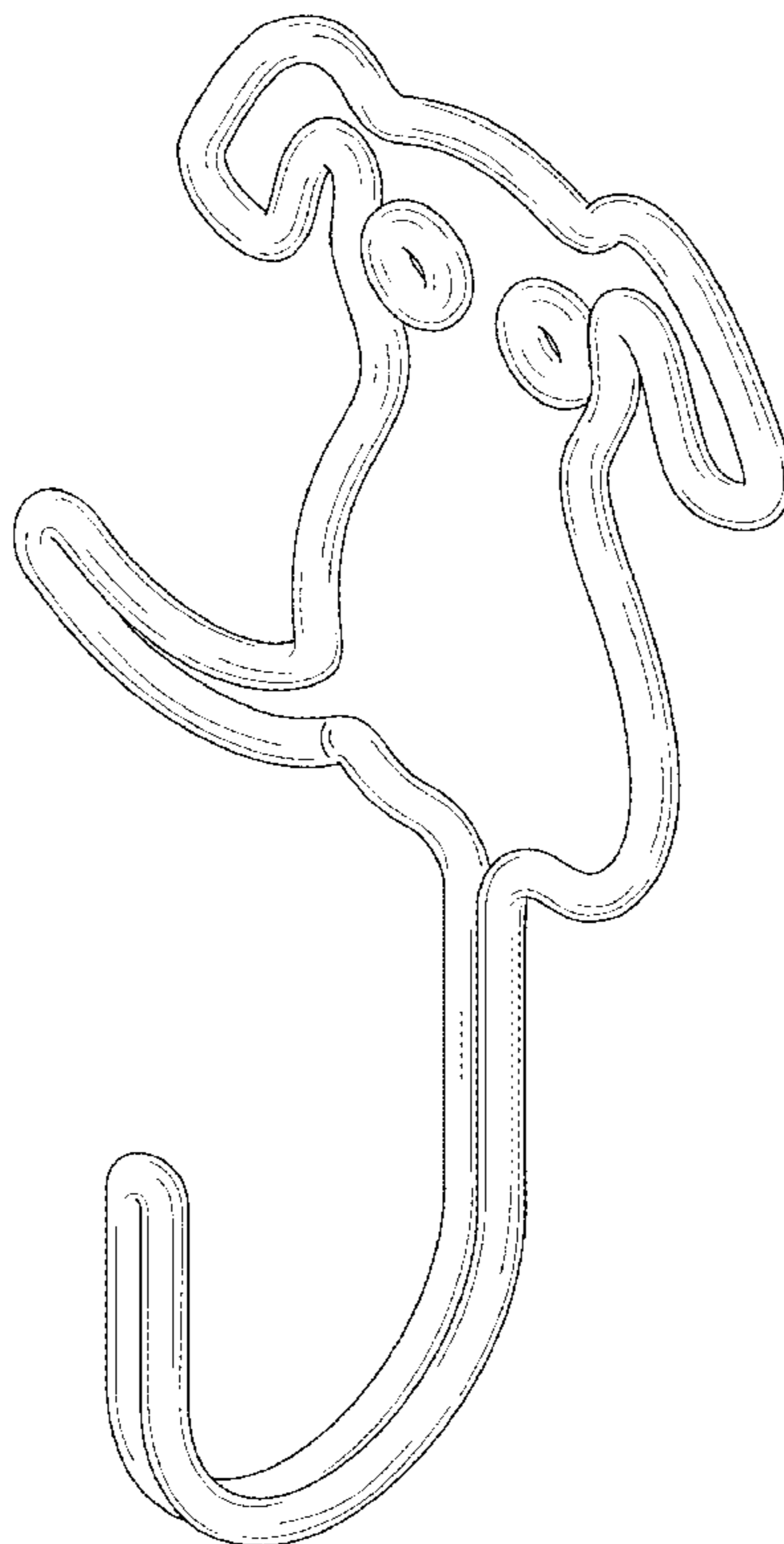
(57) **CLAIM**  
The ornamental design for a hook, as shown and described.

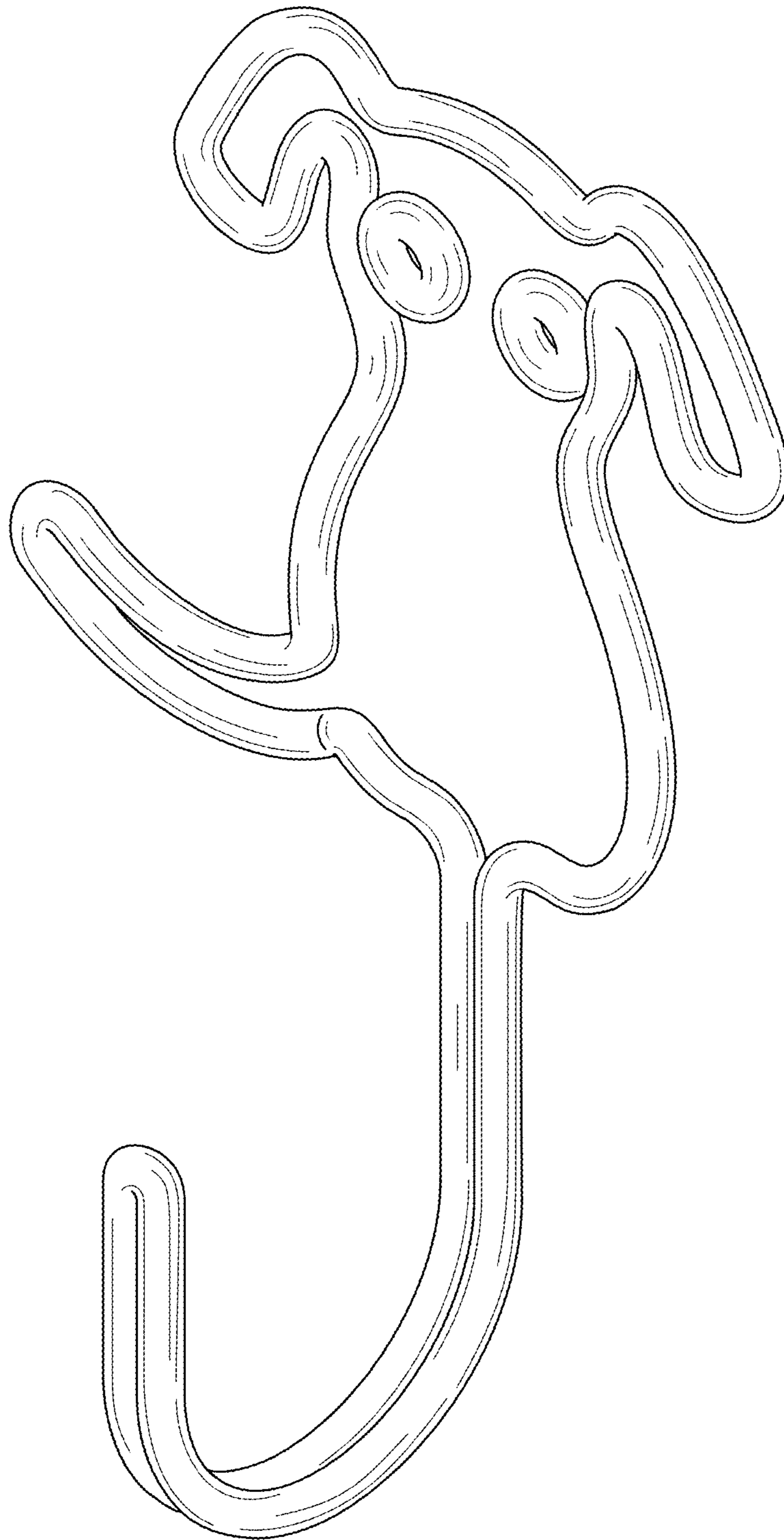
**DESCRIPTION**

FIG. 1 is a perspective view thereof;  
FIG. 2 is a front elevational view thereof;  
FIG. 3 is a rear elevational view thereof;  
FIG. 4 is a left side elevational view thereof;  
FIG. 5 is a right side elevational view thereof;  
FIG. 6 is a top plan view thereof; and,  
FIG. 7 is a bottom plan view thereof.

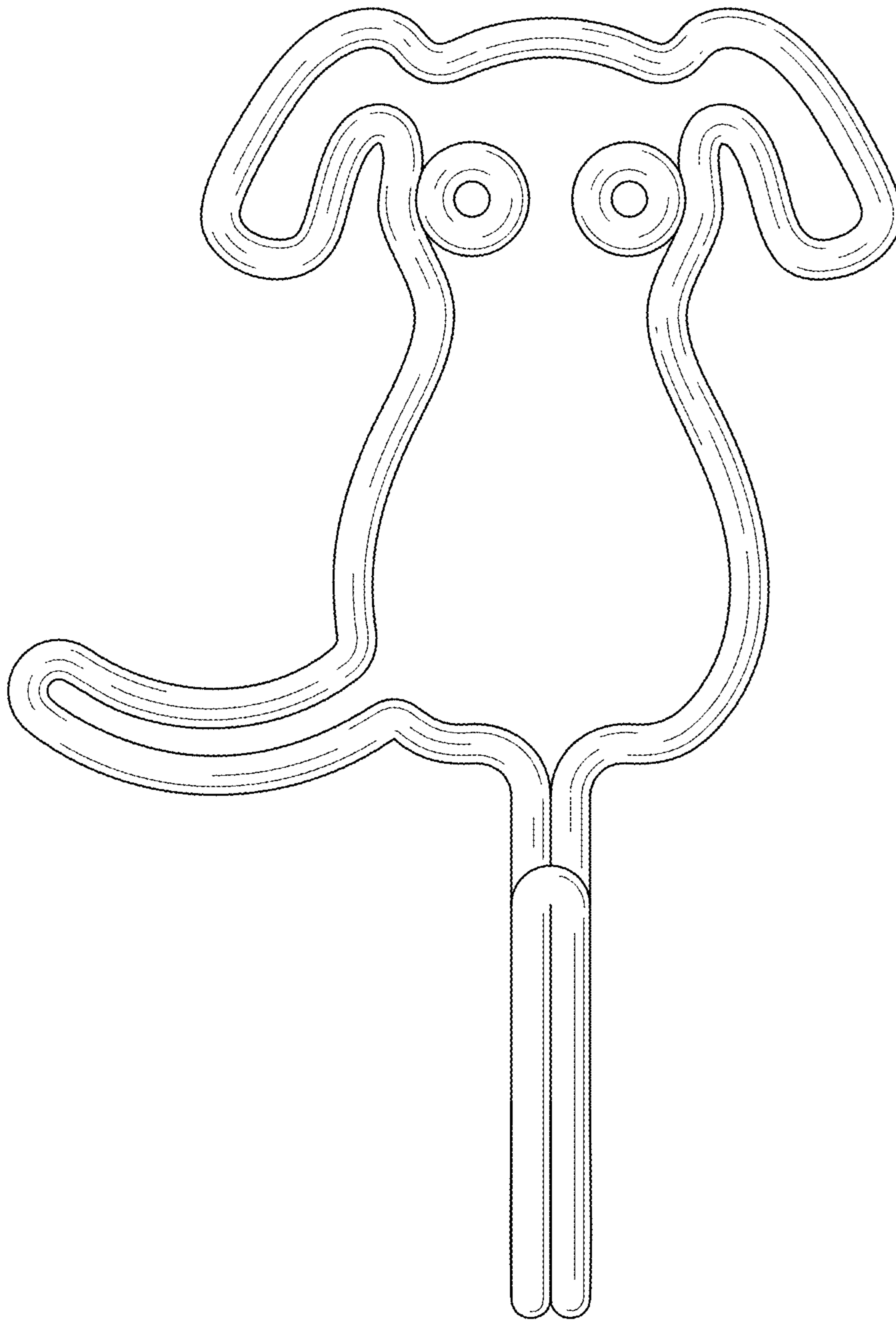
**1 Claim, 5 Drawing Sheets**

- (56) **References Cited**  
U.S. PATENT DOCUMENTS  
3,576,697 A \* 4/1971 Lorch ..... 428/15  
D237,734 S \* 11/1975 Roberts ..... D11/82  
4,464,440 A \* 8/1984 Dotzman ..... 428/542.4

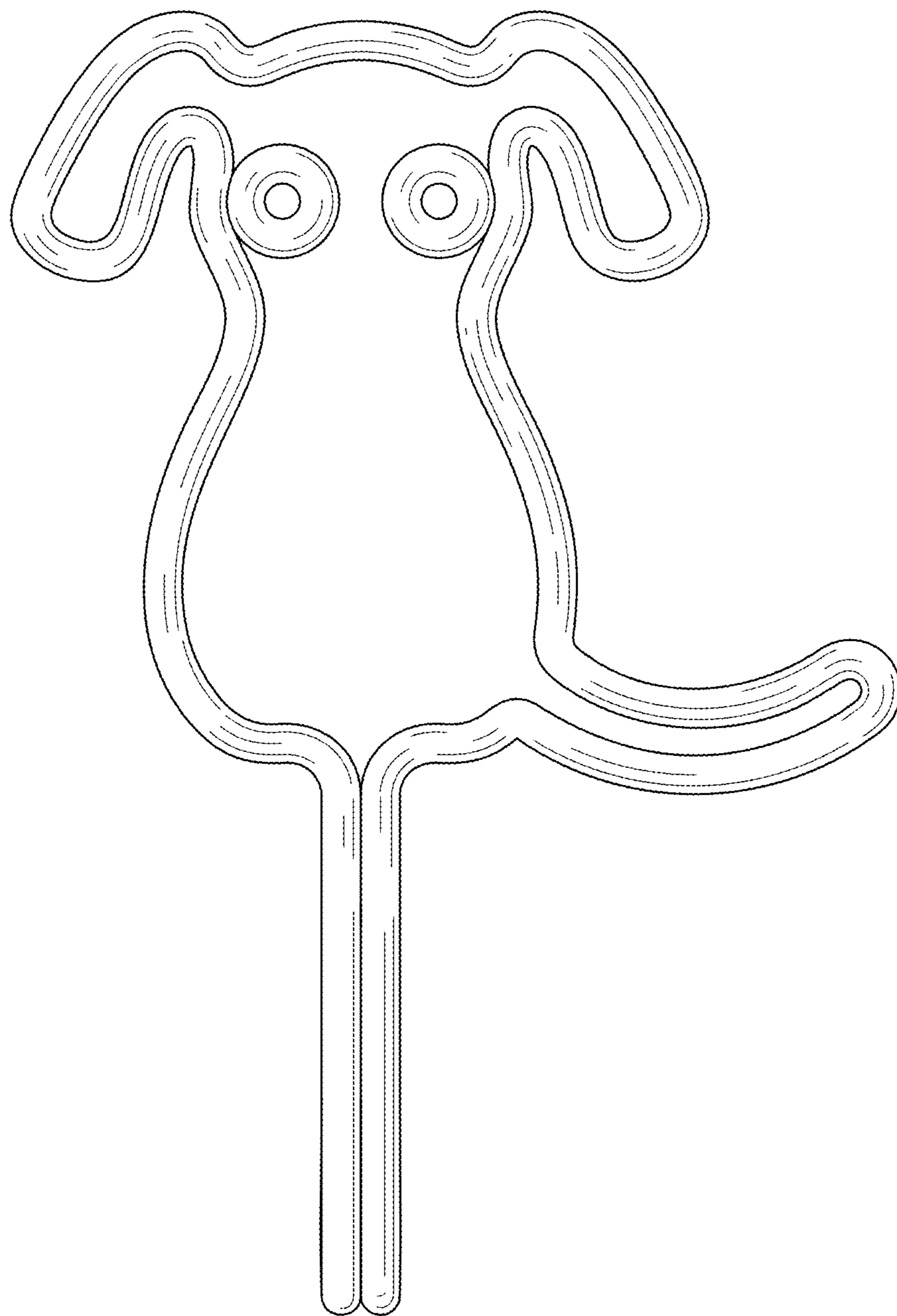




**FIG. 1**



**FIG. 2**



**FIG. 3**

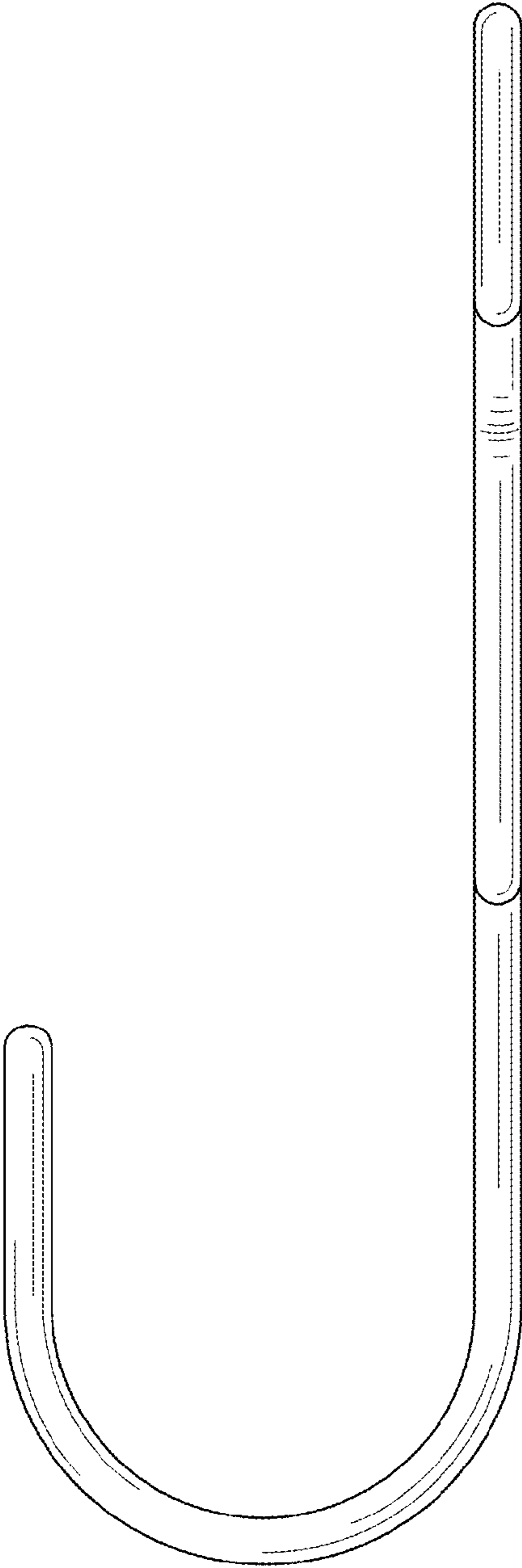


FIG. 4

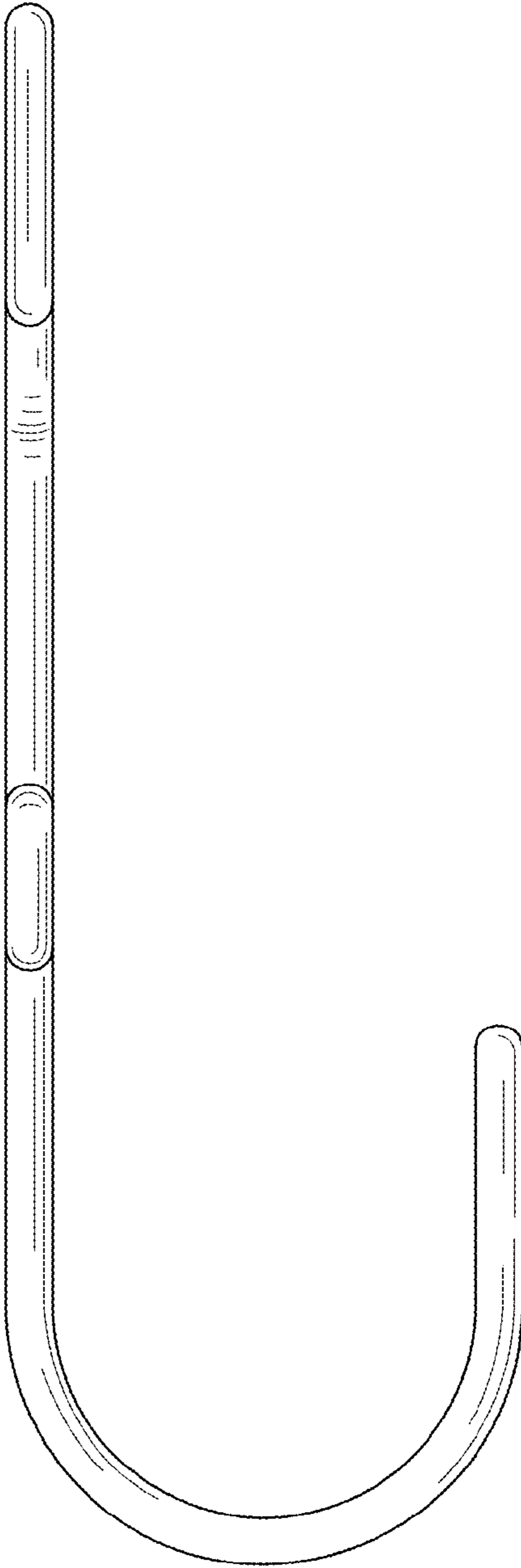
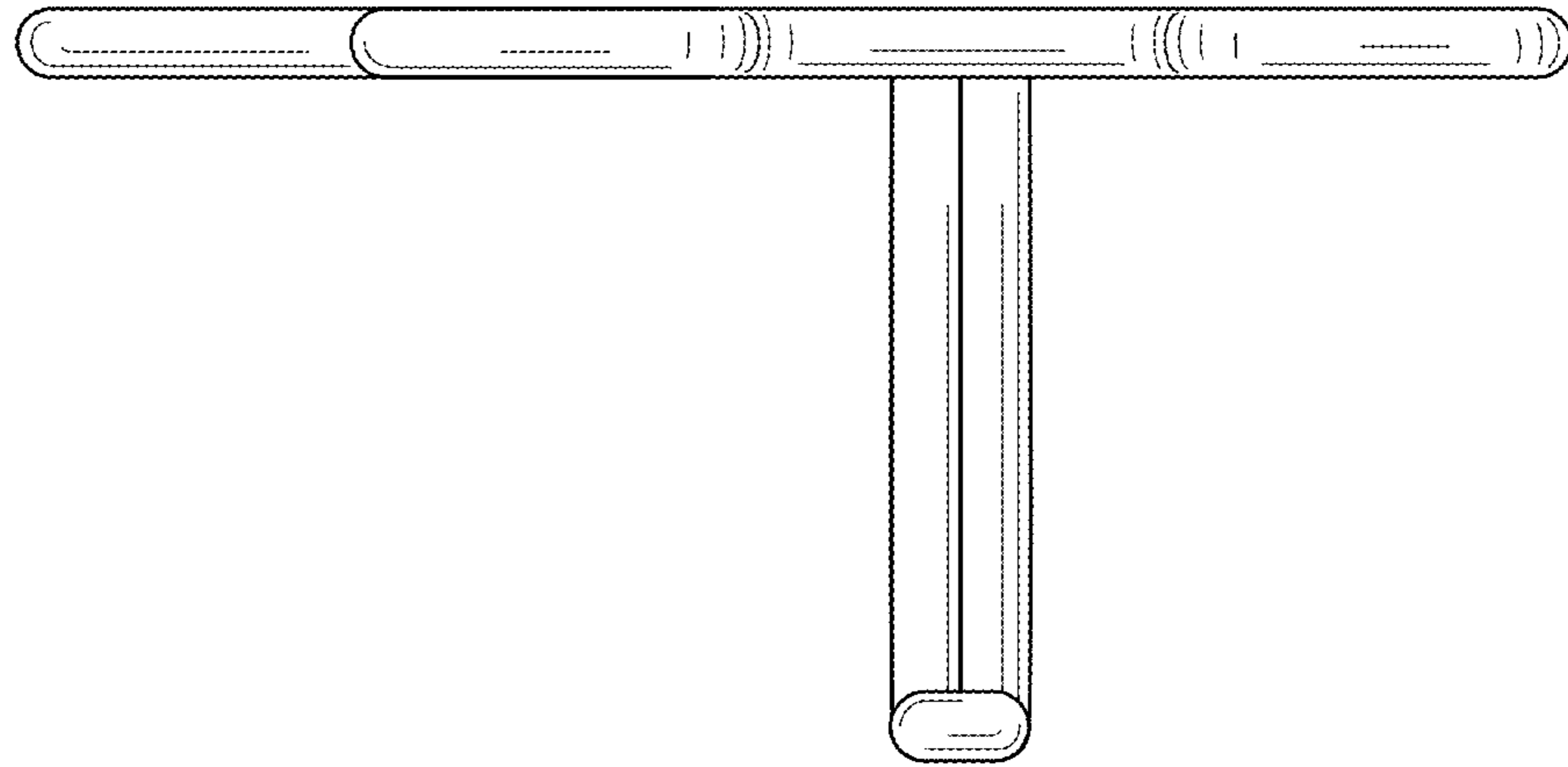
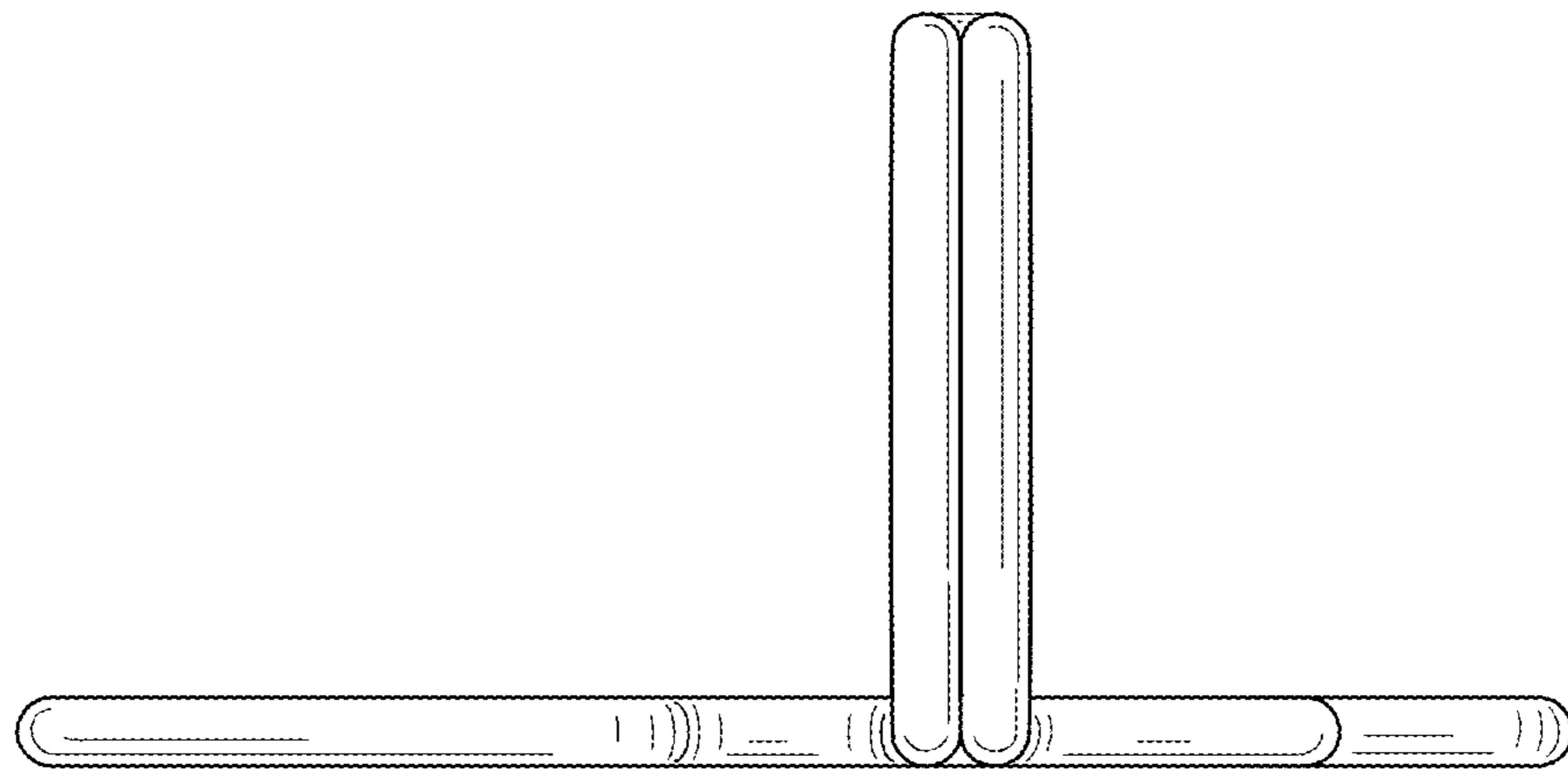


FIG. 5



**FIG. 6**



**FIG. 7**