



US00D707112S

(12) **United States Design Patent**
Schraufnagel et al.

(10) **Patent No.:** **US D707,112 S**
(45) **Date of Patent:** **** Jun. 17, 2014**

- (54) **HOOK**
- (71) Applicant: **Liberty Hardware Mfg. Corp.,**
Winston-Salem, NC (US)
- (72) Inventors: **Natalie A. Schraufnagel,** Chicago, IL
(US); **Adam W. Callif,** Chicago, IL (US)
- (73) Assignee: **Liberty Hardware Mfg. Corp.,**
Winston-Salem, NC (US)
- (**) Term: **14 Years**
- (21) Appl. No.: **29/472,242**
- (22) Filed: **Nov. 11, 2013**
- (51) **LOC (10) Cl.** **08-05**
- (52) **U.S. Cl.**
USPC **D8/367**
- (58) **Field of Classification Search**
USPC D8/367, 354, 349, 373, 372, 370, 351,
D8/365, 353, 377; D6/323; 248/301-304,
248/339, 205.3; D11/233, 224, 219, 239,
D11/158; D26/146
See application file for complete search history.

5,832,572 A *	11/1998	Norrby	24/600.9
D426,390 S *	6/2000	Green et al.	D6/323
D430,791 S *	9/2000	Henry et al.	D8/367
D446,158 S *	8/2001	Benjamin	D11/158
D489,248 S *	5/2004	Hood	D8/367
D499,008 S *	11/2004	Chang	D8/370
D574,224 S *	8/2008	Zhang	D8/372
D583,222 S *	12/2008	Rota	D8/367
D647,390 S *	10/2011	Goodman et al.	D8/372
D655,632 S *	3/2012	van der Lande	D10/40
D666,081 S *	8/2012	Barry	D8/367
D666,084 S *	8/2012	Rojas et al.	D8/367
D669,767 S *	10/2012	Burley	D8/370
D671,822 S *	12/2012	van der Lande	D8/395
D674,635 S *	1/2013	van der Lande	D6/534
D684,449 S *	6/2013	Frey	D8/71

* cited by examiner

Primary Examiner — Cynthia Underwood

(74) *Attorney, Agent, or Firm* — Lora J. Graentzdoerffer

(57) **CLAIM**

The ornamental design for a hook, as shown and described.

DESCRIPTION

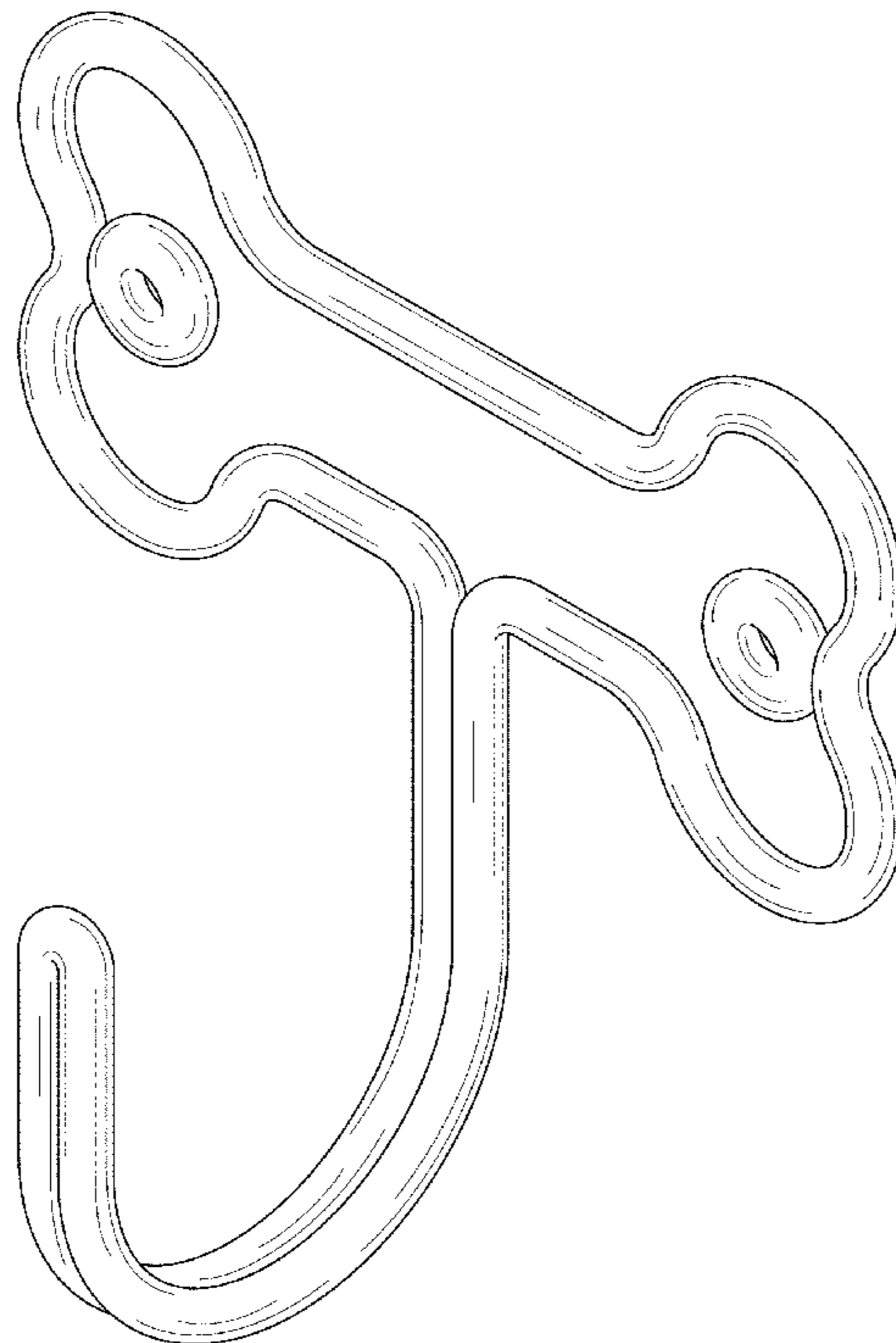
FIG. 1 is a perspective view thereof;
 FIG. 2 is a front elevational view thereof;
 FIG. 3 is a rear elevational view thereof;
 FIG. 4 is a left side elevational view thereof;
 FIG. 5 is a right side elevational view thereof;
 FIG. 6 is a top plan view thereof; and,
 FIG. 7 is a bottom plan view thereof.

1 Claim, 6 Drawing Sheets

(56) **References Cited**

U.S. PATENT DOCUMENTS

3,576,697 A *	4/1971	Lorch	428/15
D237,734 S *	11/1975	Roberts	D11/82
4,464,440 A *	8/1984	Dotzman	428/542.4



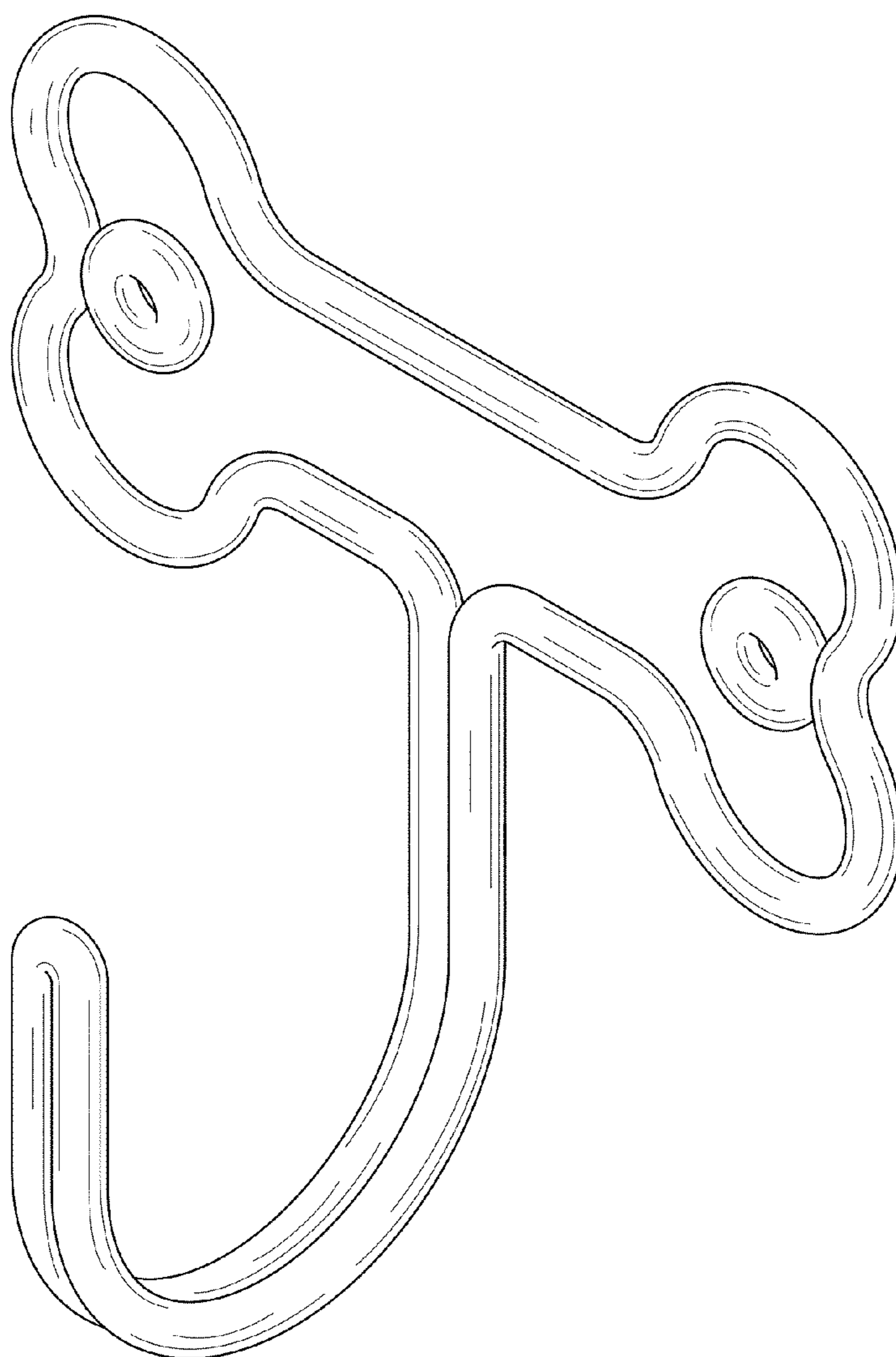


FIG. 1

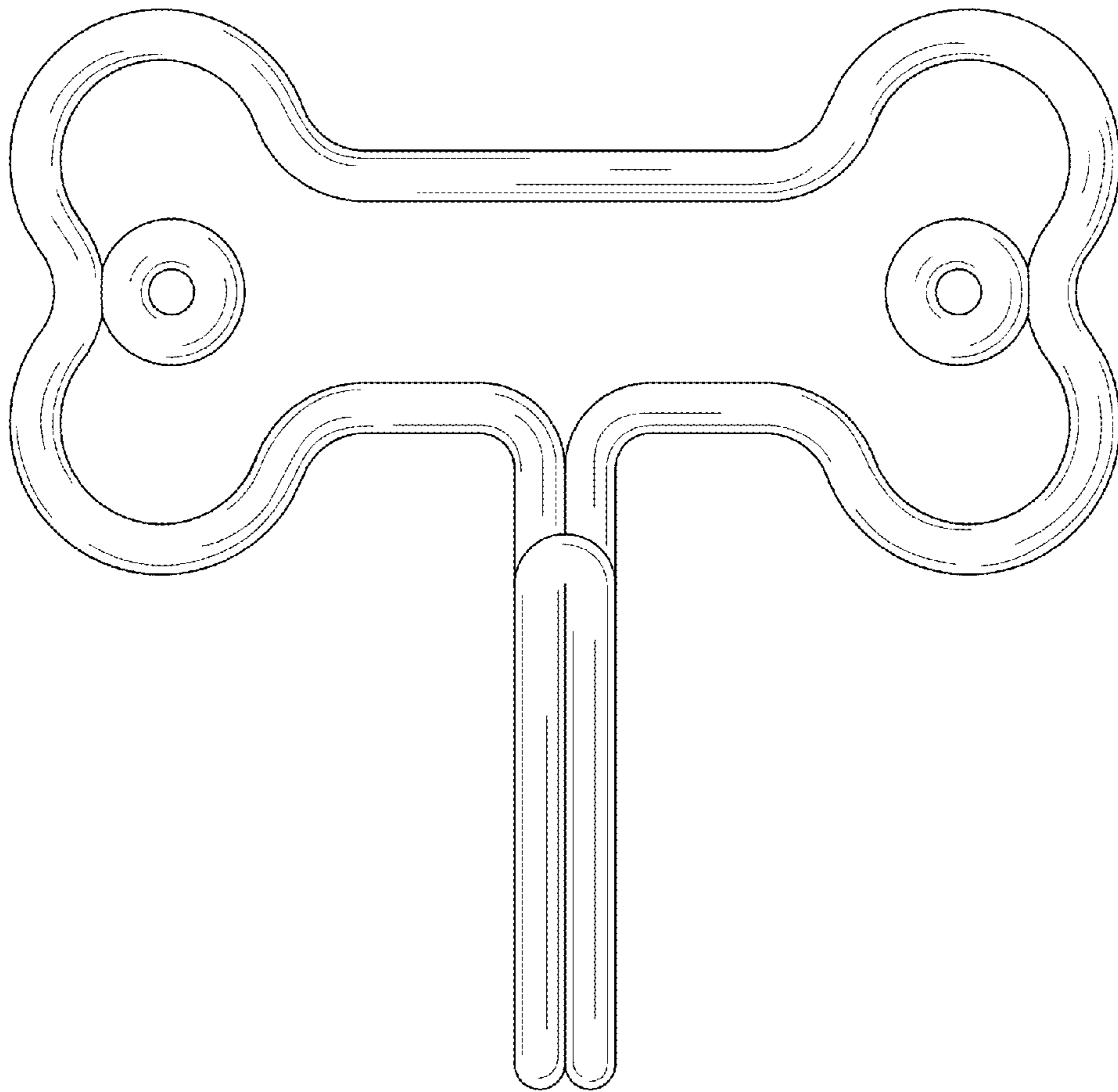


FIG. 2

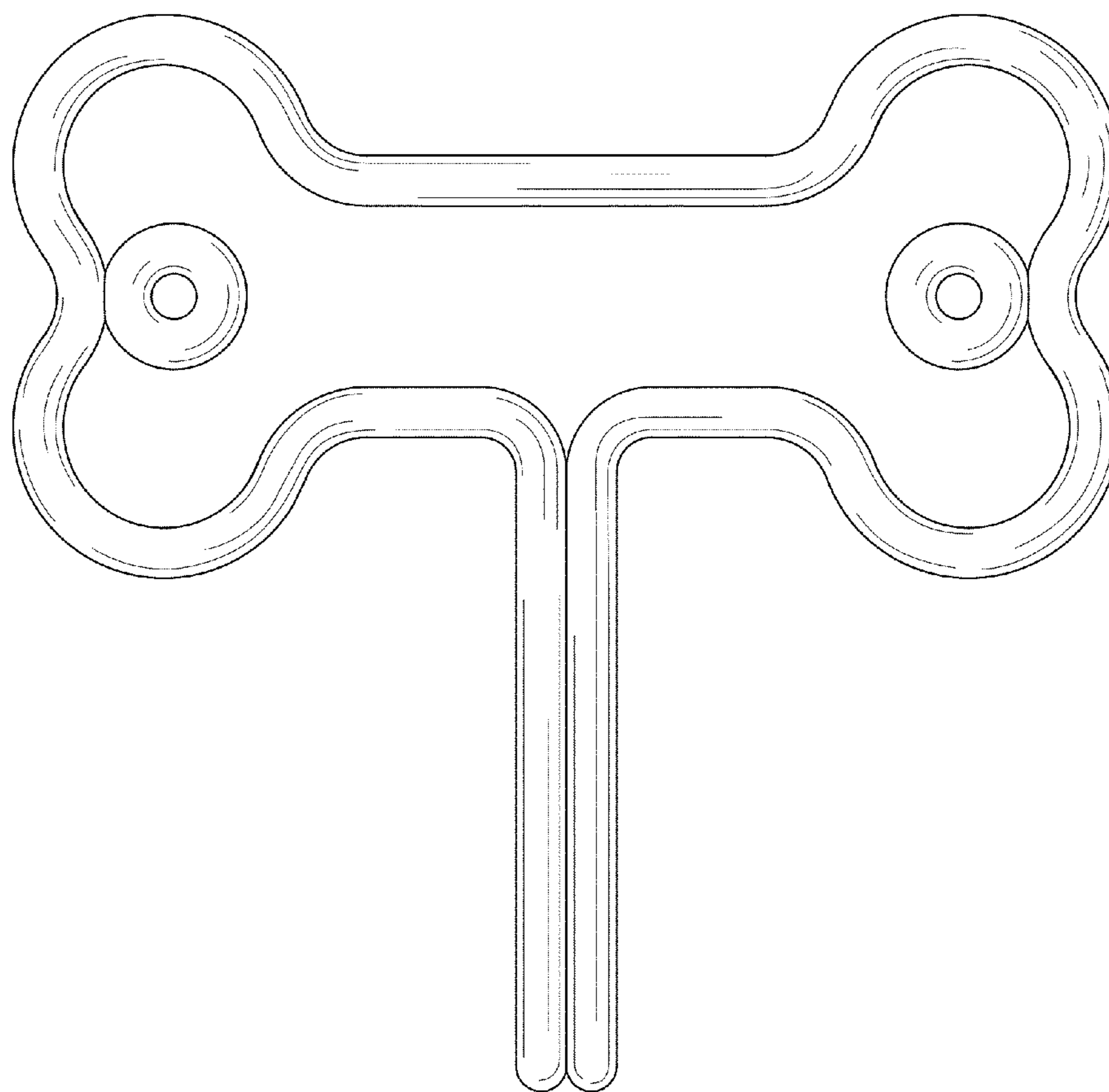


FIG. 3

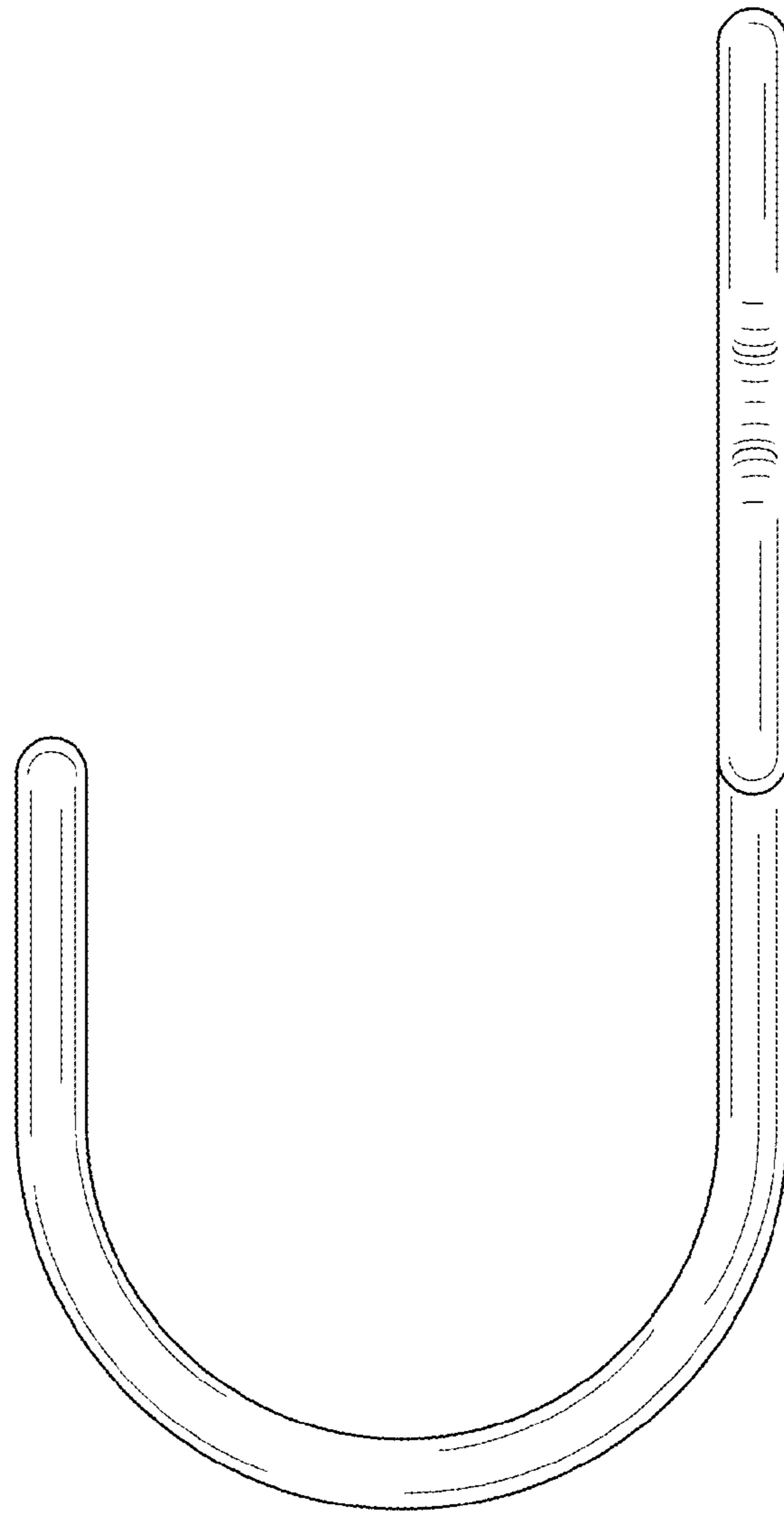


FIG. 4

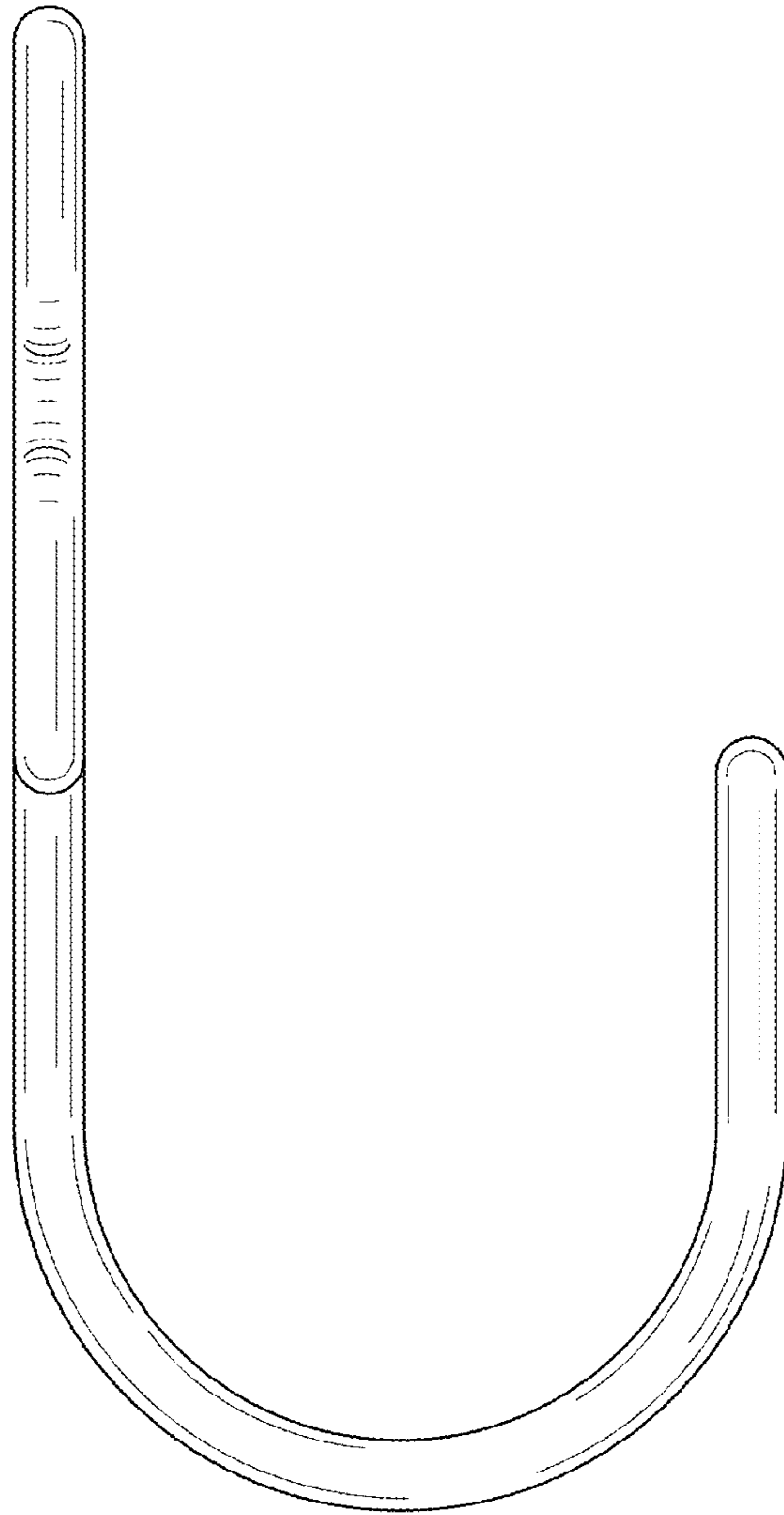


FIG. 5

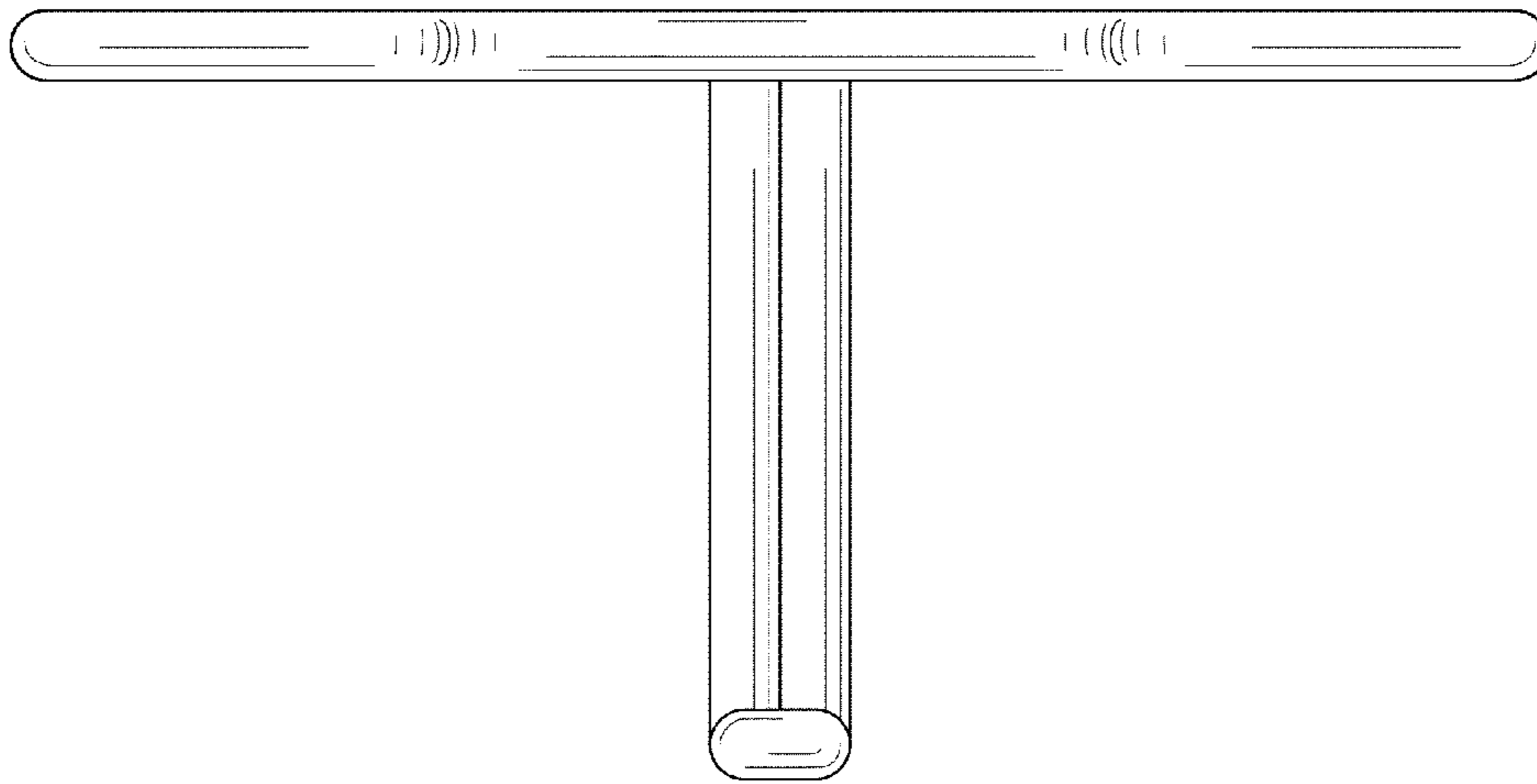


FIG. 6

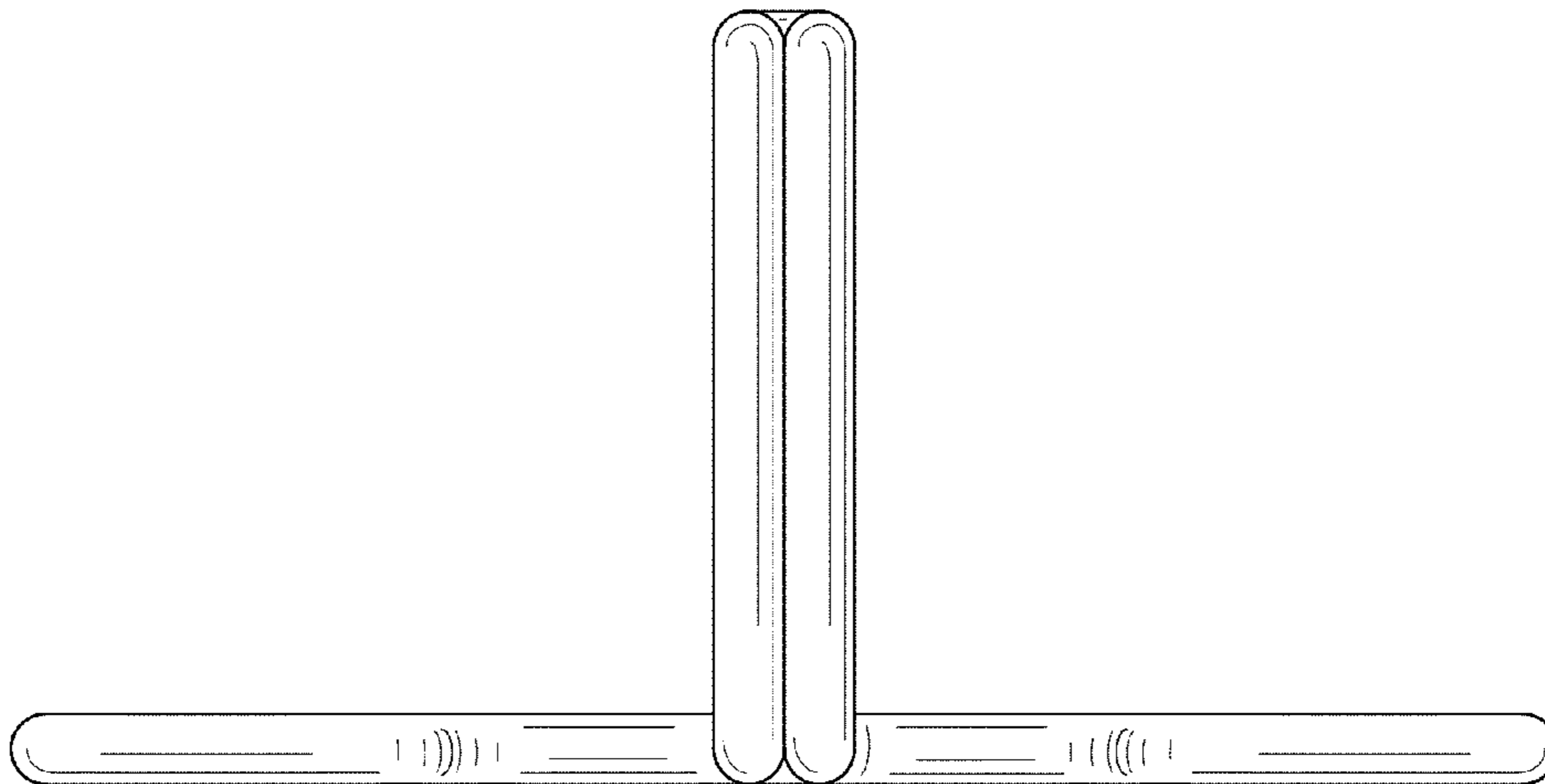


FIG. 7