



US00D707111S

(12) **United States Design Patent**
Callif et al.

(10) **Patent No.:** **US D707,111 S**
(45) **Date of Patent:** **** Jun. 17, 2014**

(54) **HOOK**

(71) Applicant: **Liberty Hardware Mfg. Corp.**,
Winston-Salem, NC (US)

(72) Inventors: **Adam W. Callif**, Chicago, IL (US);
Natalie A. Schraufnagel, Chicago, IL
(US)

(73) Assignee: **Liberty Hardware Mfg. Corp.**,
Winston-Salem, NC (US)

(**) Term: **14 Years**

(21) Appl. No.: **29/472,240**

(22) Filed: **Nov. 11, 2013**

(51) **LOC (10) Cl.** **08-05**

(52) **U.S. Cl.**
USPC **D8/367**

(58) **Field of Classification Search**
USPC D8/367, 354, 349, 373, 372, 370, 351,
D8/365, 353, 377; D6/323; 248/301-304,
248/339, 205.3; D11/233, 224, 219, 239,
D11/158; D26/146
See application file for complete search history.

(56) **References Cited**

U.S. PATENT DOCUMENTS

4,464,440	A	*	8/1984	Dotzman	428/542.4
5,832,572	A	*	11/1998	Norrby	24/600.9
D426,390	S	*	6/2000	Green et al.	D6/323
D430,791	S	*	9/2000	Henry et al.	D8/367
D446,158	S	*	8/2001	Benjamin	D11/158

D489,248	S	*	5/2004	Hood	D8/367
D499,008	S	*	11/2004	Chang	D8/370
D566,532	S	*	4/2008	Wolff	D8/367
D574,224	S	*	8/2008	Zhang	D8/372
D583,222	S	*	12/2008	Rota	D8/367
D647,389	S	*	10/2011	Gracia	D8/367
D647,390	S	*	10/2011	Goodman et al.	D8/372
D655,632	S	*	3/2012	van der Lande	D10/40
D666,081	S	*	8/2012	Barry	D8/367
D666,084	S	*	8/2012	Rojas et al.	D8/367
D669,767	S	*	10/2012	Burley	D8/370
D671,822	S	*	12/2012	van der Lande	D8/395
D672,636	S	*	12/2012	Krumpe	D8/367
D674,635	S	*	1/2013	van der Lande	D6/534
D682,663	S	*	5/2013	Evon	D8/367
D684,449	S	*	6/2013	Frey	D8/71

* cited by examiner

Primary Examiner — Cynthia Underwood

(74) *Attorney, Agent, or Firm* — Lora J. Graentzdoerffer

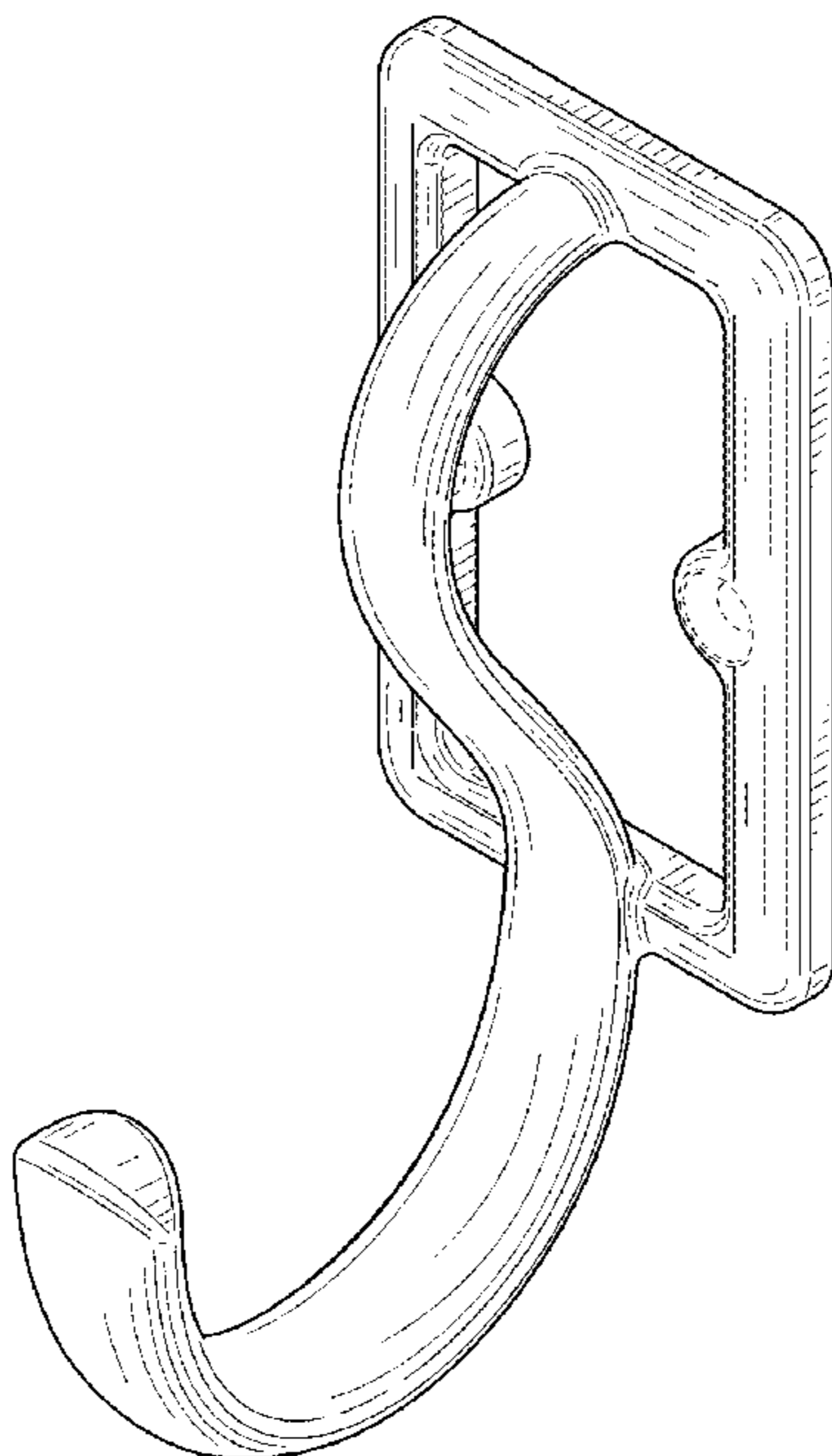
(57) **CLAIM**

The ornamental design for a hook, as shown and described.

DESCRIPTION

FIG. 1 is a perspective view thereof;
FIG. 2 is a front elevational view thereof;
FIG. 3 is a rear elevational view thereof;
FIG. 4 is a left side elevational view thereof;
FIG. 5 is a right side elevational view thereof;
FIG. 6 is a top plan view thereof; and,
FIG. 7 is a bottom plan view thereof.
The broken-line disclosure in the views represents portions of the article in which the claimed design is embodied, but which form no part of the claimed design.

1 Claim, 5 Drawing Sheets



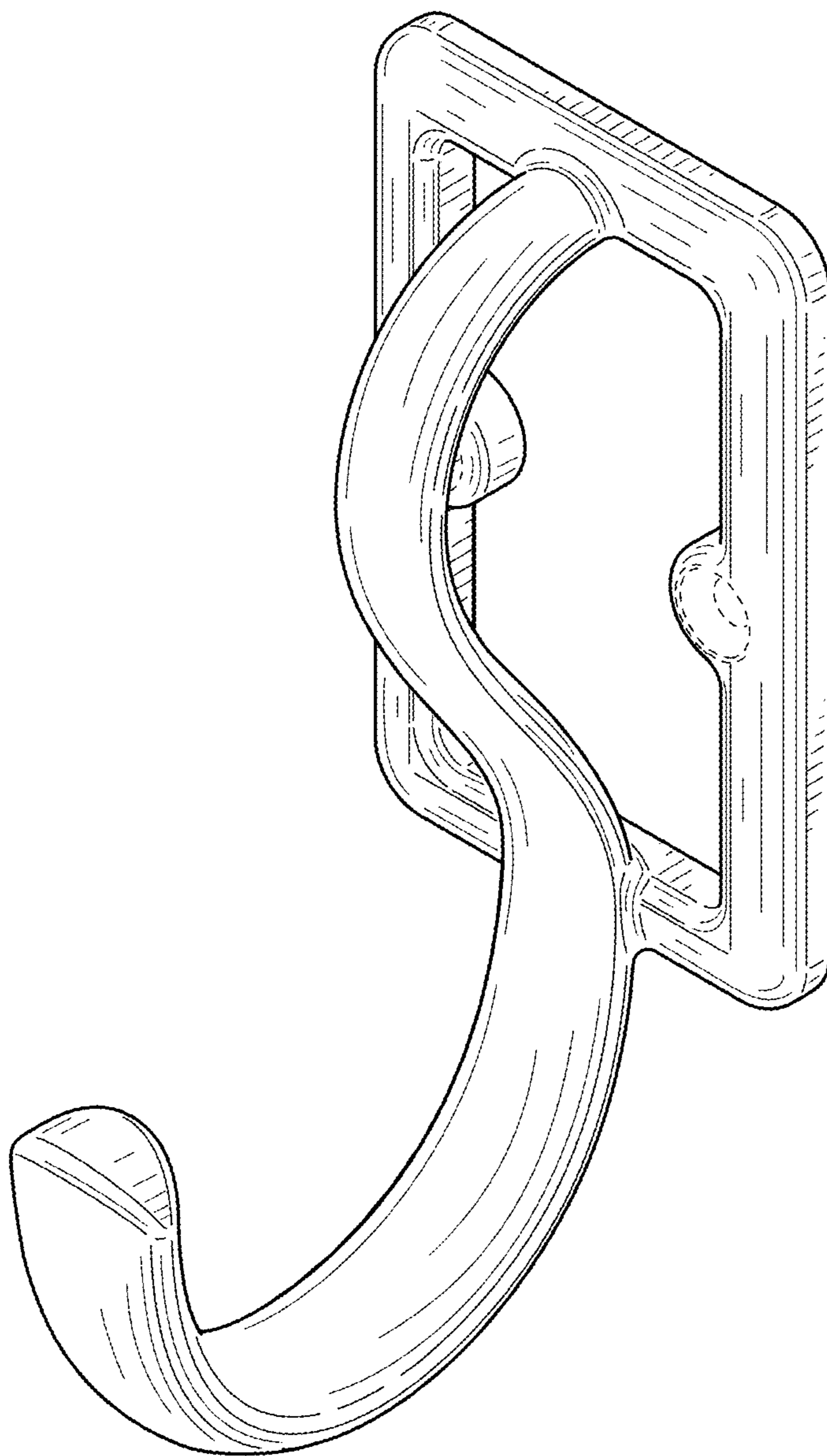


FIG. 1

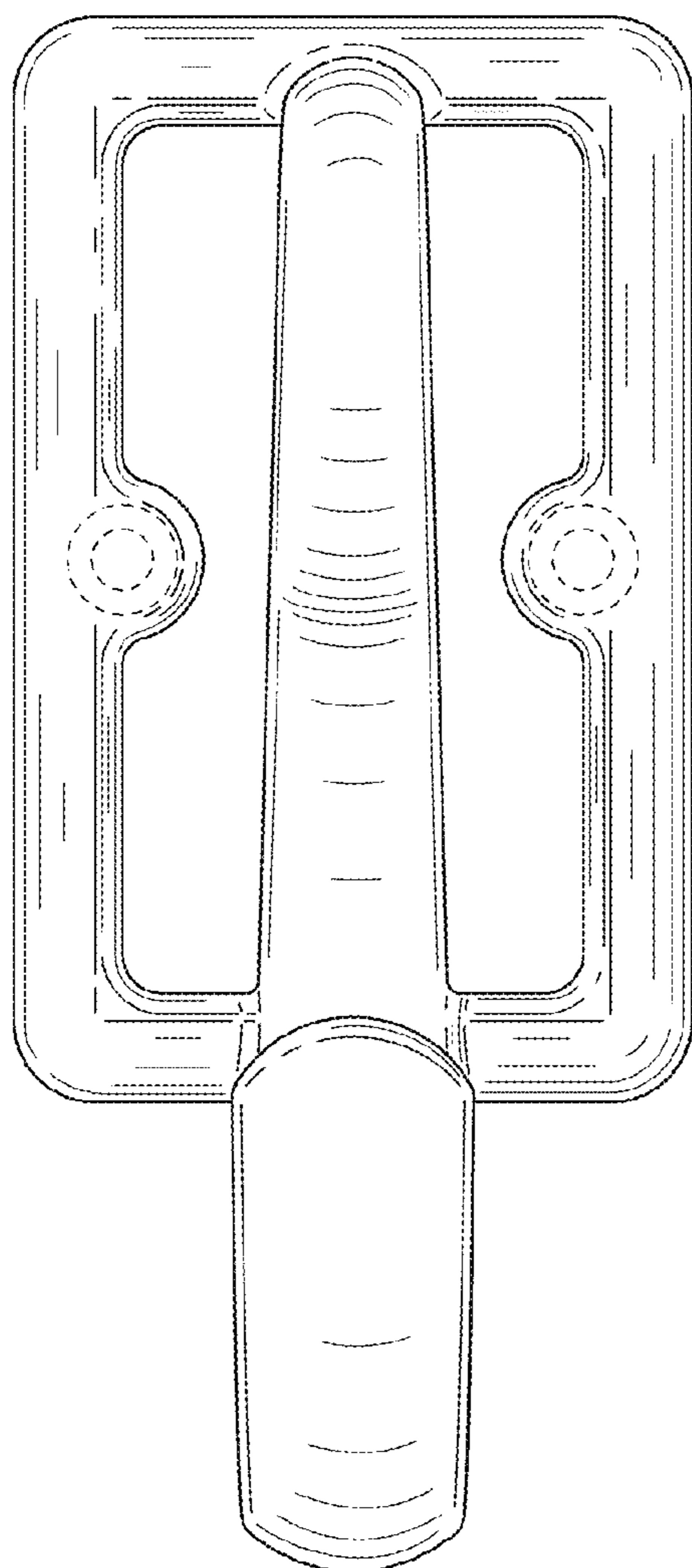


FIG. 2

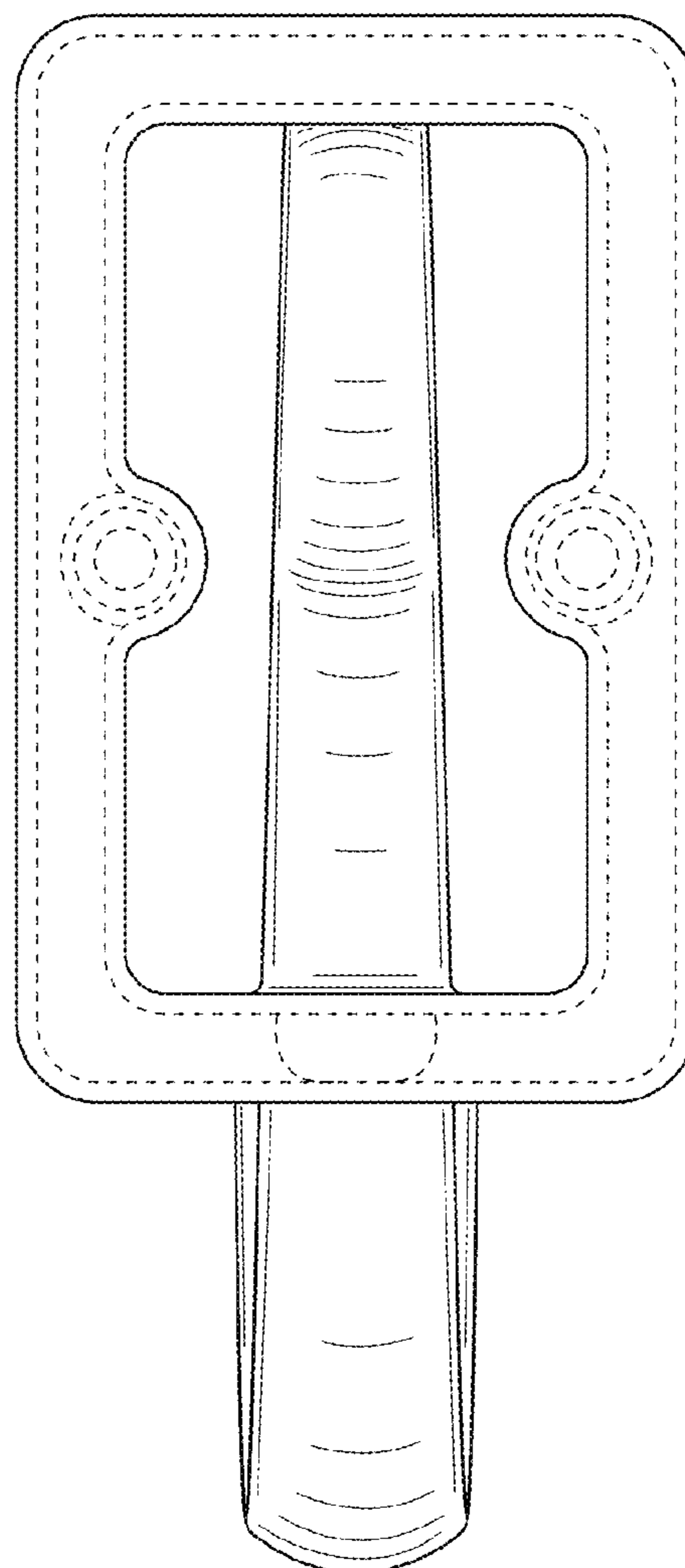


FIG. 3

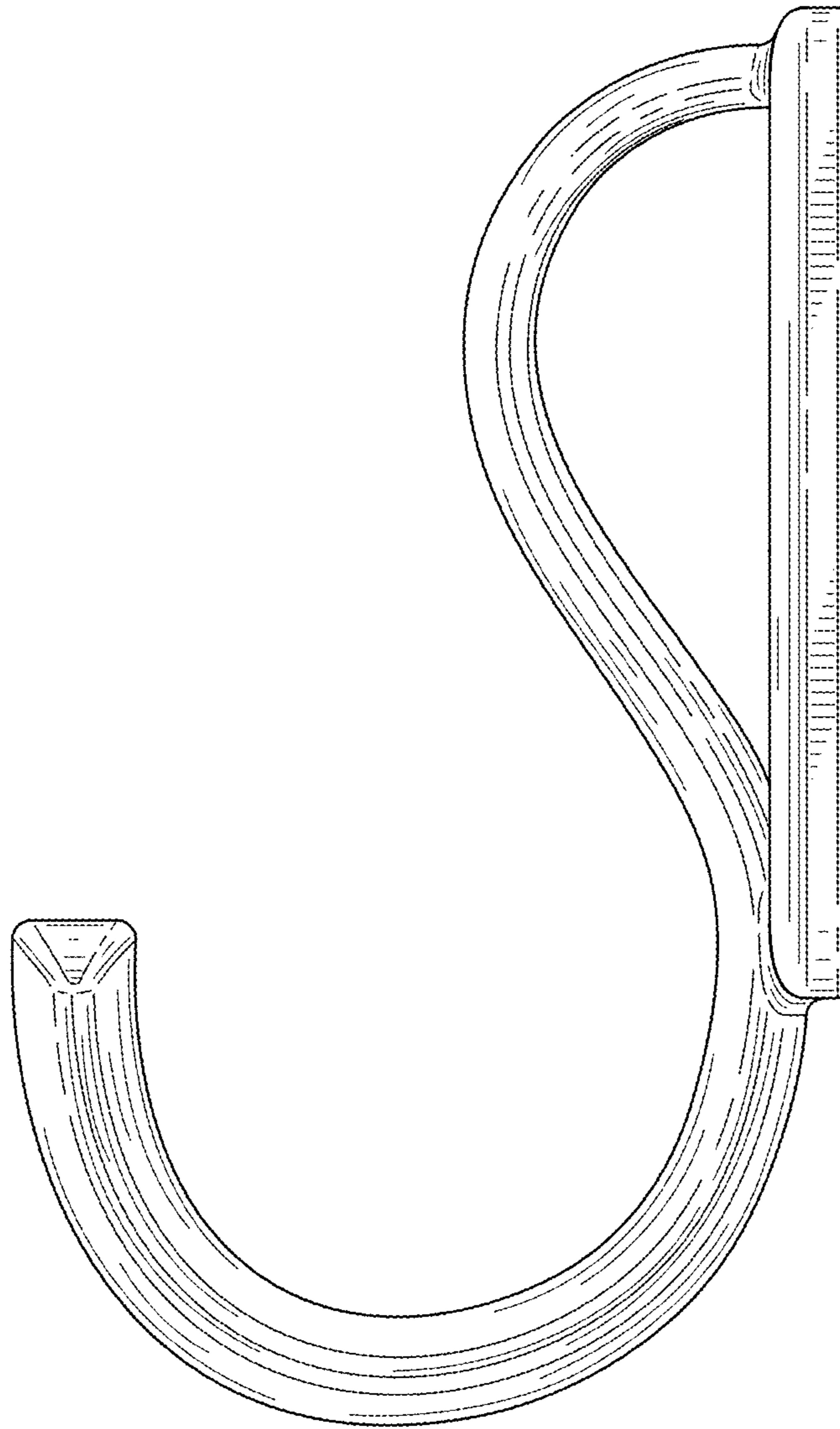


FIG. 4

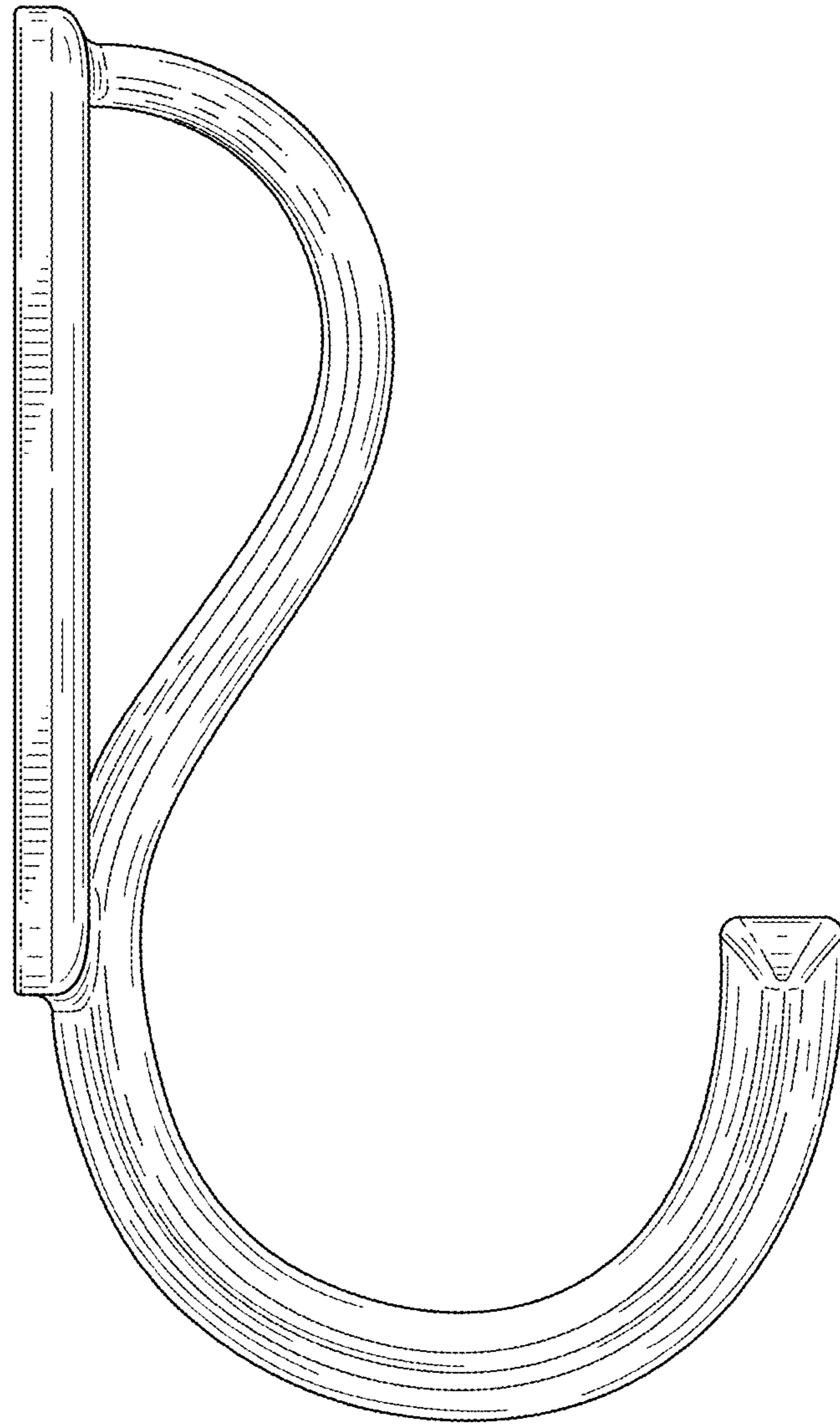


FIG. 5

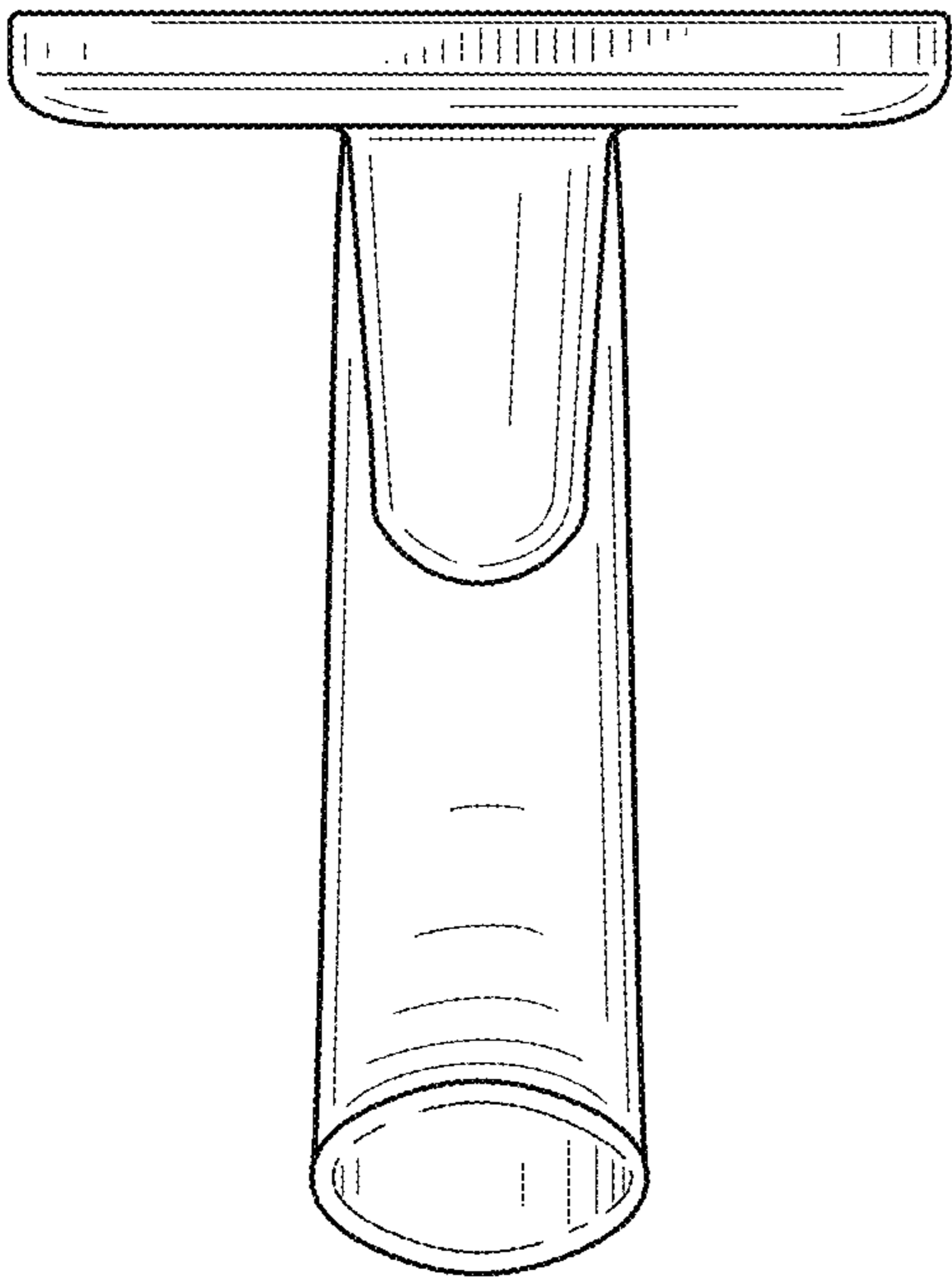


FIG. 6

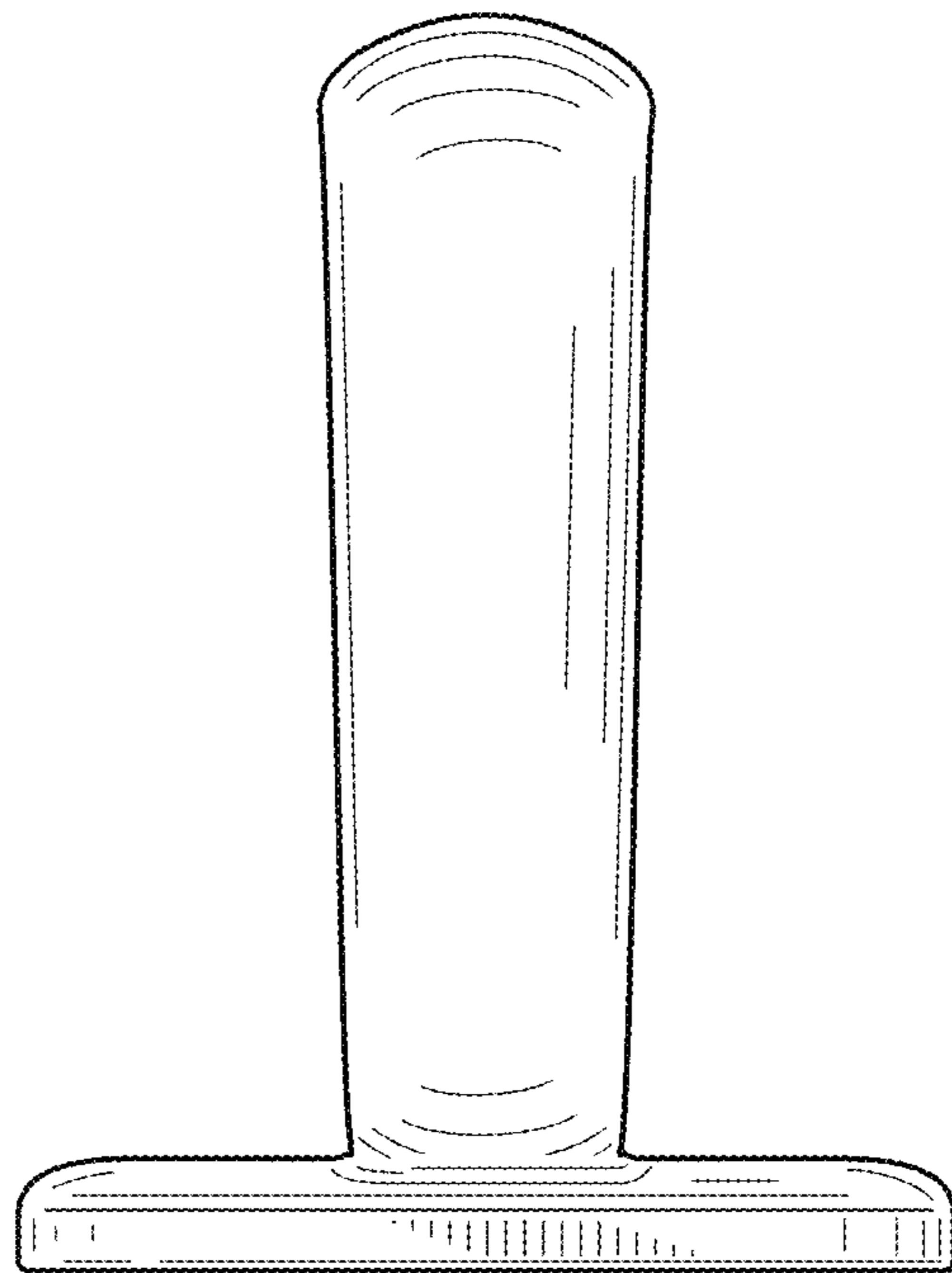


FIG. 7