



US00D707110S

(12) **United States Design Patent**
Veilleux

(10) **Patent No.:** **US D707,110 S**
(45) **Date of Patent:** **** Jun. 17, 2014**

- (54) **DOUBLE WIDE PANEL HOOK**
- (71) Applicant: **David Veilleux**, Stillwater, MN (US)
- (72) Inventor: **David Veilleux**, Stillwater, MN (US)
- (**) Term: **14 Years**
- (21) Appl. No.: **29/453,001**
- (22) Filed: **Apr. 24, 2013**
- (51) **LOC (10) Cl.** **08-05**
- (52) **U.S. Cl.**
USPC **D8/367**
- (58) **Field of Classification Search**
USPC D8/367, 354, 349, 373, 372; D6/323;
248/301–304, 339, 205.3
See application file for complete search history.

- D629,673 S * 12/2010 Shaha et al. D8/367
- D655,150 S * 3/2012 Alderman D8/367
- D688,936 S * 9/2013 Chen D8/354

* cited by examiner

Primary Examiner — Cynthia Underwood
(74) *Attorney, Agent, or Firm* — James A. Italia; Italia IP

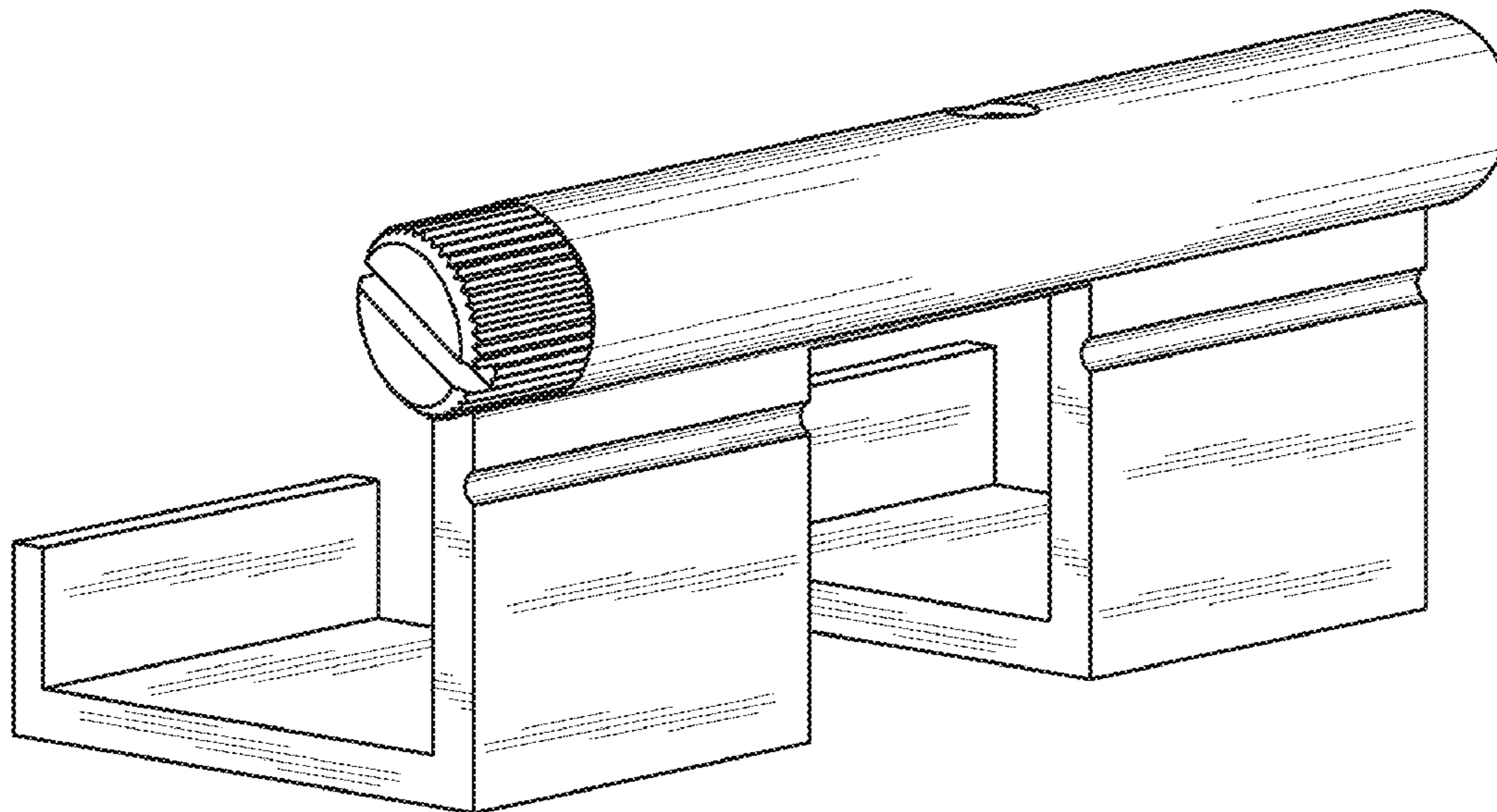
(57) **CLAIM**
The ornamental design for a double wide panel hook, as shown and described.

DESCRIPTION

FIG. 1 is a perspective view of a double wide panel hook, showing my new design;
FIG. 2 is a front elevational view of the invention;
FIG. 3 is a rear elevational view of the invention;
FIG. 4 is a right-side elevational view of the invention;
FIG. 5 is a left-side elevational view of the invention;
FIG. 6 is a top plan view of the invention; and,
FIG. 7 is a bottom plan view of the invention.

- (56) **References Cited**
U.S. PATENT DOCUMENTS
6,669,157 B1 * 12/2003 Willin et al. 248/311.2
D601,880 S * 10/2009 Veilleux D8/367

1 Claim, 4 Drawing Sheets



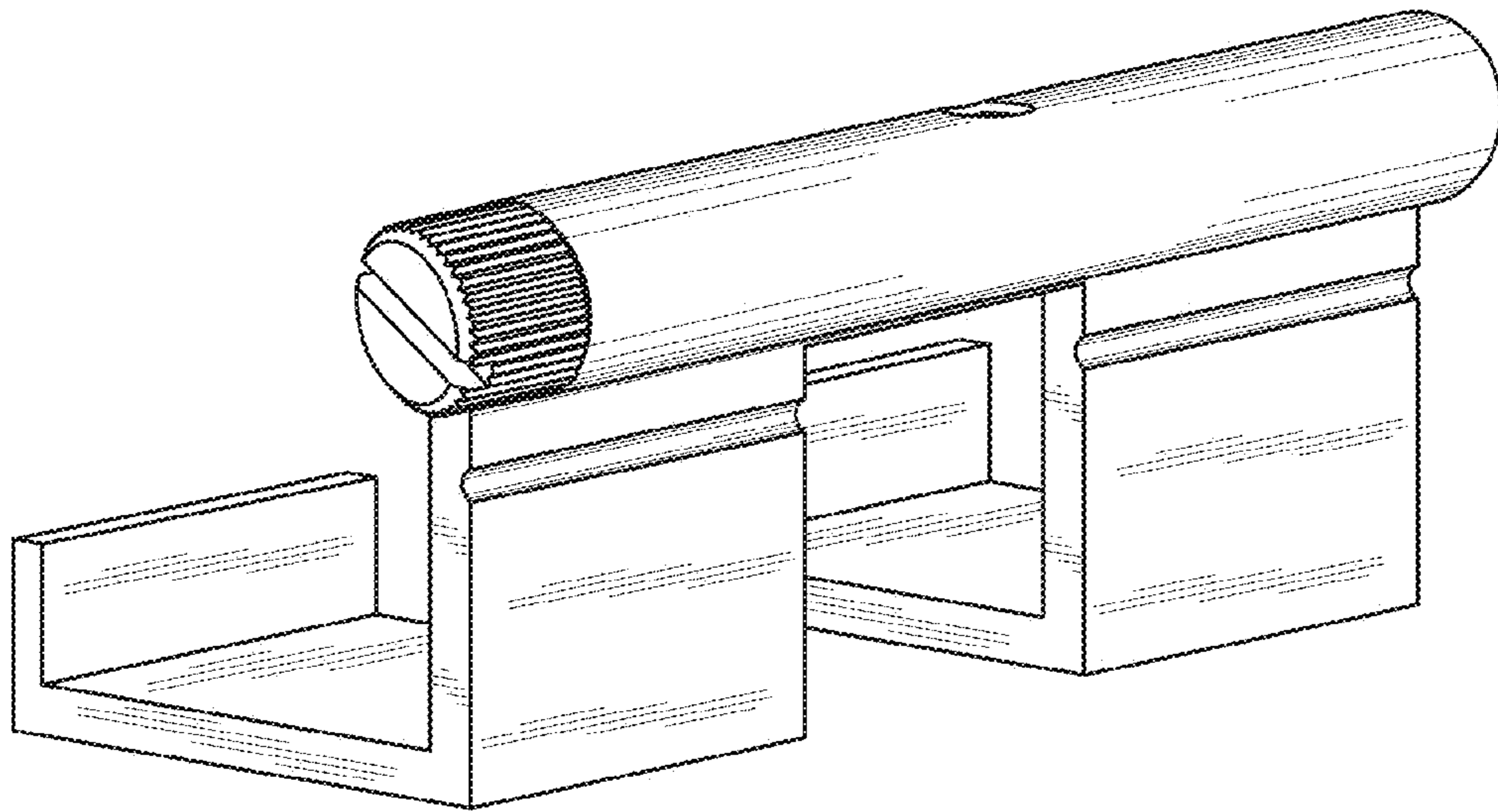


FIG. 1

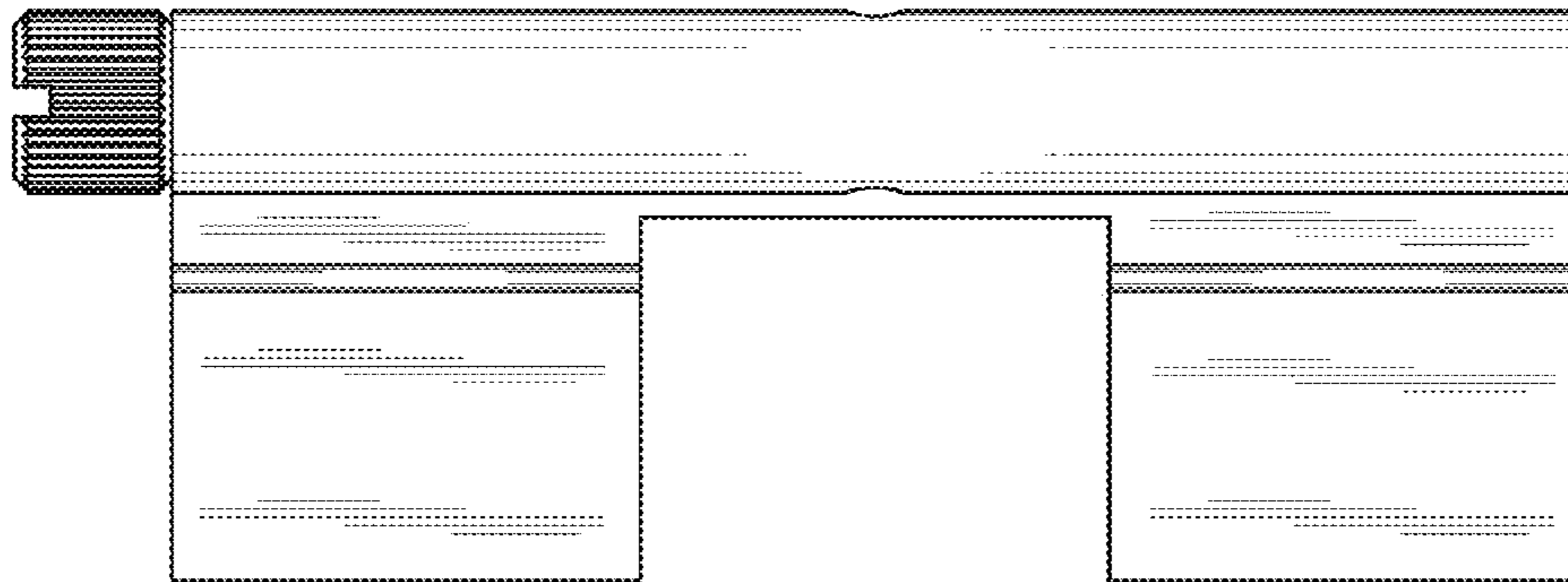


FIG. 2

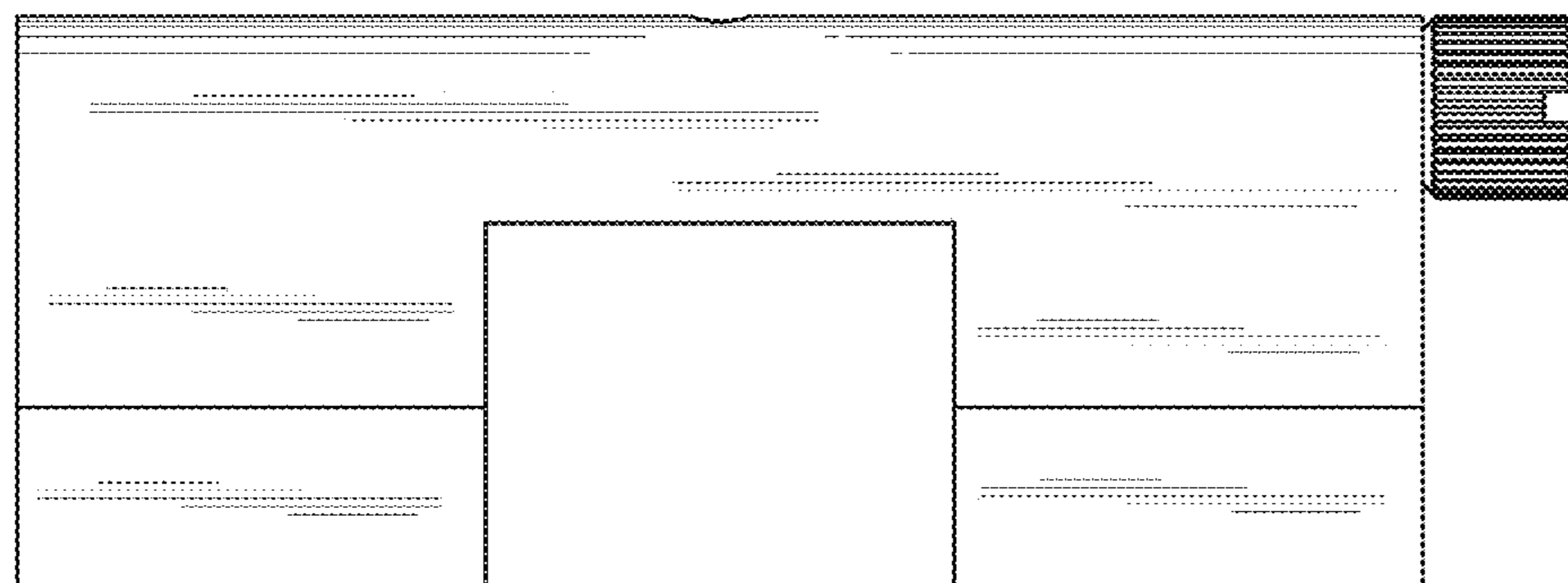


FIG. 3

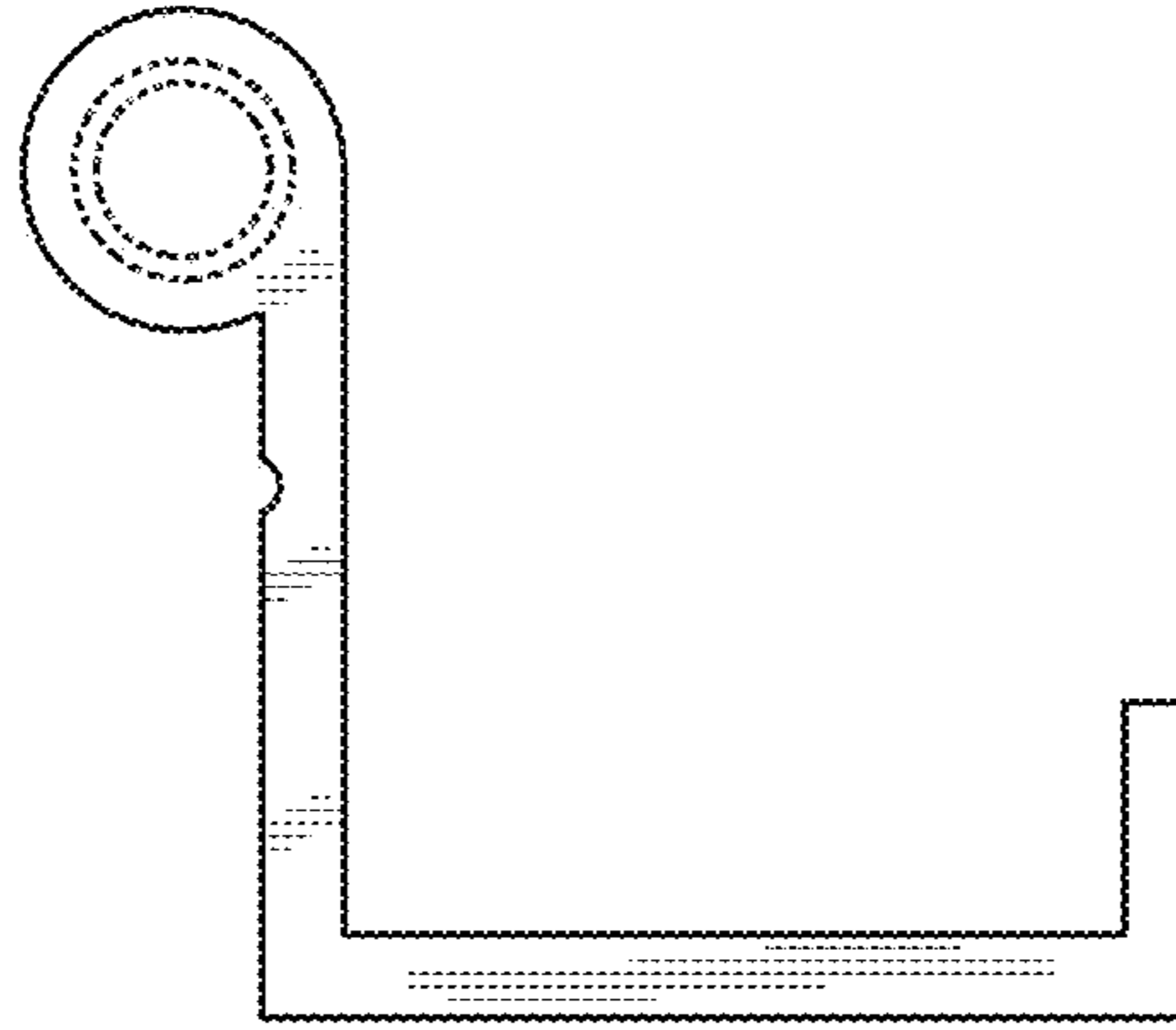


FIG. 4

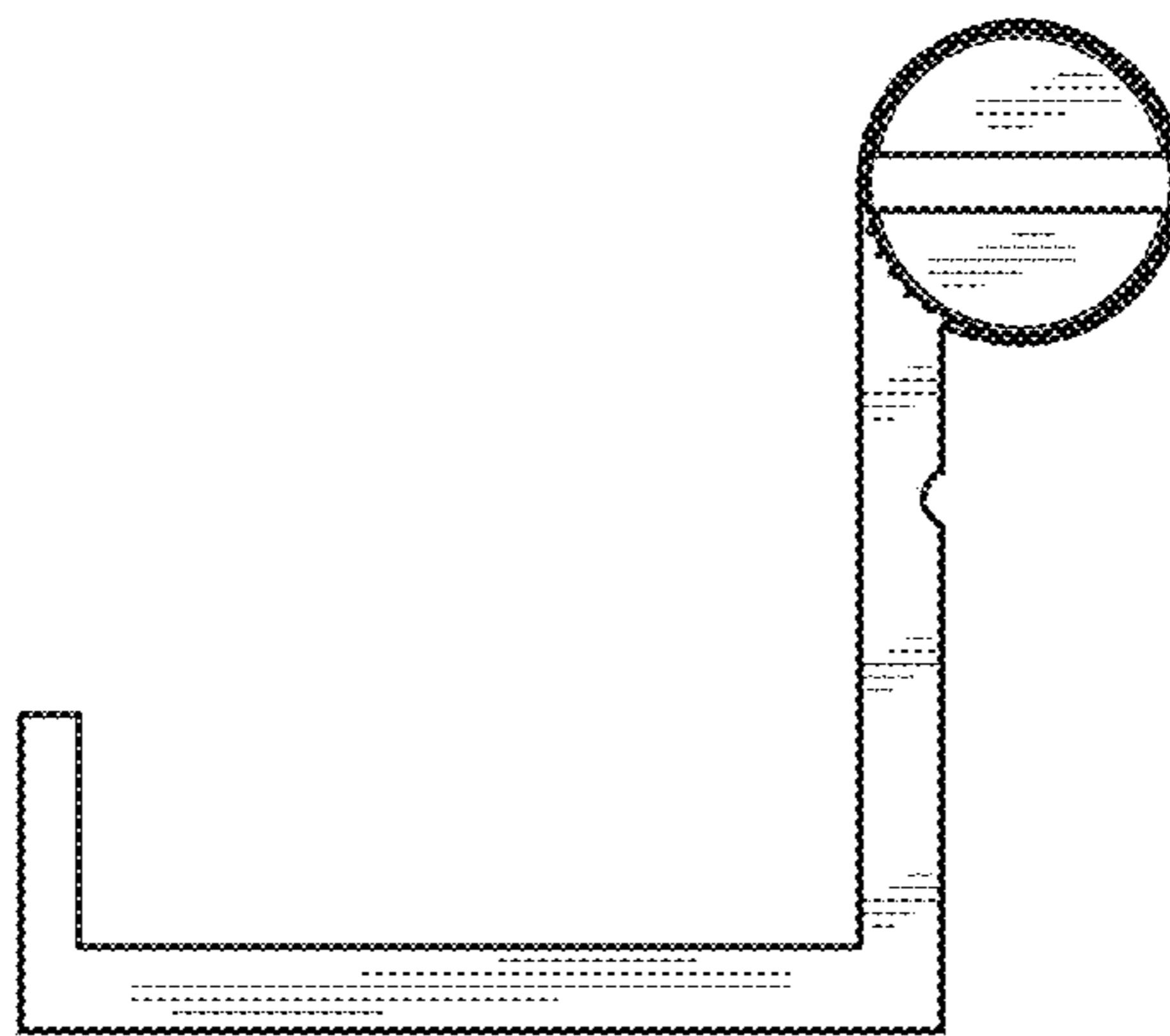


FIG. 5

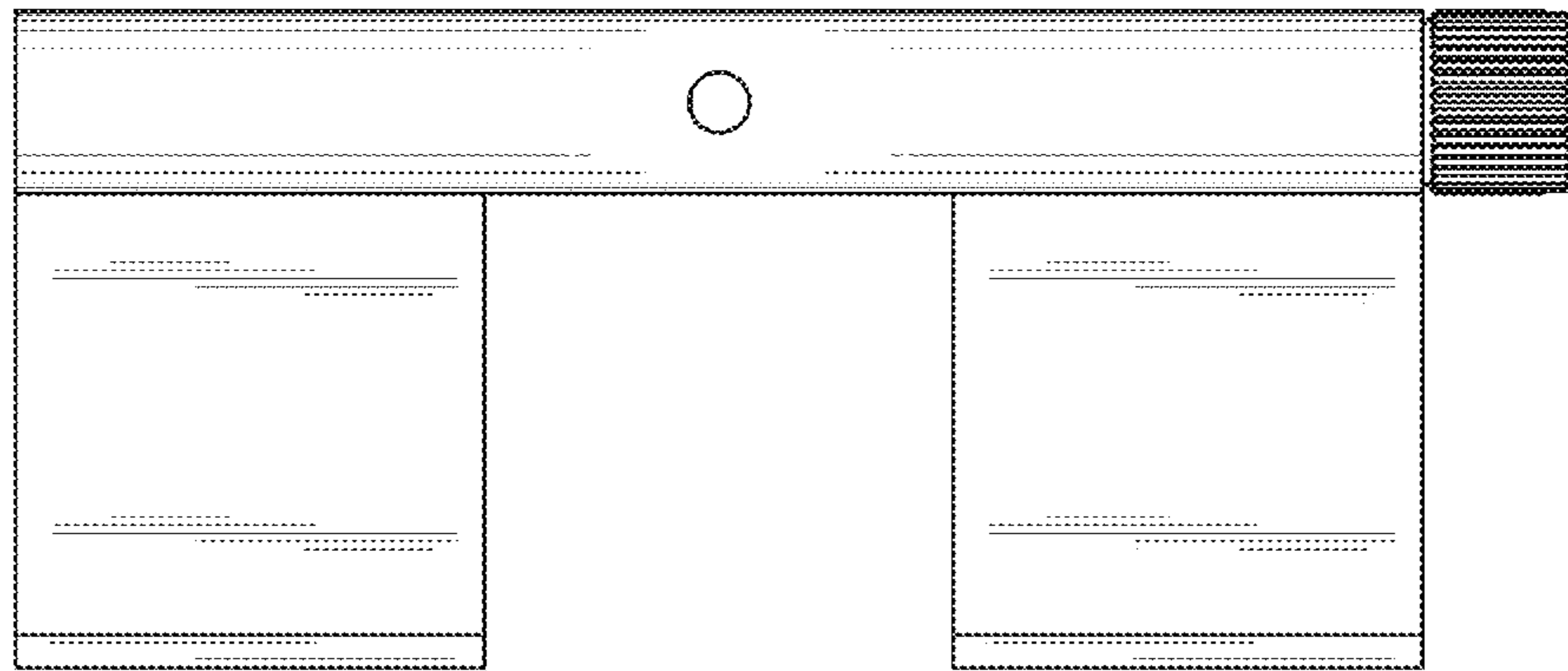


FIG. 6

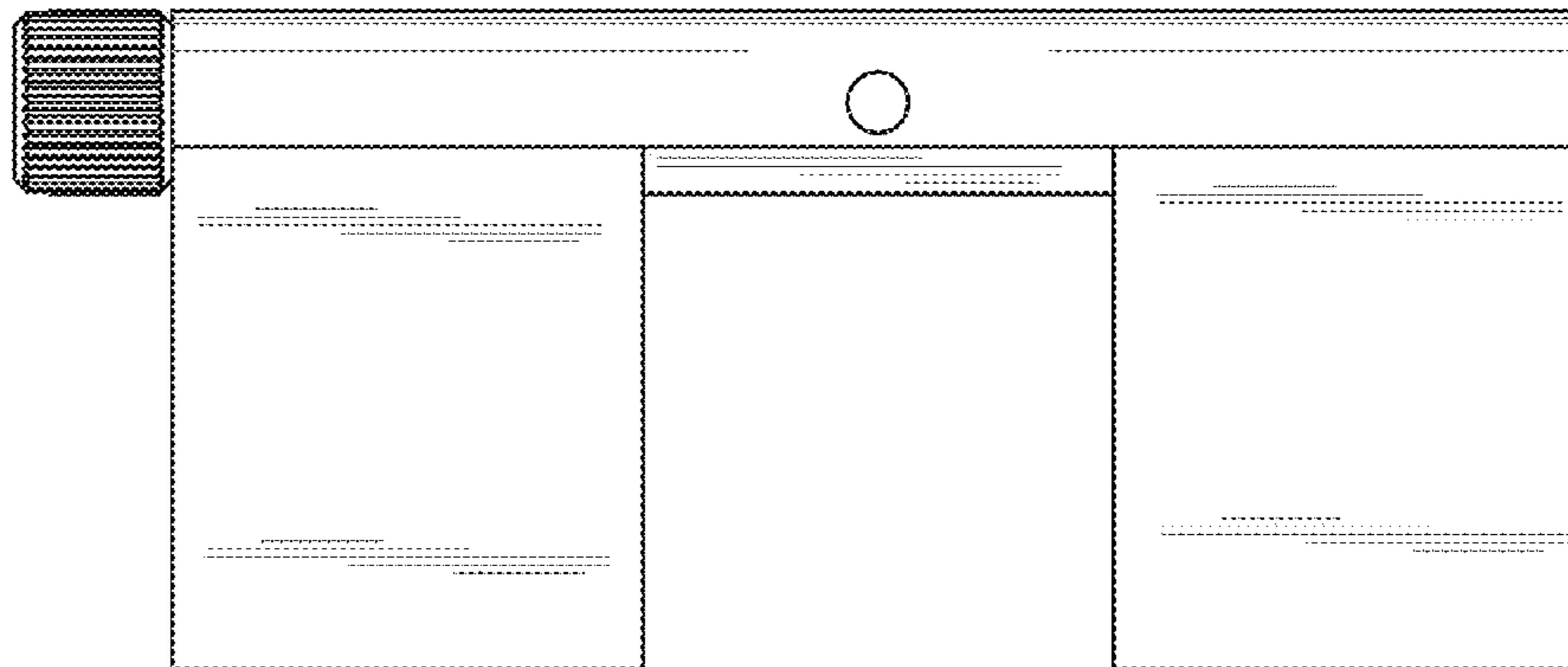


FIG. 7