



US00D707109S

(12) **United States Design Patent**
Leung

(10) **Patent No.:** **US D707,109 S**
(45) **Date of Patent:** **** Jun. 17, 2014**

- (54) **AIR CONDITIONING SUPPORT BRACKET**
- (71) Applicant: **Alex K Leung**, Hong Kong (CN)
- (72) Inventor: **Alex K Leung**, Hong Kong (CN)
- (**) Term: **14 Years**
- (21) Appl. No.: **29/446,323**
- (22) Filed: **Feb. 22, 2013**
- (51) **LOC (10) Cl.** **08-01**
- (52) **U.S. Cl.**
USPC **D8/363**
- (58) **Field of Classification Search**
USPC D8/363, 373, 381, 366, 349; D6/553,
D6/556, 566, 567; 248/237, 245, 247, 250,
248/304, 235; 211/87.01, 100, 105.1,
211/105.2, 181.1
See application file for complete search history.

D324,784 S	3/1992	Rose	
D325,868 S	5/1992	Stephen	
D331,873 S	12/1992	Finkelstein et al.	
D343,569 S	1/1994	Jeng	
D349,844 S	8/1994	Jaremkof	
D359,379 S	6/1995	Haviland	
5,503,358 A	4/1996	Lapp	
D371,063 S	6/1996	Barkan	
D416,188 S *	11/1999	Rosen et al.	D8/381
D417,137 S	11/1999	Vogels	
D440,147 S	4/2001	Rimback	
D520,349 S	5/2006	Boroviak	
D548,064 S	8/2007	Norton	
D602,342 S *	10/2009	Brassard	D8/363
D609,079 S	2/2010	Wheeler	
7,703,732 B2 *	4/2010	Dantuono	D8/381

* cited by examiner

Primary Examiner — Brian N Vinson
(74) *Attorney, Agent, or Firm* — QuickPatents; Kevin Prince

(56) **References Cited**

U.S. PATENT DOCUMENTS

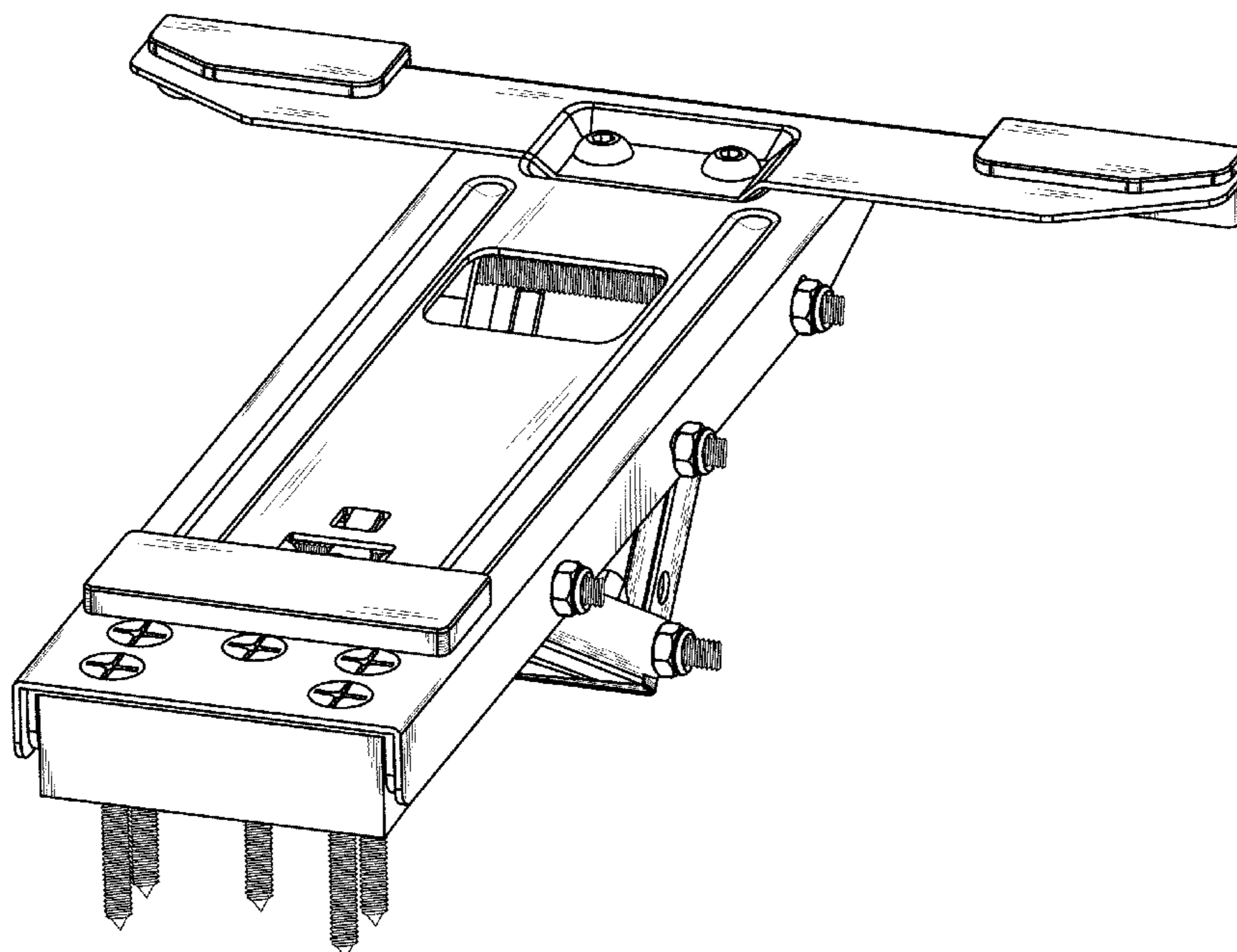
2,483,758 A	10/1949	Douglas	
D171,075 S	12/1953	Ferdinand	
2,833,503 A	5/1958	Meyer	
3,097,822 A	7/1963	Attwood	
D195,886 S	8/1963	Shirokov	
3,114,531 A	12/1963	Weber	
D202,520 S	10/1965	Fry	
D216,158 S	11/1969	Williams	
D233,017 S	10/1974	Hall	
D251,343 S	3/1979	Hansen	
D256,747 S	9/1980	Stephen	
D288,570 S *	3/1987	Fonceca	D8/381
D311,130 S	10/1990	Whitaker	
D320,928 S	10/1991	Boscacci et al.	

(57) **CLAIM**
I claim the ornamental design for an air conditioning support bracket, as shown and described.

DESCRIPTION

FIG. 1 is a front perspective view of an air conditioning support bracket, showing my new design; FIG. 2 is a rear perspective view thereof; FIG. 3 is a top plan view thereof; FIG. 4 is a bottom plan view thereof; FIG. 5 is a front elevational view thereof; FIG. 6 is a rear elevational view thereof; and, FIG. 7 is a left-side elevational view thereof, the right-side elevational view being a mirror image thereof.

1 Claim, 6 Drawing Sheets



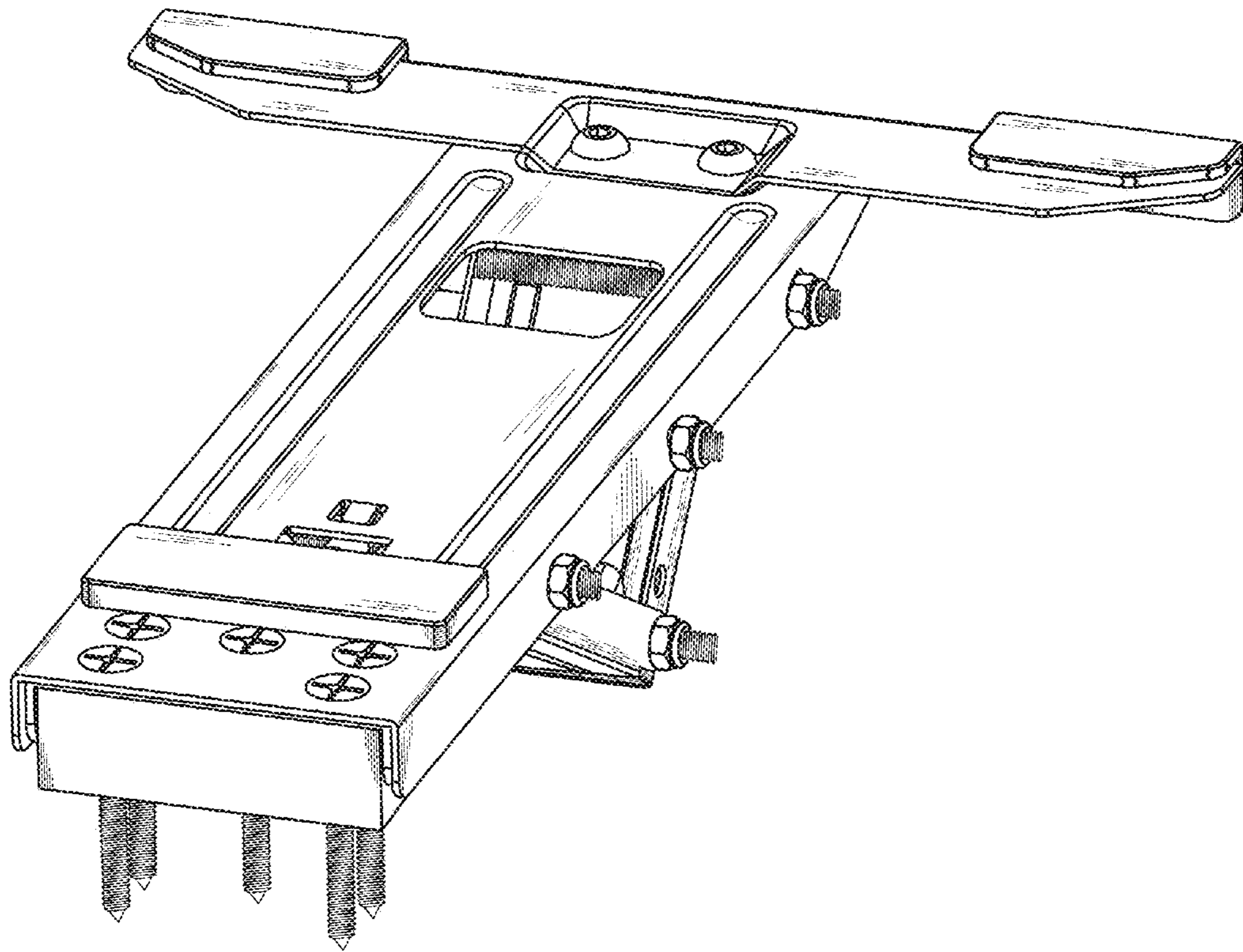


FIG. 1

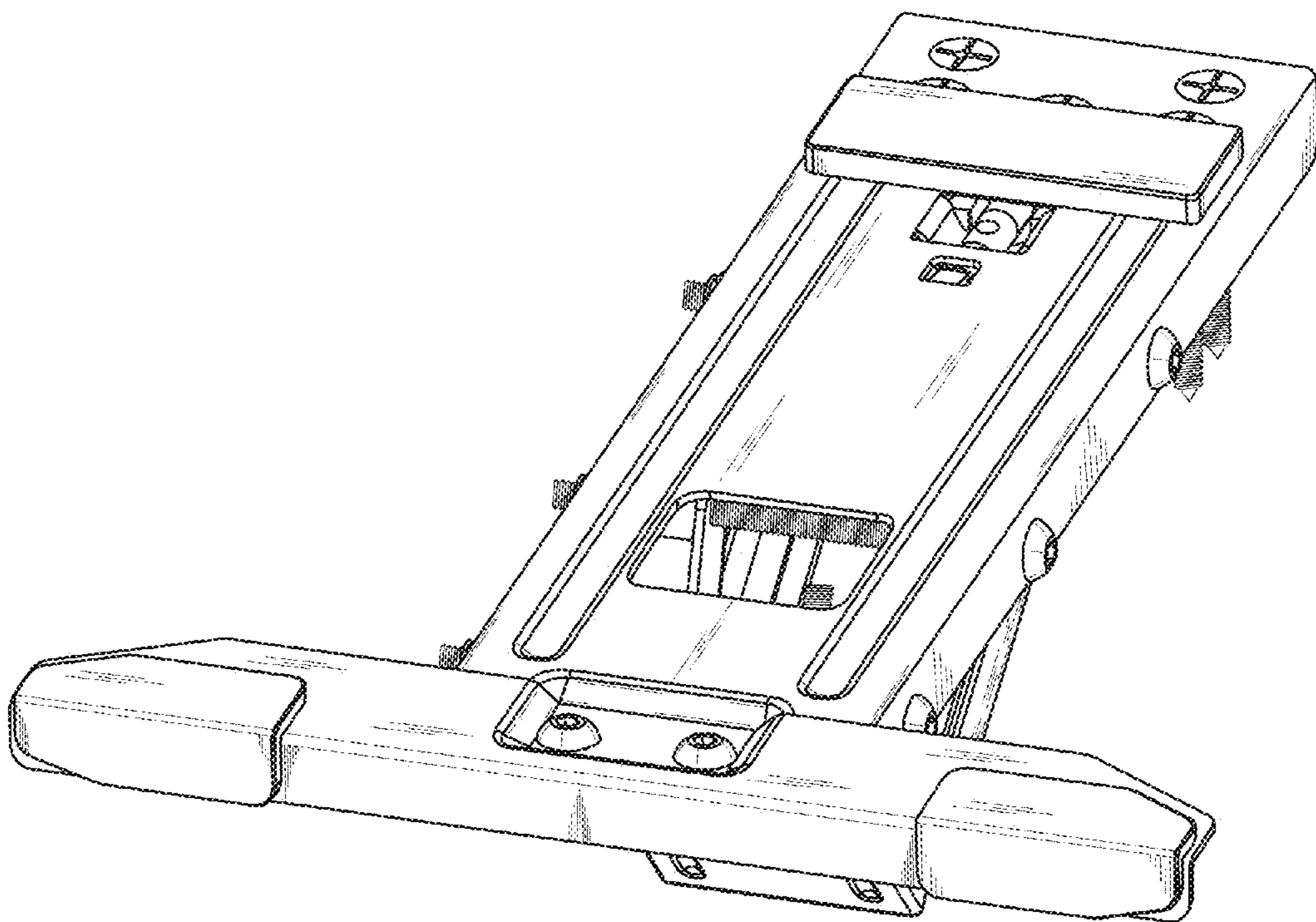


FIG. 2

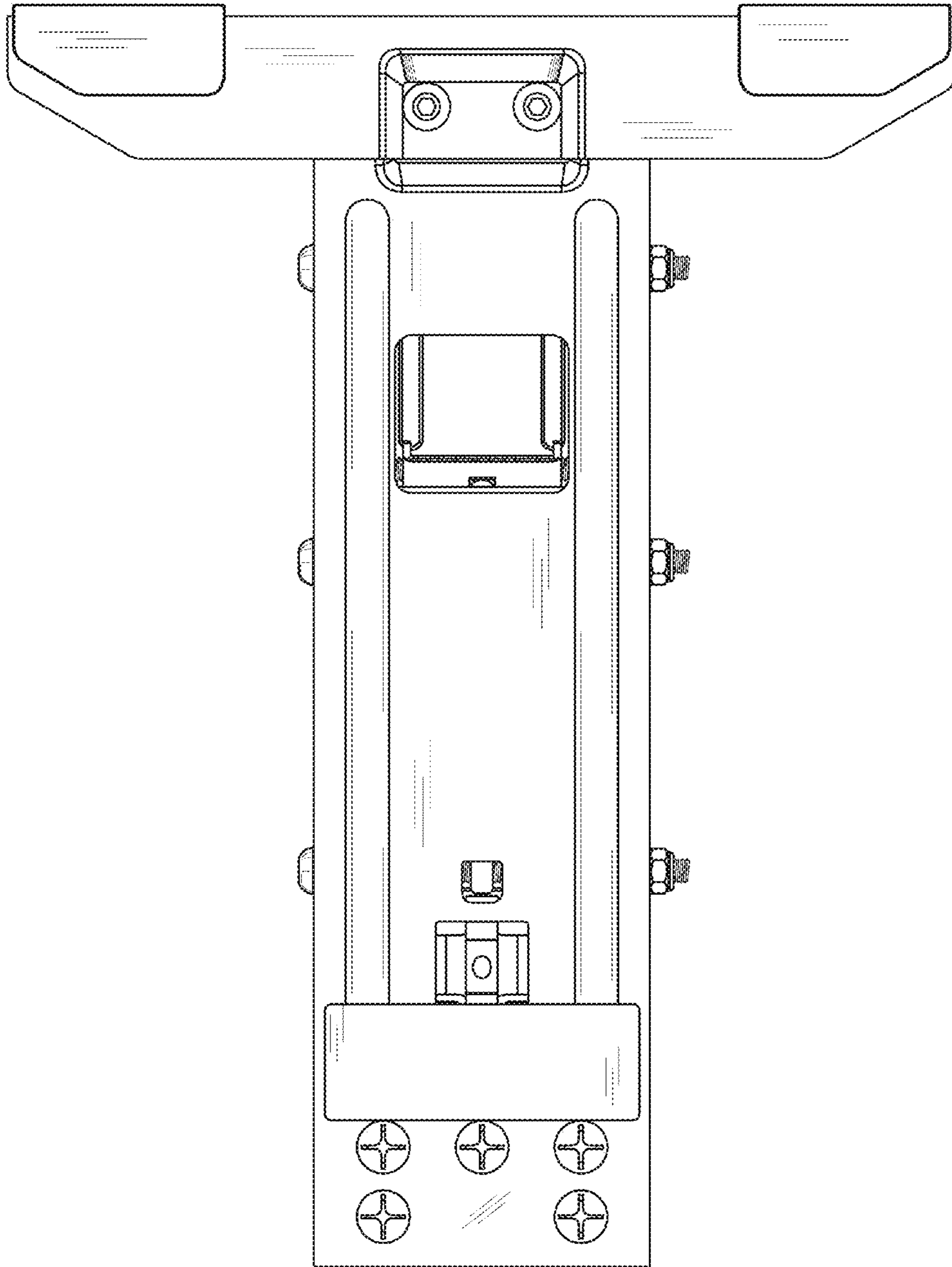


FIG. 3

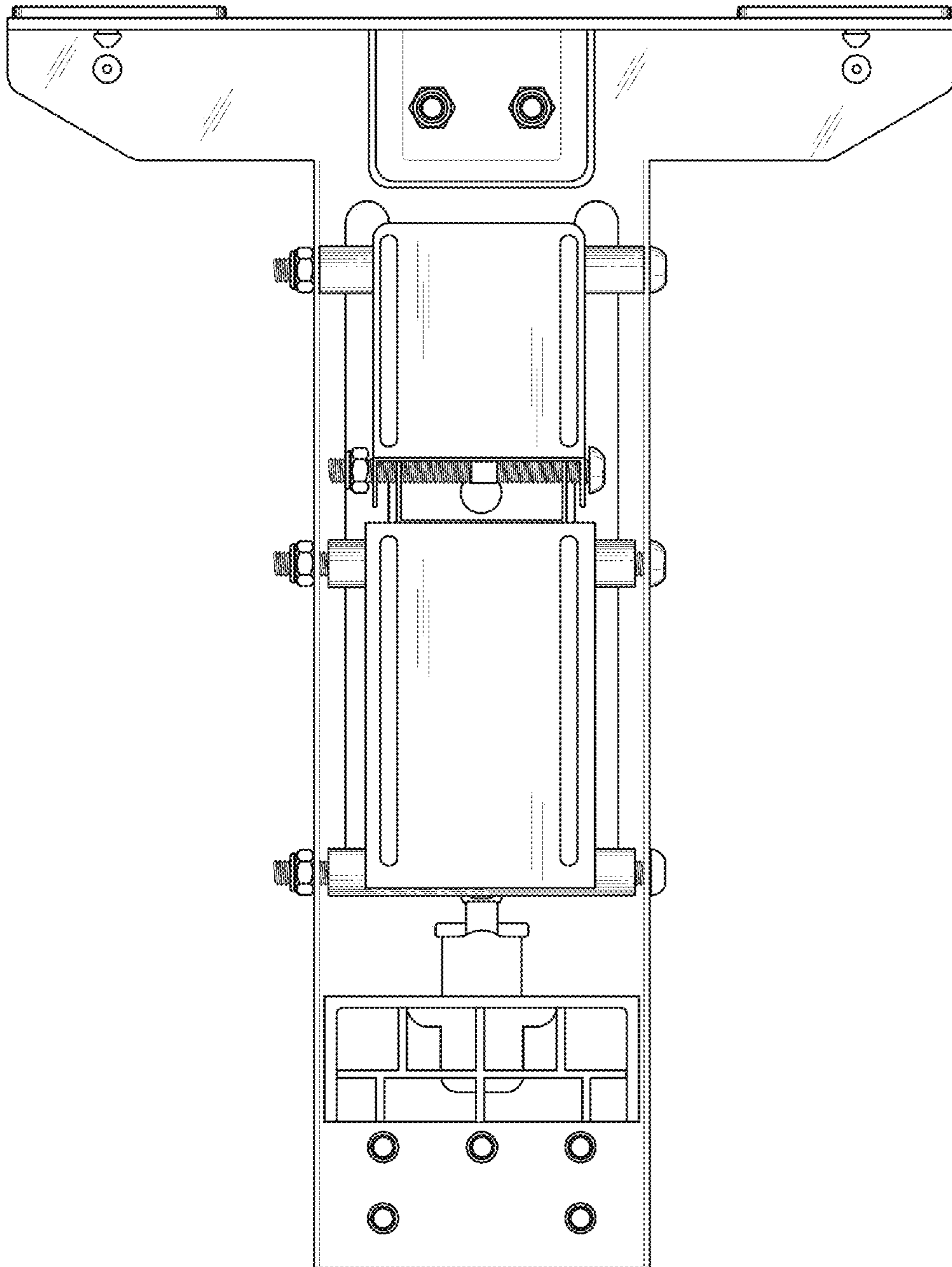


FIG. 4

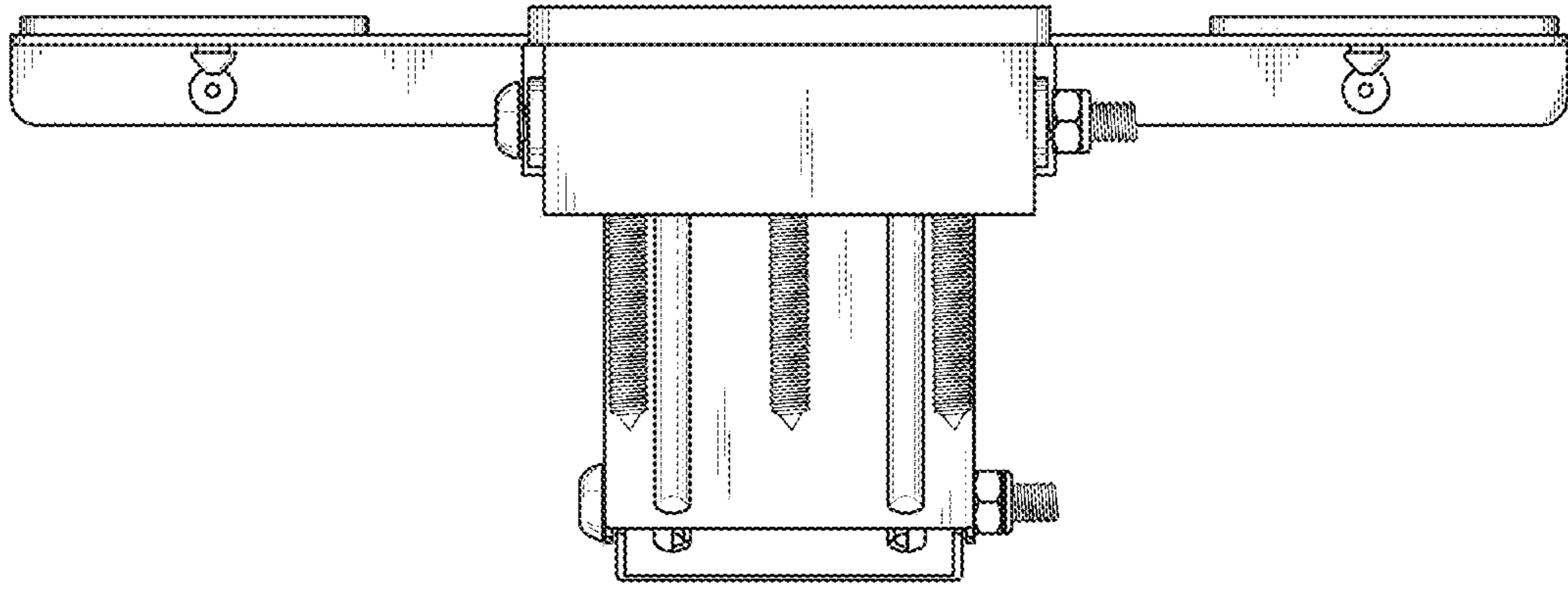


FIG. 5

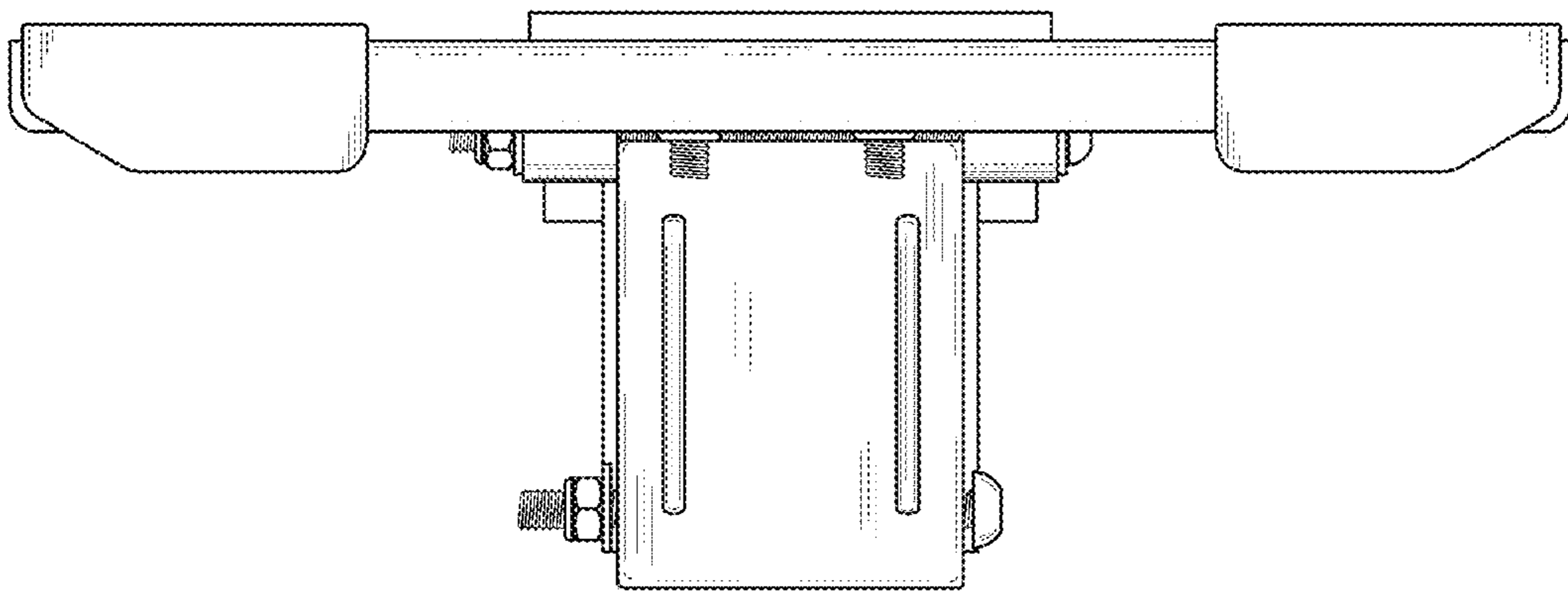


FIG. 6

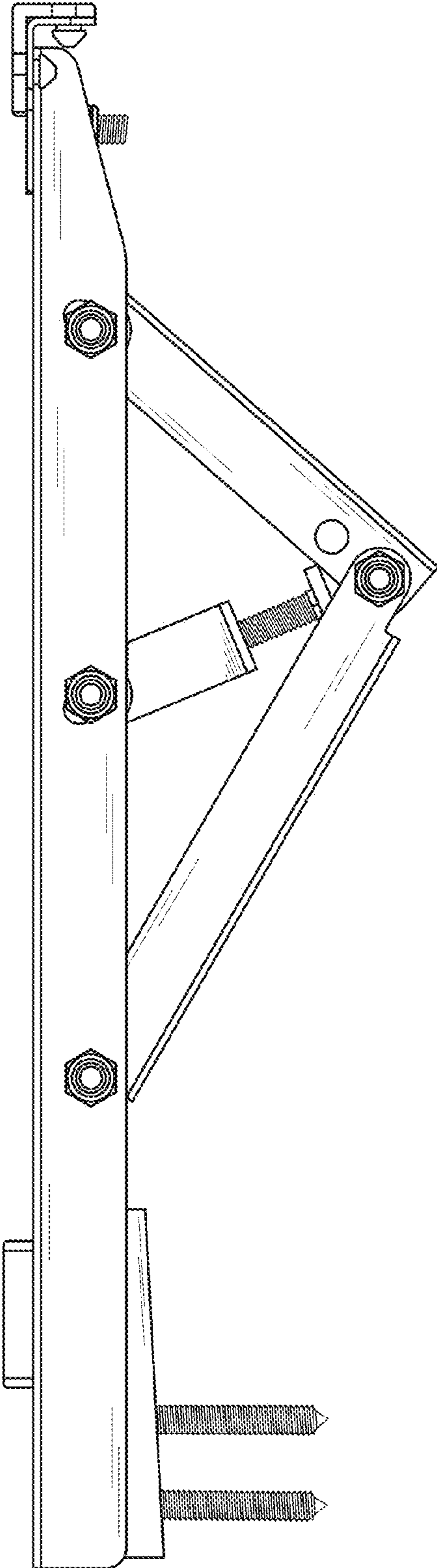


FIG. 7