



US00D707108S

(12) **United States Design Patent**  
**Fischer, Jr. et al.**

(10) **Patent No.:** **US D707,108 S**  
(45) **Date of Patent:** **\*\* Jun. 17, 2014**

- (54) **HOSE REEL ENCLOSURE**
- (71) Applicant: **Suncast Technologies, LLC**, Palm Beach Gardens, FL (US)
- (72) Inventors: **Gary M. Fischer, Jr.**, Poplar Grove, IL (US); **Michael R. Vogler**, Oswego, IL (US); **Michael Thuma**, La Grange, IL (US)
- (73) Assignee: **Suncast Technologies, LLC**, Palm Beach Gardens, FL (US)
- (\*\*) Term: **14 Years**
- (21) Appl. No.: **29/450,299**
- (22) Filed: **Mar. 15, 2013**
- (51) **LOC (10) Cl.** ..... **08-05**
- (52) **U.S. Cl.**  
USPC ..... **D8/359**
- (58) **Field of Classification Search**  
USPC ..... D8/359, 358, 357; D10/107; 206/389; D3/274; 242/390.8, 395, 395.1, 397.5, 242/405.2, 406; D99/40; 137/355.2, 137/355.27, 355.26; 248/349.1; D34/7, 1, D34/2, 3, 4  
See application file for complete search history.

7,658,358	B2 *	2/2010	Rosine et al.	.....	248/349.1
D635,448	S *	4/2011	Thuma et al.	.....	D8/359
D658,041	S *	4/2012	Vogler et al.	.....	D8/356
D667,292	S *	9/2012	Donnelly et al.	.....	D8/359
D669,765	S *	10/2012	Donnelly et al.	.....	D8/359
D671,752	S *	12/2012	Anderson et al.	.....	D5/47
D694,526	S *	12/2013	Anderson et al.	.....	D5/47
2008/0087755	A1 *	4/2008	Rosine et al.	.....	242/406
2012/0291882	A1 *	11/2012	Vogler et al.	.....	137/355.2

**OTHER PUBLICATIONS**

[http://www.homedepot.com/p/Hampton-Bay-150-ft-Hose-Capacity-Wicker-Hideaway-CPLPHW150HB/204735802#product\\_description](http://www.homedepot.com/p/Hampton-Bay-150-ft-Hose-Capacity-Wicker-Hideaway-CPLPHW150HB/204735802#product_description).\*

\* cited by examiner

*Primary Examiner* — Robert M Spear

*Assistant Examiner* — Eliza Bennett-Hattan

(74) *Attorney, Agent, or Firm* — McHale & Slavin, P.A.

(57) **CLAIM**

The ornamental design for a hose reel enclosure, as shown and described.

**DESCRIPTION**

FIG. 1 is a front left perspective view of the hose reel enclosure of the present invention;  
FIG. 2 is a front right perspective view thereof;  
FIG. 3 is a front view thereof;  
FIG. 4 is a left side view thereof;  
FIG. 5 is a right side view thereof; and,  
FIG. 6 is top view thereof.

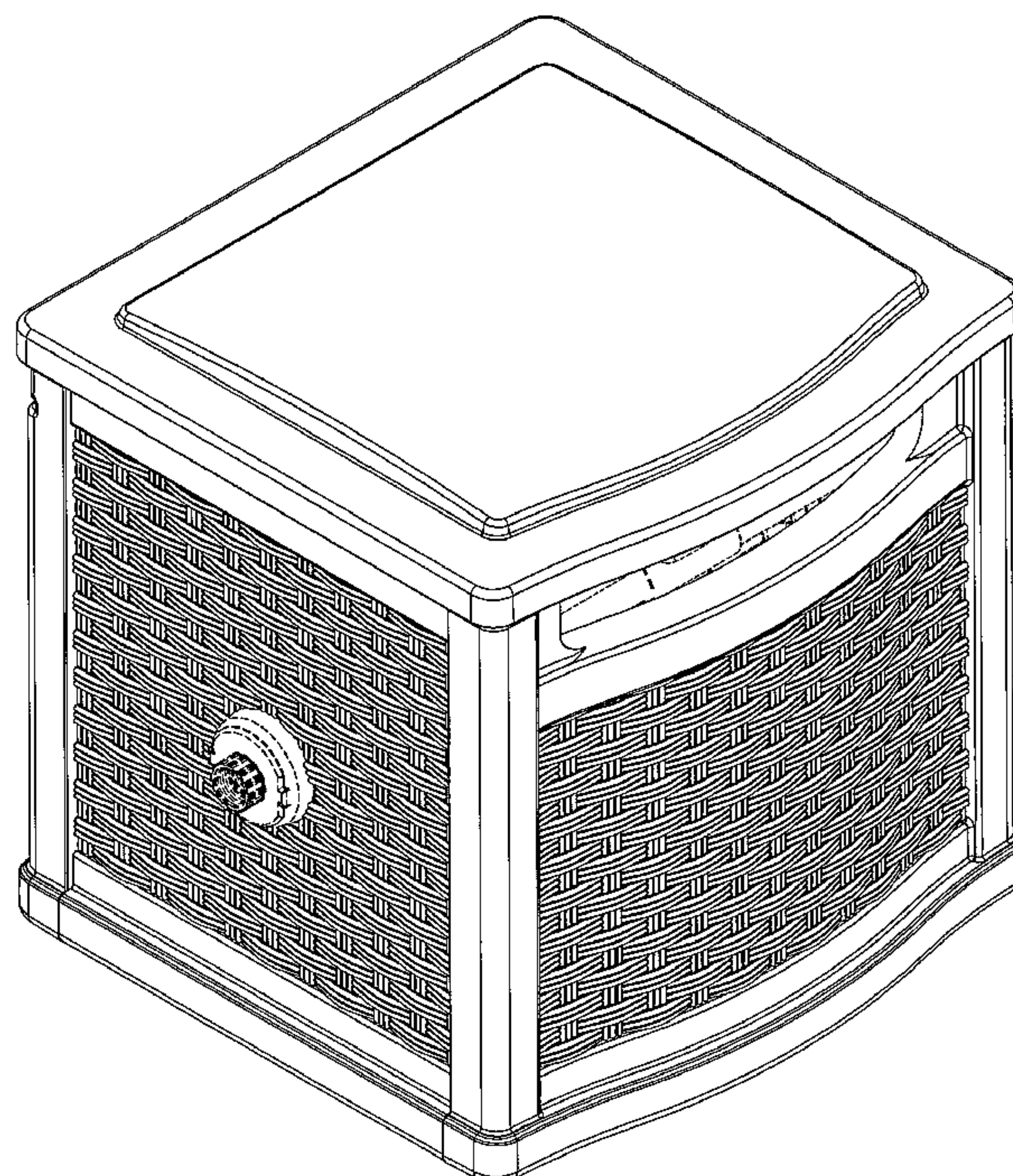
The portions of the hose reel enclosure illustrated in broken lines form no part of the claimed subject matter.

**1 Claim, 6 Drawing Sheets**

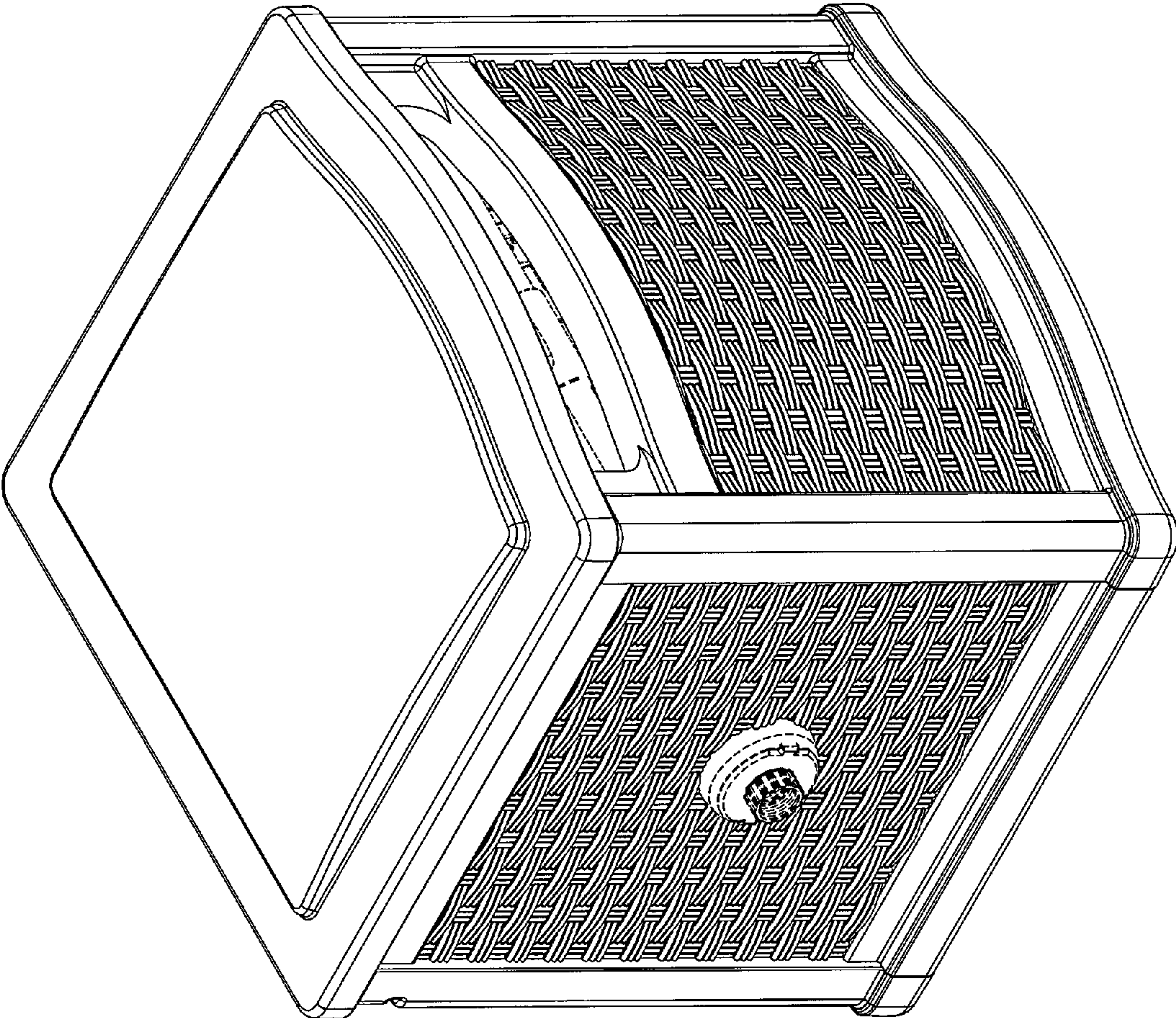
(56) **References Cited**

**U.S. PATENT DOCUMENTS**

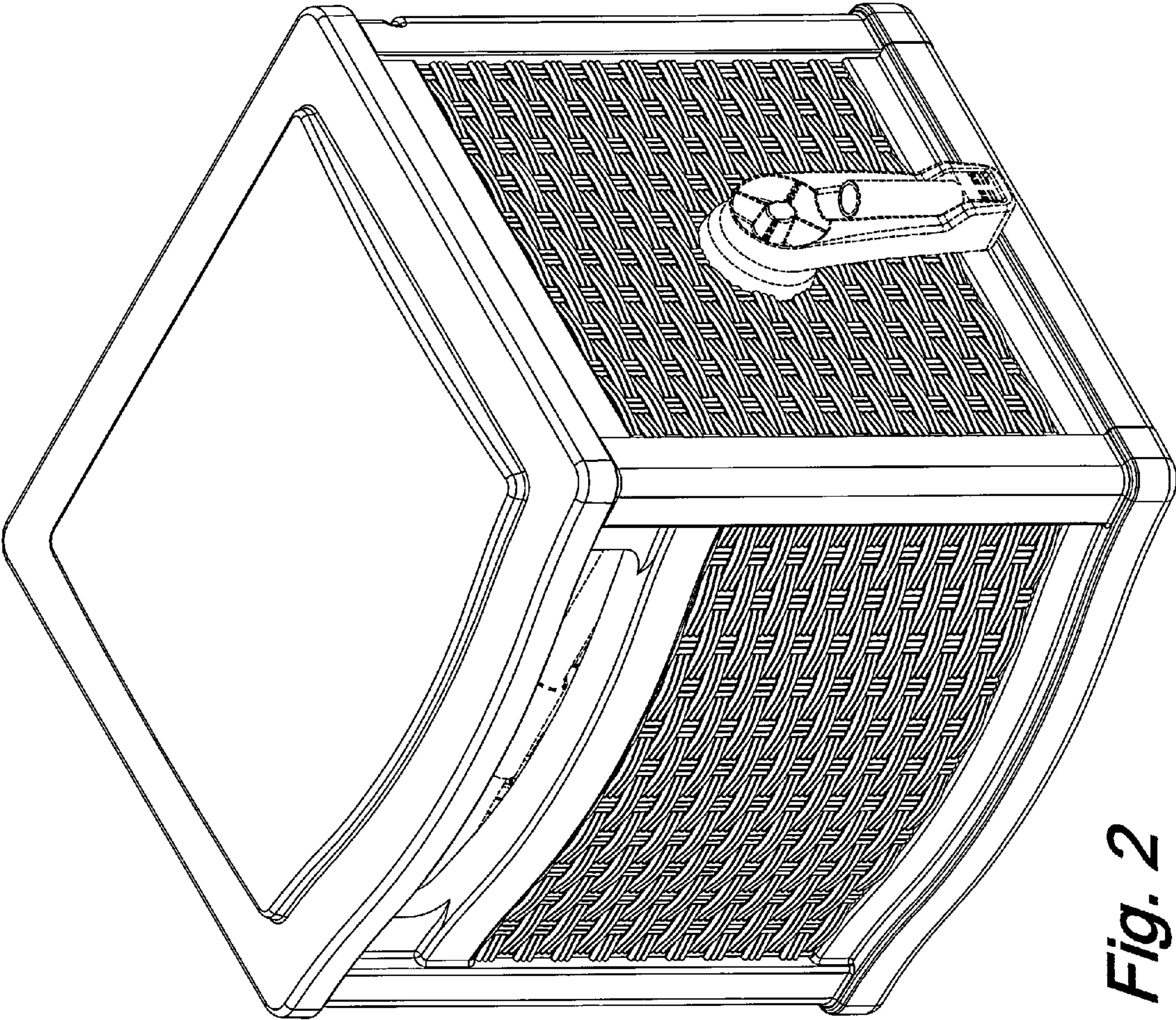
D478,803	S *	8/2003	Markley	.....	D8/359
D506,123	S *	6/2005	English et al.	.....	D8/358
7,360,748	B2 *	4/2008	Rosine et al.	.....	248/349.1
7,581,705	B2 *	9/2009	Rosine et al.	.....	248/349.1







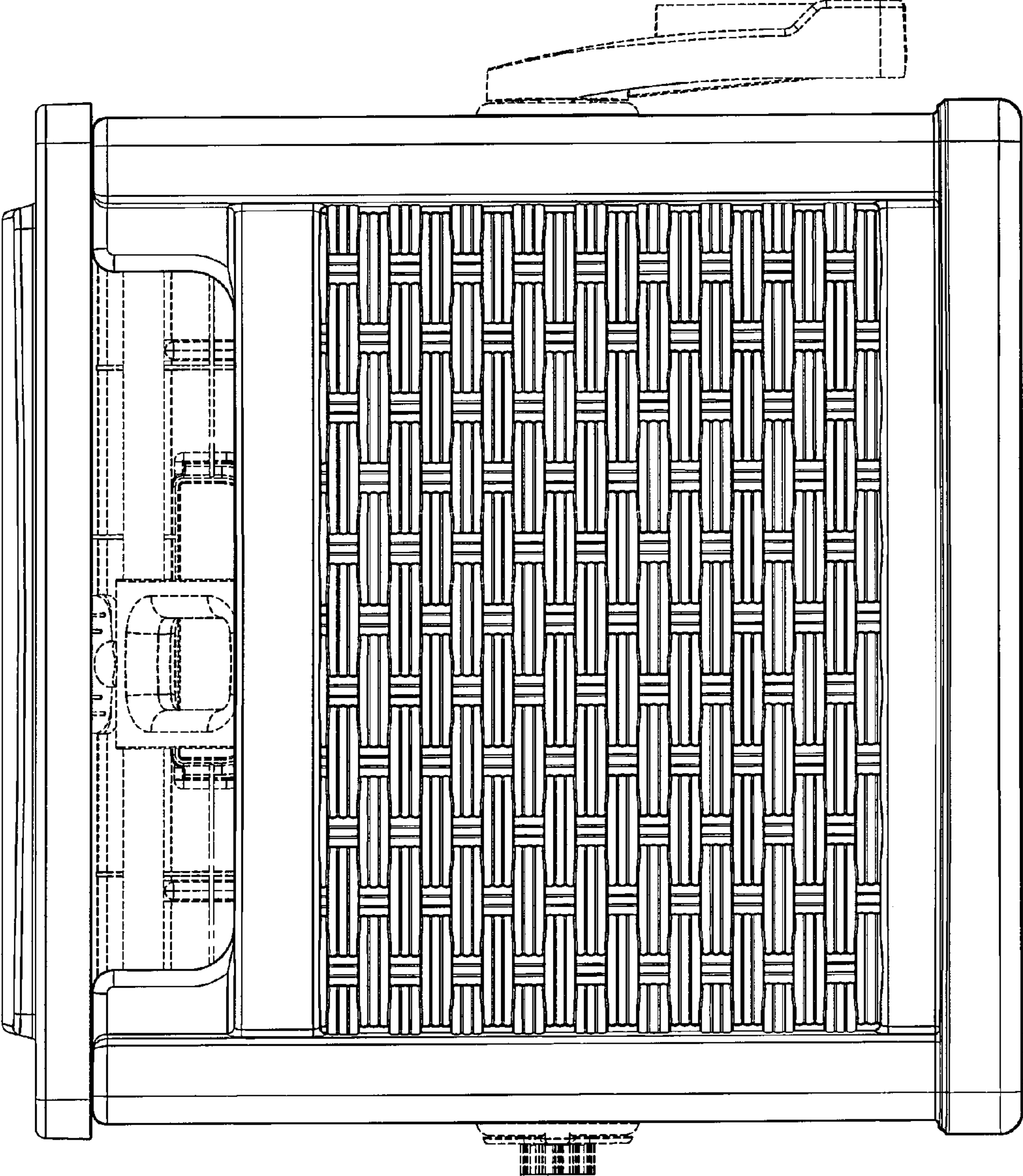
*Fig. 1*



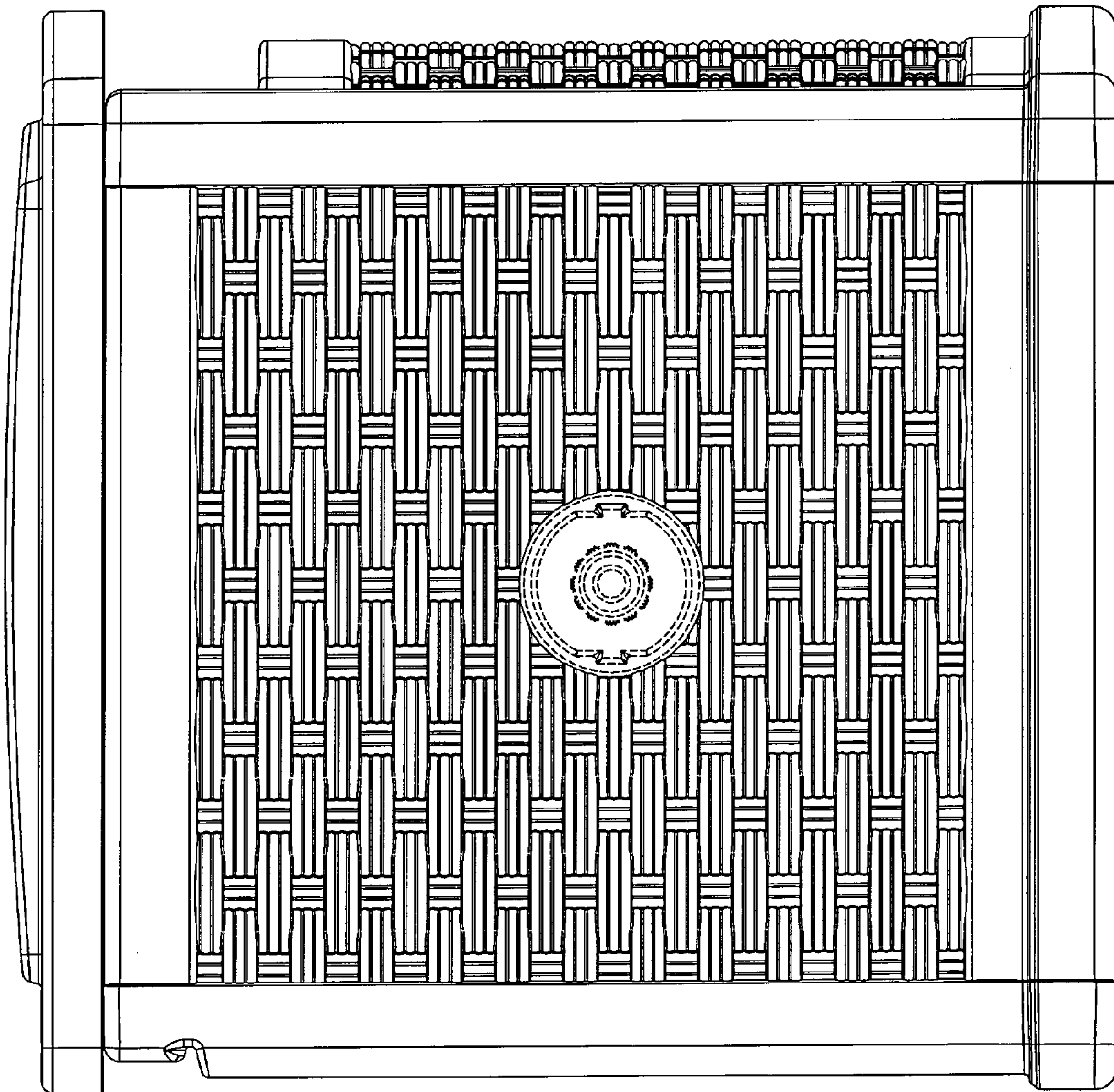
*Fig. 2*



*Fig. 3*



*Fig. 4*



*Fig. 5*

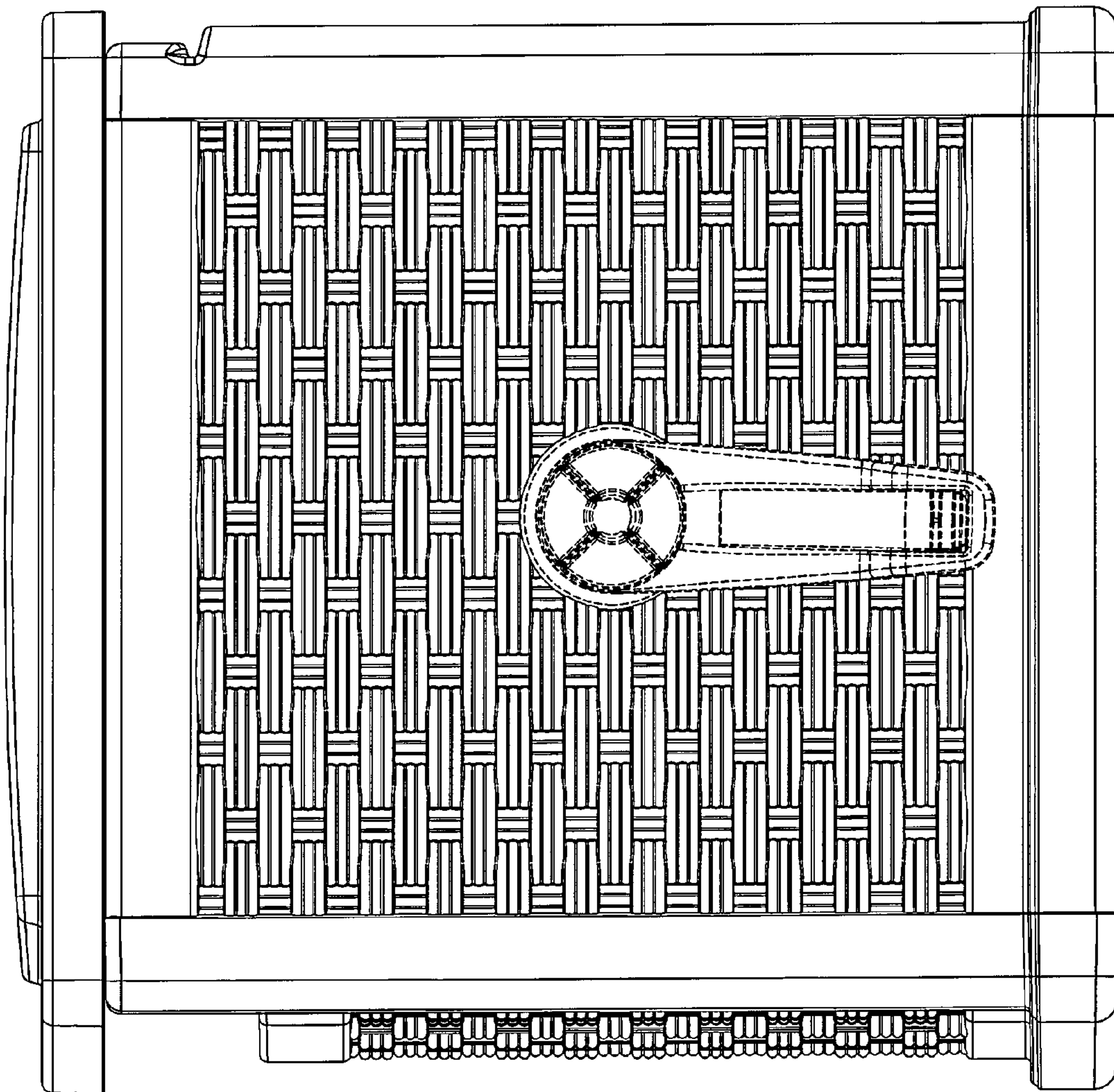


Fig. 6

