



US00D707106S

(12) **United States Design Patent**
Crouse et al.

(10) **Patent No.:** **US D707,106 S**
(45) **Date of Patent:** **** Jun. 17, 2014**

- (54) **CABLE ORGANIZING DEVICE**
- (71) Applicant: **Wanho T Manufacturing Co., Ltd.**,
Ilan (TW)
- (72) Inventors: **Christopher Pierre Crouse**, Florence,
AZ (US); **Arthur C. Gagnon**, Taichung,
CT (US)
- (73) Assignee: **Wanho T Manufacturing Co., Ltd.**,
Ilan (TW)
- (**) Term: **14 Years**
- (21) Appl. No.: **29/470,023**
- (22) Filed: **Oct. 17, 2013**
- (51) **LOC (10) Cl.** **08-05**
- (52) **U.S. Cl.**
USPC **D8/356**
- (58) **Field of Classification Search**
USPC D8/356, 354, 367, 349, 383; 439/501;
16/2.1, 2.2, 2.5, 108; 52/301; 174/65 G,
174/65 R, 65 SS, 151, 152 G, 153 G;
211/70.6; 248/56, 309.1, 310, 311.2,
248/15, 182, 339
See application file for complete search history.

4,330,005 A *	5/1982	Kjarsgaard	137/355.28
D358,545 S *	5/1995	Price	D8/356
D373,069 S *	8/1996	McCarthy	D8/354
D408,790 S *	4/1999	Kiely et al.	D8/356
D508,199 S *	8/2005	Winig et al.	D8/356
D537,709 S *	3/2007	Thorner	D8/396
D559,080 S *	1/2008	Boote	D8/354
D625,985 S *	10/2010	Mori et al.	D8/356
D641,611 S *	7/2011	Minayoshi	D8/354
D644,916 S *	9/2011	Lee	D8/356
D644,917 S *	9/2011	Lee	D8/356
D647,387 S *	10/2011	Pawluk	D8/356
D653,100 S *	1/2012	Chen	D8/356
D683,614 S *	6/2013	Toimil et al.	D8/356
D691,874 S *	10/2013	Ganski	D8/356
D691,877 S *	10/2013	Ganski	D8/356
2009/0324188 A1 *	12/2009	Berglund et al.	385/135

* cited by examiner

Primary Examiner — Cynthia Underwood

(74) *Attorney, Agent, or Firm* — Charles E. Baxley

(57) **CLAIM**

The ornamental design for a cable organizing device, as shown and described.

DESCRIPTION

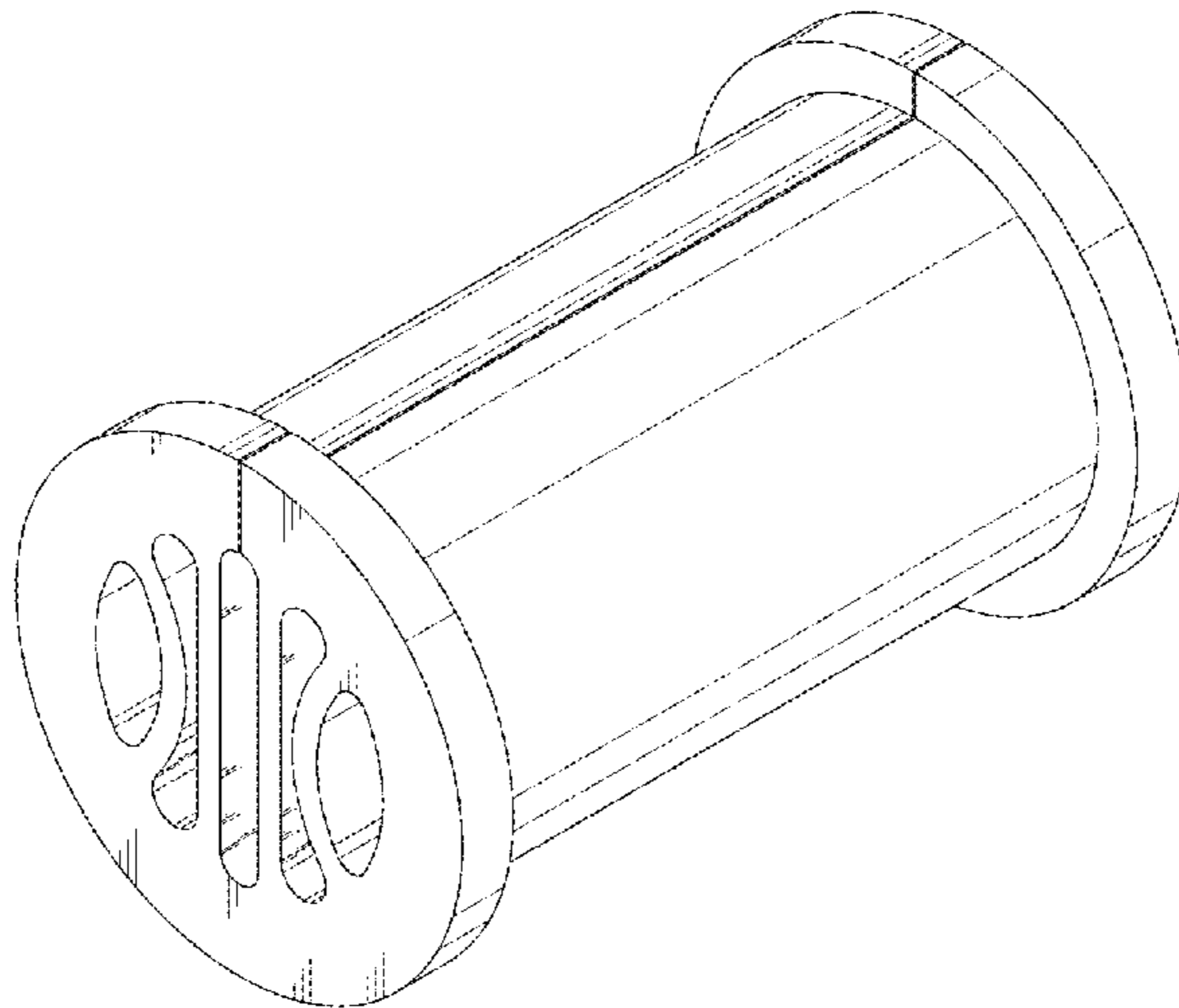
FIG. 1 is a perspective view of a cable organizing device showing my new design;
 FIG. 2 is a front elevational view thereof;
 FIG. 3 is a rear elevational view thereof;
 FIG. 4 is a top plan view thereof;
 FIG. 5 is a bottom plan view thereof;
 FIG. 6 is a left side elevational view thereof; and,
 FIG. 7 is a right side elevational view thereof.

1 Claim, 2 Drawing Sheets

(56) **References Cited**

U.S. PATENT DOCUMENTS

1,532,177 A *	4/1925	Gist	248/89
1,625,585 A *	4/1927	Archer	242/599.2
3,123,879 A *	3/1964	Boduroff et al.	403/217
3,132,822 A *	5/1964	Arthur	242/613.4



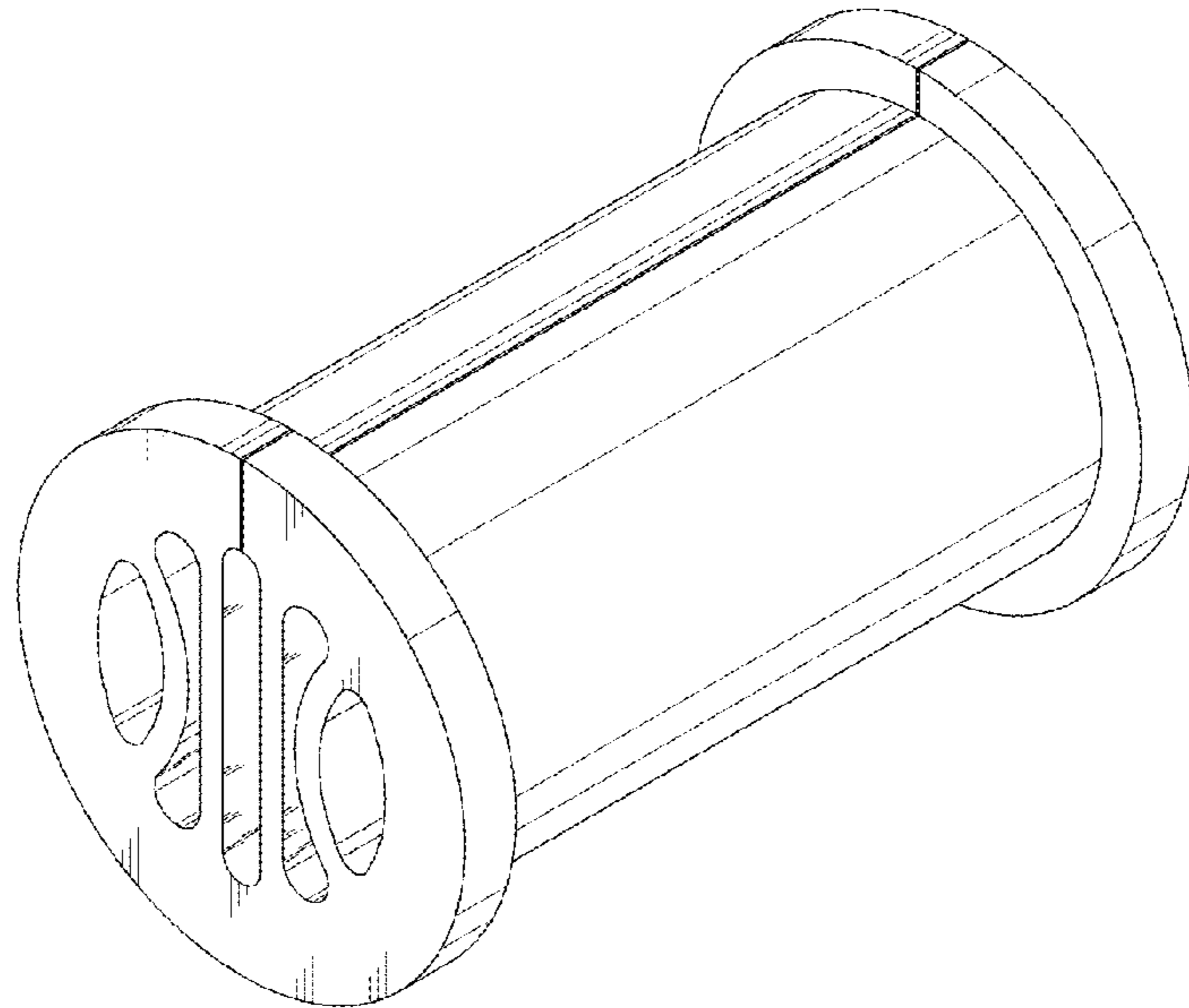


FIG. 1

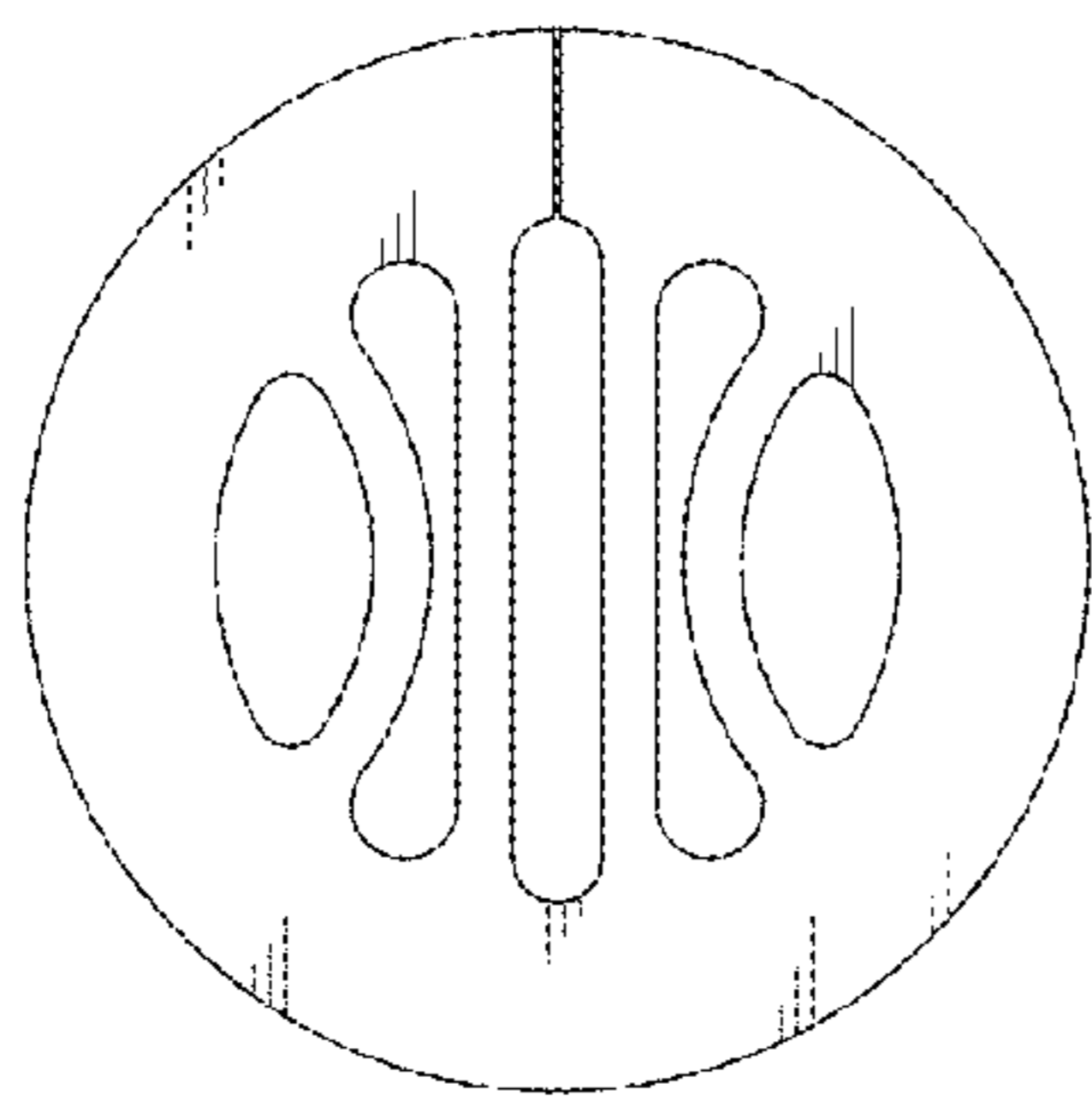


FIG. 2

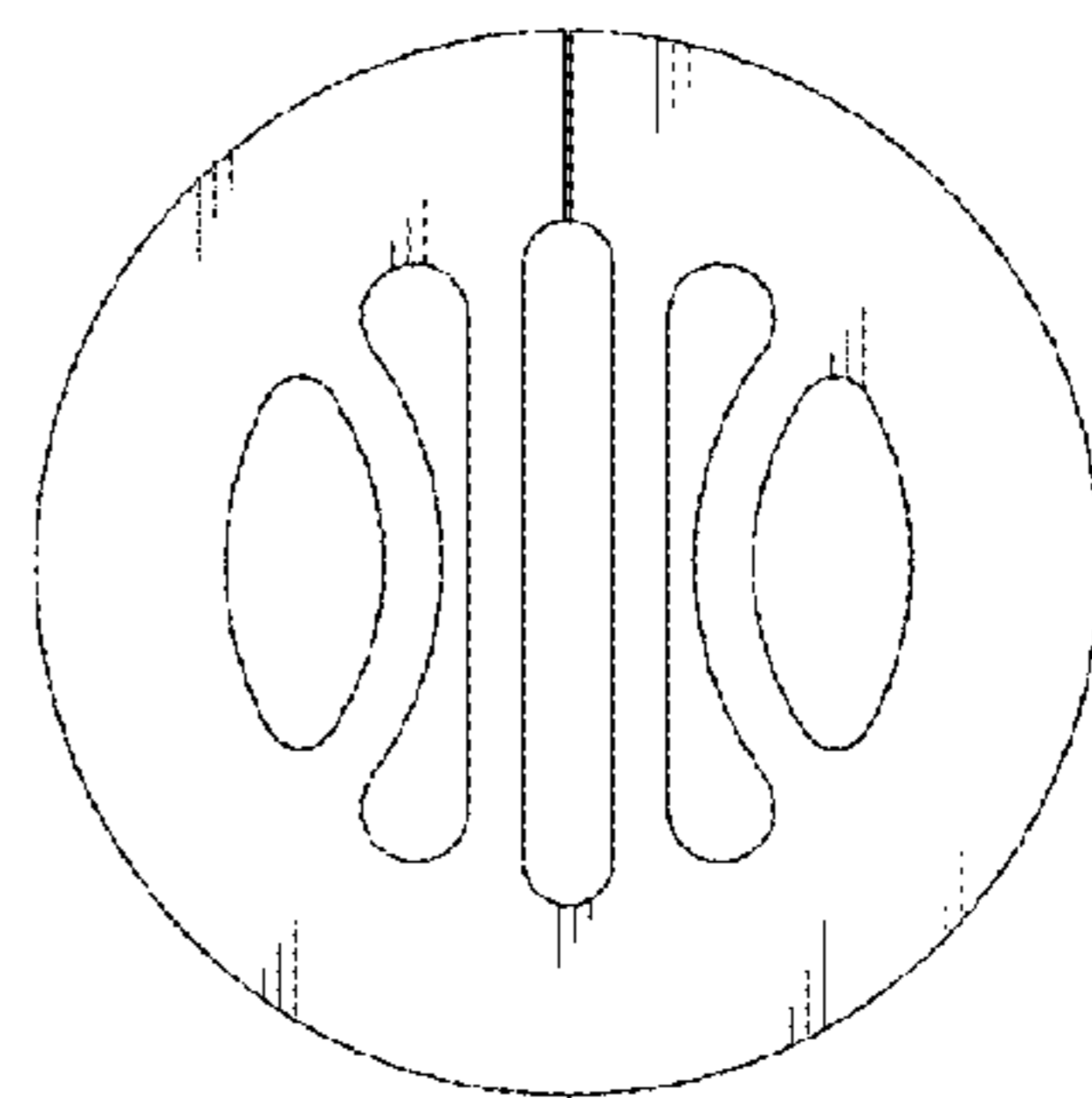


FIG. 3

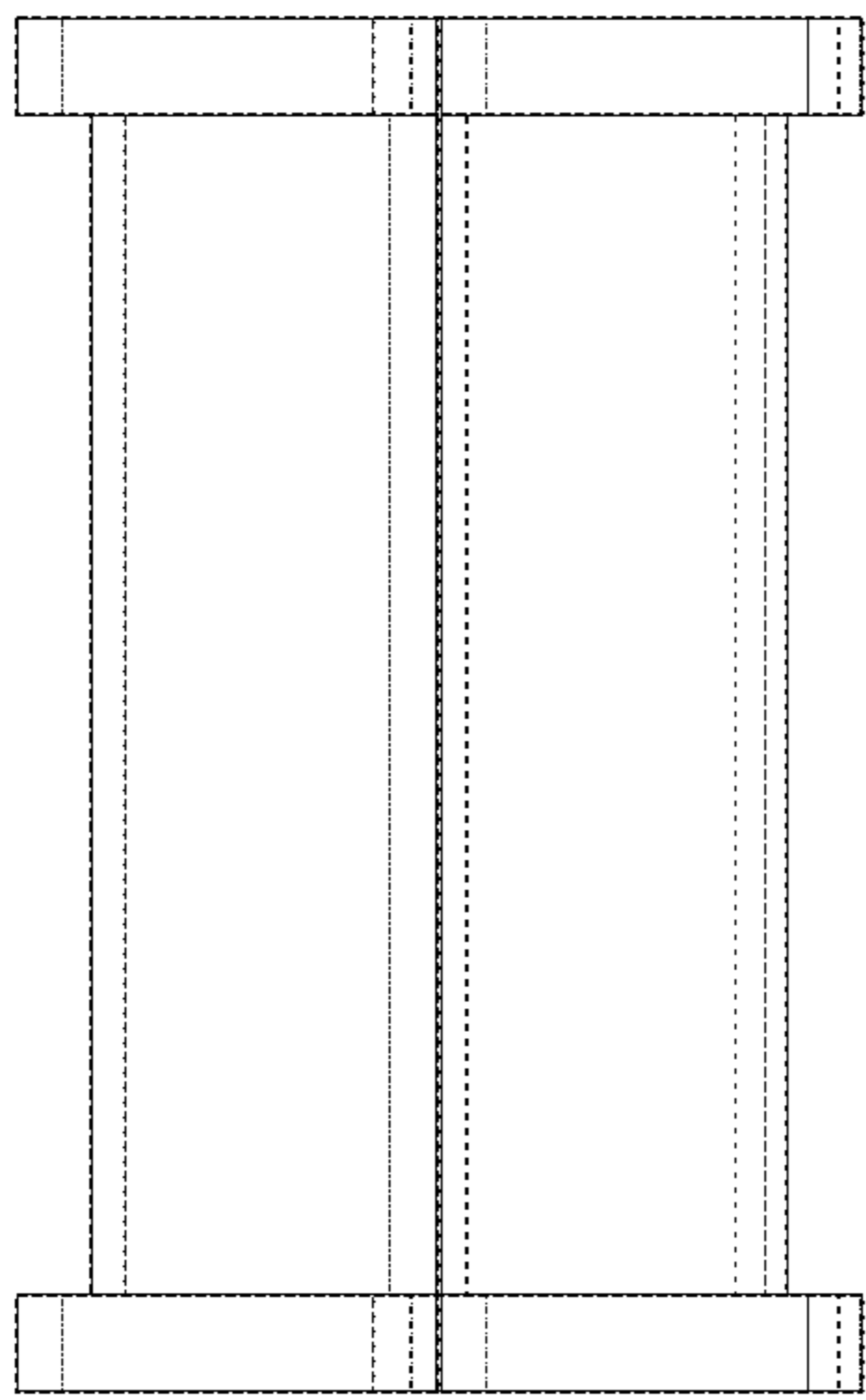


FIG. 4

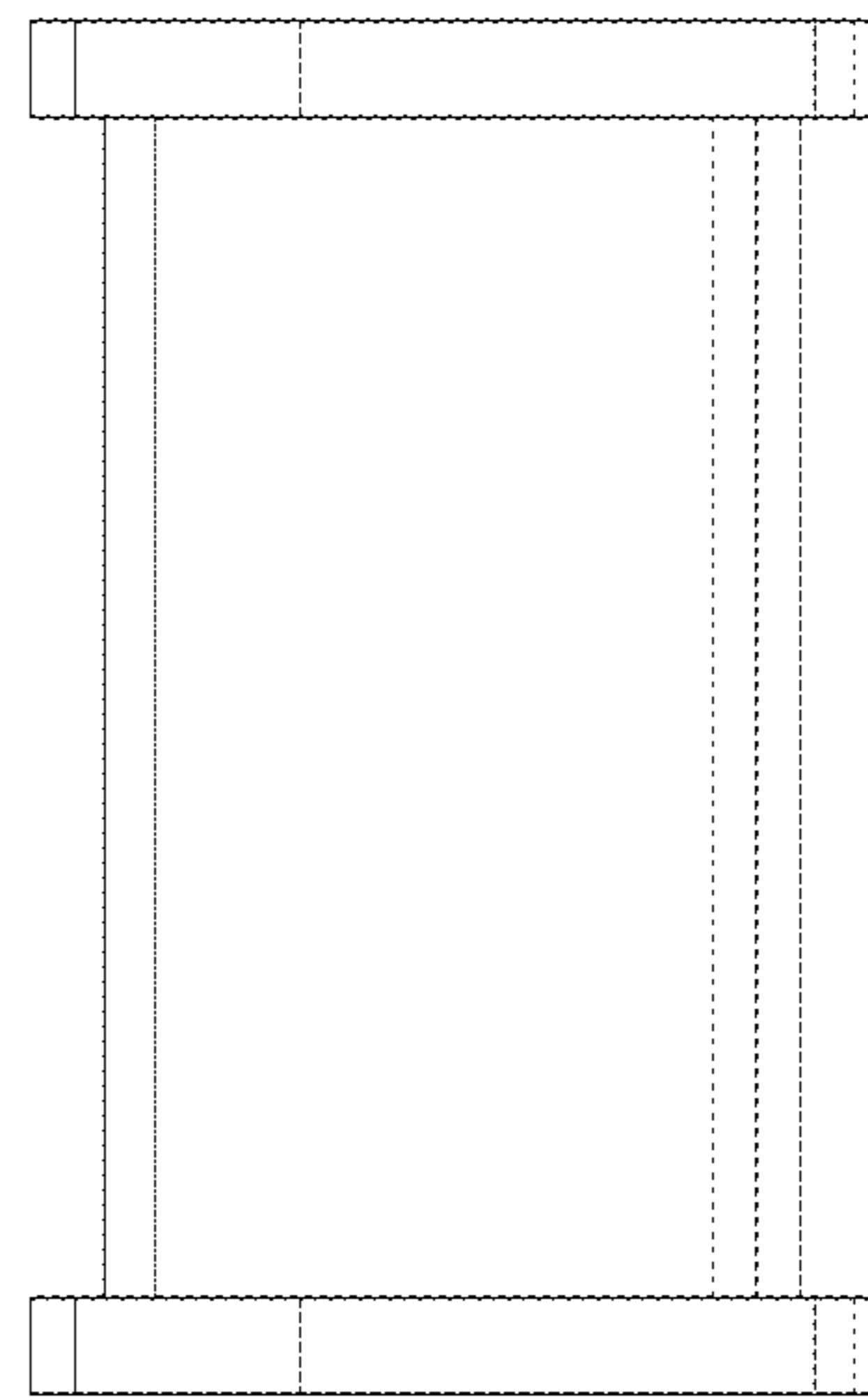


FIG. 5

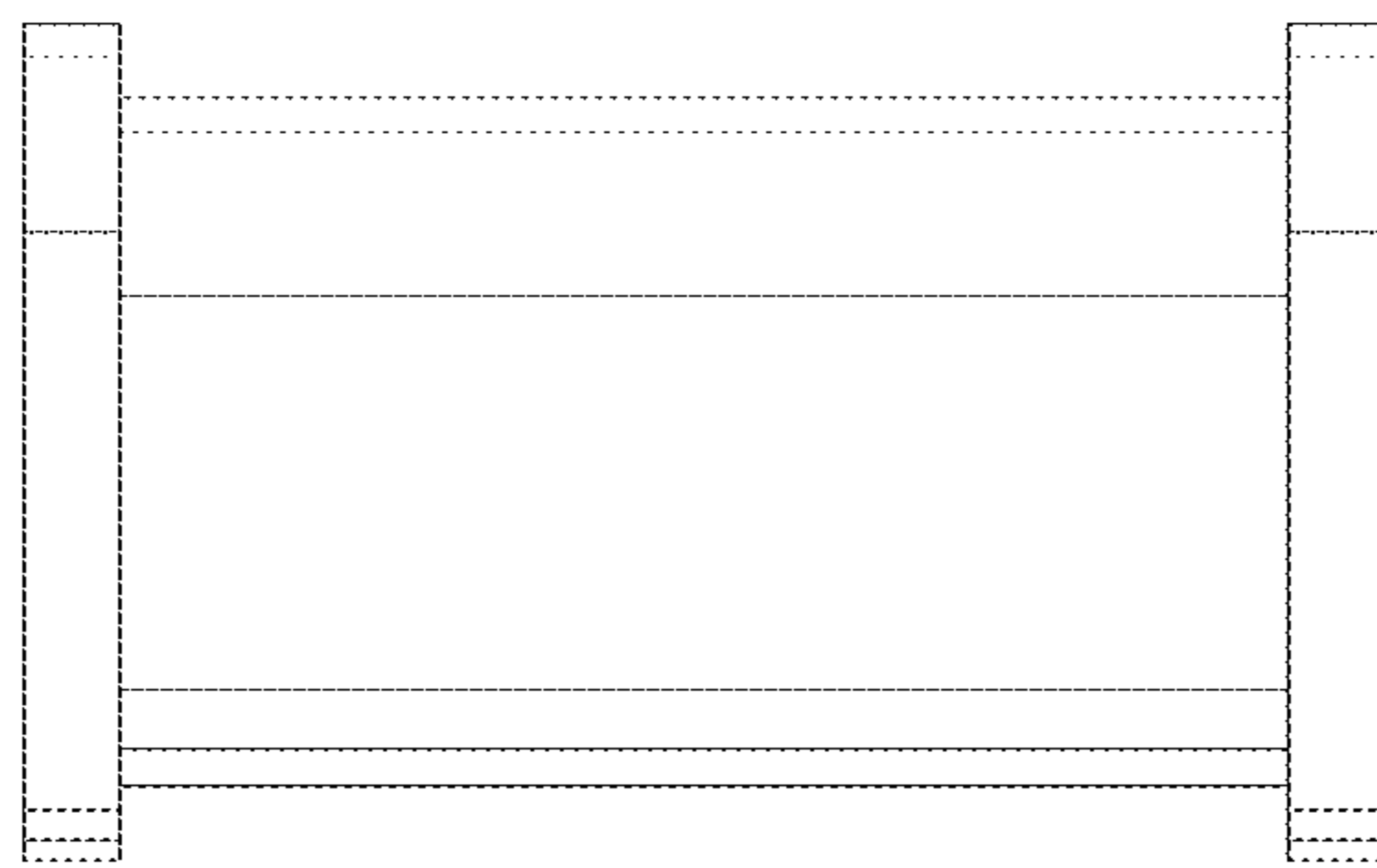


FIG. 6

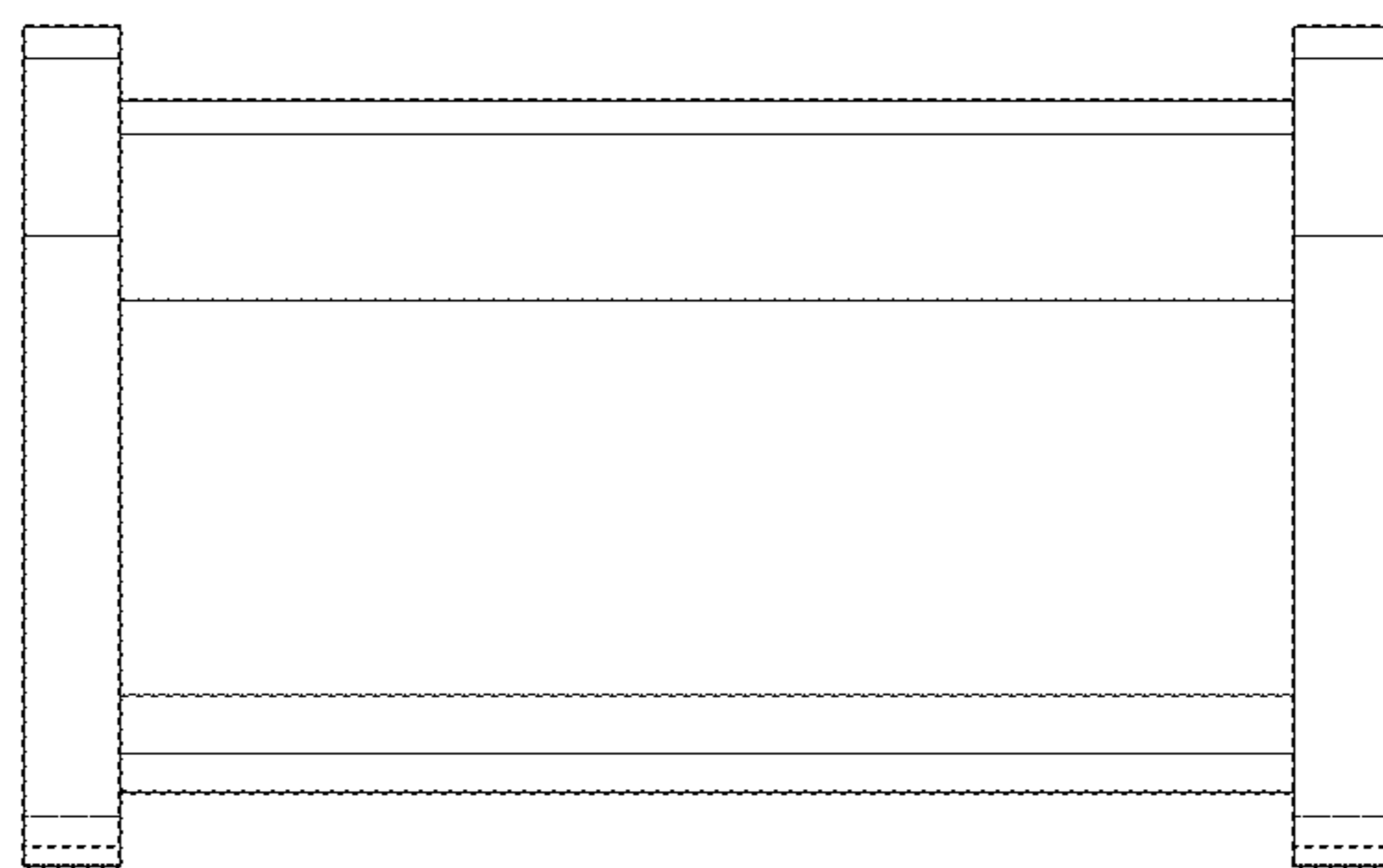


FIG. 7