



US00D707102S

(12) **United States Design Patent**
Hale

(10) **Patent No.:** **US D707,102 S**
(45) **Date of Patent:** **** Jun. 17, 2014**

(54) **STRIKER PLATE U-BOLT LOCK**
(71) Applicant: **Daniel D. Hale**, Garden Grove, CA (US)
(72) Inventor: **Daniel D. Hale**, Garden Grove, CA (US)
(**) Term: **14 Years**

(21) Appl. No.: **29/442,623**
(22) Filed: **Apr. 5, 2013**
(51) **LOC (10) Cl.** **08-07**
(52) **U.S. Cl.**
USPC **D8/343; D8/331**
(58) **Field of Classification Search**
USPC D8/330, 343, 345, 339, 341, 349, 400;
70/57, 57.1, 129, 141, 266, 431;
292/340, 341.11, 341.13, 341.18;
16/86 R
See application file for complete search history.

(56) **References Cited**
U.S. PATENT DOCUMENTS
4,105,235 A * 8/1978 Thiel 292/341.18
4,183,568 A * 1/1980 Ferracane 292/341.18
D261,225 S * 10/1981 Sterling D8/344
D263,675 S * 4/1982 Vorves D8/343
4,397,168 A * 8/1983 Rotondi et al. 70/417

D283,299 S * 4/1986 Mazie D8/343
5,016,930 A * 5/1991 Hamilton 292/340
D351,781 S * 10/1994 DeWitt D8/344
D419,425 S * 1/2000 Clark et al. D8/343
6,834,897 B1 * 12/2004 Walker 292/340
7,207,608 B2 * 4/2007 Monts de Oca 292/341.18
D672,631 S * 12/2012 Novak et al. D8/330
D689,758 S * 9/2013 Mikaide D8/343

* cited by examiner

Primary Examiner — Prabhakar Deshmukh

(57) **CLAIM**
The ornamental design for a “striker plate U-bolt lock,” as shown.

DESCRIPTION

FIG. 1 is a perspective view of a striker plate U-bolt lock showing my new design;
FIG. 2 is a right side elevational view thereof;
FIG. 3 is a left side elevational view thereof;
FIG. 4 is a front elevational view thereof;
FIG. 5 is a rear elevational view thereof;
FIG. 6 is a top plan view thereof; and,
FIG. 7 is a bottom plan view thereof.
The broken lines shown in FIG. 1 are for illustrative purposes only and form no part of the claimed design.

1 Claim, 3 Drawing Sheets

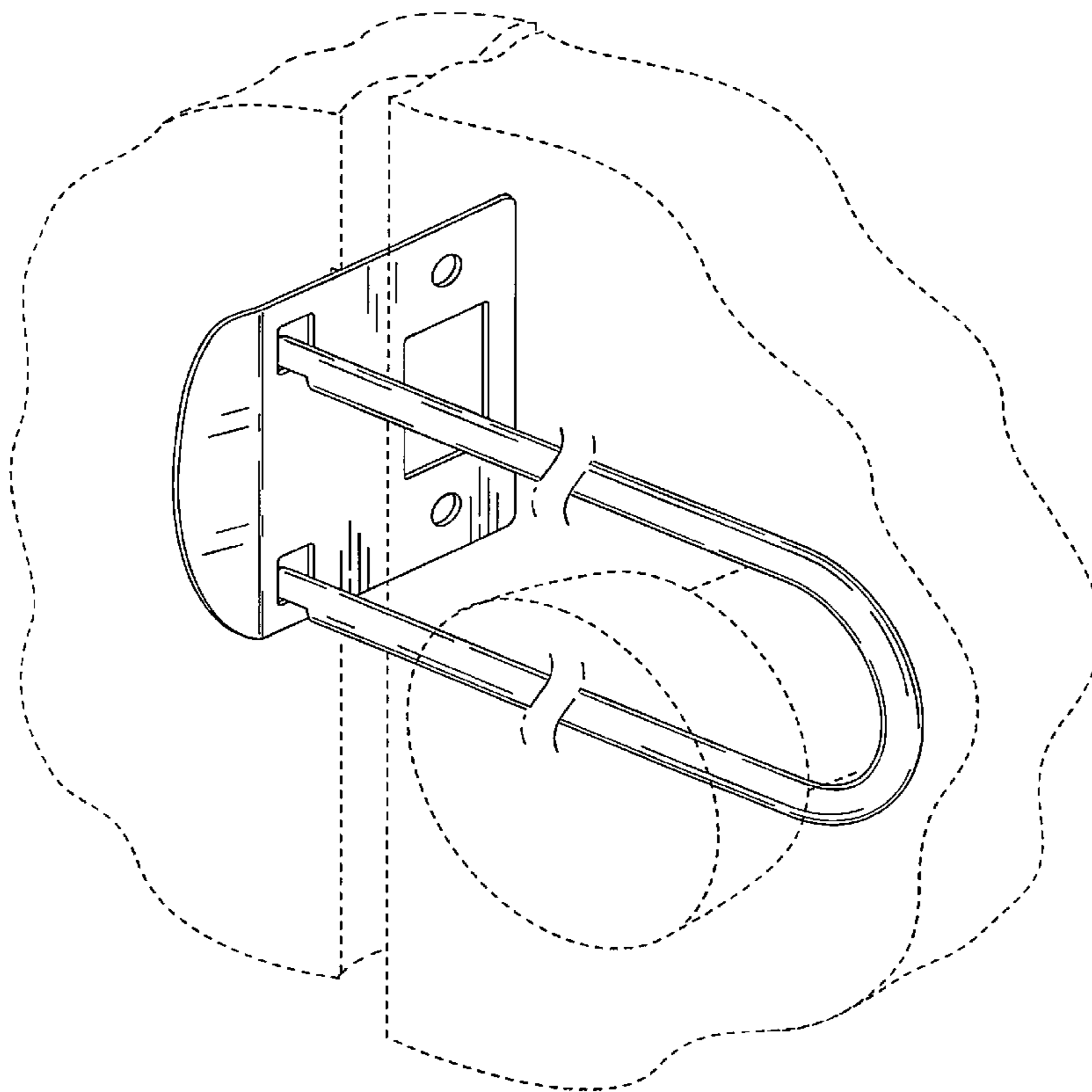


Fig. 1

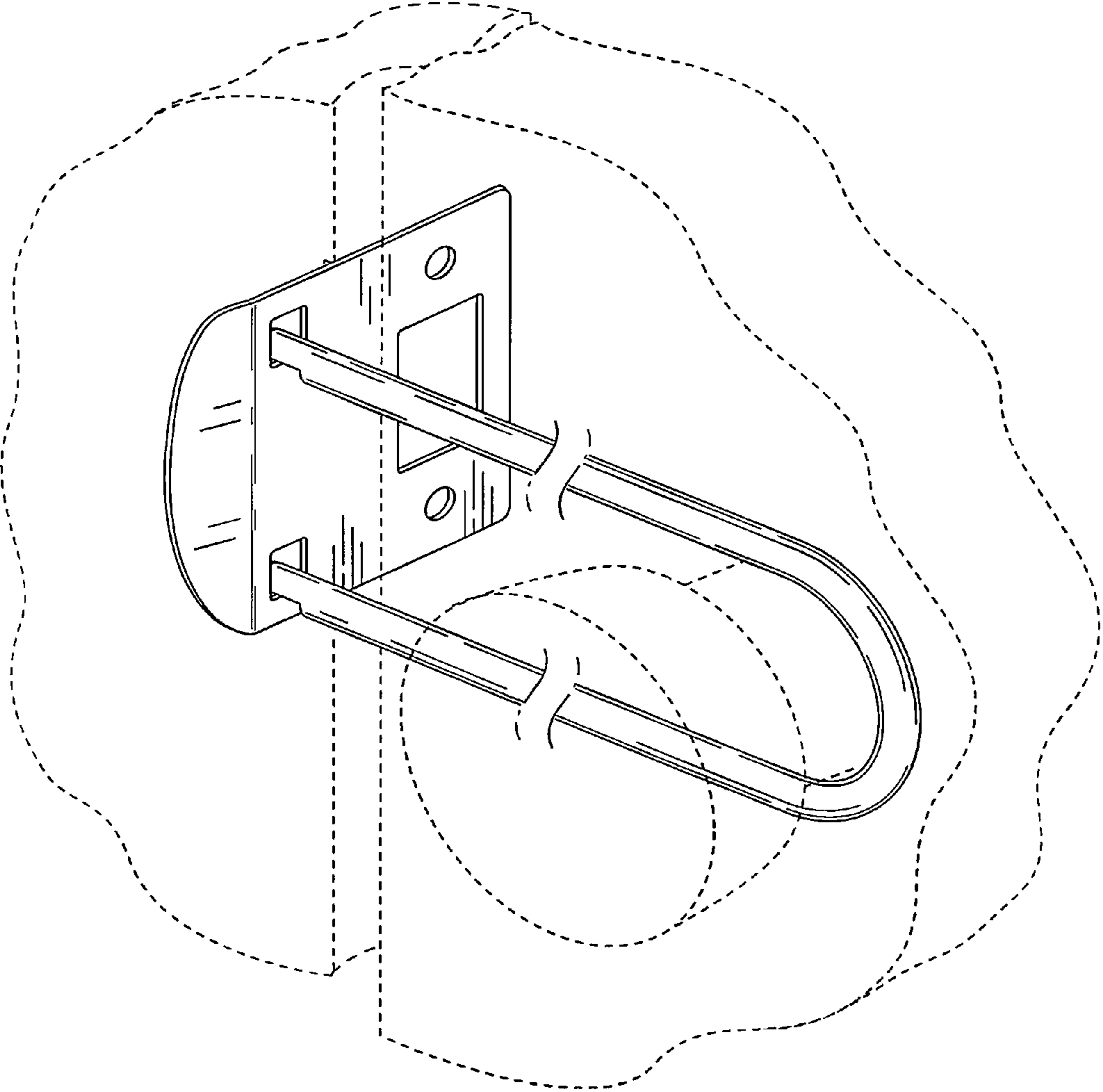


Fig. 2

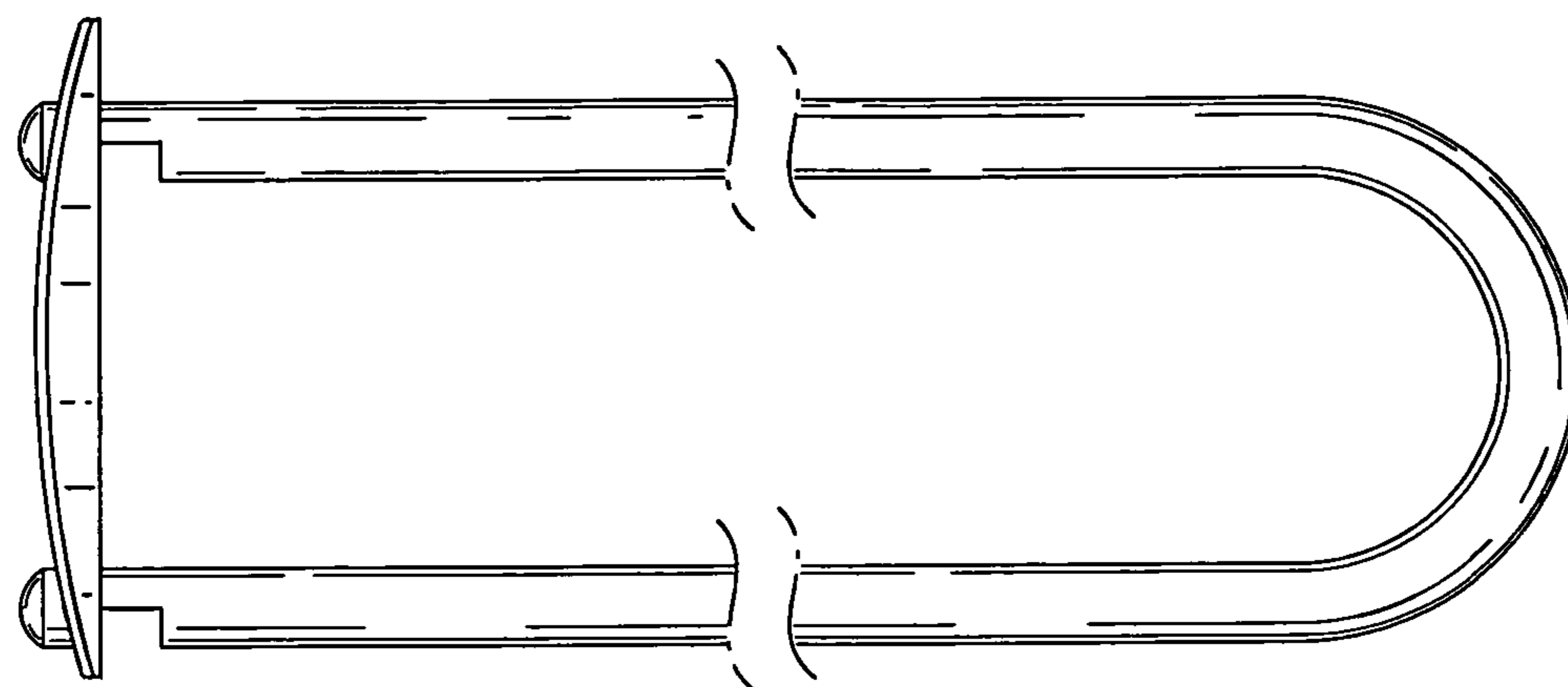


Fig. 3

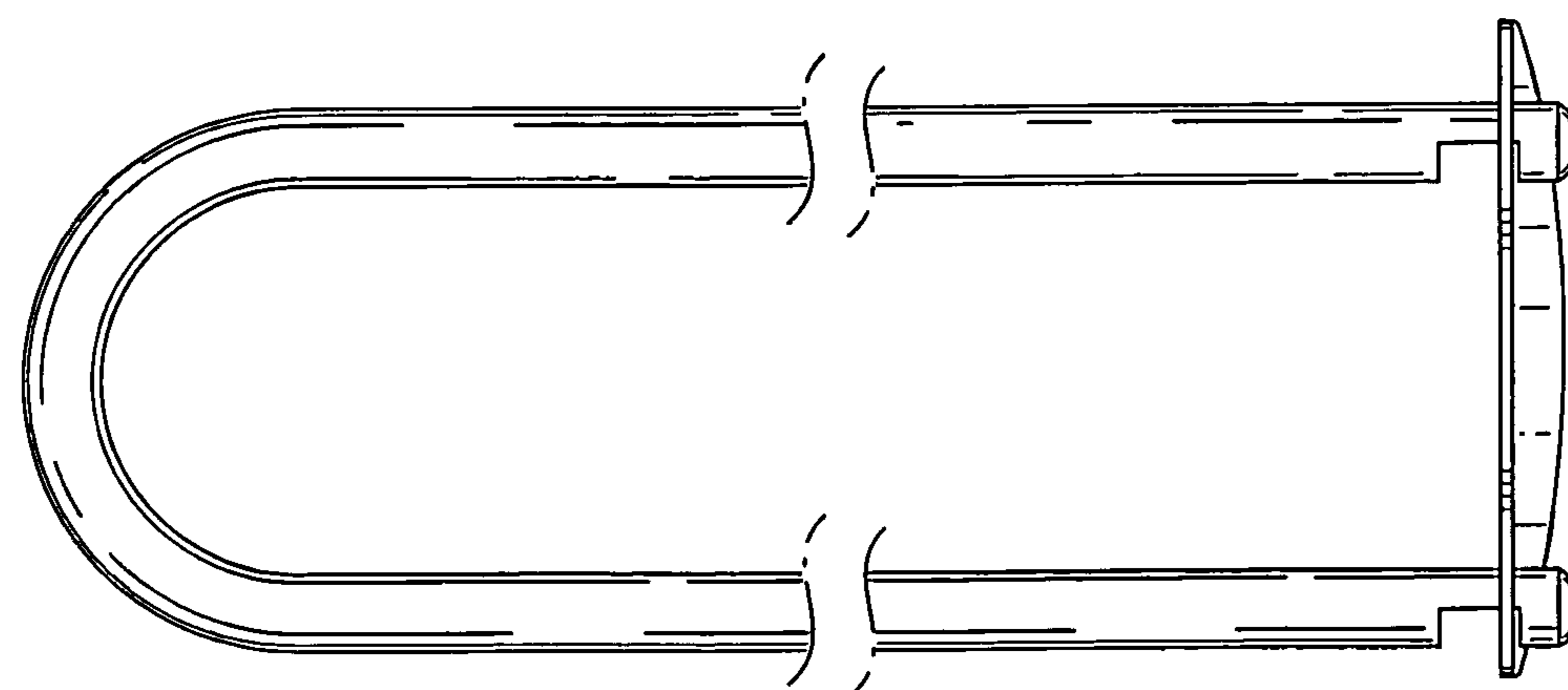


Fig. 4

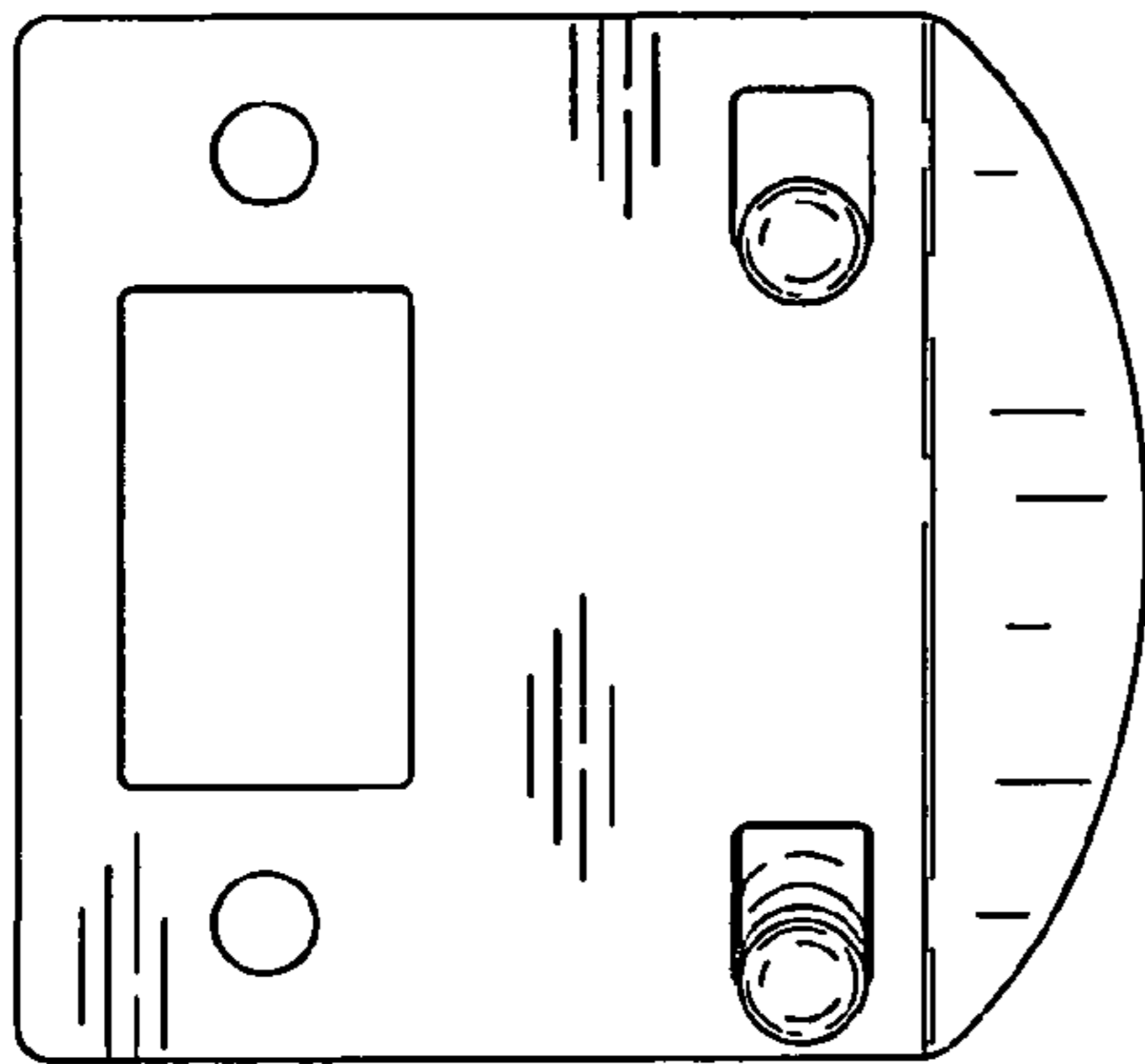


Fig. 5

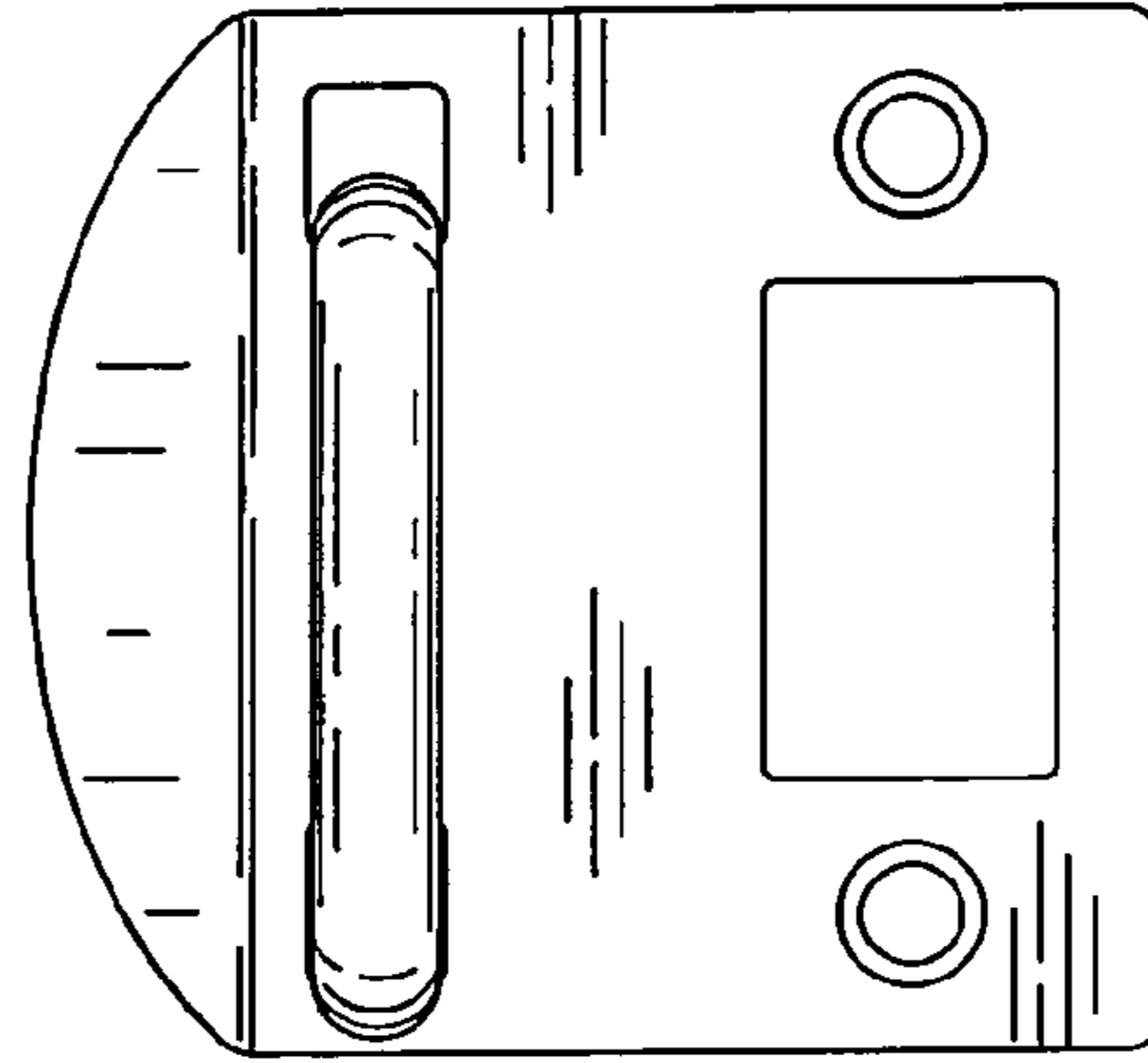


Fig. 6

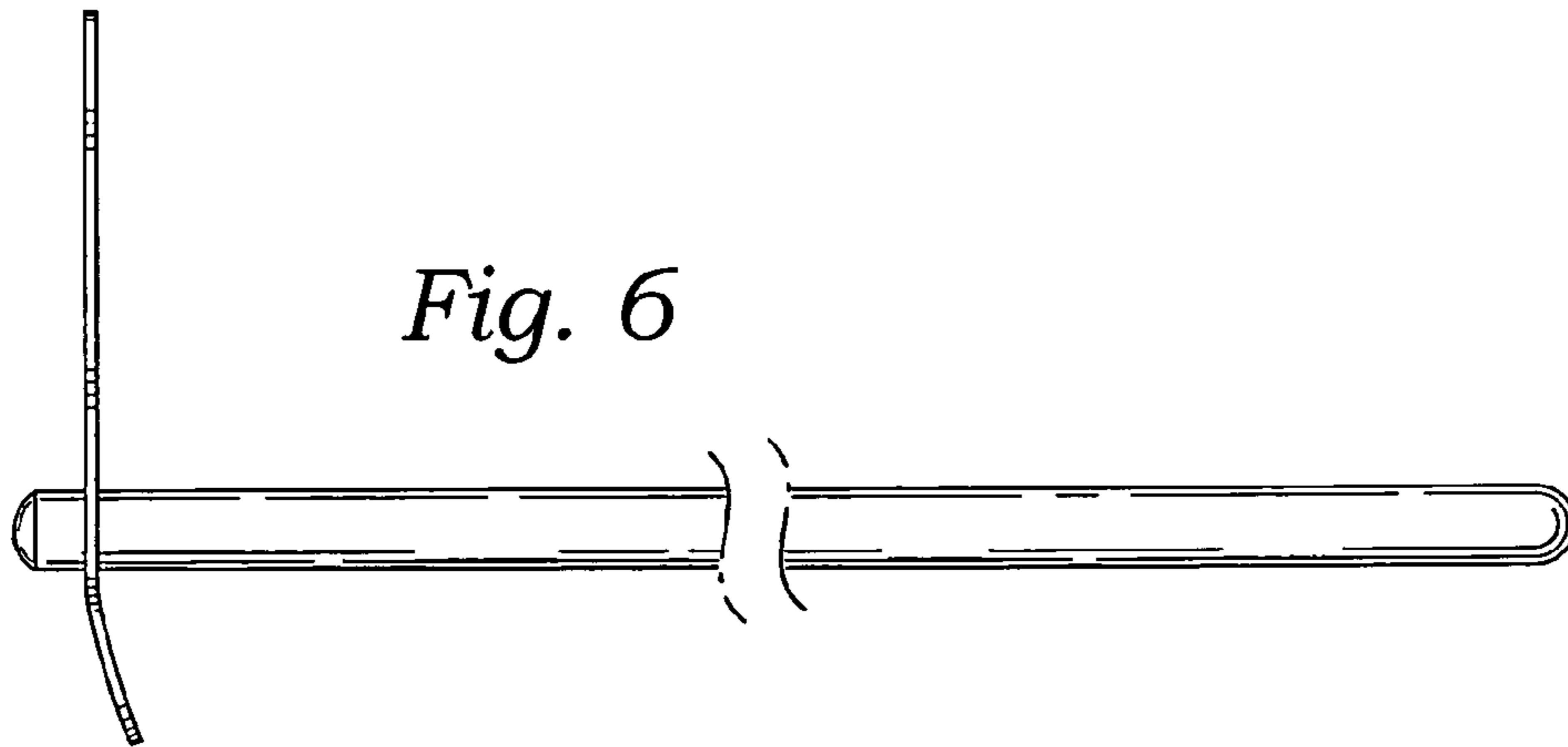


Fig. 7

