



US00D707100S

(12) **United States Design Patent**
Kinsky et al.

(10) **Patent No.:** **US D707,100 S**
(45) **Date of Patent:** **** Jun. 17, 2014**

- (54) **REPLACEABLE BIN LATCH**
- (71) Applicant: **LF Centennial Ltd.**, Tortola (VG)
- (72) Inventors: **Terrence P. Kinsky**, Alpharetta, GA (US); **Matthew G. Williams**, Lighthouse Point, FL (US)
- (73) Assignee: **LF Centennial Ltd.**, Tortola (VG)
- (**) Term: **14 Years**
- (21) Appl. No.: **29/448,223**
- (22) Filed: **Mar. 11, 2013**
- (51) **LOC (10) Cl.** **08-07**
- (52) **U.S. Cl.**
USPC **D8/331**
- (58) **Field of Classification Search**
USPC D8/330, 331, 343, 349, 370, 382, 394, D8/400, 499; 70/1, 14, 51, 57.1, 59, 141, 70/164, 431, 465, 466; 248/107, 153, 175, 248/302, 303; 292/253, 256, 288
See application file for complete search history.

- D637,061 S * 5/2011 Mitchell et al. D8/331
- D685,251 S * 7/2013 Porat D8/343
- 8,485,382 B2 * 7/2013 Raghunathan et al. 220/324
- 8,511,502 B2 * 8/2013 Wong 220/324
- D695,588 S * 12/2013 Cantwell et al. D8/331

* cited by examiner

Primary Examiner — Prabhakar Deshmukh

(74) *Attorney, Agent, or Firm* — Duane Morris LLP; J. Rodman Steele, Jr.; Gregory M. Lefkowitz

(57) **CLAIM**

The ornamental design for a replaceable bin latch, as shown and described.

DESCRIPTION

FIG. 1 is a front perspective view of a replaceable bin latch showing our new design;
 FIG. 2 is a back perspective view thereof;
 FIG. 3 is a front elevation view thereof;
 FIG. 4 is a top view thereof;
 FIG. 5 is a bottom view thereof;
 FIG. 6 is a left side view thereof;
 FIG. 7 is a back plan view thereof; and,
 FIG. 8 is a sectional view thereof, taken along line 8-8 of FIG. 3.
 The right side view is a mirror image of the left side view thereof.

1 Claim, 4 Drawing Sheets

(56) **References Cited**

U.S. PATENT DOCUMENTS

- 6,062,623 A * 5/2000 Lemmen 296/37.8
- 6,669,243 B2 * 12/2003 Katoh et al. 292/34
- D492,184 S * 6/2004 Parker et al. D8/331
- D543,437 S * 5/2007 Mallory et al. D8/330
- 7,552,954 B2 * 6/2009 Rozo et al. 292/336.3

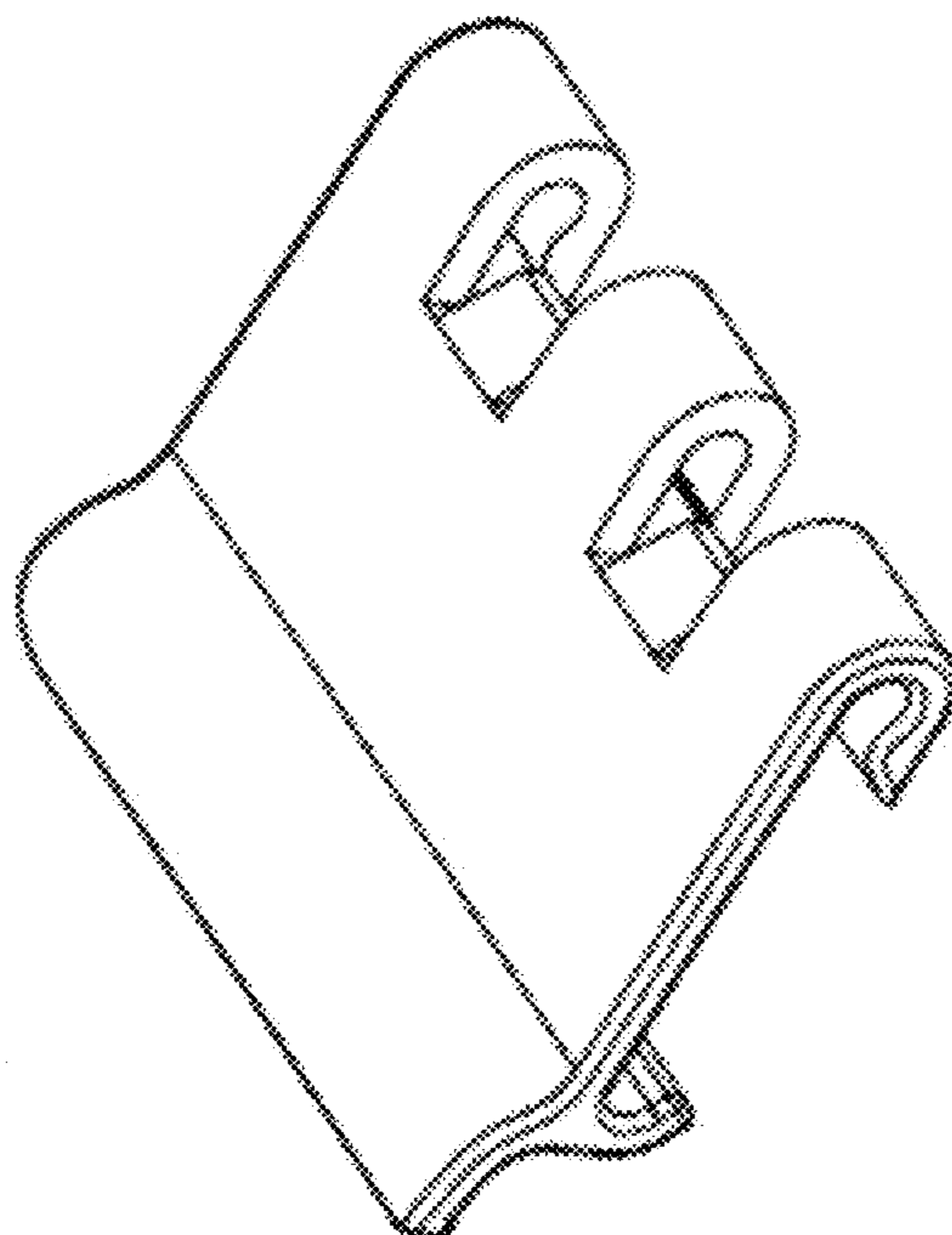


Fig. 1

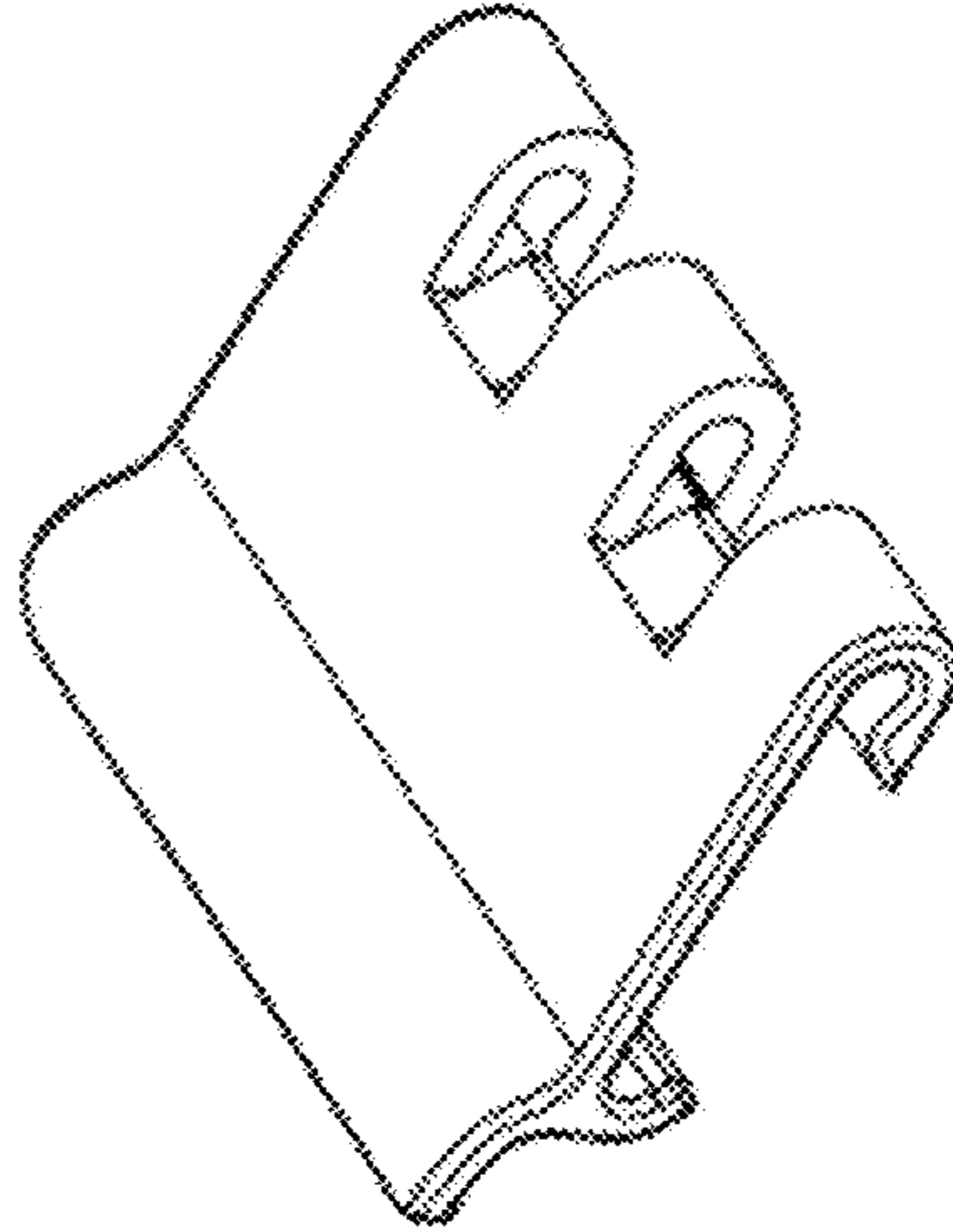


Fig. 2

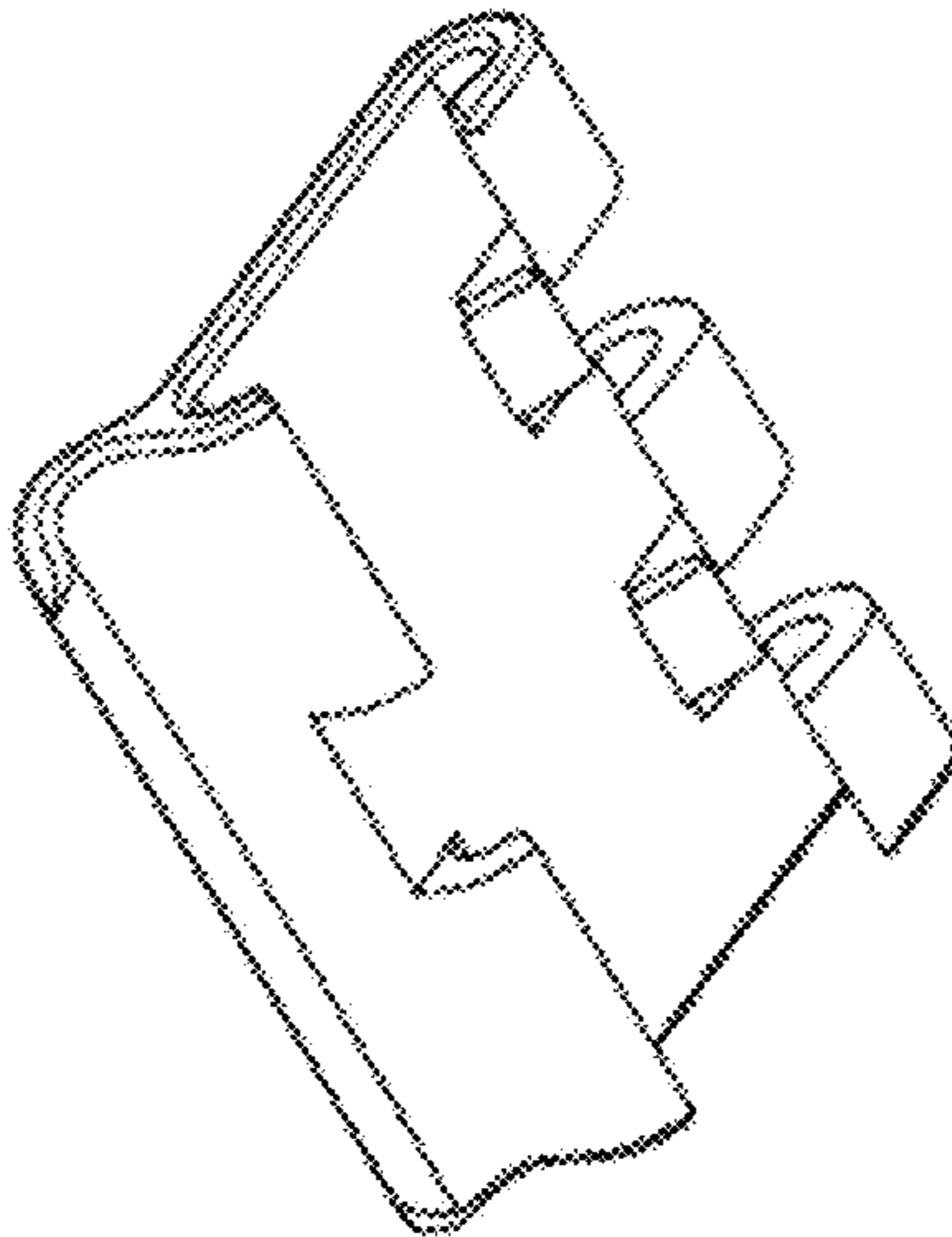


Fig. 3

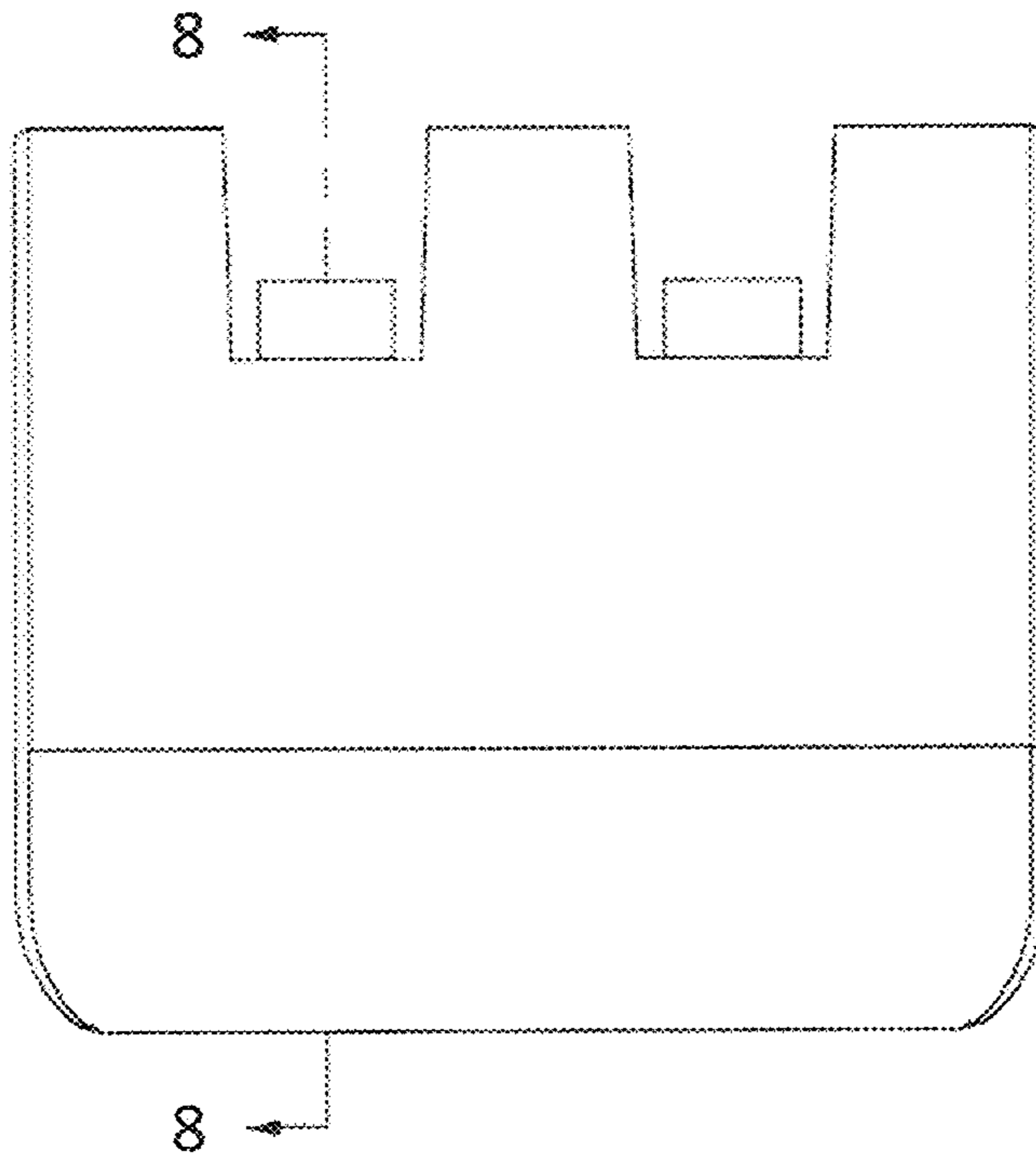


Fig. 4

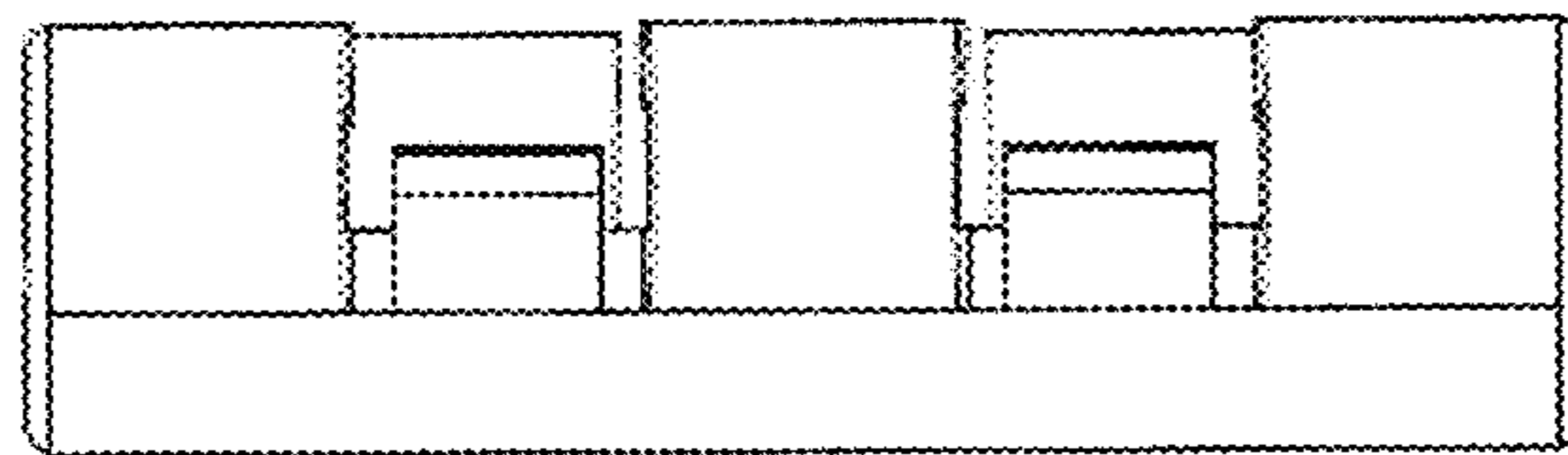


Fig. 5

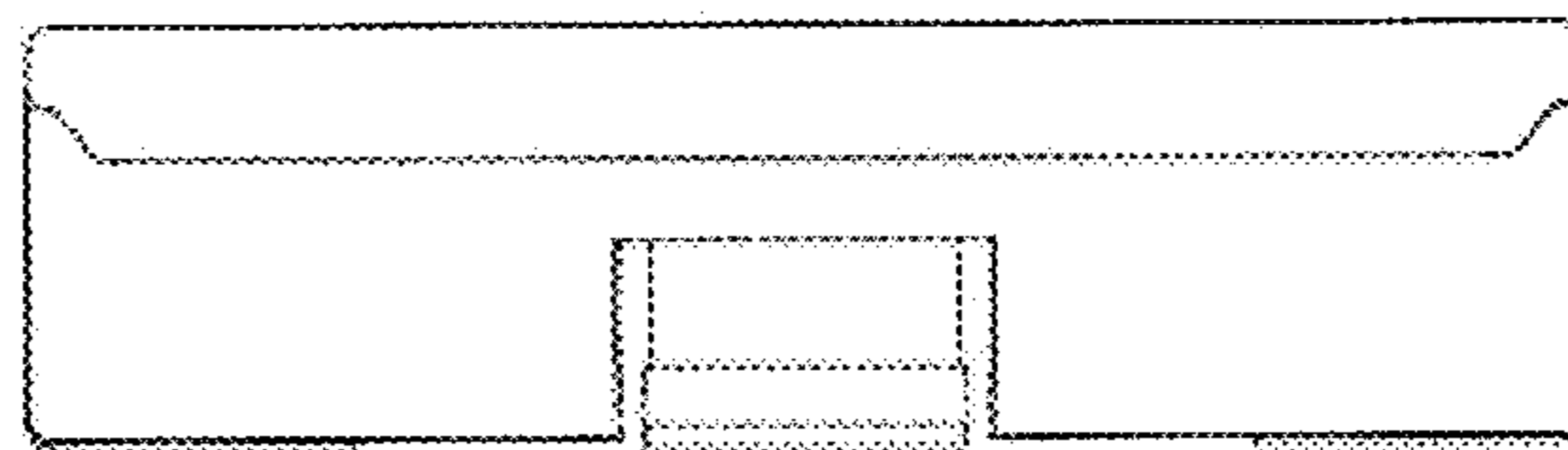


Fig. 6

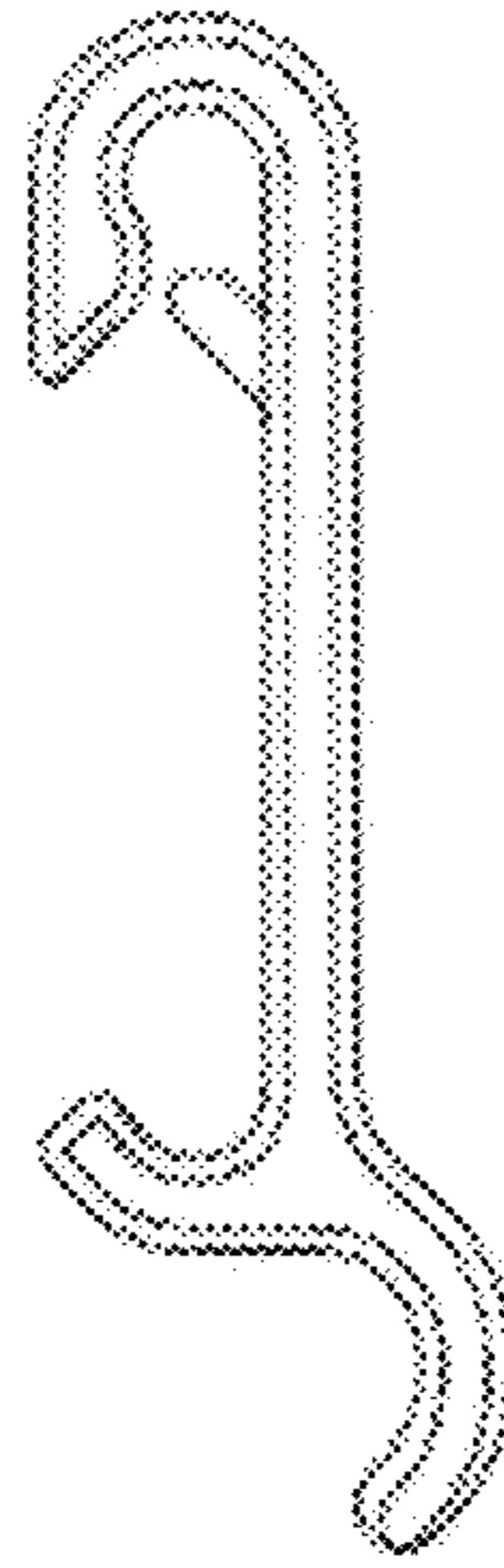


Fig. 7

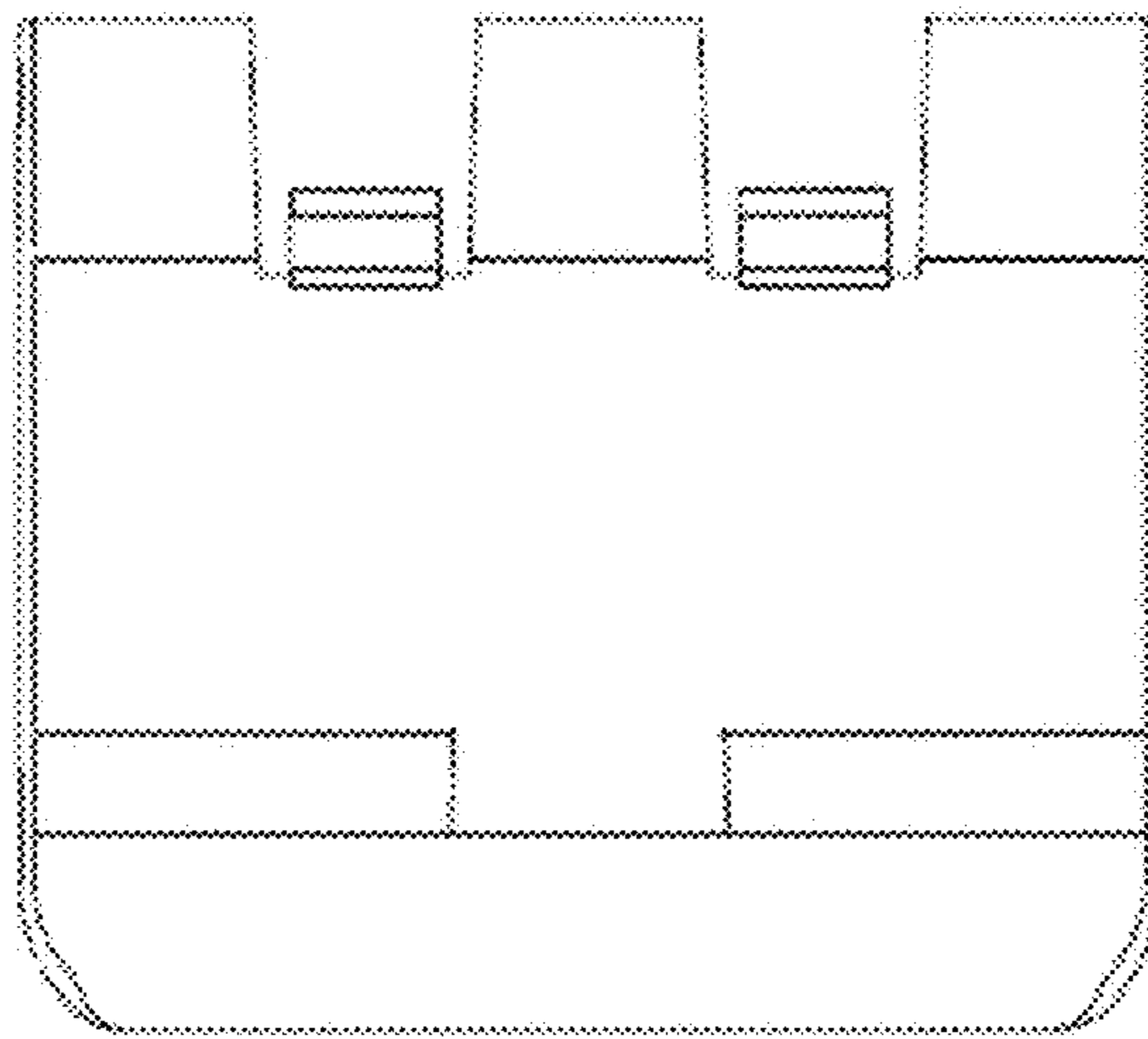


Fig. 8

