



US00D707099S

(12) **United States Design Patent**  
**Nicholson**

(10) **Patent No.:** **US D707,099 S**  
(45) **Date of Patent:** **\*\* Jun. 17, 2014**

- (54) **DOOR SUPPORT HINGE**
- (75) Inventor: **Jeff Nicholson**, Long Beach, CA (US)
- (73) Assignee: **Cambro Manufacturing Company**,  
Huntington Beach, CA (US)
- (\*\*) Term: **14 Years**
- (21) Appl. No.: **29/420,370**
- (22) Filed: **May 8, 2012**
- (51) **LOC (10) Cl.** ..... **08-06**
- (52) **U.S. Cl.**  
USPC ..... **D8/323**
- (58) **Field of Classification Search**  
USPC ..... D8/323, 331, 336, 354; D3/324;  
D23/303; 4/236, 240; 16/309, 235,  
16/275, 244, 379, 390, 430, 241, 238, 225,  
16/250, 362, 365, 279; 248/224.7, 682;  
312/324; D16/334  
See application file for complete search history.

D498,136 S *	11/2004	Parker	.....	D8/380
D523,731 S *	6/2006	Weinerman et al.	.....	D8/343
7,340,800 B2 *	3/2008	Gulley	.....	16/273
D611,324 S *	3/2010	Dawson	.....	D8/323
D616,286 S *	5/2010	Foresman	.....	D8/354
D623,041 S *	9/2010	Ayrest	.....	D8/327
8,479,679 B1 *	7/2013	Wiese	.....	116/173
8,490,246 B2 *	7/2013	Waddell	.....	16/238

\* cited by examiner

*Primary Examiner* — Cynthia Underwood  
(74) *Attorney, Agent, or Firm* — George F. Bethel

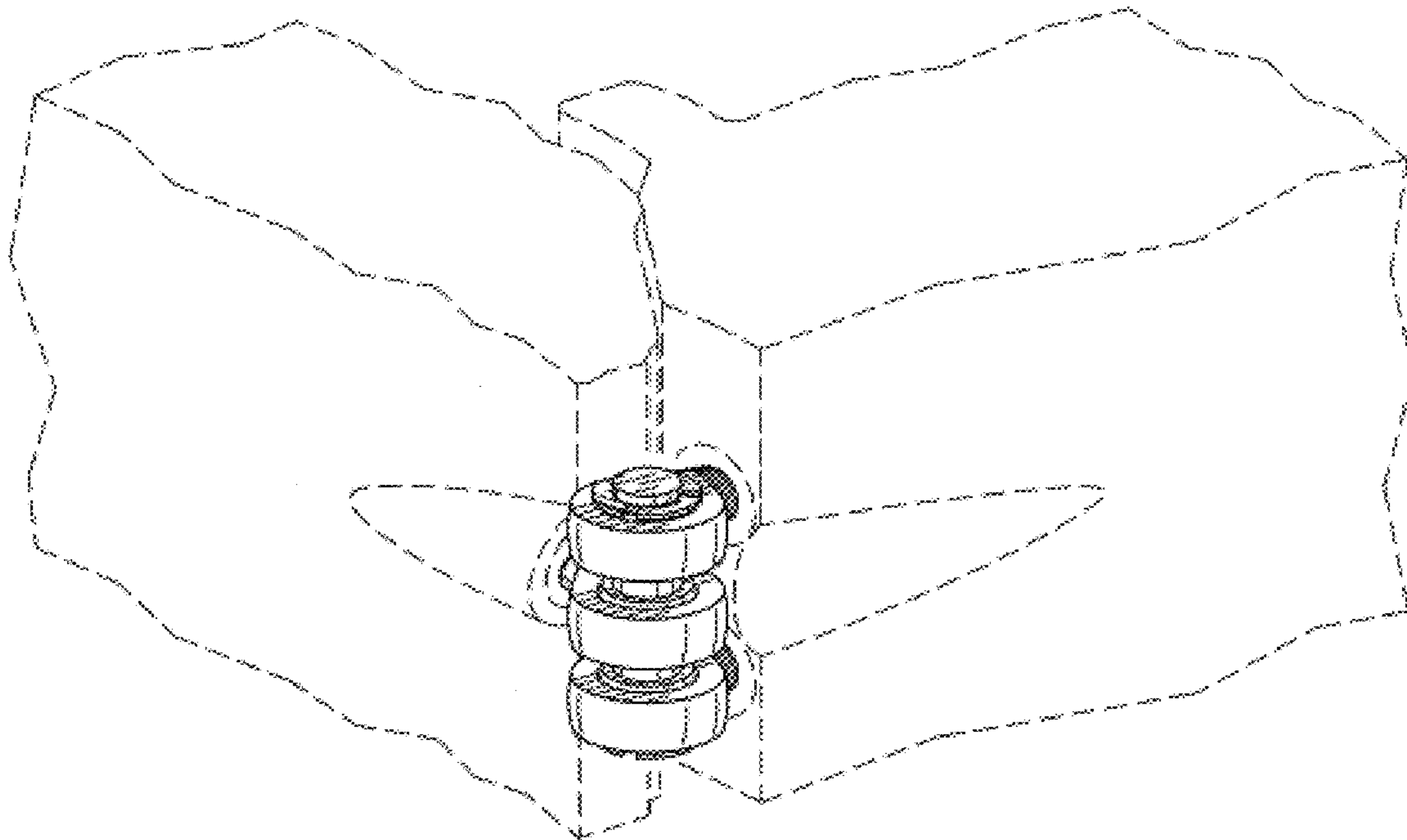
(57) **CLAIM**  
I claim the ornamental design for a door support hinge, as shown and described.

**DESCRIPTION**

FIG. 1 is a frontal perspective view of the door support hinge. FIG. 2 is a front elevation view. FIG. 3 is a left side elevation view. FIG. 4 is a top plan view. FIG. 5 is a right side elevation view. FIG. 6 is a rear elevation view. FIG. 7 is a bottom plan view; and, FIG. 8 is a top plan view with the door support hinge in an open position. The broken lines represent environment and form no part of the claim.

**1 Claim, 5 Drawing Sheets**

- (56) **References Cited**  
U.S. PATENT DOCUMENTS  
3,278,981 A \* 10/1966 Glenn et al. .... 16/275  
3,899,905 A \* 8/1975 Walters ..... 70/91  
D402,881 S \* 12/1998 Fischer ..... D8/354  
D453,102 S \* 1/2002 Postelwait ..... D8/349



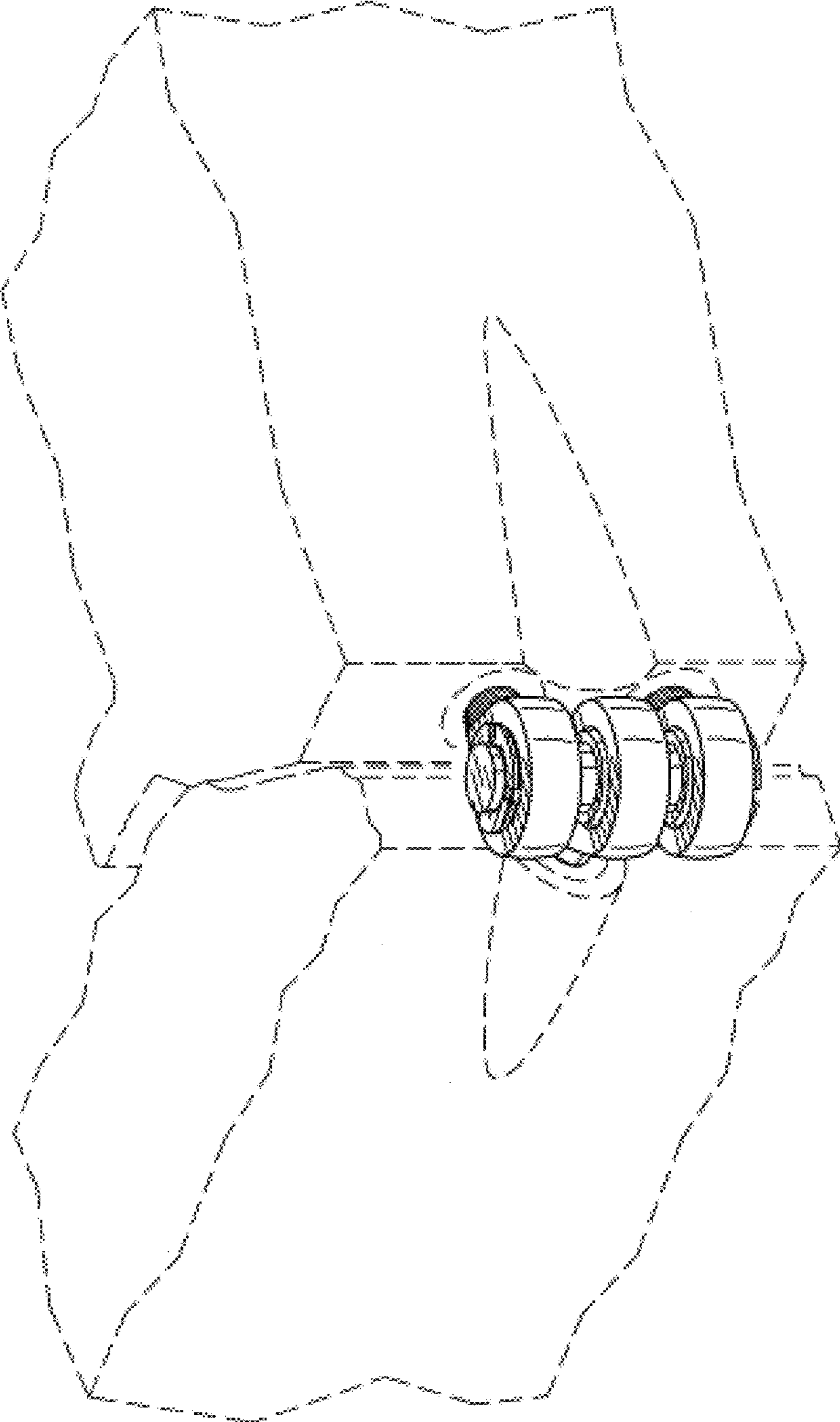


FIG. 1

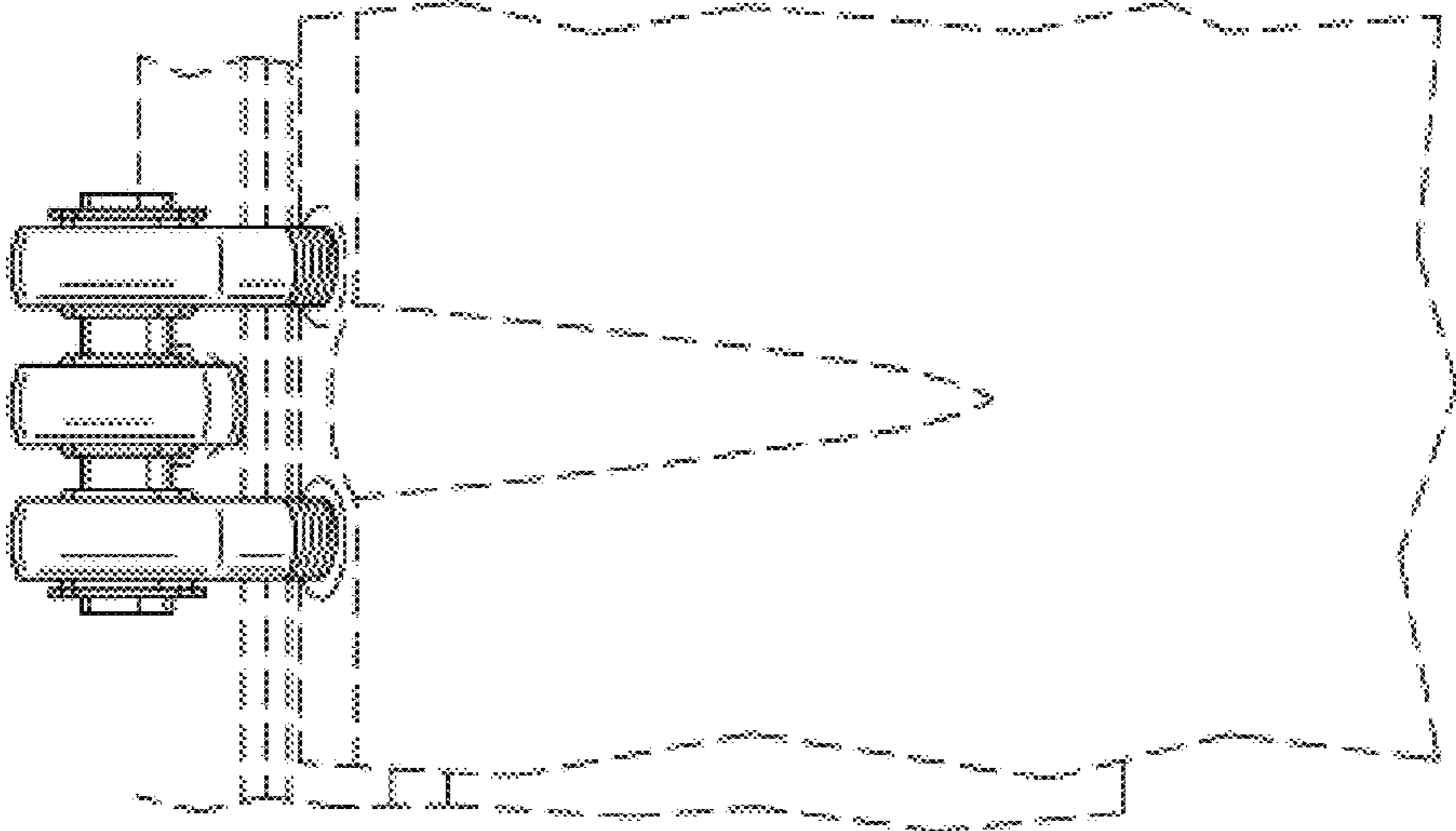


FIG. 2

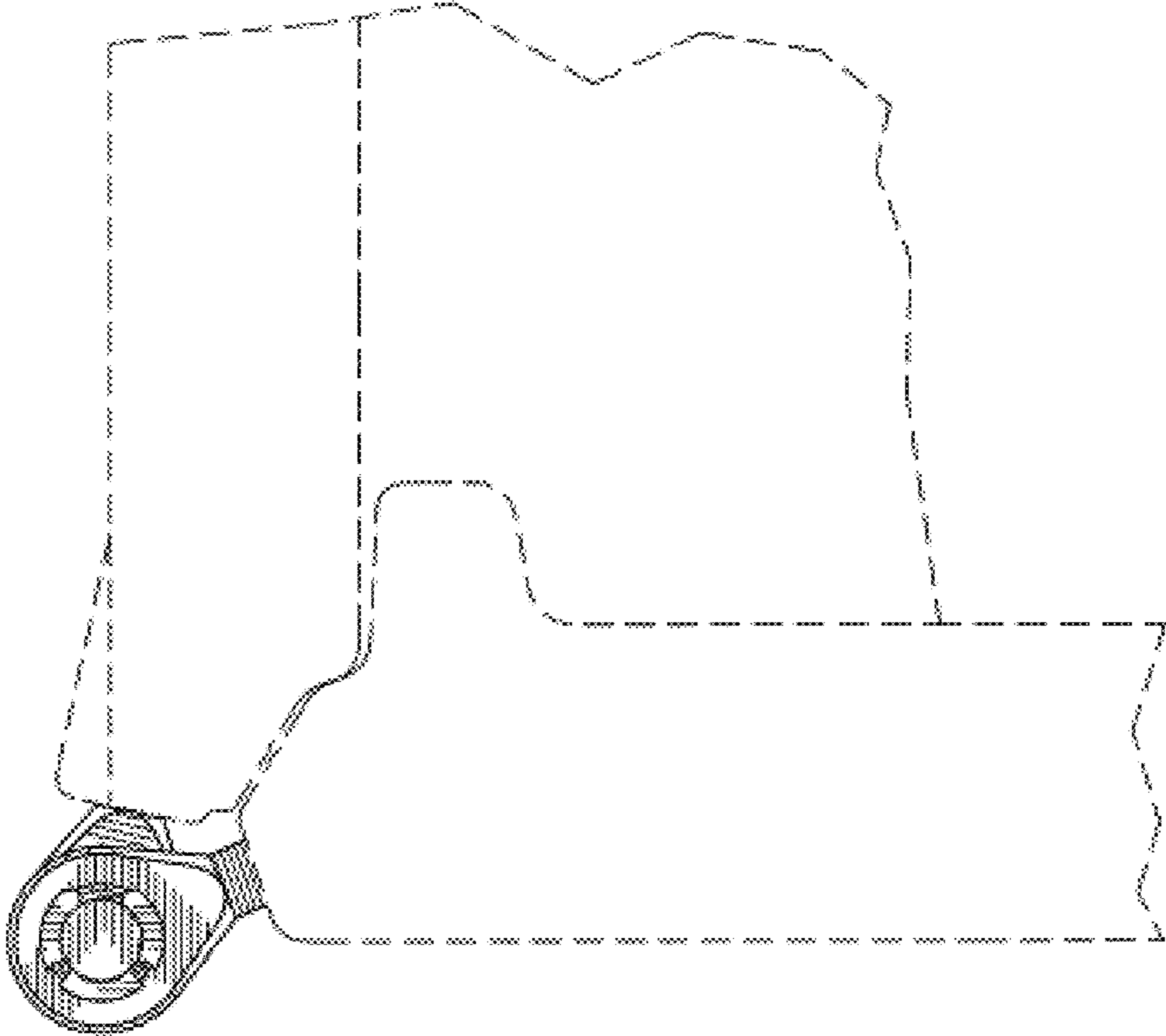


FIG. 4

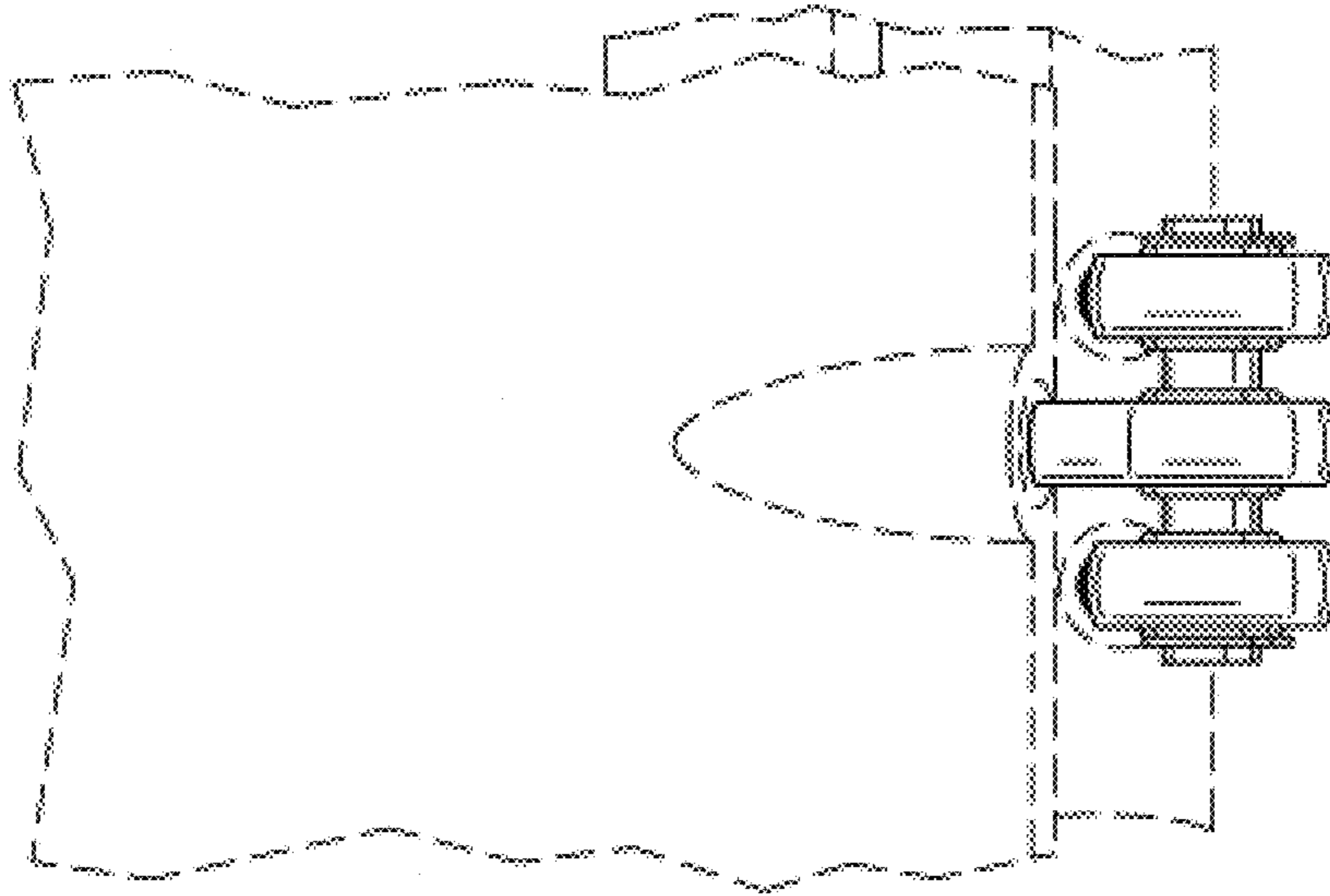


FIG. 3

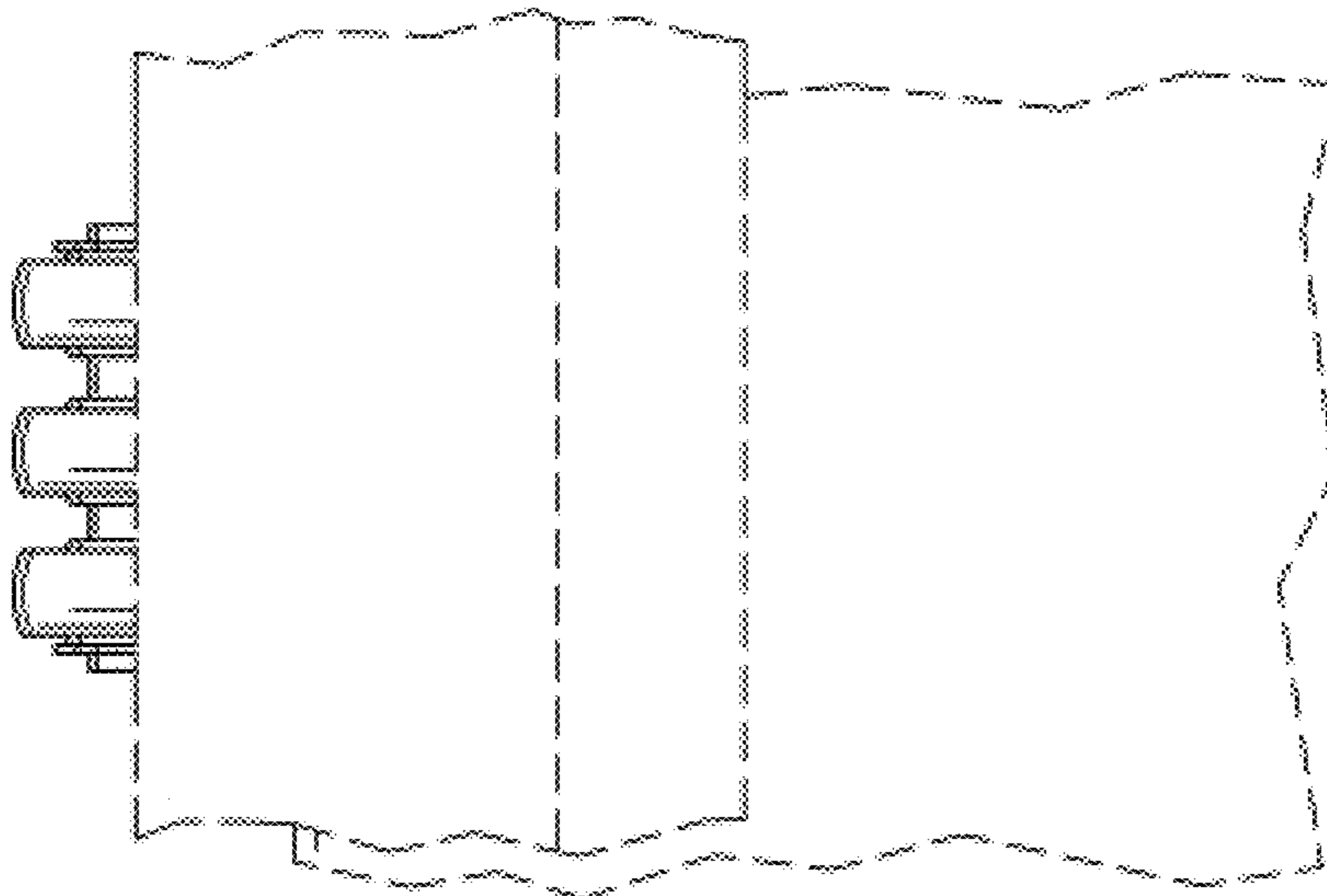


FIG. 5

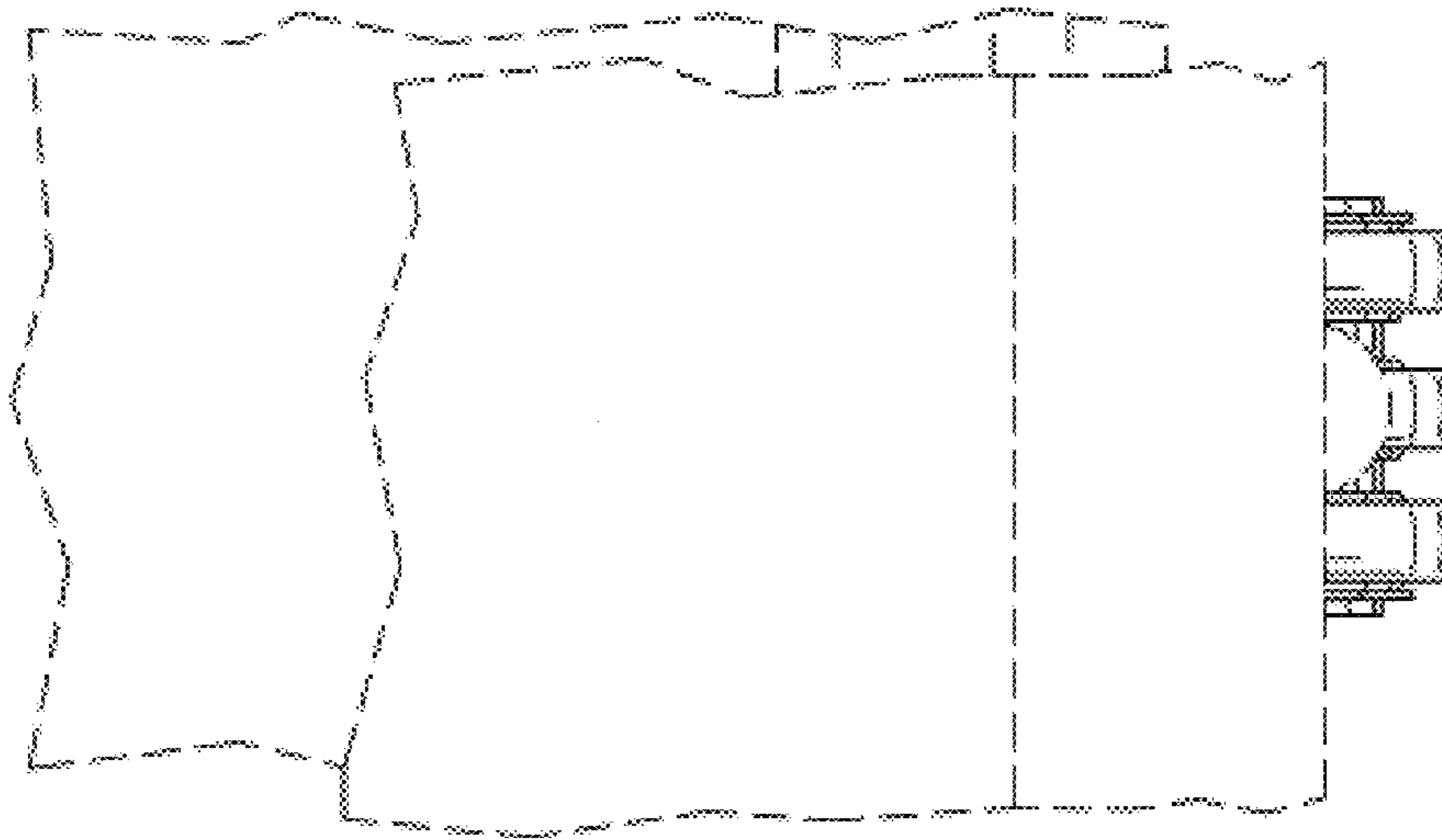


FIG. 6

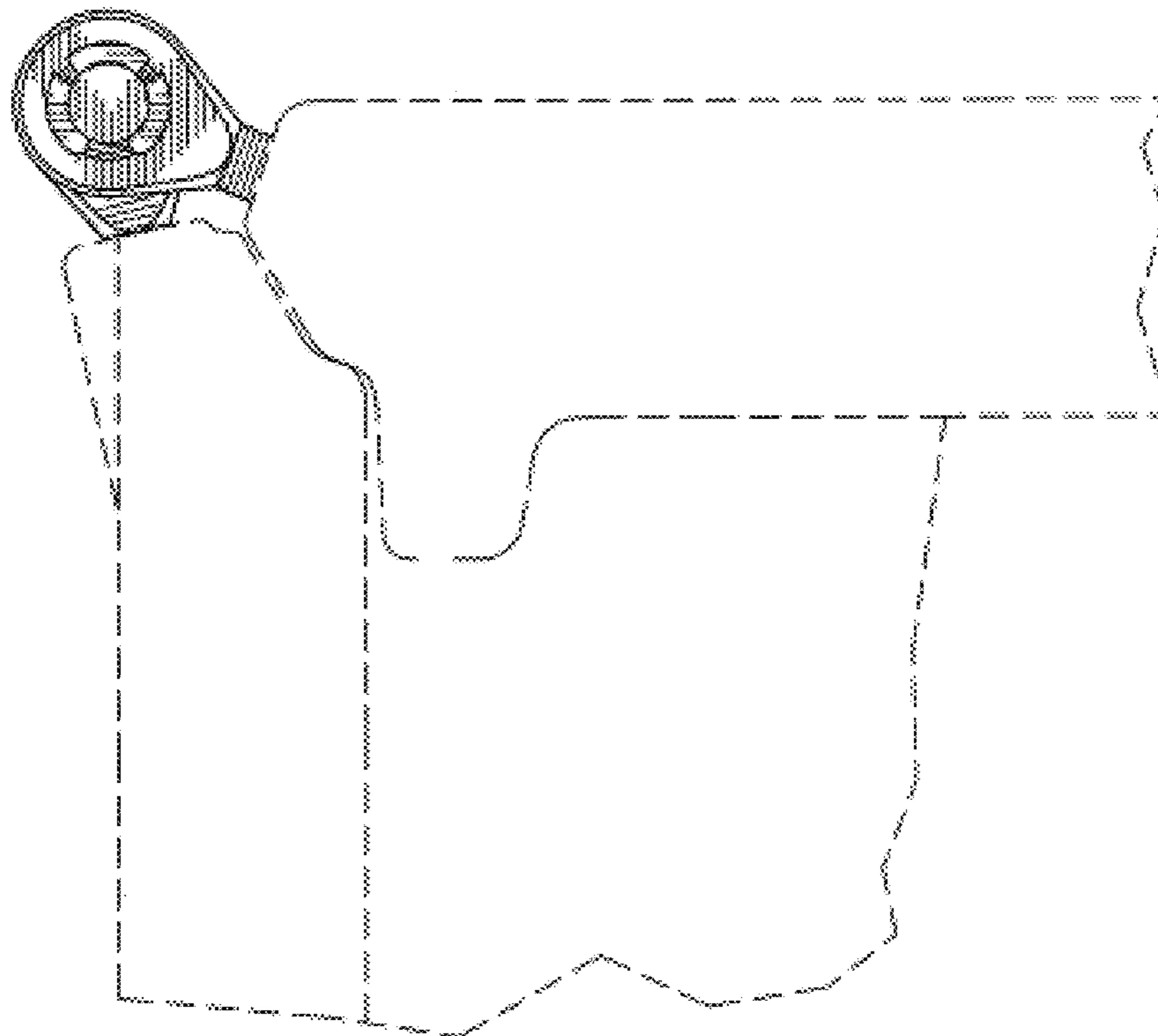
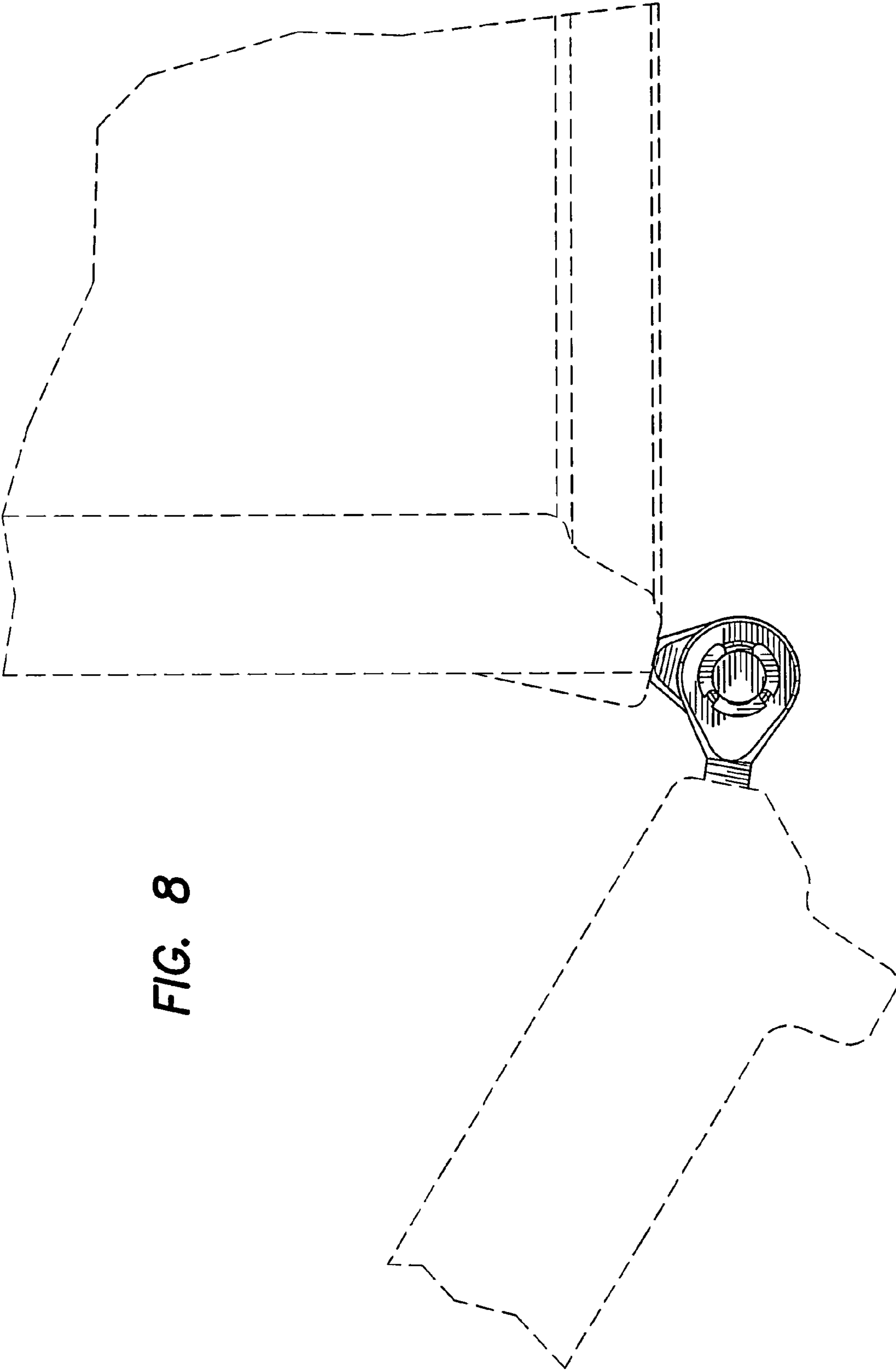


FIG. 7



**FIG. 8**