



US00D707098S

(12) **United States Design Patent**  
**Han**

(10) **Patent No.:** **US D707,098 S**  
(45) **Date of Patent:** **\*\* Jun. 17, 2014**

(54) **CABINET KNOB**

(71) Applicant: **Hardware Resources, Inc.**, Bossier City, LA (US)

(72) Inventor: **Kukjin Han**, High Point, NC (US)

(73) Assignee: **Hardware Resources, Inc.**, Bossier City, LA (US)

(\*\*) Term: **14 Years**

(21) Appl. No.: **29/457,094**

(22) Filed: **Jun. 6, 2013**

(51) **LOC (10) Cl.** ..... **08-06**

(52) **U.S. Cl.**

CPC ..... **A47B 95/02** (2013.01)

USPC ..... **D8/307; D8/305**

(58) **Field of Classification Search**

CPC ..... **A47B 95/02**

USPC ..... **D14/307, 305, 300, 310; D6/524;**

**D7/393; 16/110.1, 417, 415; D23/250,**

**D23/254; 292/347, 352, 336.3, 348, 350**

See application file for complete search history.

(56) **References Cited**

**U.S. PATENT DOCUMENTS**

D197,212 S \* 12/1963 Clayton ..... D8/307

D204,128 S \* 3/1966 Clayton ..... D8/317

D252,183 S *	6/1979	DeWindt	.....	D8/300
D442,055 S *	5/2001	Dewald et al.	.....	D8/310
D540,142 S *	4/2007	Rexach	.....	D8/307
D563,195 S *	3/2008	Ricereto	.....	D8/310
D602,332 S *	10/2009	Hanes	.....	D8/307
D602,333 S *	10/2009	Hanes	.....	D8/307
D634,178 S *	3/2011	Owens	.....	D8/316
D679,978 S *	4/2013	Ramsland et al.	.....	D8/307
D679,979 S *	4/2013	Ramsland et al.	.....	D8/307
D680,405 S *	4/2013	Ramsland et al.	.....	D8/307

\* cited by examiner

*Primary Examiner* — Paula Greene

(74) *Attorney, Agent, or Firm* — Schultz & Associates, P.C.

(57) **CLAIM**

The ornamental design for a cabinet knob, as shown and described.

**DESCRIPTION**

FIG. 1 is a perspective view of a cabinet knob showing my new design;

FIG. 2 is a side elevational view thereof, the opposite side is a mirror image;

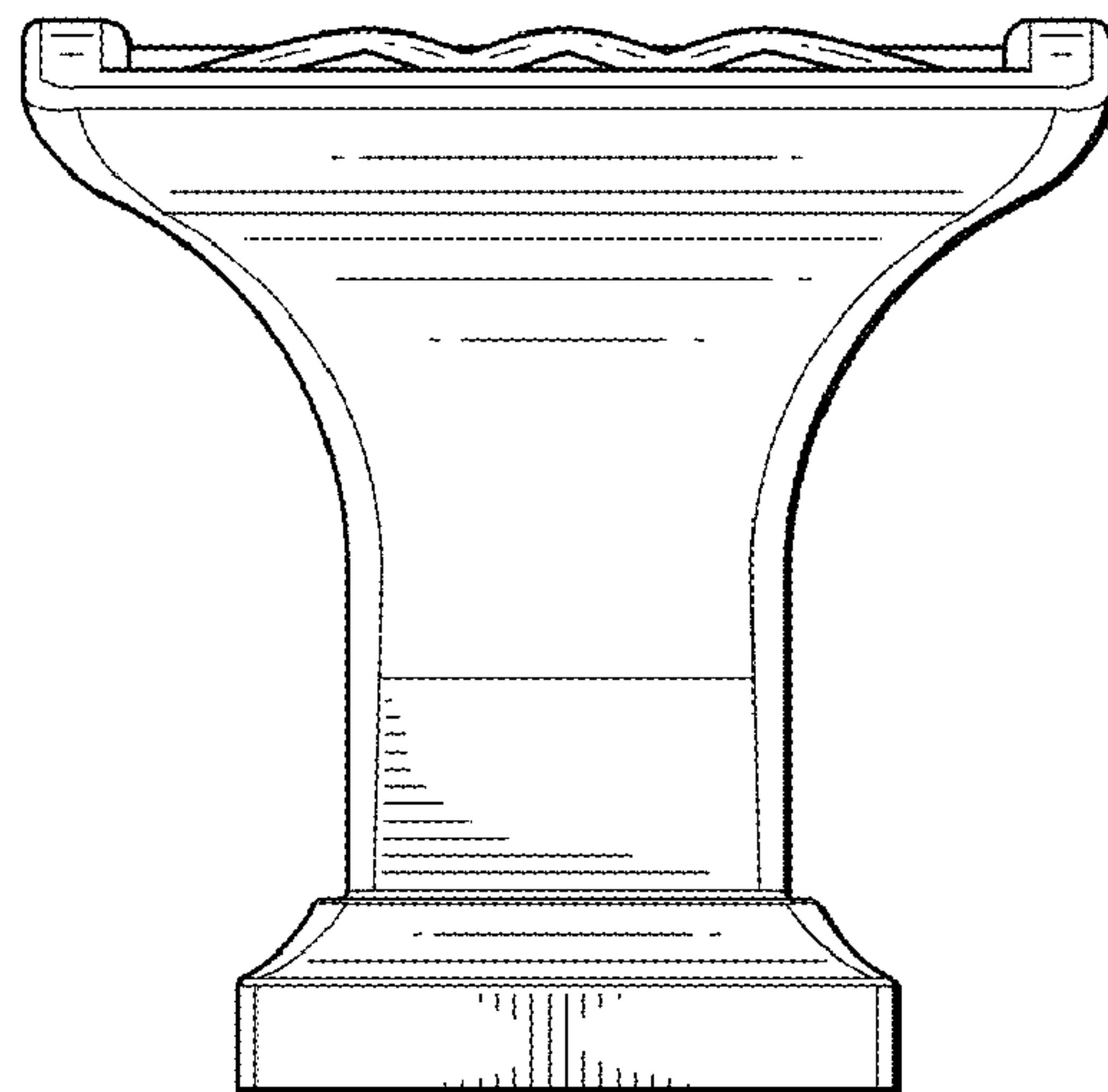
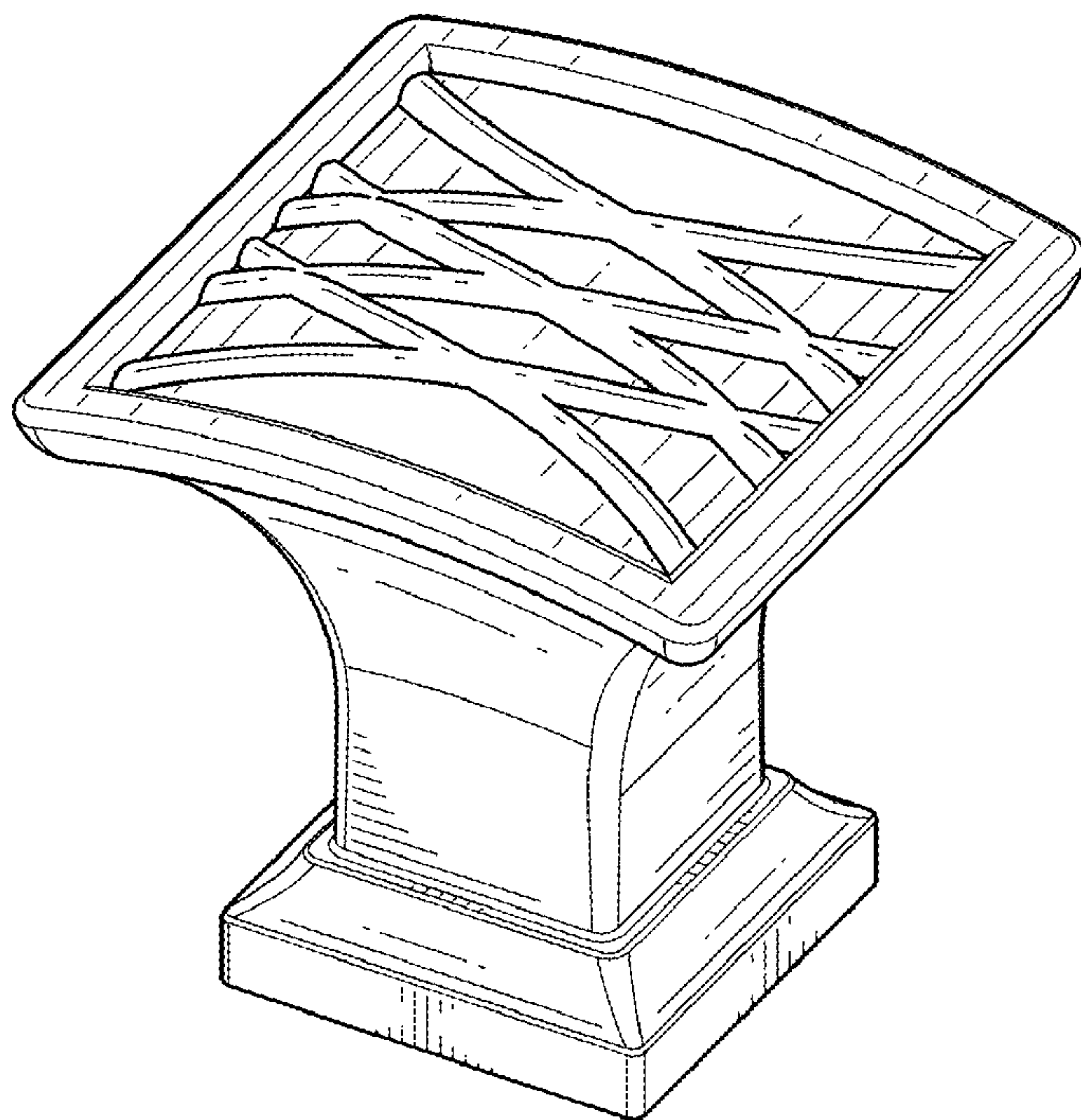
FIG. 3 is a side elevational view thereof, the opposite side is a mirror image;

FIG. 4 is a top plan view thereof; and,

FIG. 5 is a bottom plan view thereof.

The broken lines shown represent unclaimed subject matter and form no part of the claimed design.

**1 Claim, 2 Drawing Sheets**



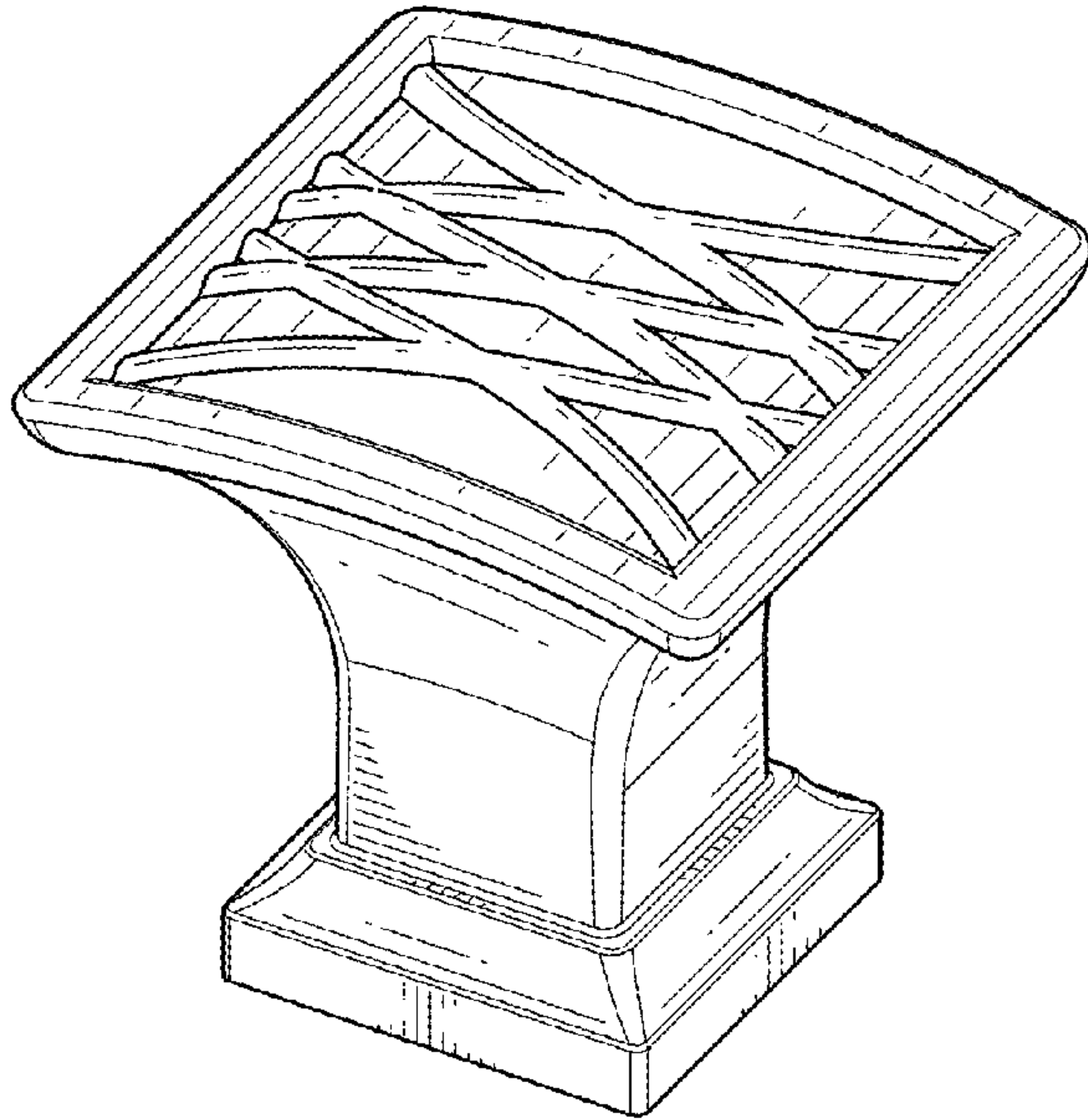


FIG. 1

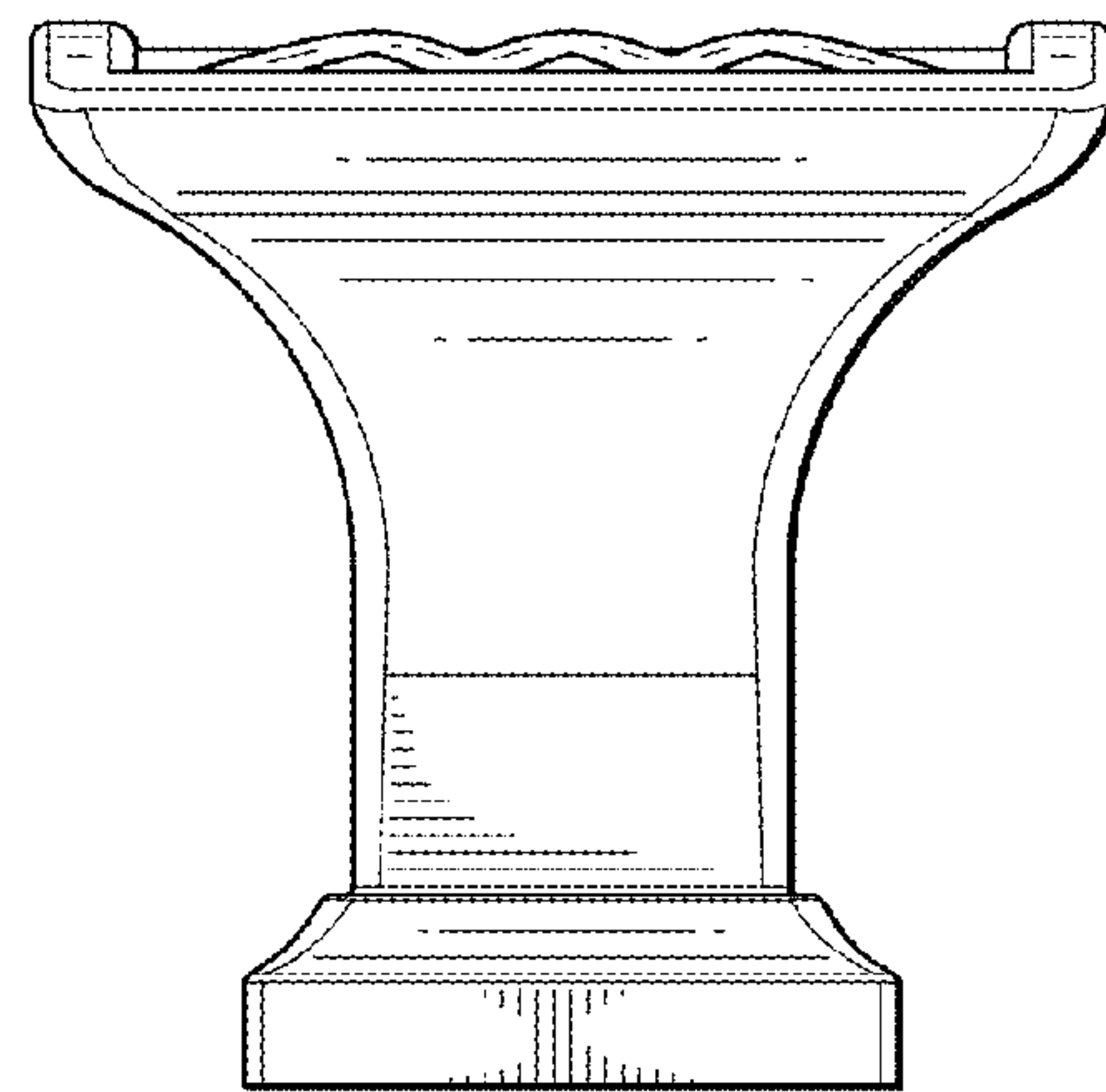


FIG. 2

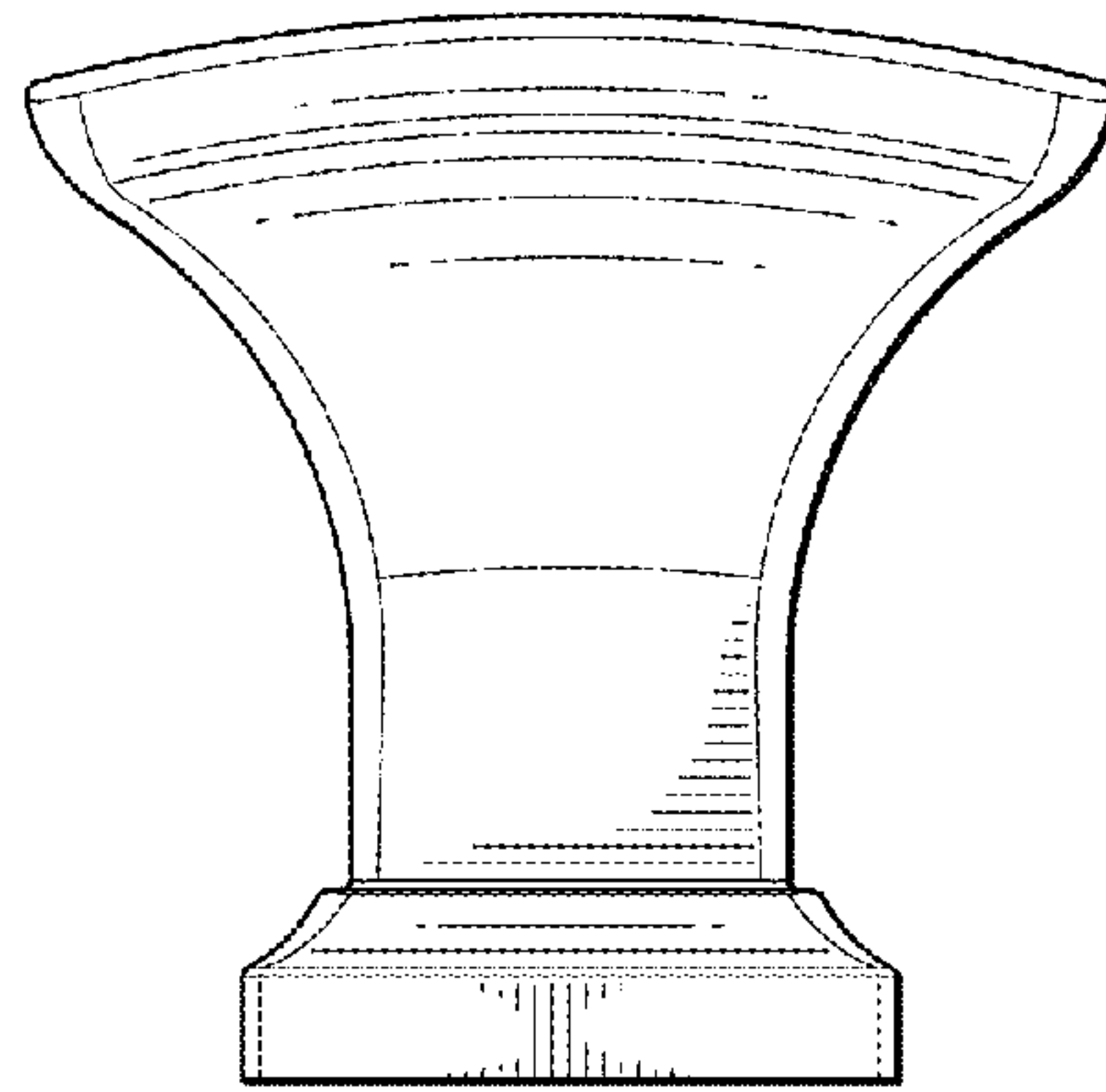


FIG. 3

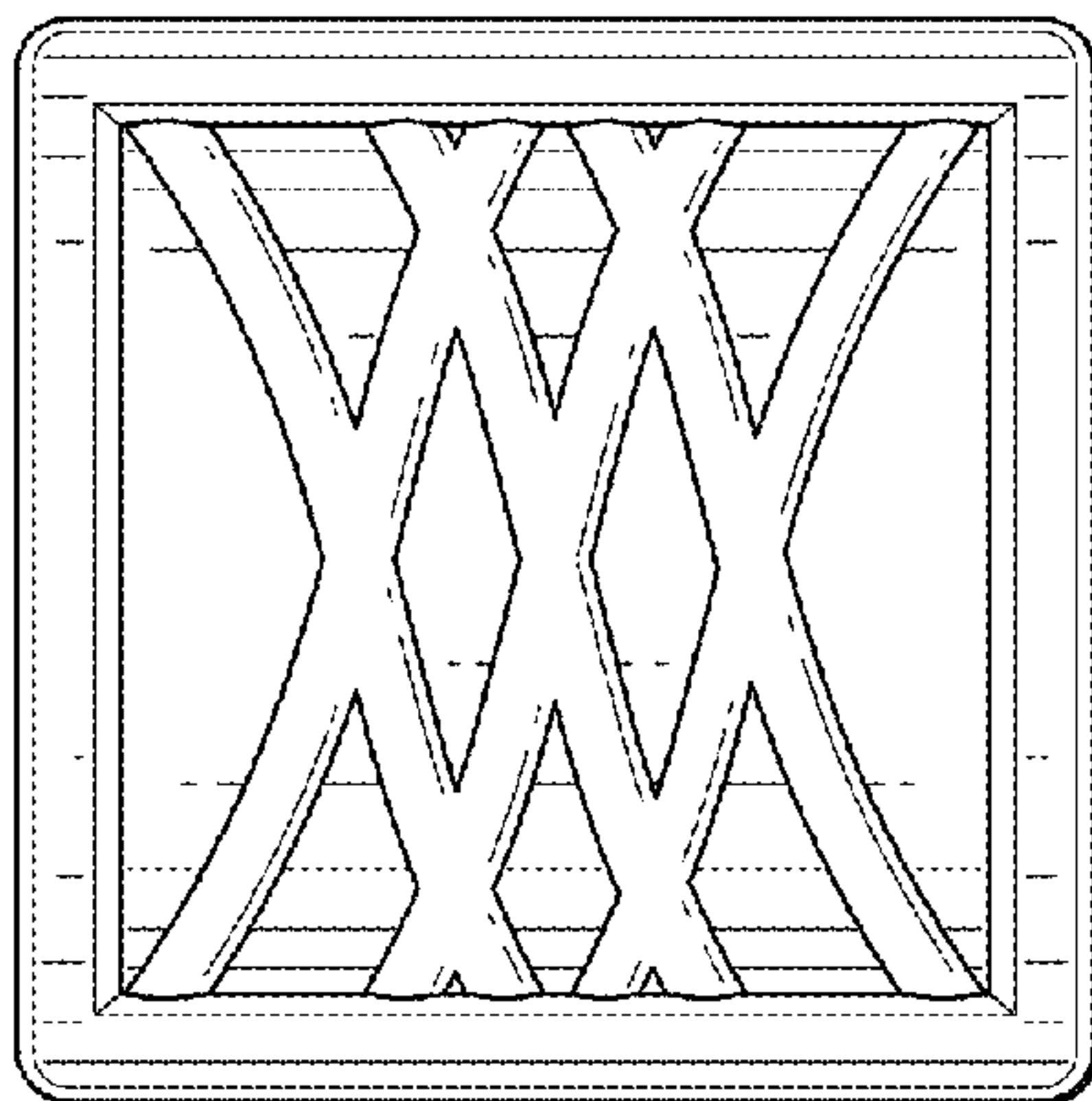


FIG. 4

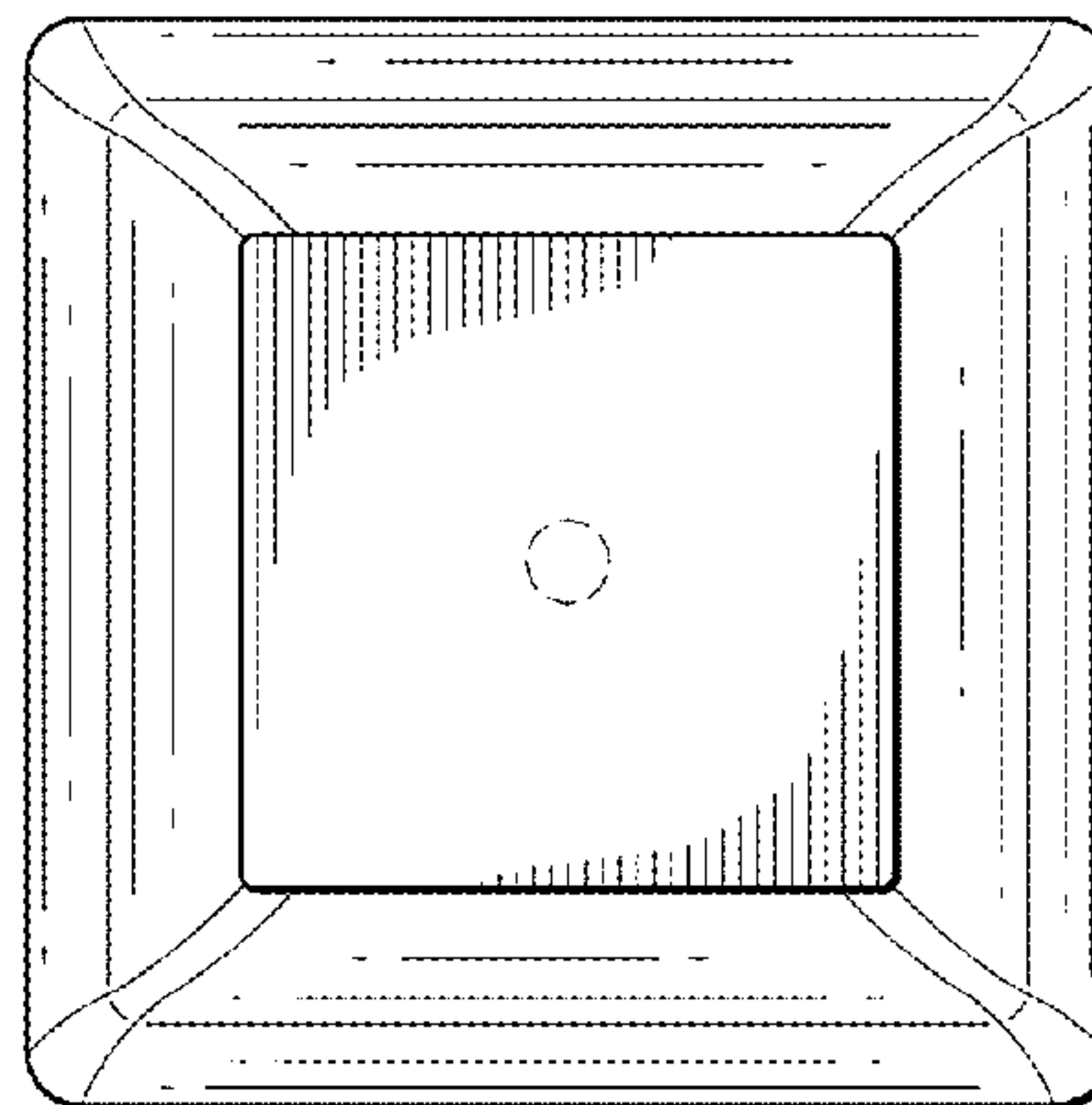


FIG. 5