



US00D707097S

(12) **United States Design Patent**
Kao

(10) **Patent No.:** **US D707,097 S**
(45) **Date of Patent:** **** Jun. 17, 2014**

(54) **EMERGENCY ESCAPE TOOL FOR VEHICLE**

(71) Applicant: **Wen-Chun Kao**, Taipei (TW)

(72) Inventor: **Wen-Chun Kao**, Taipei (TW)

(**) Term: **14 Years**

(21) Appl. No.: **29/468,022**

(22) Filed: **Sep. 25, 2013**

(51) **LOC (10) Cl.** **08-05**

(52) **U.S. Cl.**
USPC **D8/105**; D8/81; D8/98; D29/124

(58) **Field of Classification Search**
USPC D8/14, 16, 18, 19, 20, 26, 33, 34,
D8/38-43, 52, 55, 57, 81-87, 98,
D8/104-106; 7/158-166; 30/151, 359, 366
See application file for complete search history.

(56) **References Cited**

U.S. PATENT DOCUMENTS

5,642,567	A	*	7/1997	Lin	30/366
D385,771	S	*	11/1997	Chiang	D8/105
D413,781	S	*	9/1999	Wong	D8/81
D417,130	S	*	11/1999	Hollinger	D8/81
D420,269	S	*	2/2000	Ben-Moshe	D8/81

D459,190	S	*	6/2002	Chen	D8/105
D498,401	S	*	11/2004	Lin et al.	D8/81
D515,902	S	*	2/2006	Kim	D8/105
D520,840	S	*	5/2006	Bhavnani	D8/81
D577,562	S	*	9/2008	Lin et al.	D8/105
D699,542	S	*	2/2014	Rubin et al.	D8/105

* cited by examiner

Primary Examiner — Susan Bennett Hattan

Assistant Examiner — Janice Hallmark

(74) *Attorney, Agent, or Firm* — Raymond Y. Chan; David and Raymond Patent Firm

(57) **CLAIM**

The ornamental design for a emergency escape tool for vehicle, as shown and described.

DESCRIPTION

FIG. 1 is a perspective view of emergency escape tool for vehicle showing my new design.

FIG. 2 is a front elevational view thereof.

FIG. 3 is a rear elevational view thereof.

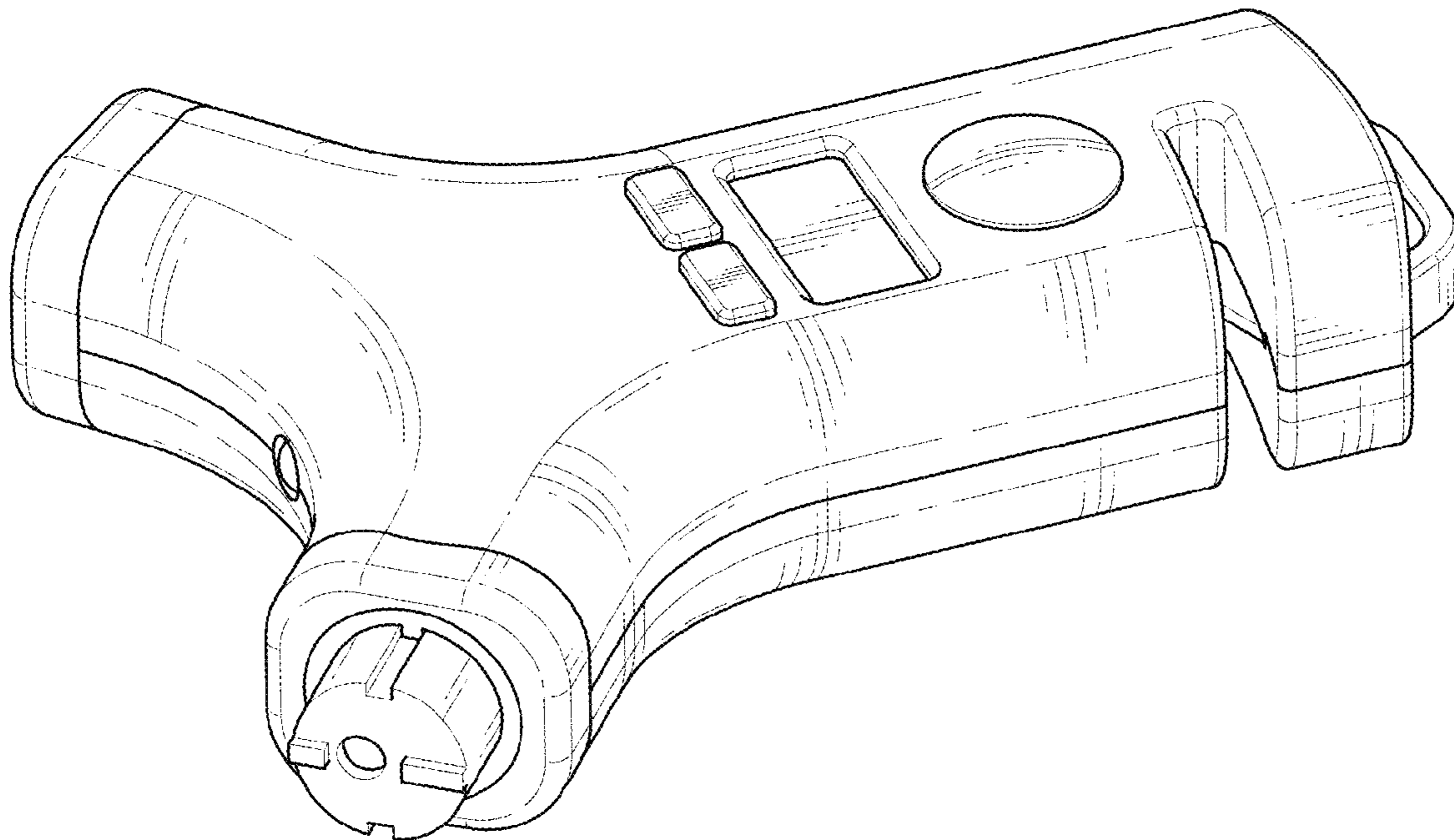
FIG. 4 is a right side elevational view thereof.

FIG. 5 is a left side elevational view thereof.

FIG. 6 is a top plan view thereof; and,

FIG. 7 is a bottom plan view thereof.

1 Claim, 7 Drawing Sheets



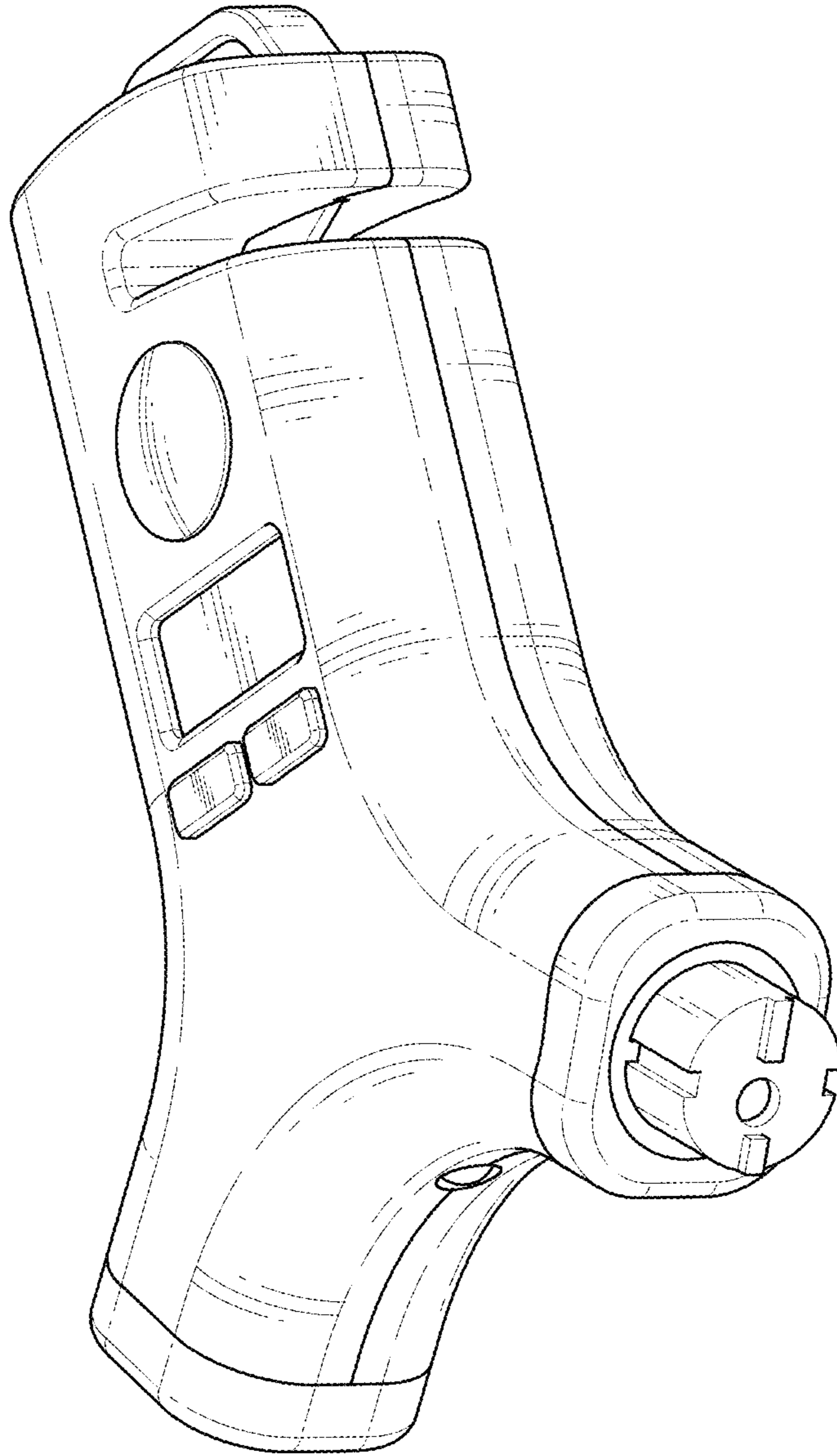


FIG. 1

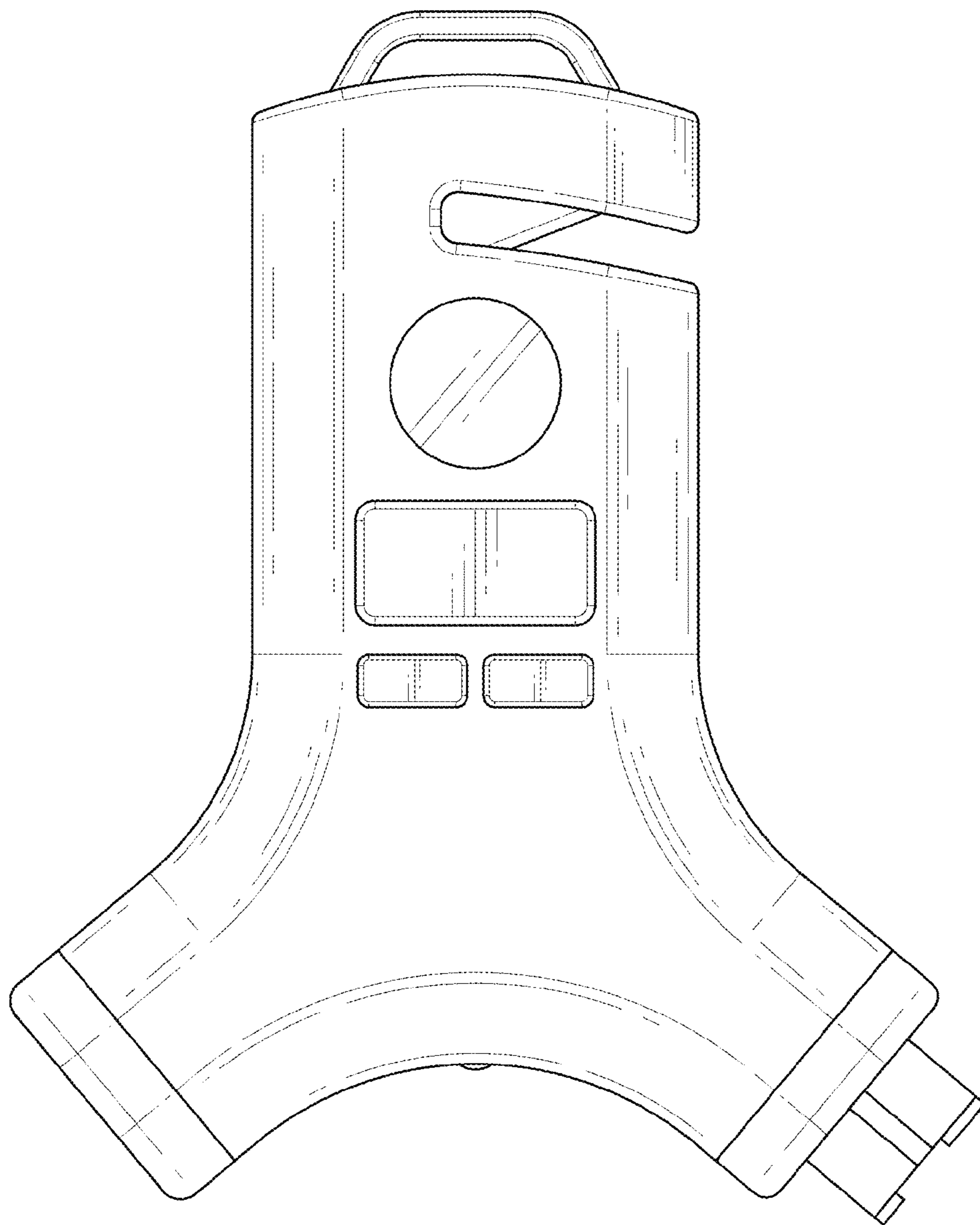
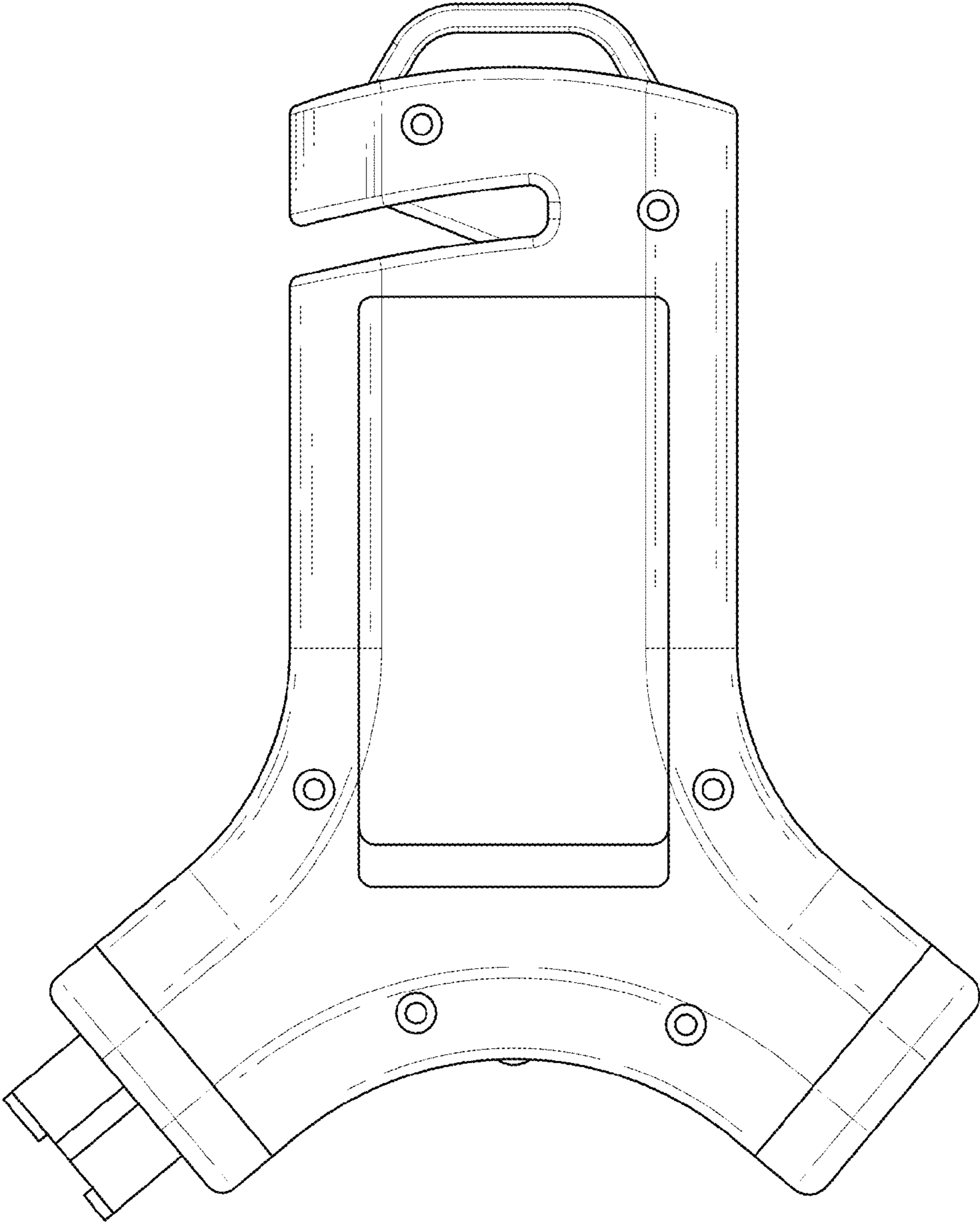


FIG. 2



F I G . 3

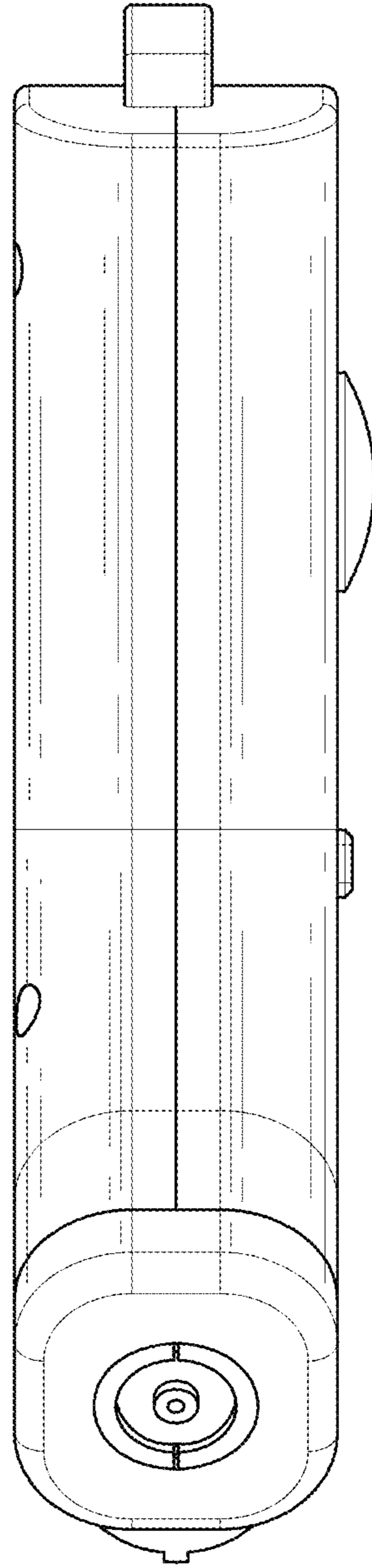
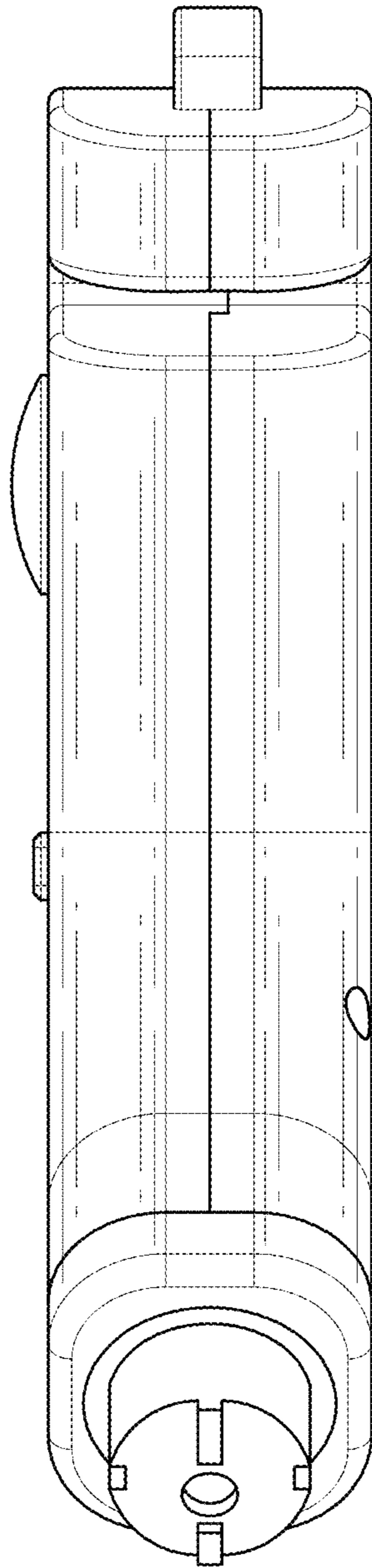
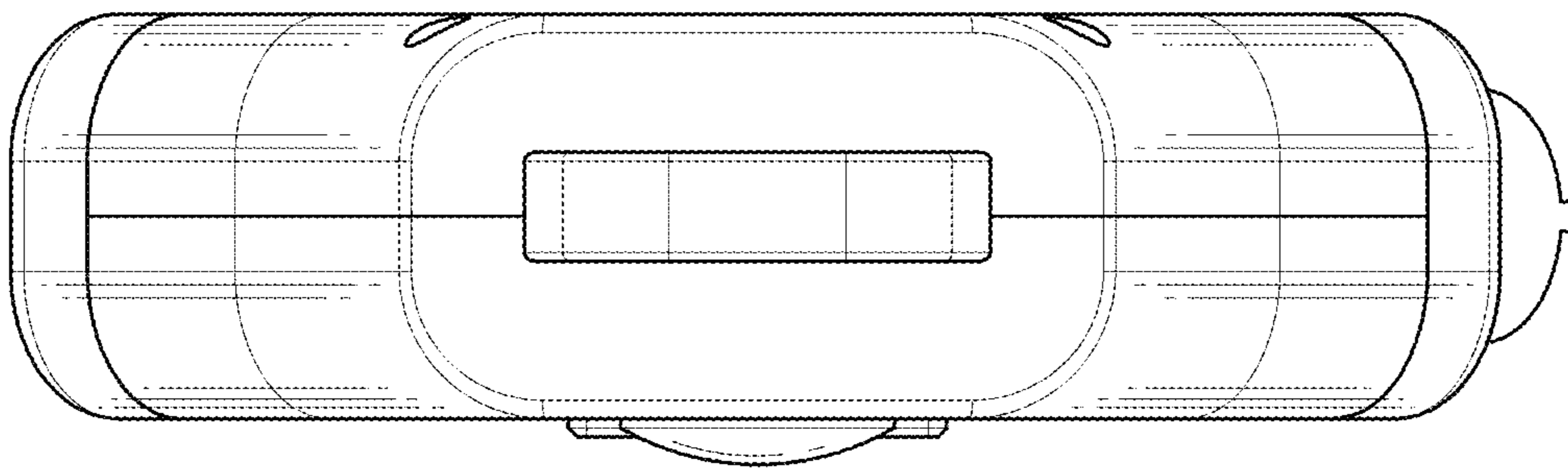


FIG. 4



F I G . 5



F I G . 6

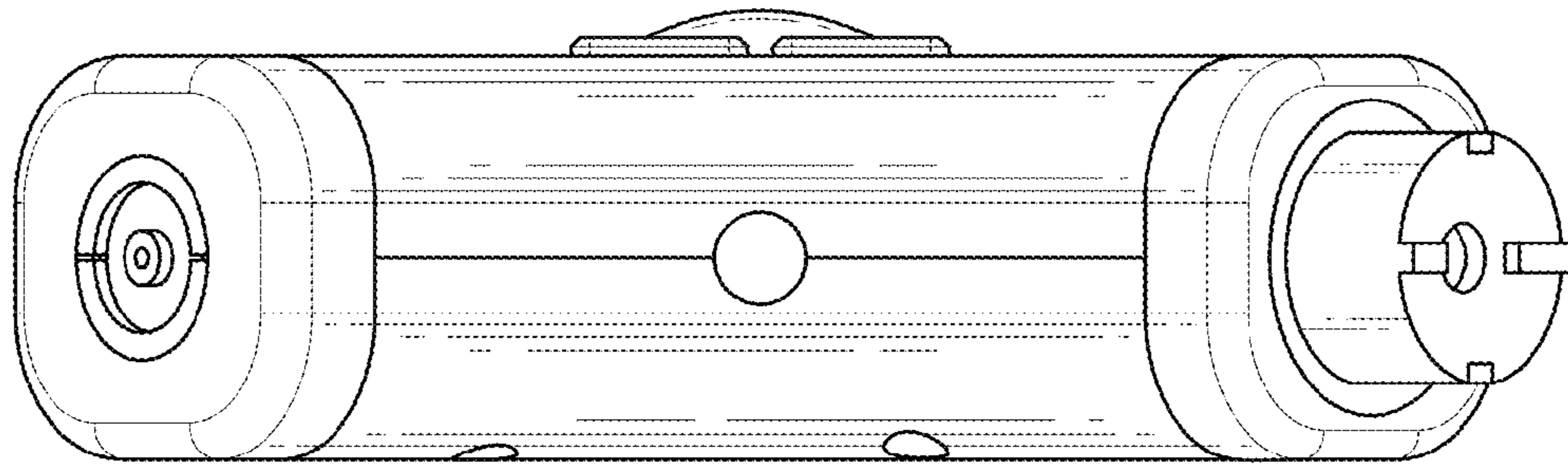


FIG. 7