



US00D707094S

(12) **United States Design Patent**
Carl et al.

(10) **Patent No.:** **US D707,094 S**
(45) **Date of Patent:** **** Jun. 17, 2014**

(54) **CHAINSAW**

(71) Applicant: **Sears Brands, L.L.C.**, Hoffman Estates, IL (US)

(72) Inventors: **Ross Carl**, River Forest, IL (US);
Nicholas Dane Suchoza, Huntersville, NC (US)

(73) Assignee: **Sears Brands, L.L.C.**, Hoffman Estates, IL (US)

(**) Term: **14 Years**

(21) Appl. No.: **29/467,412**

(22) Filed: **Sep. 18, 2013**

(51) **LOC (10) Cl.** **08-03**

(52) **U.S. Cl.**
USPC **D8/65**

(58) **Field of Classification Search**
USPC D8/65, 7, 8, 9, 70, 66, 67, 62, 63, 64,
D8/61, 91; 30/386, 383, 382, 371, 123,
30/381; 125/21; D21/532; 83/832, 833,
83/834; 123/185.3

See application file for complete search history.

(56) **References Cited**

U.S. PATENT DOCUMENTS

D309,087 S * 7/1990 Yamamoto et al. D8/65
D320,728 S * 10/1991 Arvidsson D8/65

D348,192 S * 6/1994 Griffin D8/65
D350,680 S * 9/1994 Berfield et al. D8/65
D365,262 S * 12/1995 Beaulieu et al. D8/65
D445,657 S * 7/2001 Jong D8/65
D607,293 S * 1/2010 Tinius D8/65
D658,959 S * 5/2012 Landberg D8/65
D658,960 S * 5/2012 Landberg D8/65
D663,182 S * 7/2012 Schoening et al. D8/65
D663,599 S * 7/2012 Tinius D8/65

* cited by examiner

Primary Examiner — Austin Murphy

(74) *Attorney, Agent, or Firm* — McAndrews Held & Malloy, Ltd.

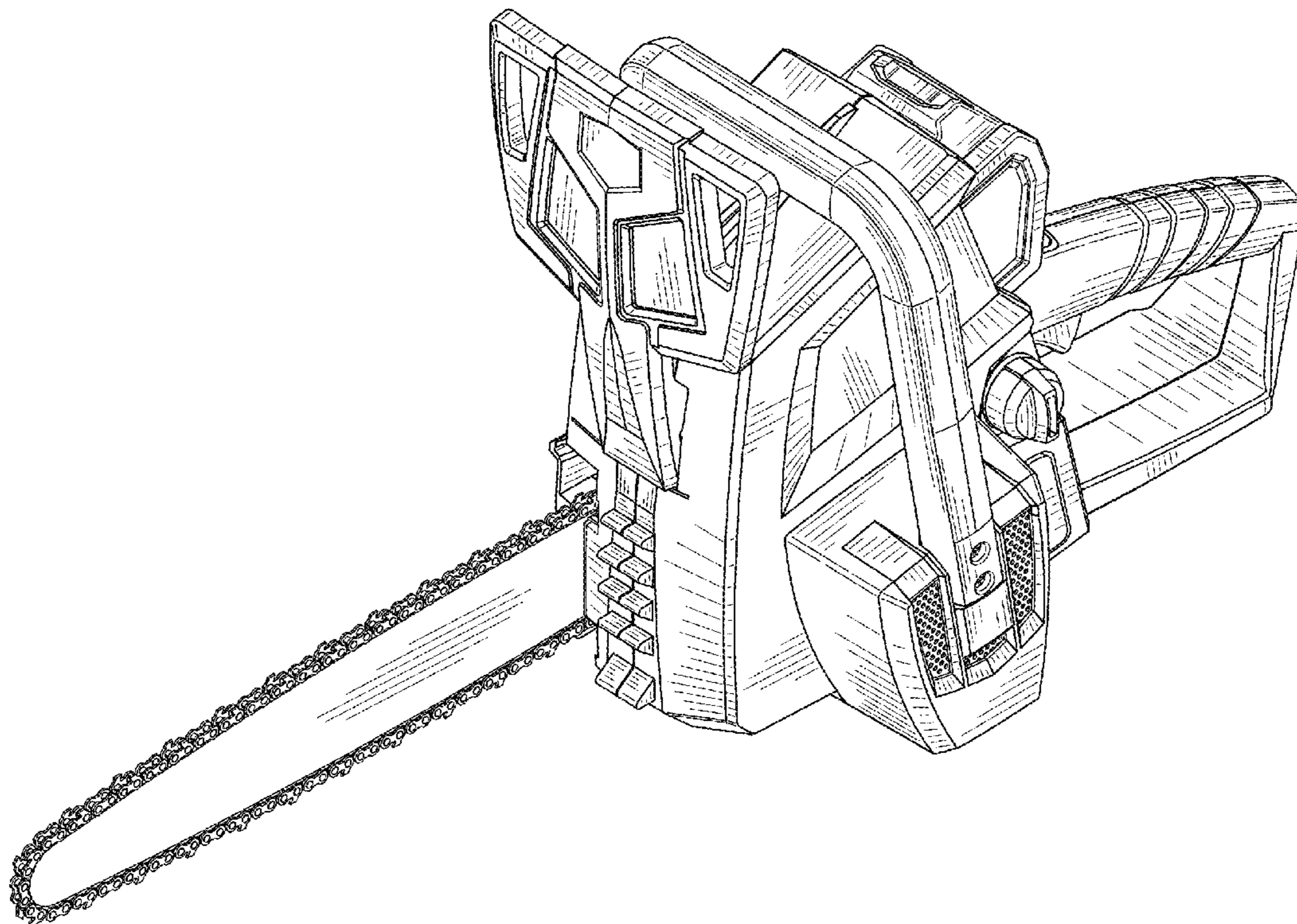
(57) **CLAIM**

The ornamental design for a chainsaw, as shown and described.

DESCRIPTION

FIG. 1 is a front right perspective view of a chainsaw showing our new design;
FIG. 2 is a front elevation view thereof;
FIG. 3 is a rear elevation view thereof;
FIG. 4 is a left-side elevation view thereof;
FIG. 5 is a right-side elevation view thereof;
FIG. 6 is a top plan view thereof;
FIG. 7 is a bottom plan view thereof; and
FIG. 8 is a bottom left perspective view thereof.

1 Claim, 6 Drawing Sheets



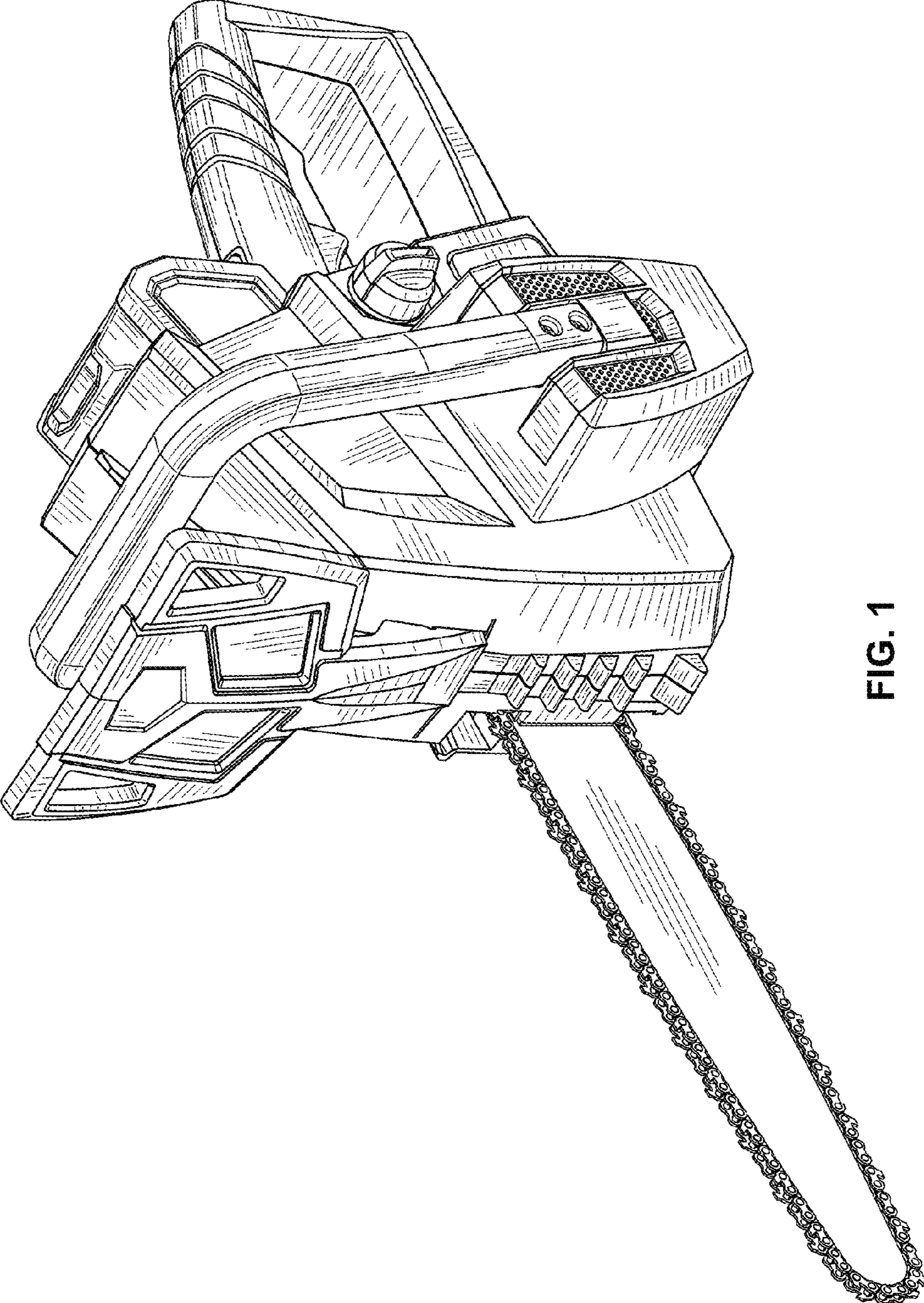


FIG. 1

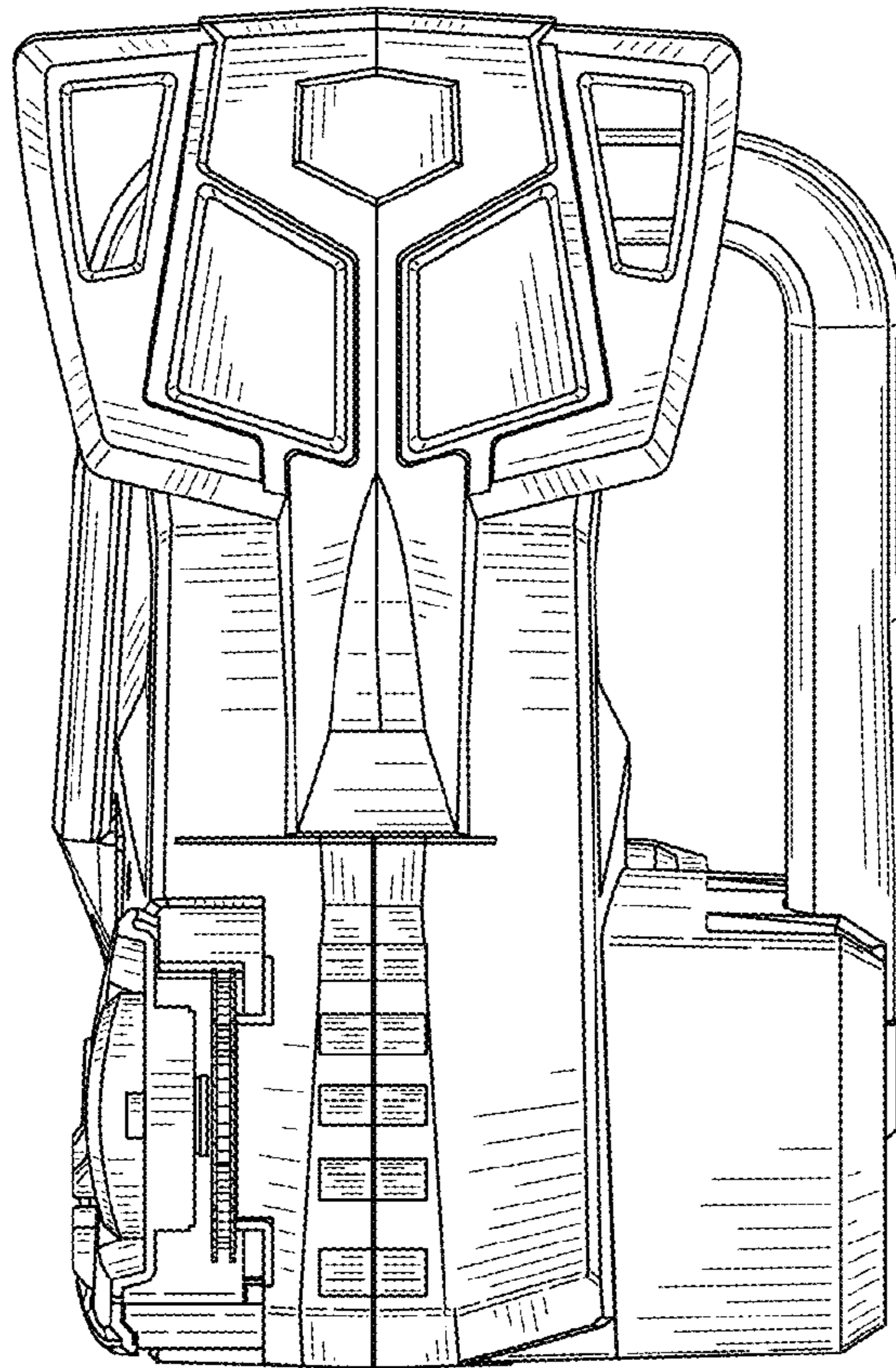


FIG. 2

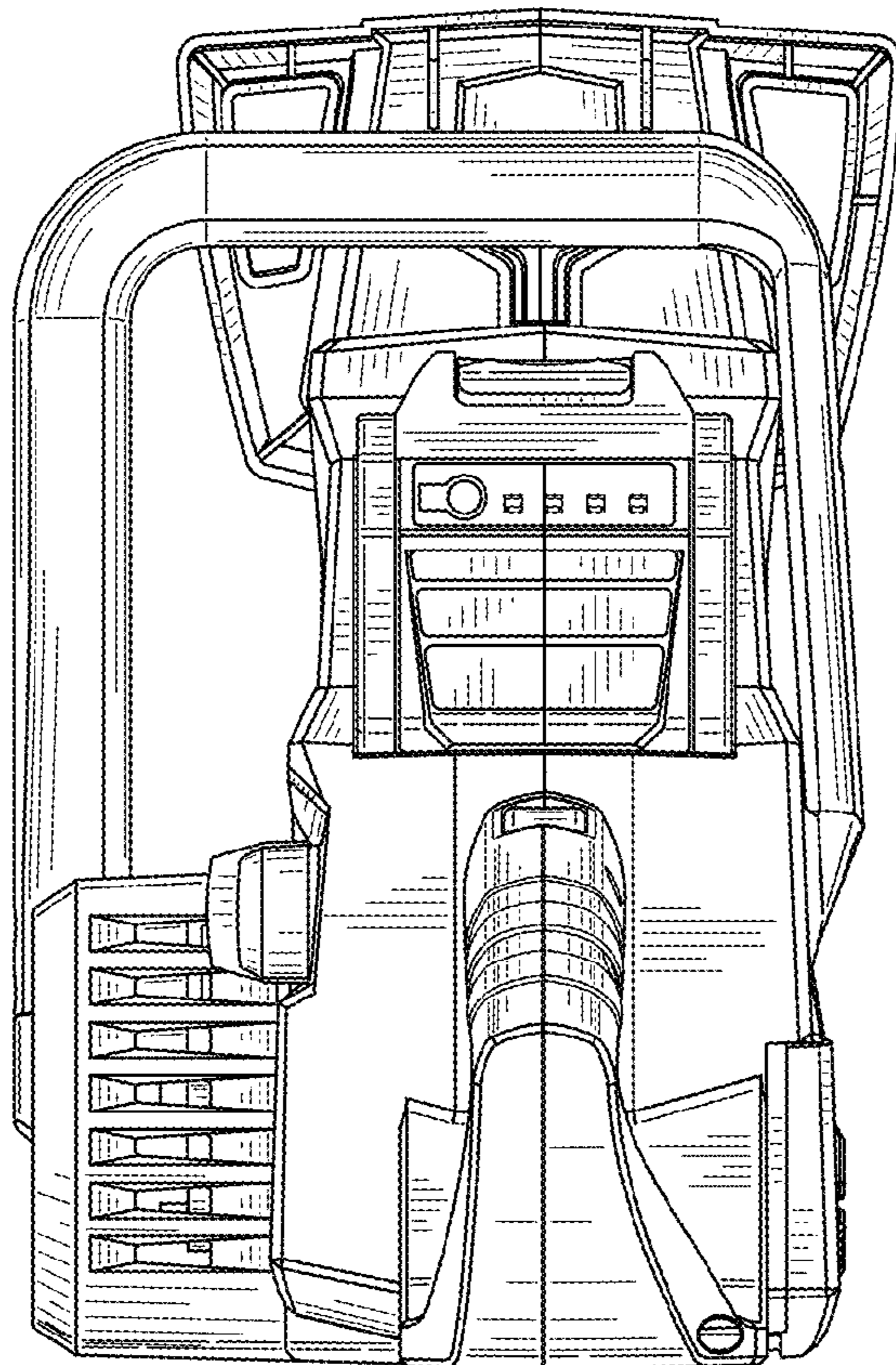


FIG. 3

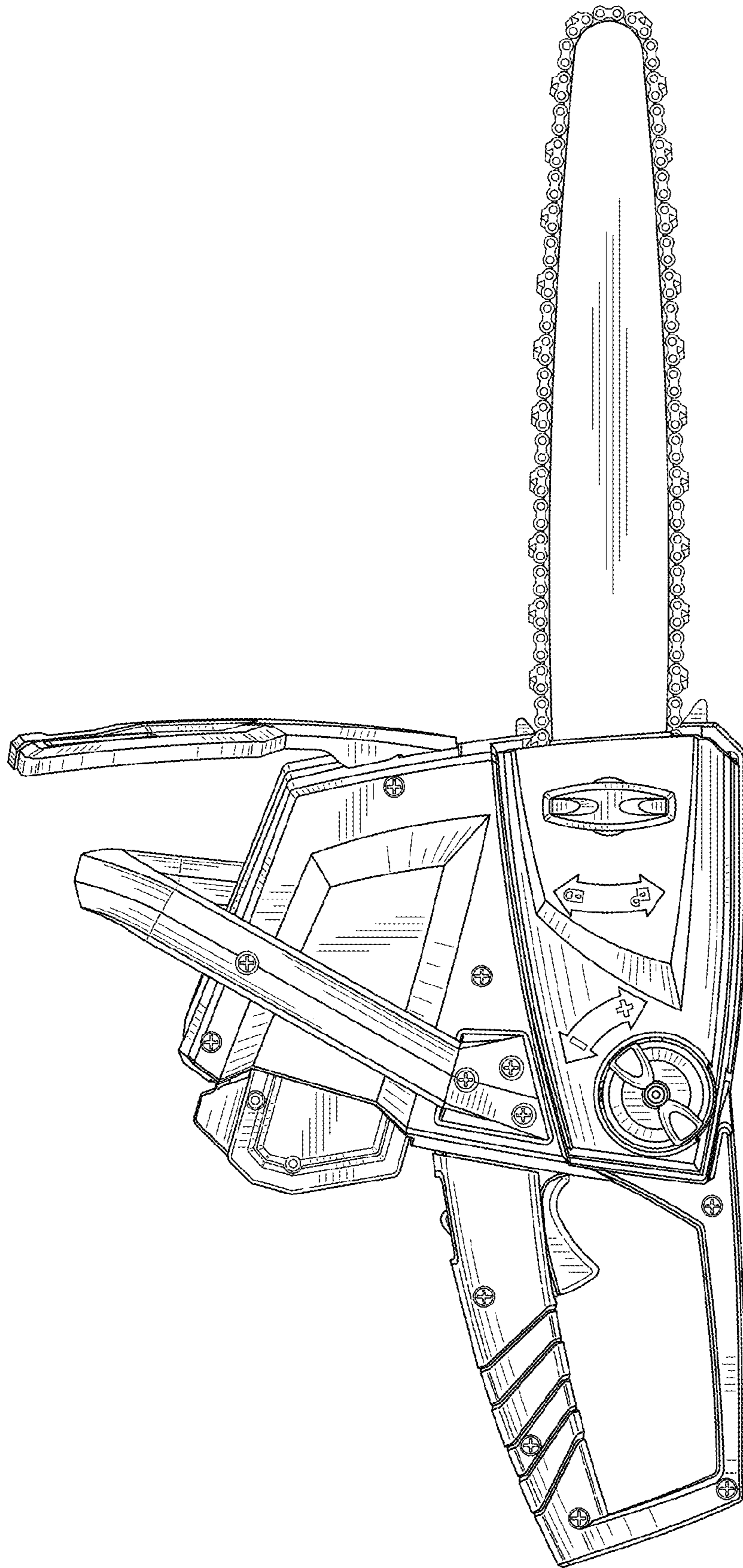


FIG. 4

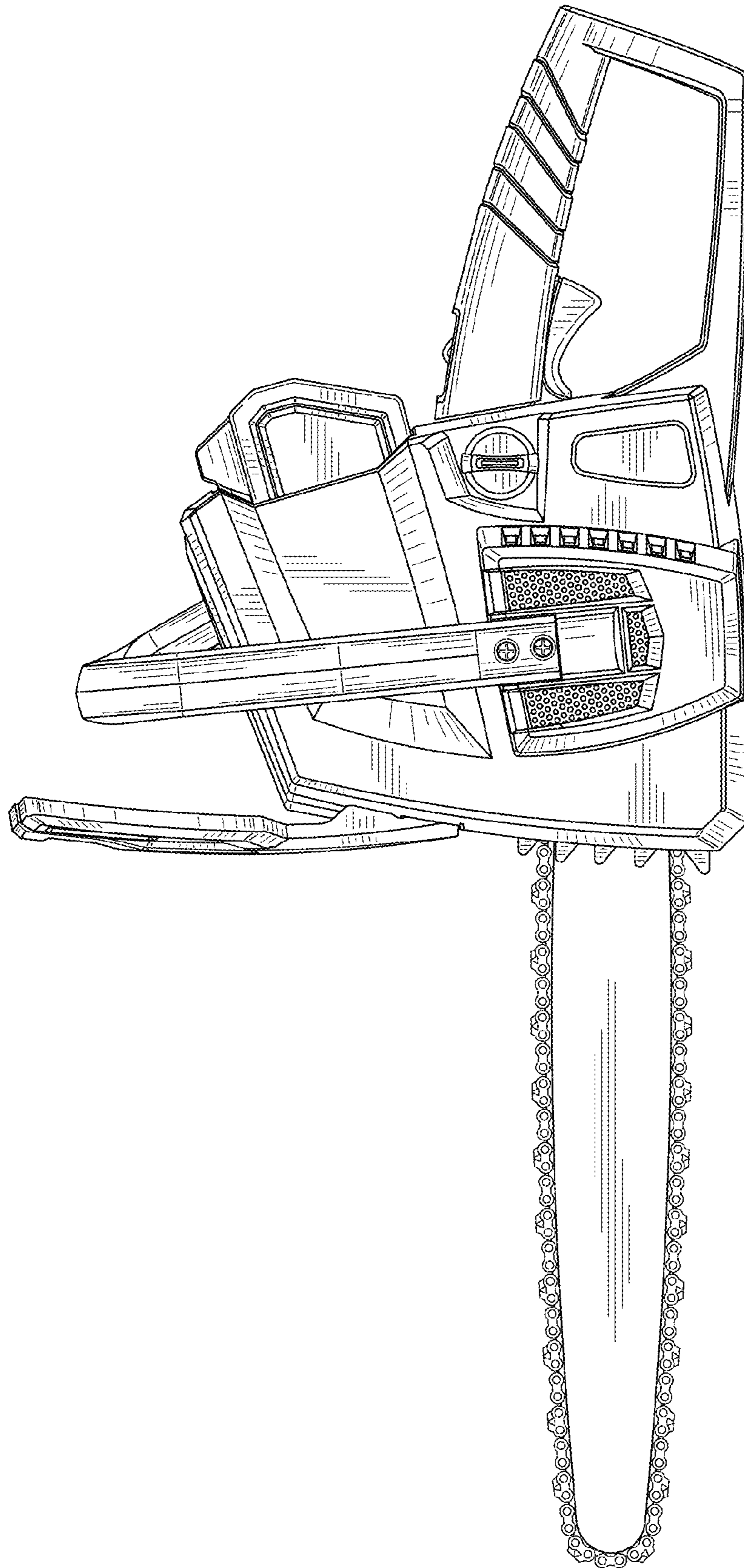


FIG. 5

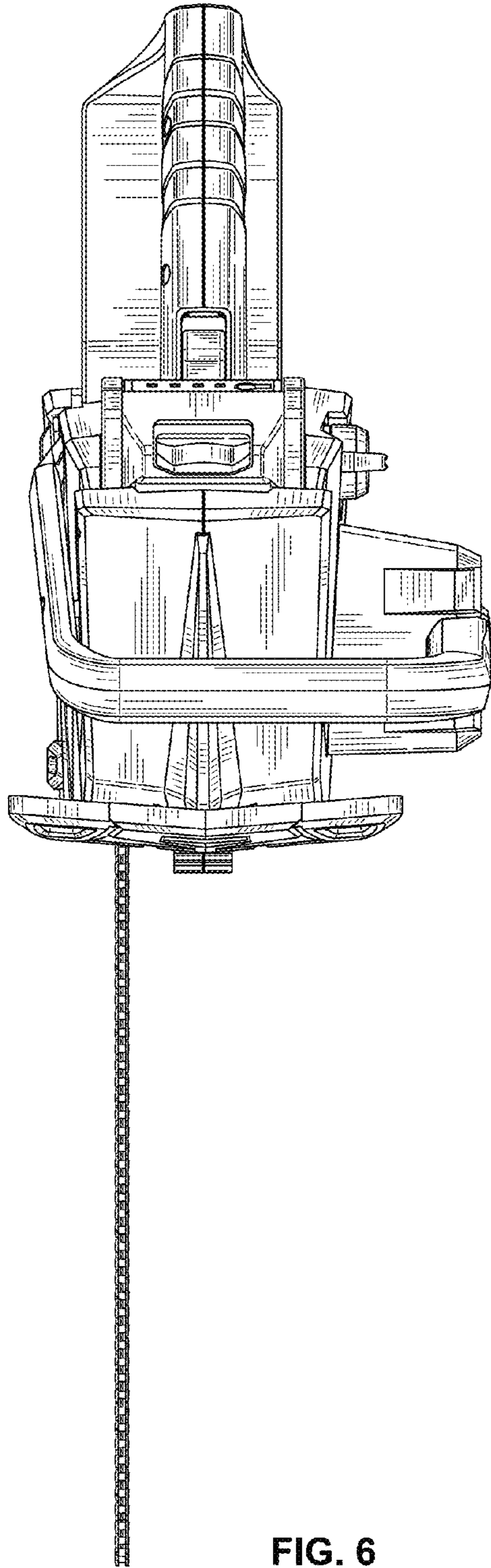


FIG. 6

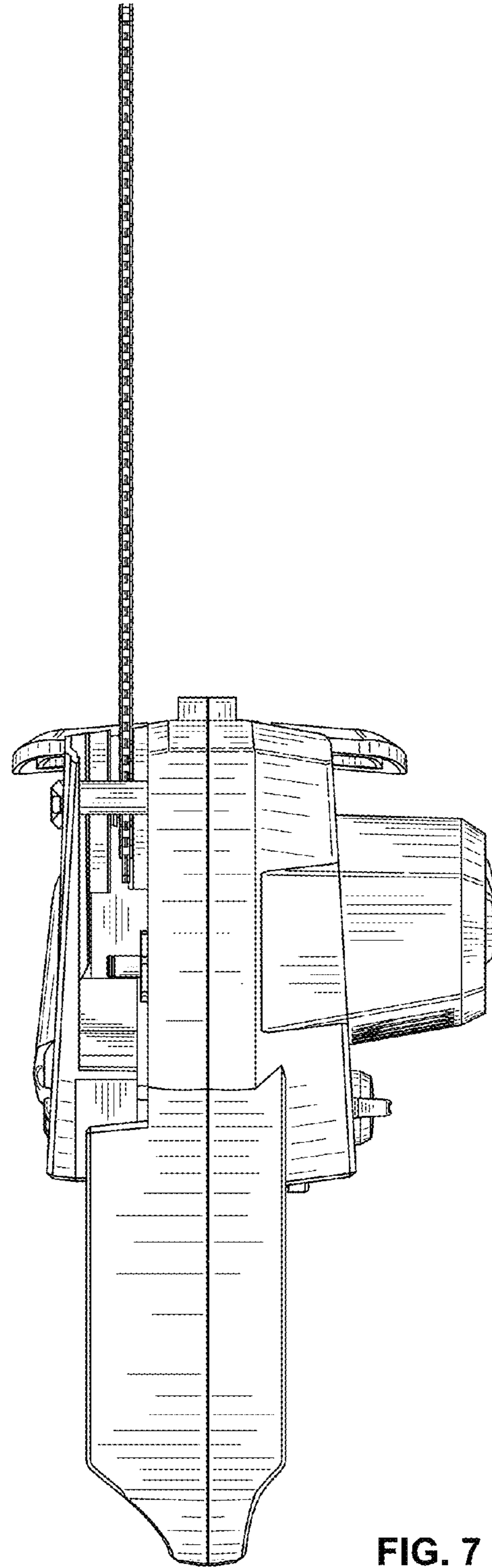


FIG. 7

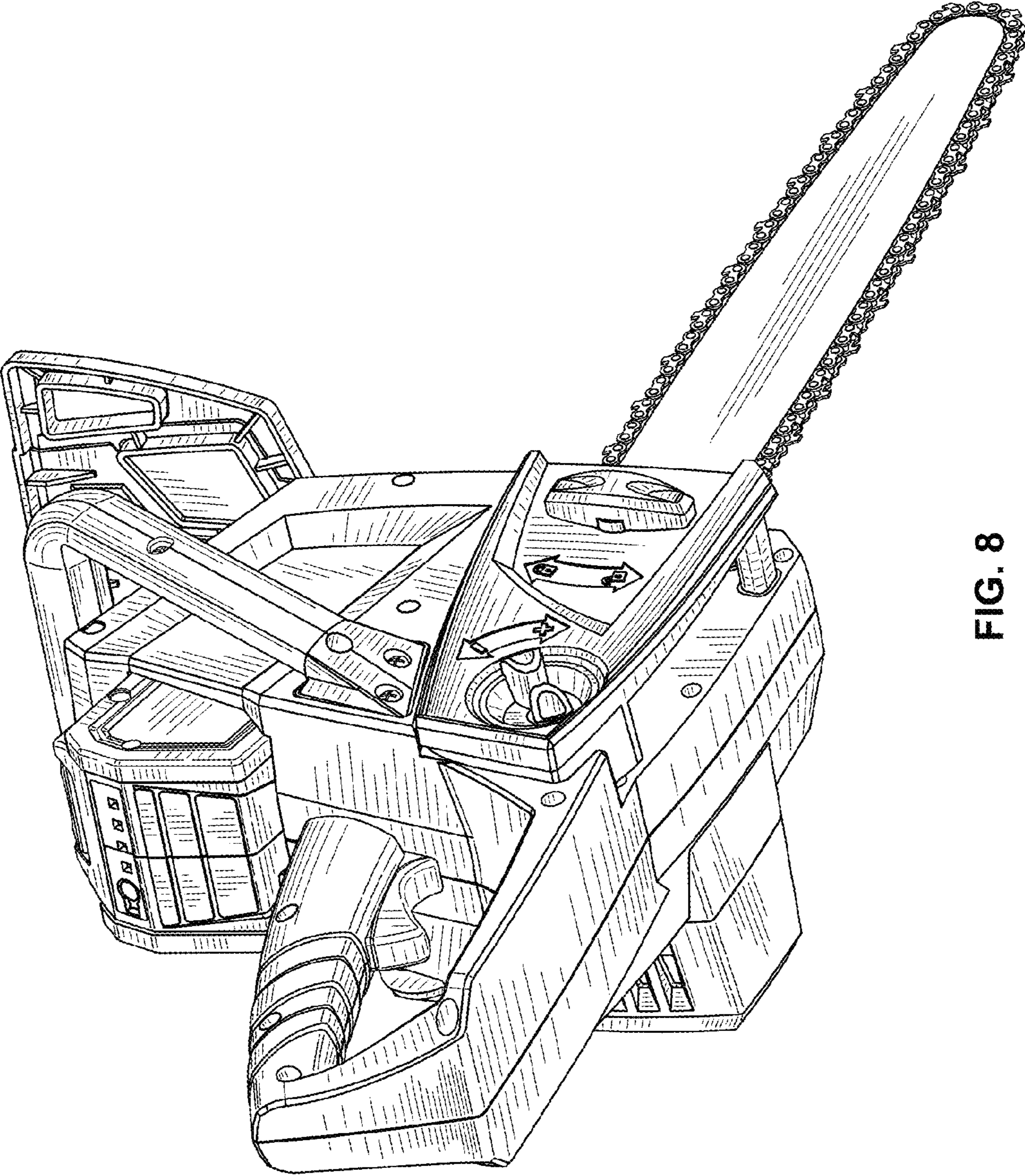


FIG. 8