



US00D707085S

(12) **United States Design Patent**  
**Carmichael**

(10) **Patent No.:** **US D707,085 S**  
(45) **Date of Patent:** **\*\* Jun. 17, 2014**

(54) **MULTI-COMPARTMENT FOOD CONTAINER**

(71) Applicant: **Societe des Produits Nestle S.A., Vevey**  
(CH)

(72) Inventor: **Gary Carmichael, Northbrook, IL (US)**

(73) Assignee: **Societe des Produits Nestle S. A., Vevey**  
(CH)

(\*\*) Term: **14 Years**

(21) Appl. No.: **29/467,854**

(22) Filed: **Sep. 24, 2013**

(51) **LOC (10) Cl.** ..... **07-01**

(52) **U.S. Cl.**  
USPC ..... **D7/602; D7/554.2**

(58) **Field of Classification Search**  
CPC ..... **A47G 23/06**  
USPC ..... **D7/602, 629, 630, 550.1-557,**  
**D7/538-542; D9/424-432; 220/212,**  
**220/574-575, 592.01, 23.83, 912;**  
**206/557-567**

See application file for complete search history.

(56) **References Cited**

**U.S. PATENT DOCUMENTS**

1,595,356 A	11/1924	Moseman
D67,011 S	12/1924	Clarke
2,096,825 A	7/1929	Roman
2,352,684 A	1/1941	Braddock
2,340,676 A	12/1941	Mallard
D163,110 S	2/1951	Forman
2,561,022 A	7/1951	Jones
2,700,284 A	1/1955	Lyon
2,828,789 A	8/1955	Groendyk
3,128,029 A	4/1964	Price et al.
D221,883 S	9/1971	Cash
3,606,262 A	9/1971	van't Hoff

D225,364 S	12/1972	Antoni
3,896,587 A	7/1975	Insalaco
3,967,731 A	7/1976	Boduch
D243,030 S	1/1977	Gross
D243,357 S	2/1977	Gross
D243,358 S	2/1977	Gross
RE29,320 E	7/1977	Kalata et al.
4,173,097 A	11/1979	Staby
4,231,476 A	11/1980	Compton et al.
D258,338 S	2/1981	Gersin
D260,343 S	8/1981	Blake et al.
D263,203 S	3/1982	Haag, Sr.
D265,462 S	7/1982	Andrulionis et al.
D266,398 S	10/1982	Haag, Sr.
D279,168 S	6/1985	Goldsmith
D280,075 S	8/1985	Haag, Sr.

(Continued)

**FOREIGN PATENT DOCUMENTS**

DM	049057	6/1999
DM	067370	7/2005
DM	079247	8/2012

*Primary Examiner* — Terry Wallace

(74) *Attorney, Agent, or Firm* — Holland & Hart LLP

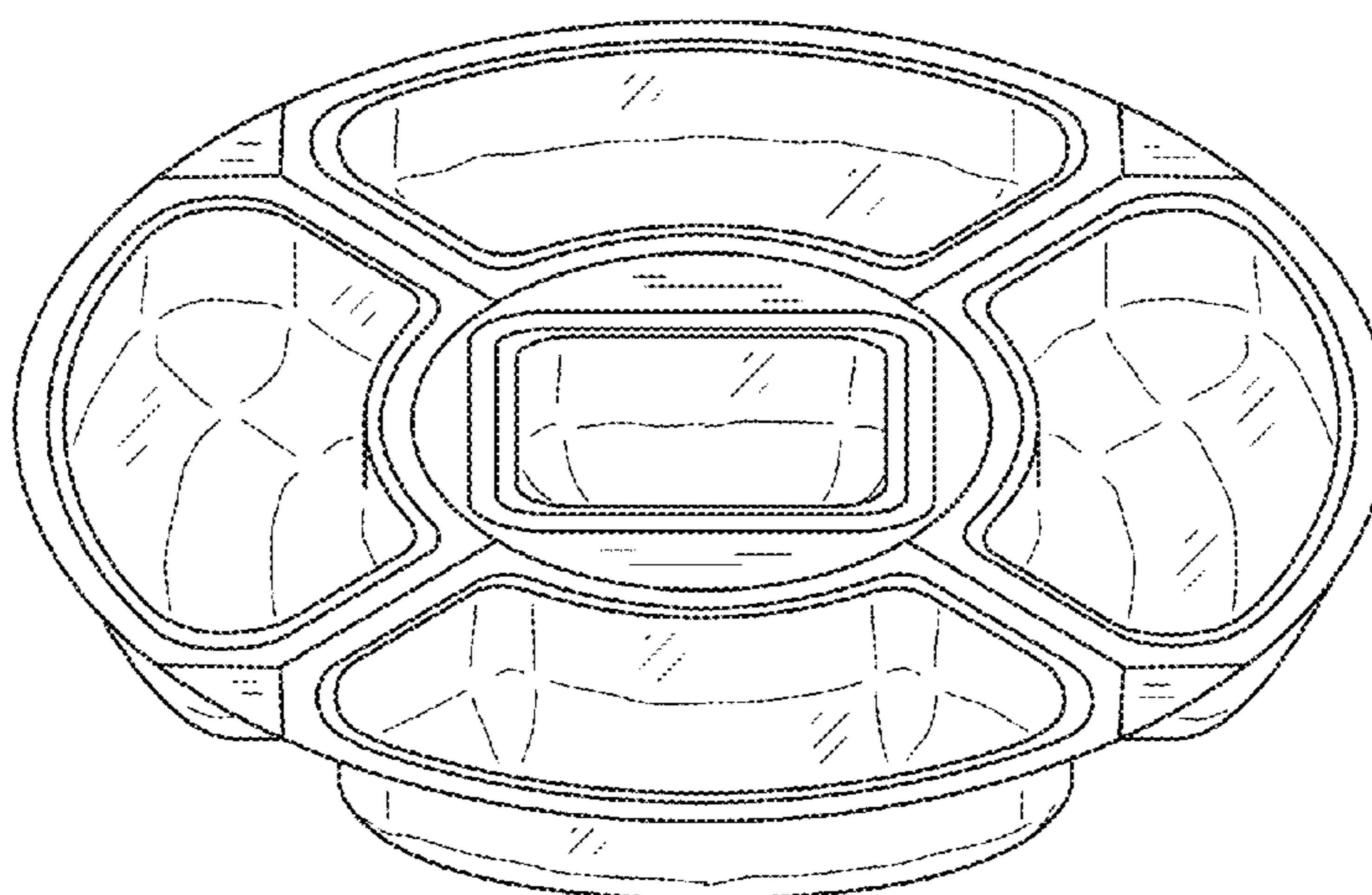
(57) **CLAIM**

The ornamental design for a multi-compartment food container, as shown and described.

**DESCRIPTION**

FIG. 1 is a top perspective view of the multi-compartment food container, showing my new design; FIGS. 2 and 3 are front and rear elevation views, respectively, of the design illustrated in FIG. 1; FIGS. 4 and 5 are right and left elevation views, respectively, of the design illustrated in FIG. 1; FIG. 6 is a top view of the design illustrated in FIG. 1; and, FIG. 7 is a bottom view of the design illustrated in FIG. 1.

**1 Claim, 5 Drawing Sheets**



(56)

References Cited

U.S. PATENT DOCUMENTS

D285,638 S *	9/1986	Trivison	D7/557	D526,838 S	8/2006	Park et al.	
4,718,555 A	1/1988	Amberg		D532,293 S	11/2006	Martin	
4,832,202 A	5/1989	Newman et al.		D532,689 S	11/2006	Rotta	
D304,658 S *	11/1989	Mattei	D7/505	D541,147 S	4/2007	LaMasney	
D312,026 S	11/1990	Antoni et al.		D546,140 S	7/2007	Anzalone	
4,989,419 A *	2/1991	Brando et al.	62/457.2	D546,626 S	7/2007	Chou	
D326,743 S *	6/1992	Haynes	D30/130	D553,441 S	10/2007	Mirpuri	
D330,514 S	10/1992	Edwards		D568,156 S	5/2008	Wilson et al.	
D336,216 S	6/1993	Rohrbeck		D571,163 S	6/2008	Gillan	
D351,790 S	10/1994	Haindl		D572,168 S	7/2008	Kurtz	
D352,204 S	11/1994	Hayes et al.		D573,414 S	7/2008	Bellon	
D364,112 S	11/1995	Dickinson et al.		D591,590 S	5/2009	Wilson et al.	
D368,409 S	4/1996	Schwartz		D606,363 S	12/2009	Aardenburg	
5,593,062 A *	1/1997	Martin	220/574.1	D606,404 S	12/2009	Diss	
D390,460 S	2/1998	Schmidt		D606,405 S	12/2009	Takata et al.	
D395,822 S	7/1998	Keal et al.		D606,406 S	12/2009	Takata et al.	
D397,586 S	9/1998	Bowers		D607,275 S *	1/2010	Griffith	D7/505
D399,452 S	10/1998	Durbin		D607,329 S	1/2010	Diss	
5,840,189 A	11/1998	Sylvan et al.		D607,727 S	1/2010	Takata et al.	
D409,945 S	5/1999	Hensen		D609,058 S *	2/2010	Roth et al.	D7/602
D409,946 S	5/1999	Hensen		7,735,651 B2	6/2010	Shew et al.	
D420,854 S	2/2000	Michaeli		D624,416 S	9/2010	Mussumeci et al.	
D422,840 S	4/2000	Hedlund		D642,454 S	8/2011	Santoiemmo	
D426,110 S	6/2000	Schmidt		D645,340 S	9/2011	Menard et al.	
D426,160 S	6/2000	Lindsay et al.		D647,397 S	10/2011	Inaba	
D426,427 S	6/2000	Rubbright et al.		D649,054 S	11/2011	Sharma et al.	
D429,150 S	8/2000	Lindsay et al.		D649,447 S	11/2011	Cimmerer et al.	
D449,966 S *	11/2001	DeMars	D7/555	8,056,751 B2	11/2011	Vovan	
D452,434 S	12/2001	Sweeney		D652,266 S	1/2012	Smyers	
D453,094 S	1/2002	Maggard et al.		D652,291 S	1/2012	Riales	
D454,304 S	3/2002	Kim et al.		D656,009 S	3/2012	Ortiz et al.	
6,446,828 B1	9/2002	Casteel		8,127,961 B2	3/2012	Vovan	
D473,788 S	4/2003	Chen et al.		D665,675 S *	8/2012	Wu	D9/761
D474,110 S	5/2003	Sweeney		8,322,530 B2	12/2012	Furlong	
D474,111 S	5/2003	Lazaris		D677,578 S	3/2013	Sina	
6,645,537 B2	11/2003	Sweeney et al.		D681,448 S	5/2013	O'Malley	
6,648,163 B2	11/2003	Porter, III et al.		D686,916 S	7/2013	O'Brien	
D486,991 S *	2/2004	Lee	D7/357	D687,297 S	8/2013	O'Brien et al.	
D511,458 S	11/2005	Dunwoody et al.		D689,730 S	9/2013	Goto et al.	
6,988,654 B2	1/2006	Wnek		D692,760 S	11/2013	Rapparini	
D519,831 S	5/2006	de Cleir et al.		2007/0148290 A1	6/2007	Ternite et al.	
				2012/0241338 A1	9/2012	Henry	

\* cited by examiner

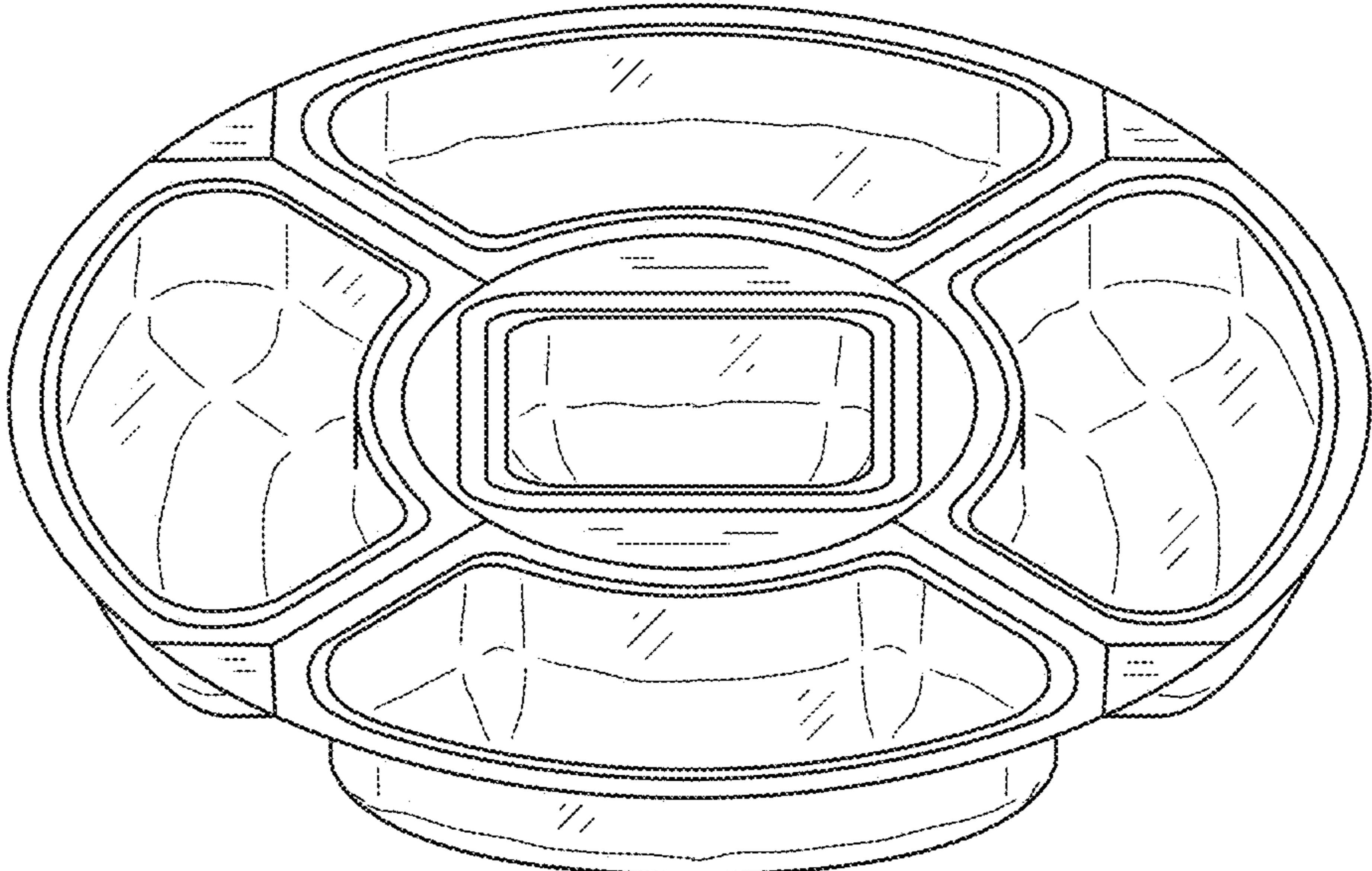


FIG.1



FIG.2

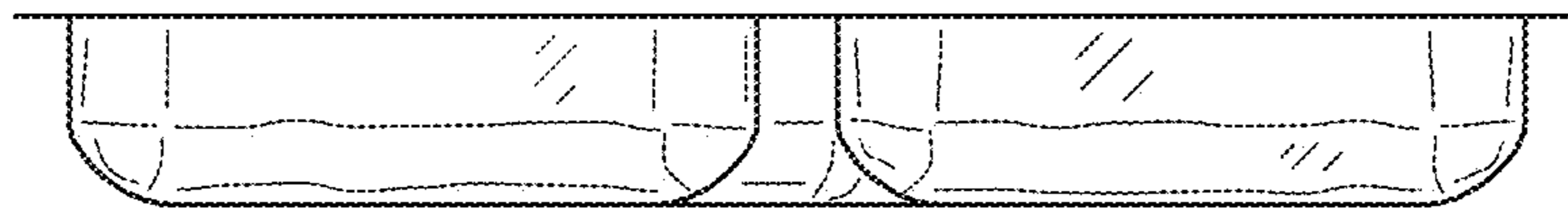


FIG.3



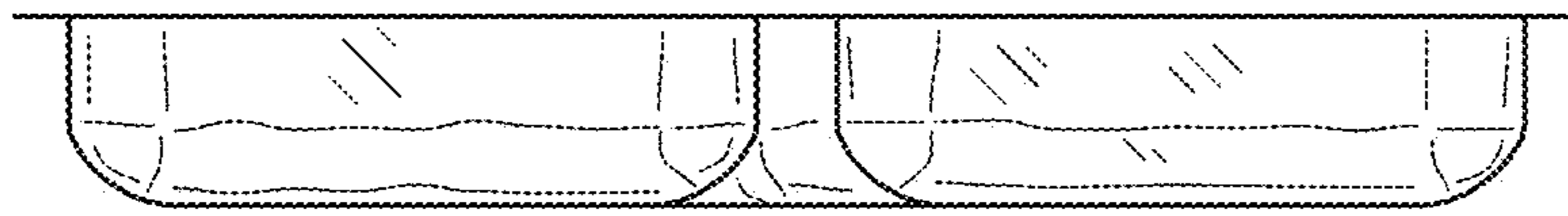


FIG. 4

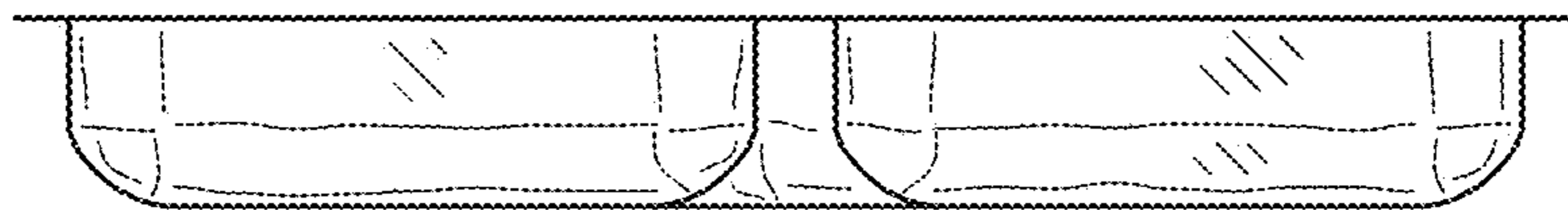


FIG. 5

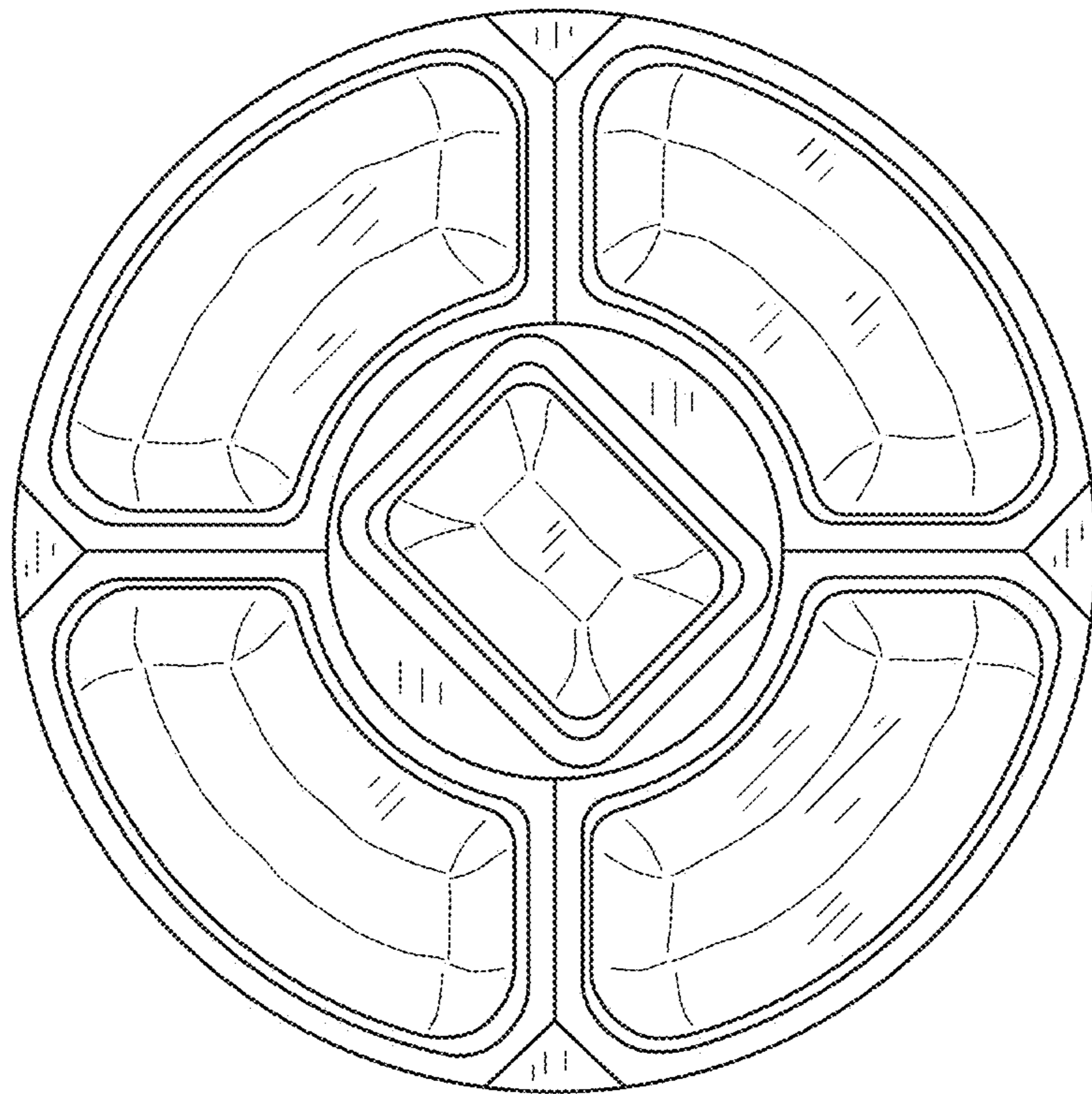


FIG.6

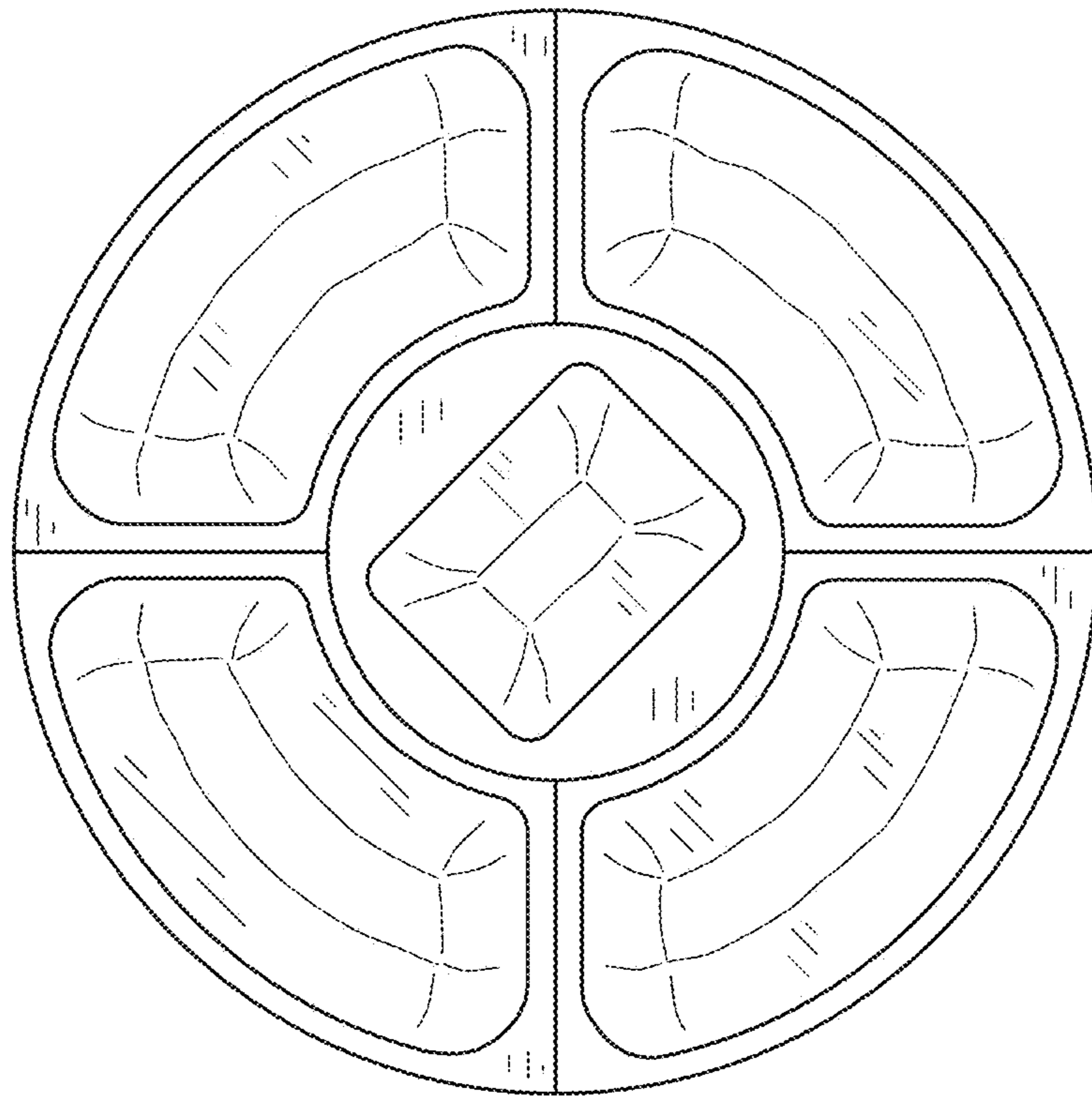


FIG. 7