



US00D707083S

(12) **United States Design Patent**
Miller

(10) **Patent No.:** **US D707,083 S**
(45) **Date of Patent:** **** Jun. 17, 2014**

(54) **CERAMIC COOKER LID HANDLE**

(71) Applicant: **Mike D. Miller**, Springfield, MO (US)

(72) Inventor: **Mike D. Miller**, Springfield, MO (US)

(**) Term: **14 Years**

(21) Appl. No.: **29/442,295**

(22) Filed: **Jan. 25, 2013**

(51) **LOC (10) Cl.** **07-02**

(52) **U.S. Cl.**
USPC **D7/406**

(58) **Field of Classification Search**
USPC D7/332, 334-337, 402-409; 126/25 R,
126/25 A, 25 AA, 25 B, 9 R, 9 B, 41 R, 37 R,
126/40, 50; D6/574; 211/90.01, 90.04;
108/65, 69

See application file for complete search history.

(56) **References Cited**

U.S. PATENT DOCUMENTS

2,513,580 A	7/1950	Milligan	126/25 R
D172,797 S	8/1954	Long	D7/334
2,768,042 A	10/1956	Persinger et al.	108/152
2,787,995 A	4/1957	Alter	126/25 R
3,049,071 A	8/1962	Diack	99/340
D201,416 S	6/1965	Sazegar	D81/10
D201,937 S	8/1965	Johnson	D81/10
D219,693 S	1/1971	Hahn	D81/10
D229,660 S	12/1973	Gammon	D7/107
D238,040 S	12/1975	Hardy	D7/107
D262,427 S	12/1981	Boston	D7/107
4,337,751 A	7/1982	Sampson et al.	126/25 R
5,016,607 A	5/1991	Doolittle et al.	126/25 R
D327,805 S	7/1992	Parent et al.	D7/334
D361,467 S	8/1995	Kabayama	D7/334
D377,734 S *	2/1997	Bird et al.	D7/402
D377,735 S *	2/1997	Craven	D7/406
D379,572 S	6/1997	Bradley et al.	D7/402
D379,581 S	6/1997	Sieg et al.	D8/316

5,666,941 A *	9/1997	Teufel et al.	126/41 R
D410,818 S	6/1999	Best	D7/403
D413,043 S *	8/1999	Wagner et al.	D7/406
D413,229 S *	8/1999	Hopkins et al.	D7/406
5,941,228 A *	8/1999	McKenzie	126/25 R
5,941,229 A *	8/1999	Schlosser et al.	126/41 R
D416,441 S *	11/1999	Wagner et al.	D7/406
D420,243 S	2/2000	Samaras	D7/332
D436,004 S *	1/2001	Wagner	D7/402
D443,179 S *	6/2001	Wagner	D7/406
D444,663 S	7/2001	Samaras	D7/337
D449,490 S	10/2001	Frederick	D7/332
D451,759 S *	12/2001	Joss et al.	D7/402

(Continued)

OTHER PUBLICATIONS

Online Review: Kamado. Ceramic. And Other Egg-Style Cookers. Accessed Jan. 25, 2013 at http://amazingribs.com/BBQ_buyers_guide/smokers/egg_kamado_and_ceramic_grills_and_smokers.html (8 pages).

(Continued)

Primary Examiner — Ruth McInroy

(74) *Attorney, Agent, or Firm* — Jonathan A. Bay

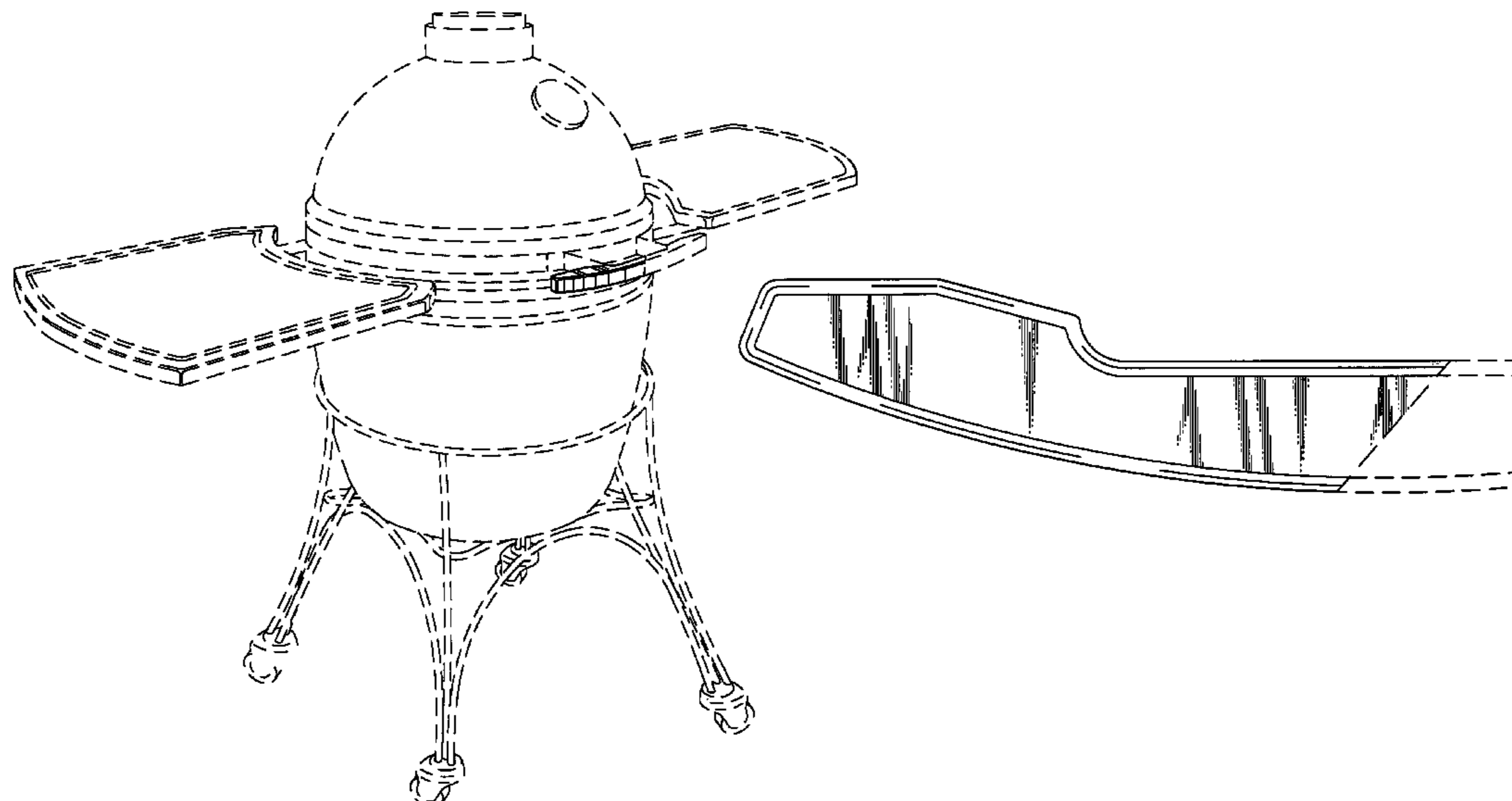
(57) **CLAIM**

The ornamental design for a ceramic cooker lid handle, as shown and described.

DESCRIPTION

FIG. 1 is a perspective view of a ceramic cooker lid handle showing my new design; FIG. 2 is an enlarged perspective view thereof; FIG. 3 is a top plan view thereof; FIG. 4 is a left side elevational view thereof, the right side being a mirror image; and, FIG. 5 is a front elevational view thereof. The broken lines represent boundary lines and environmental details which form no part of the claimed design.

1 Claim, 3 Drawing Sheets



(56)

References Cited

U.S. PATENT DOCUMENTS

D454,753	S *	3/2002	Pai	D7/402
D462,234	S *	9/2002	Alden et al.	D7/402
6,463,923	B2	10/2002	Carley et al.	126/25 R
D469,651	S	2/2003	Samaras	D7/337
D478,472	S	8/2003	Cozzolino et al.	D7/402
D480,914	S *	10/2003	Wagner et al.	D7/406
6,792,936	B2 *	9/2004	Wagner et al.	126/41 R
D511,650	S *	11/2005	McKenzie	D7/402
D520,813	S	5/2006	Chung	D7/402
D537,295	S *	2/2007	Debord et al.	D7/406
7,201,458	B2	4/2007	DeMars	312/140.2
D541,588	S *	5/2007	McKenzie	D7/402
D546,624	S *	7/2007	Pai	D7/406
D566,463	S *	4/2008	Chung	D7/402
7,354,120	B2	4/2008	DeMars	312/140.2
D590,201	S	4/2009	Zagar	D7/335
D615,807	S	5/2010	Creel	D7/358
D615,814	S	5/2010	Creel	D7/402
D621,212	S	8/2010	Bruno et al.	D7/402
D621,216	S *	8/2010	Bruno et al.	D7/406
D631,287	S	1/2011	Grasso et al.	D7/394
D631,288	S	1/2011	Grasso et al.	D7/394
D642,416	S	8/2011	Scott et al.	D7/332
D674,569	S	1/2013	Schelling	D32/74
2002/0033172	A1	3/2002	Ruiz	126/25 R
2004/0065313	A1	4/2004	Thompson	126/37 R
2004/0112363	A1 *	6/2004	Speck et al.	126/41 R
2004/0154608	A1 *	8/2004	Ward et al.	126/41 R
2011/0283992	A1 *	11/2011	DeMars	126/41 R

OTHER PUBLICATIONS

Online Product Brochure: Bayou Classic Cypress Ceramic Grill. Accessed Jan. 25, 2013 at <http://www.thebayou.com/pages/cypress%20series.html> (2 pages).

Online Catalog: Big Green Egg: Nests. Tables. Mates & Shelves. Accessed Jan. 25, 2013 at <http://www.biggreenegg.com/> (4 pages).

Online Catalog: Big Steel Keg. Accessed Jan. 25, 2013 at <http://www.bigsteelkeg.com/>.

Online Press Release: GourmetPots. Accessed Jan. 25, 2013 at <http://www.prweb.com/releases/Gourmetpot/Grill/prweb4297744.htm> (2 pages).

Online Product Catalog: Grill Dome: Carts & Stands. Accessed Jan. 25, 2013 at <http://www.grilldome.com/carts-stands/> (3 pages).

Online Product Catalog: Homdoor Tandoori Grills. Accessed Jan. 25, 2013 at <https://www.homdoor.com/index.php/grills/> (2 pages).

Online Product Brochure: Kamado Joe: Classic Joe. Accessed Jan. 25, 2013 at <http://www.kamadojoe.com/classicjoe.html> (3 pages).

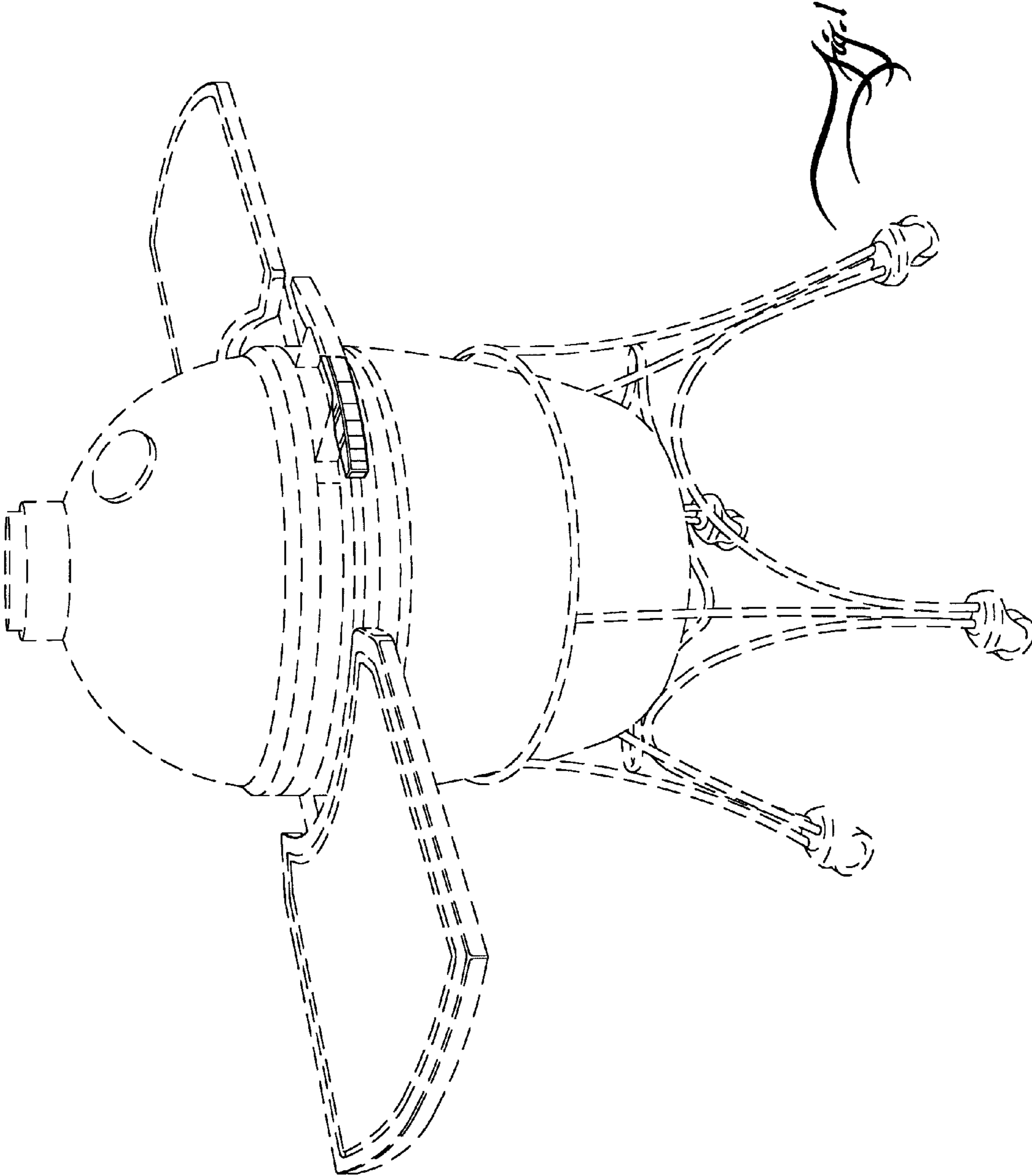
Online Store Front: Char-Griller Kamado Kooker Charcoal Barbecue Grill and Smoker. Accessed Jan. 25, 2013 at <http://www.amazon.com/Char-Griller-16619-Kamado-Charcoal-Barbecue/dp/B005ELWI7S> (2 pages).

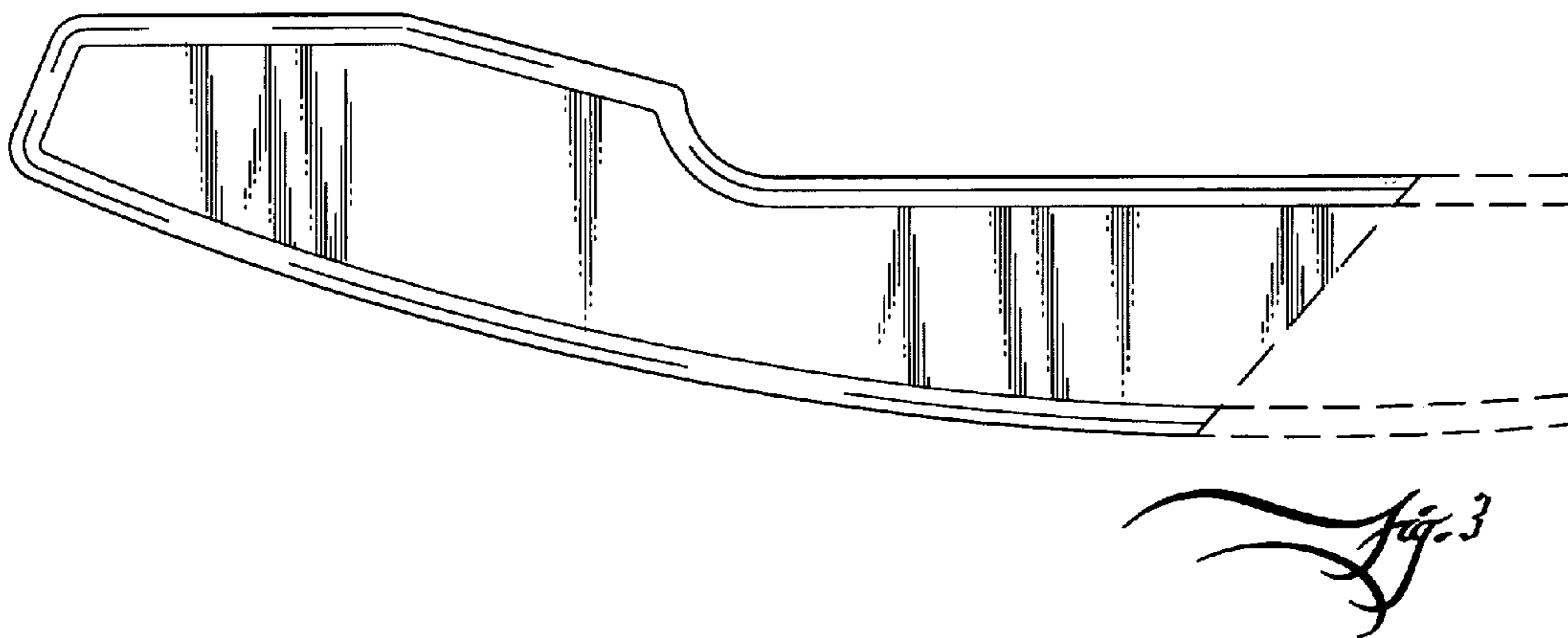
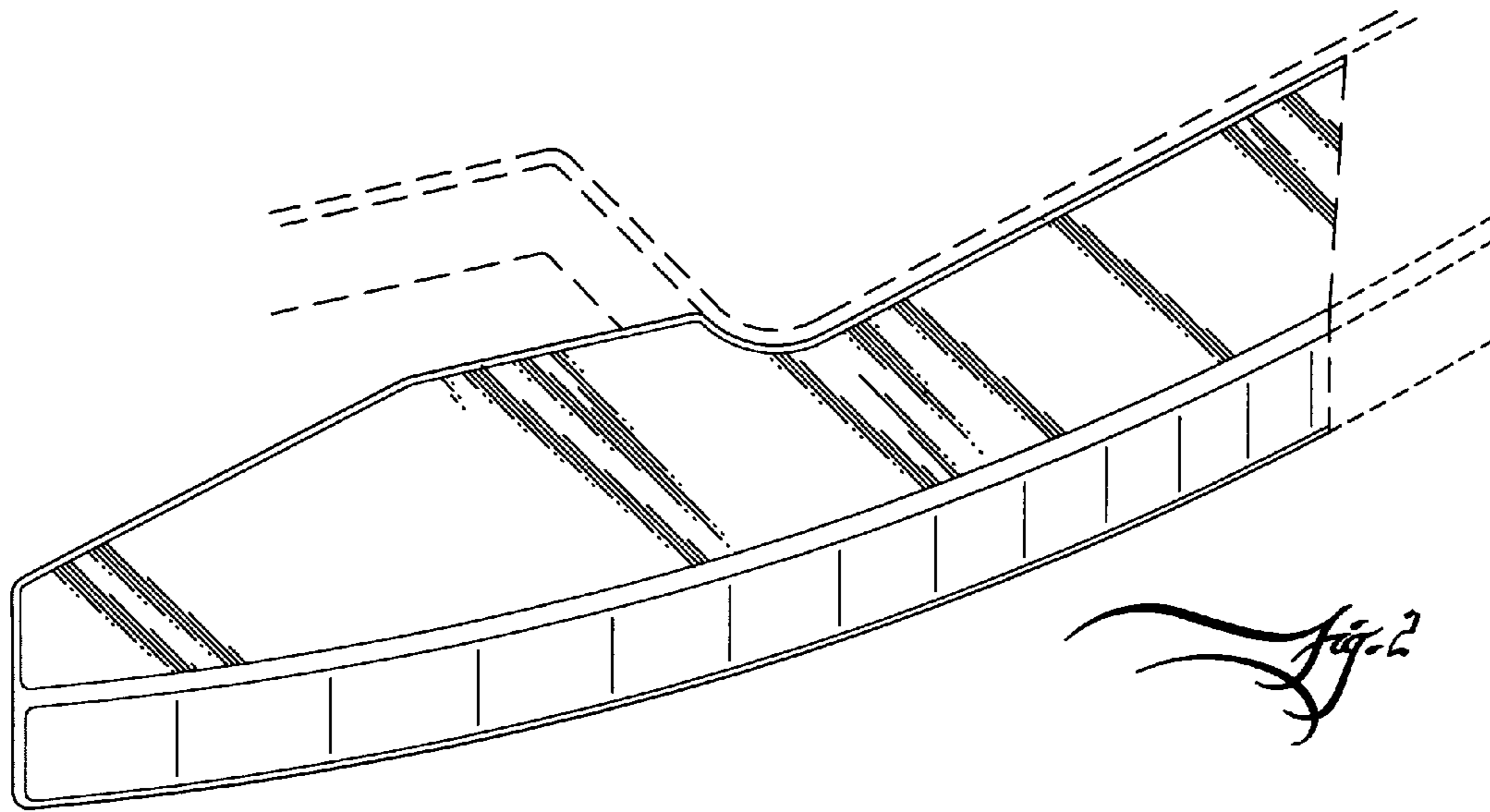
Screen shot from an online store: Komodo Kamado. Accessed Jan. 25, 2013 at <http://www.komodokamado.com/galleries/kk-gallery> (1 page).

Online Catalog: Primo Grill Grills & Smokers. Accessed Jan. 25, 2013 at <http://primogrill.com/primo-grills/> (3 pages).

Online Catalog: Saffire Grill & Smoker. Accessed Jan. 25, 2013 at http://www.saffiregrills.com/optional_features.html (2 pages).

* cited by examiner





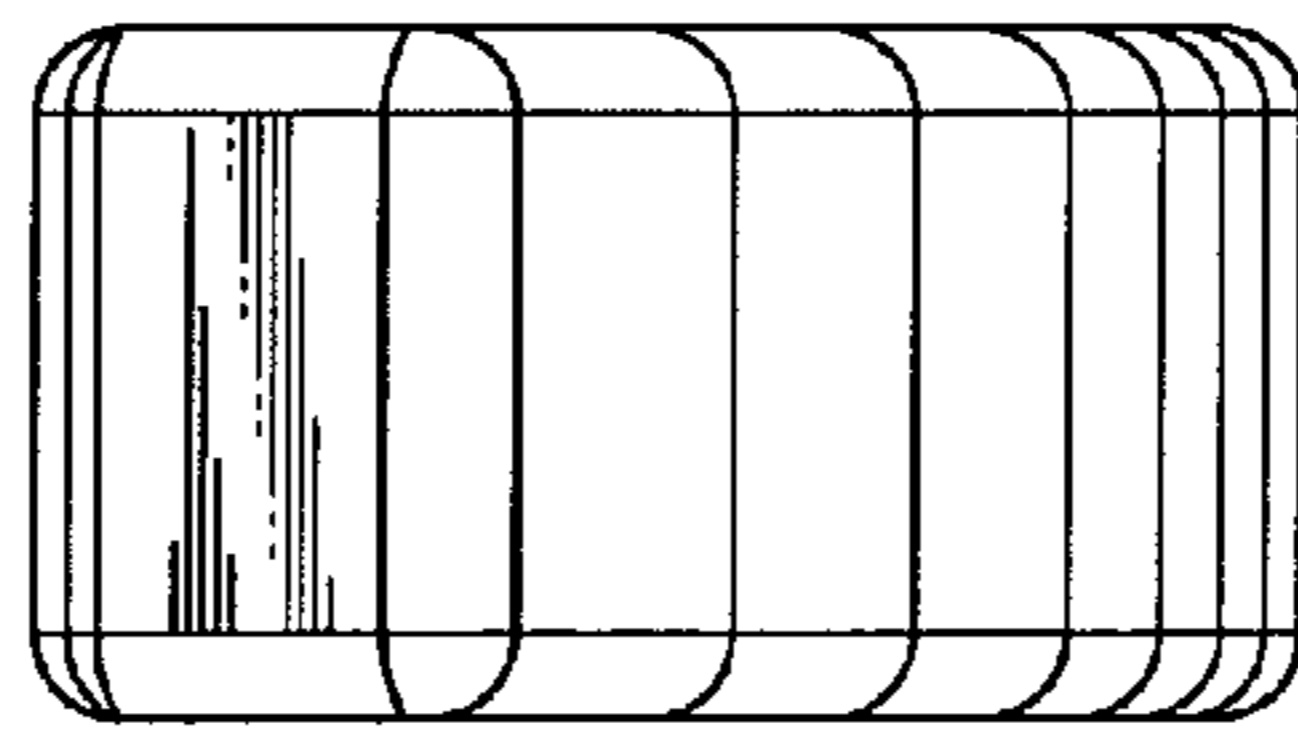


Fig. 4

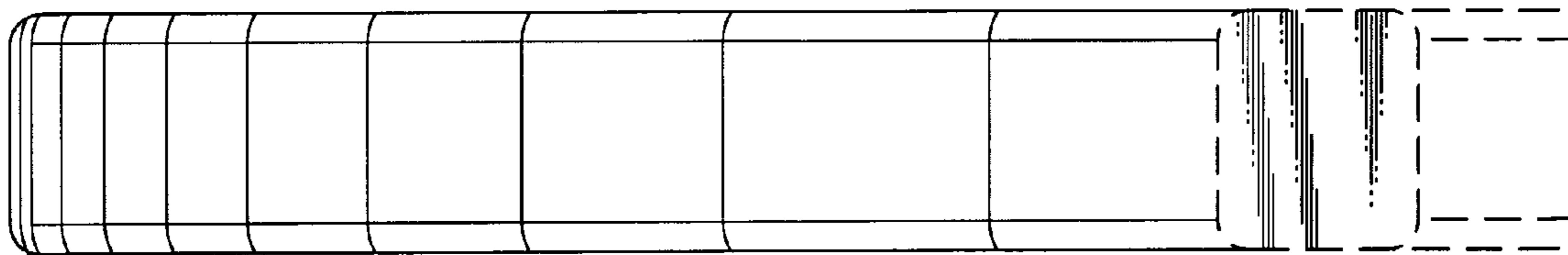


Fig. 5