



US00D707081S

(12) **United States Design Patent**  
**Shamoon**

(10) **Patent No.:** **US D707,081 S**  
(45) **Date of Patent:** **\*\* Jun. 17, 2014**

(54) **TRIVET**

- (71) Applicant: **Ellis N. Shamoon**, Dallas, TX (US)
- (72) Inventor: **Ellis N. Shamoon**, Dallas, TX (US)
- (\*\*) Term: **14 Years**
- (21) Appl. No.: **29/443,734**
- (22) Filed: **Jan. 22, 2013**
- (51) **LOC (10) Cl.** ..... **07-99**
- (52) **U.S. Cl.**  
USPC ..... **D7/388; D7/409**
- (58) **Field of Classification Search**  
USPC ..... D7/389, 388, 408, 409, 407, 346;  
248/152, 150; 126/214 C  
See application file for complete search history.

(56) **References Cited**

**U.S. PATENT DOCUMENTS**

D119,039	S	*	2/1940	Hennesey	.....	D7/408
D142,617	S	*	10/1945	Coleman	.....	D7/408
D214,857	S	*	8/1969	Felderchen	.....	D7/408
D215,903	S	*	11/1969	Hammel	.....	D7/408
D236,867	S	*	9/1975	Horholt	.....	D7/408
D278,306	S	*	4/1985	McIntosh	.....	D7/409
4,527,539	A	*	7/1985	Kay	.....	126/39 R
5,002,039	A	*	3/1991	Esposito	.....	126/214 C
D326,029	S	*	5/1992	Lok	.....	D7/346

**OTHER PUBLICATIONS**

- ALIBABA.COM, cast\_iron\_grate.html, Jan. 1, 2013.
- ALIBABA.COM, cast\_iron\_grate\_gas\_stove.html, Jan. 1, 2013.
- ALIBABA.COM, gas\_stove\_burner\_grates.html, Jan. 1, 2013.
- ALIBABA.COM, High\_Quality\_cast\_iron\_stove\_grates.html, Jan. 1, 2013.
- ALIBABA.COM, Stove\_Grate.html, Jan. 1, 2013.

\* cited by examiner

*Primary Examiner* — Marianne Pandozzi  
(74) *Attorney, Agent, or Firm* — Daniel V. Thompson

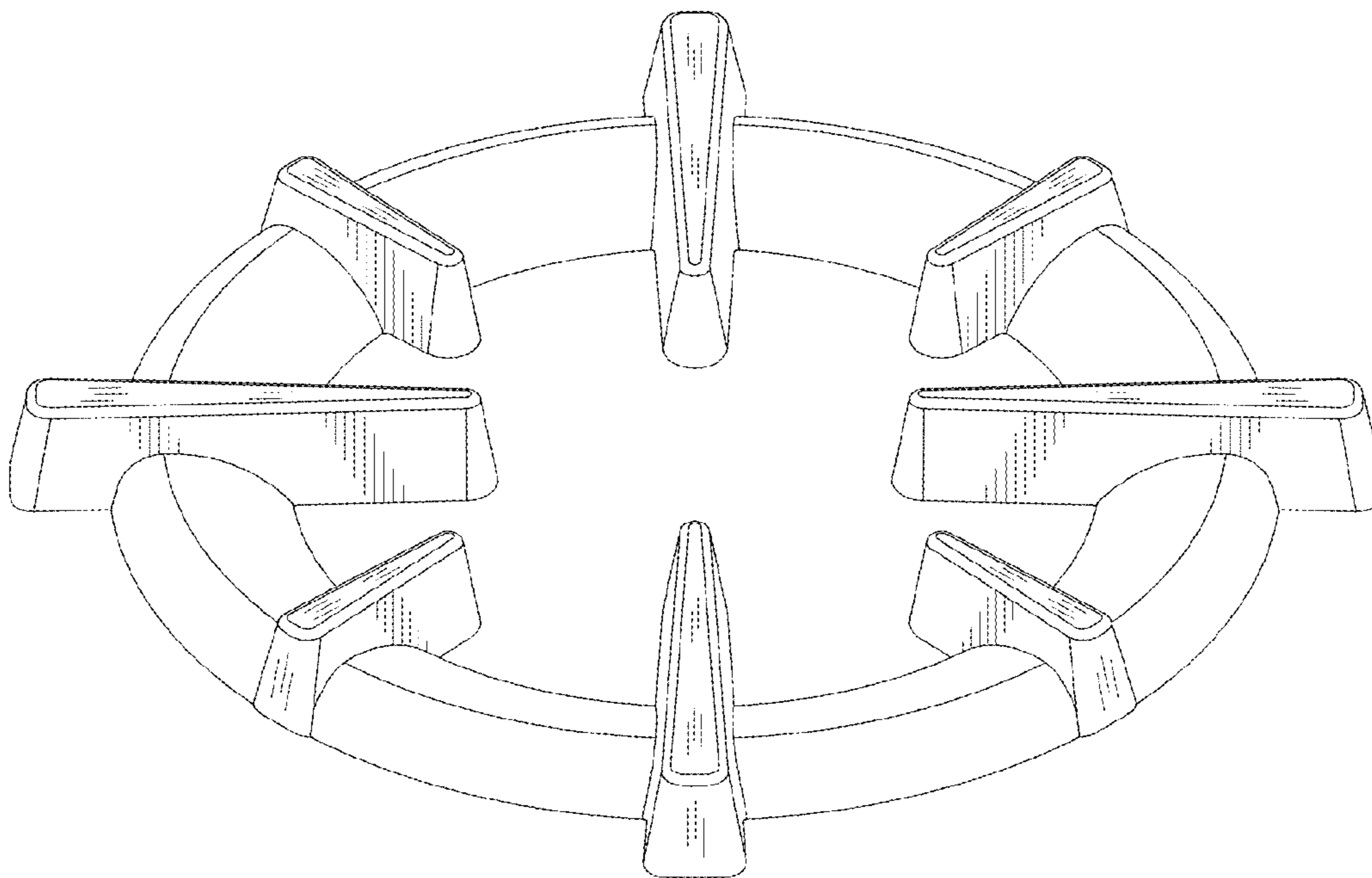
(57) **CLAIM**

The ornamental design for a trivet, as shown and described.

**DESCRIPTION**

FIG. 1 is a top-facing perspective view of the trivet showing my new design;  
 FIG. 2 is a bottom-facing perspective view thereof;  
 FIG. 3 is a top plan view thereof;  
 FIG. 4 is a front elevational view thereof; and,  
 FIG. 5 is a right-side elevational view thereof.  
 The trivet of the present invention is symmetrical so that the front and rear views are identical as are both side views.

**1 Claim, 4 Drawing Sheets**



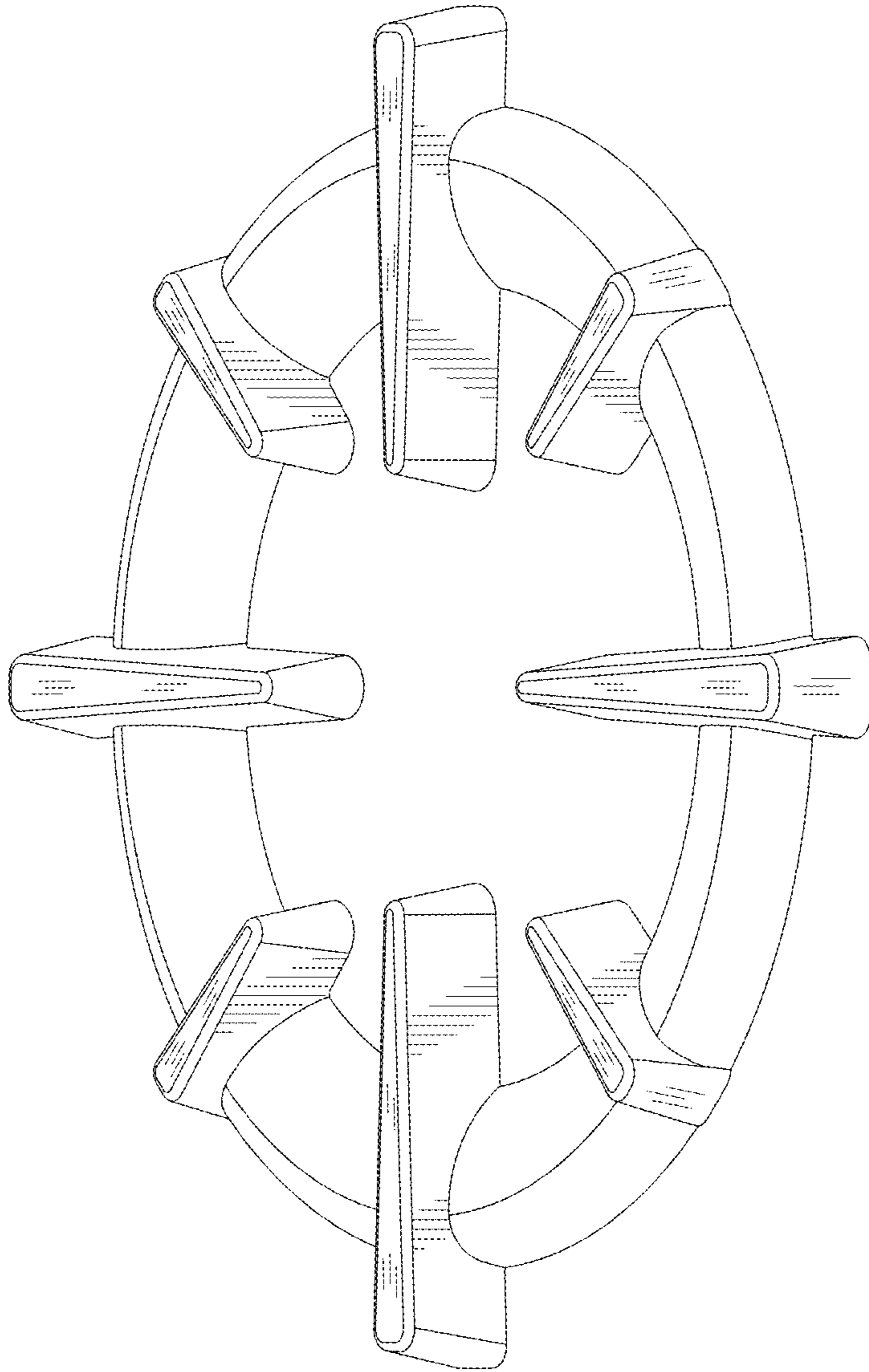


Fig. 1

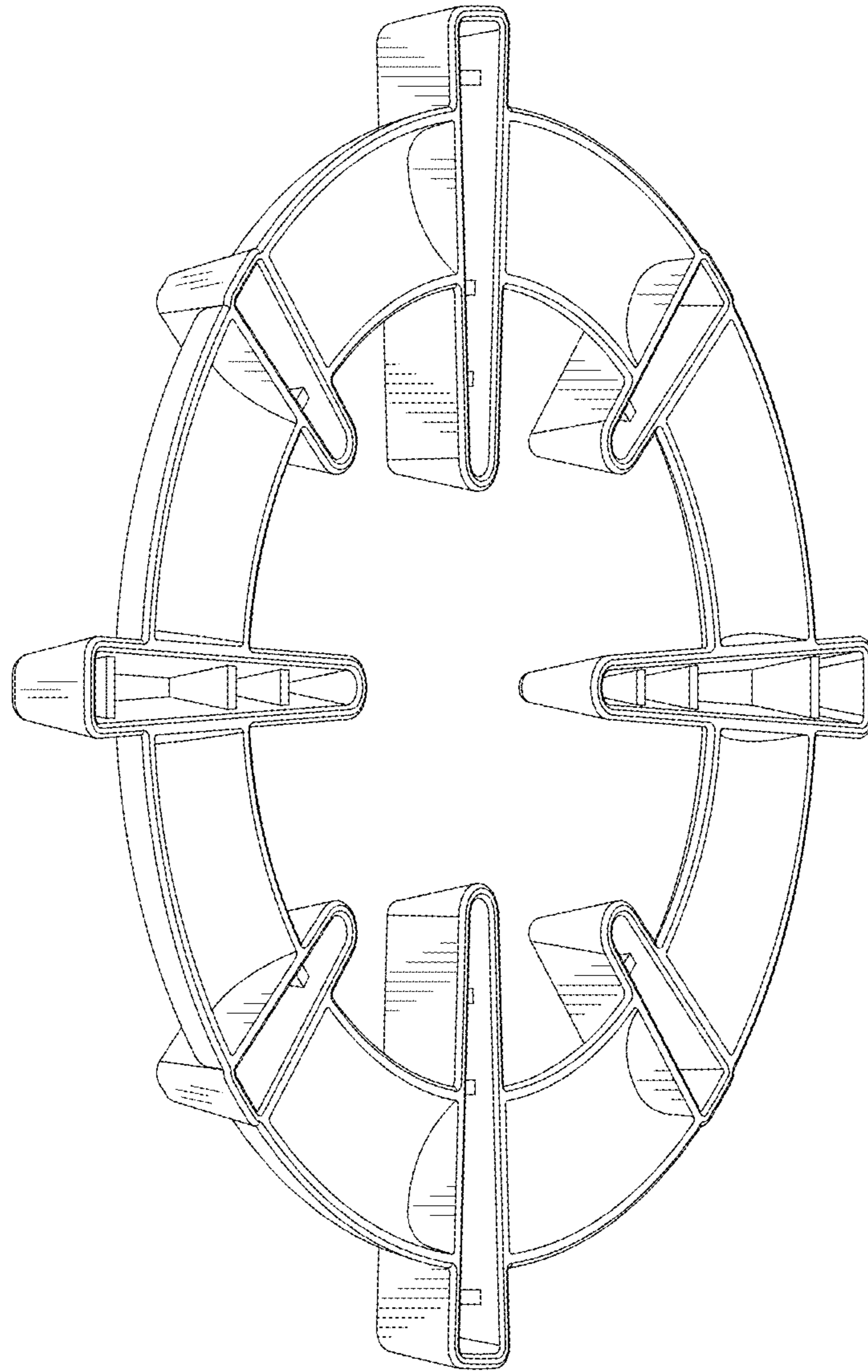


Fig. 2

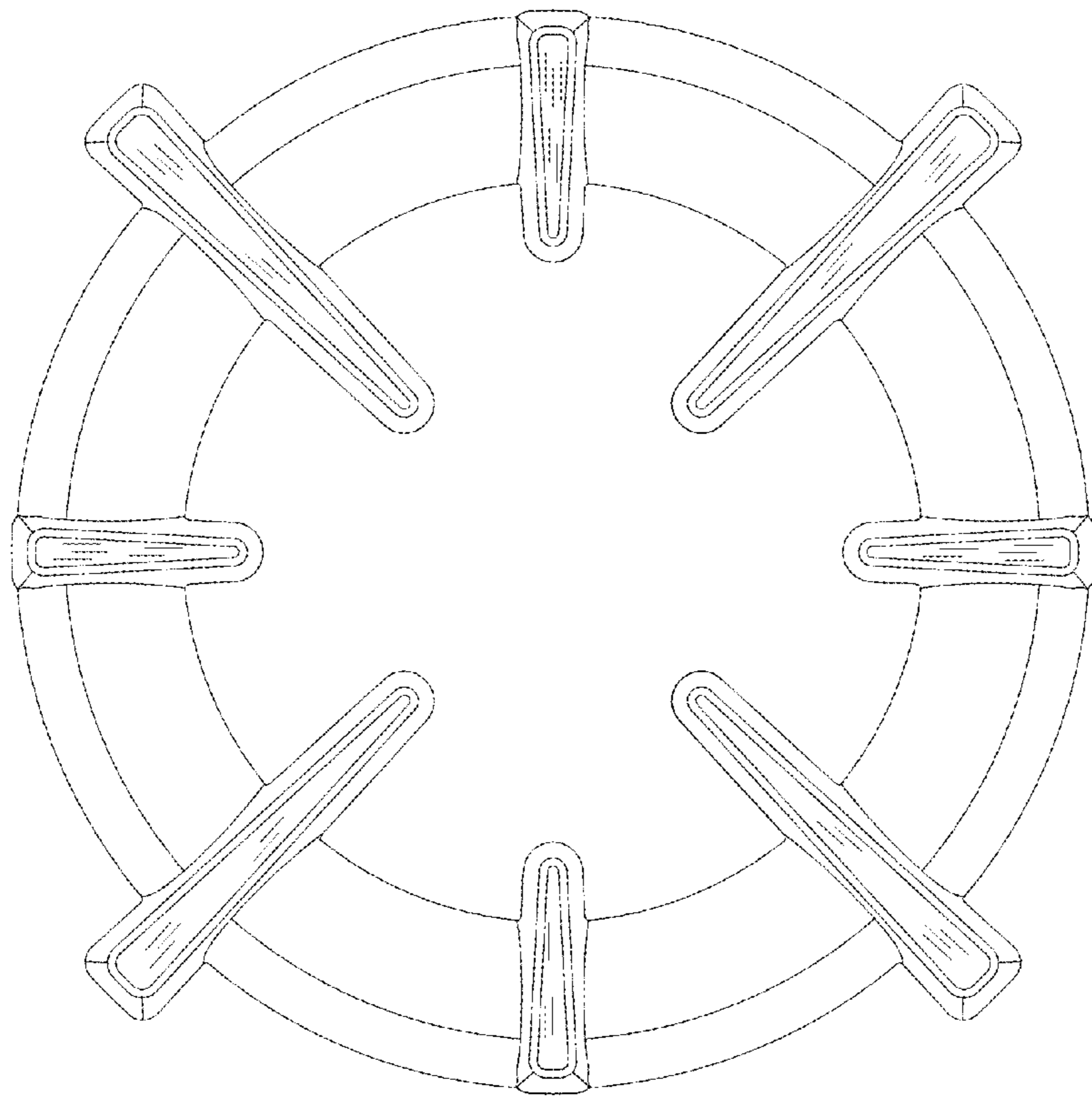


Fig. 3

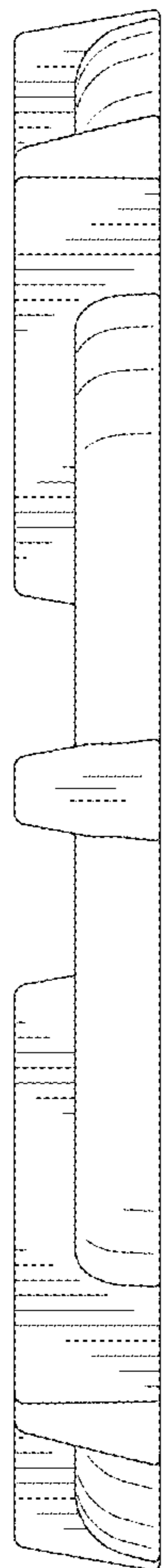


Fig. 4

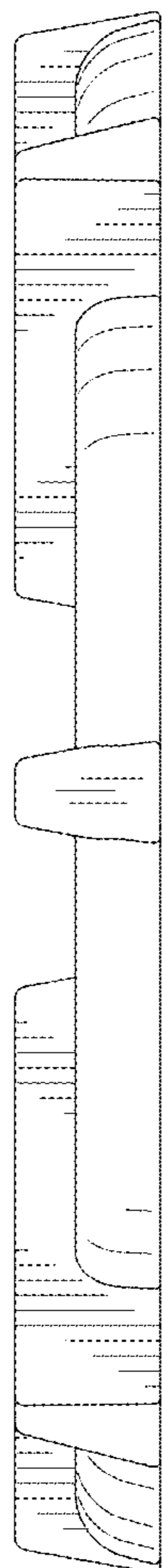


Fig. 5