



US00D707080S

(12) **United States Design Patent**
Shamoon

(10) **Patent No.:** **US D707,080 S**
(45) **Date of Patent:** **** Jun. 17, 2014**

(54) **TRIVET**

(71) Applicant: **Ellis N. Shamoon**, Dallas, TX (US)

(72) Inventor: **Ellis N. Shamoon**, Dallas, TX (US)

(**) Term: **14 Years**

(21) Appl. No.: **29/443,732**

(22) Filed: **Jan. 22, 2013**

(51) **LOC (10) Cl.** **07-99**

(52) **U.S. Cl.**
USPC **D7/388**; D7/409

(58) **Field of Classification Search**
CPC A47G 23/0316
USPC D7/389, 388, 408, 409, 407, 346;
248/152, 150; 126/214 C

See application file for complete search history.

(56) **References Cited**

U.S. PATENT DOCUMENTS

1,697,184	A	*	1/1929	Harner et al.	126/214 C
4,448,186	A	*	5/1984	Smith	126/215
D378,262	S	*	3/1997	Sparks	D7/408
D538,100	S	*	3/2007	Dodge	D7/388
D546,119	S	*	7/2007	Dodge	D7/388
D602,738	S	*	10/2009	Bengtson et al.	D7/408

D604,559	S	*	11/2009	Woodruff	D7/408
D696,064	S	*	12/2013	Hwang	D7/388
D697,756	S	*	1/2014	Segers et al.	D7/408

OTHER PUBLICATIONS

Alibaba.com, cast_iron_grate.html, Jan. 1, 2013.
Alibaba.com, cast_iron_grate_gas_stove.html, Jan. 1, 2013.
Alibaba.com, gas_stove_burner_grates.html, Jan. 1, 2013.
Alibaba.com, High_Quality_cast_iron_stove_grates.html, Jan. 1, 2013.
Alibaba.com, Stove_Grate.html, Jan. 1, 2013.

* cited by examiner

Primary Examiner — Marianne Pandozzi

(74) *Attorney, Agent, or Firm* — Daniel V. Thompson

(57) **CLAIM**

The ornamental design for a trivet, as shown and described.

DESCRIPTION

FIG. 1 is a top-facing perspective view of the trivet showing my new design;

FIG. 2 is a bottom-facing perspective view thereof;

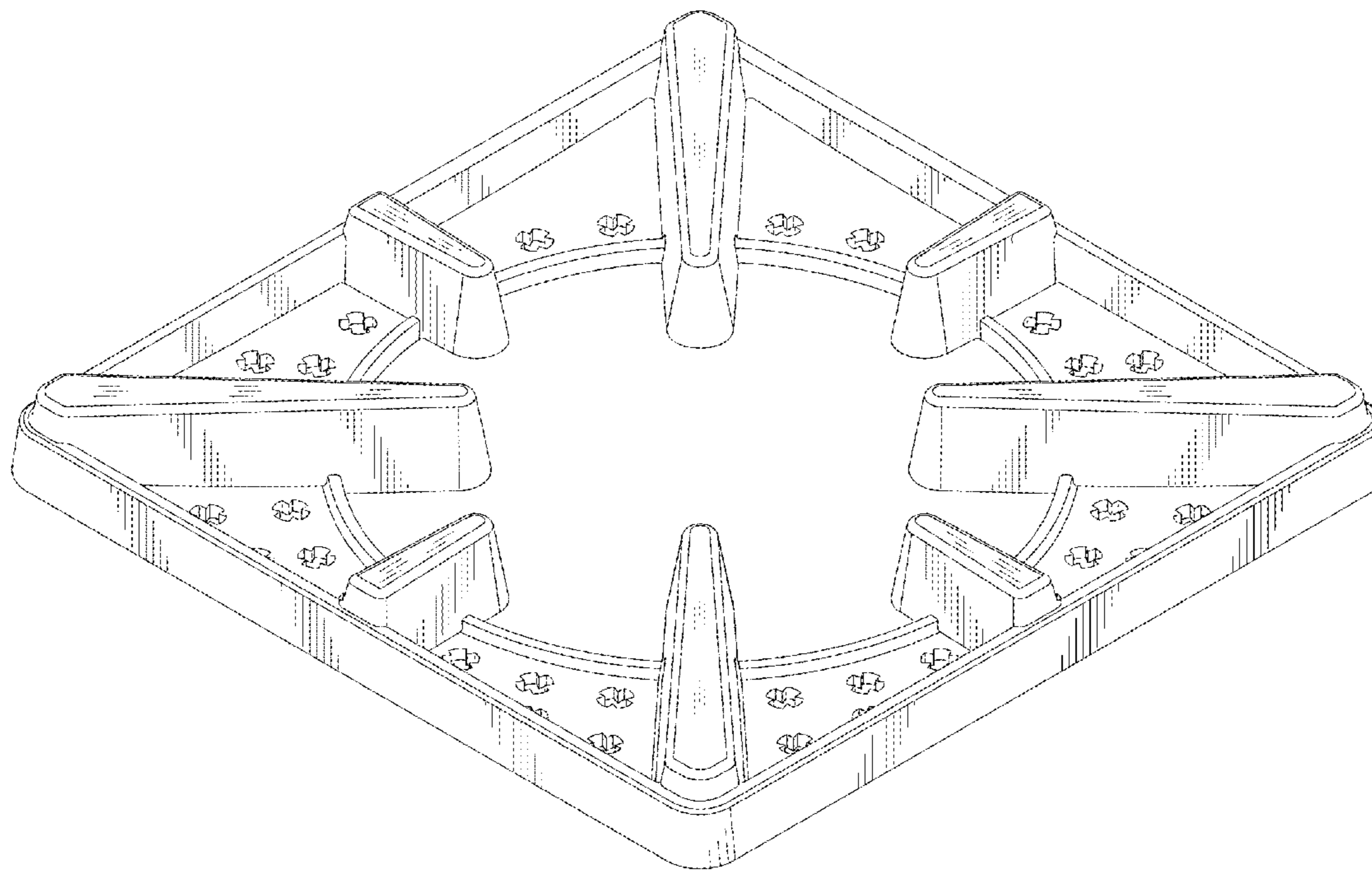
FIG. 3 is a top plan view thereof;

FIG. 4 is a front elevational view thereof; and,

FIG. 5 is a right-side elevational view thereof.

The trivet of the present invention is symmetrical so that the front and rear views are identical as are both side views.

1 Claim, 4 Drawing Sheets



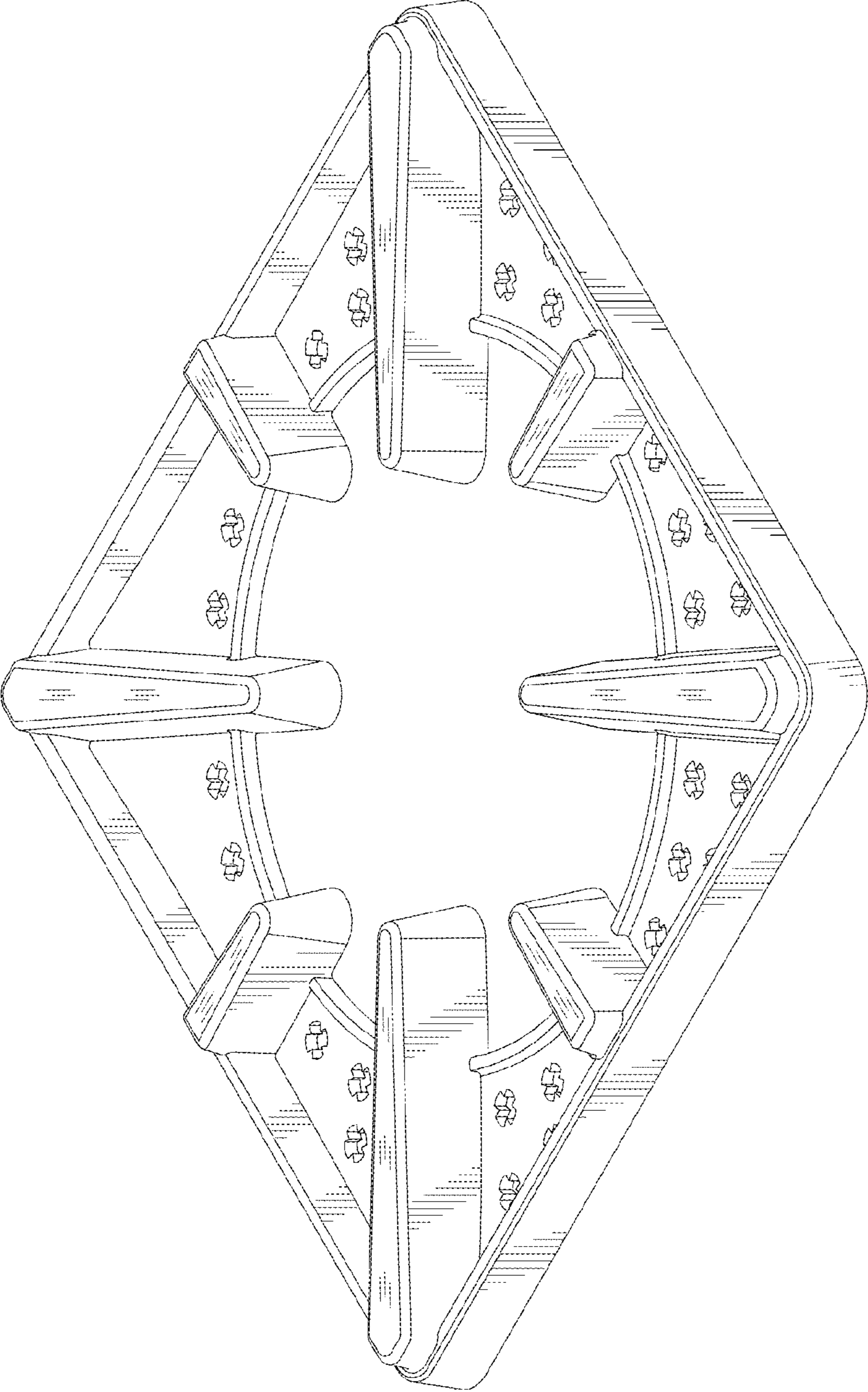


Fig. 1

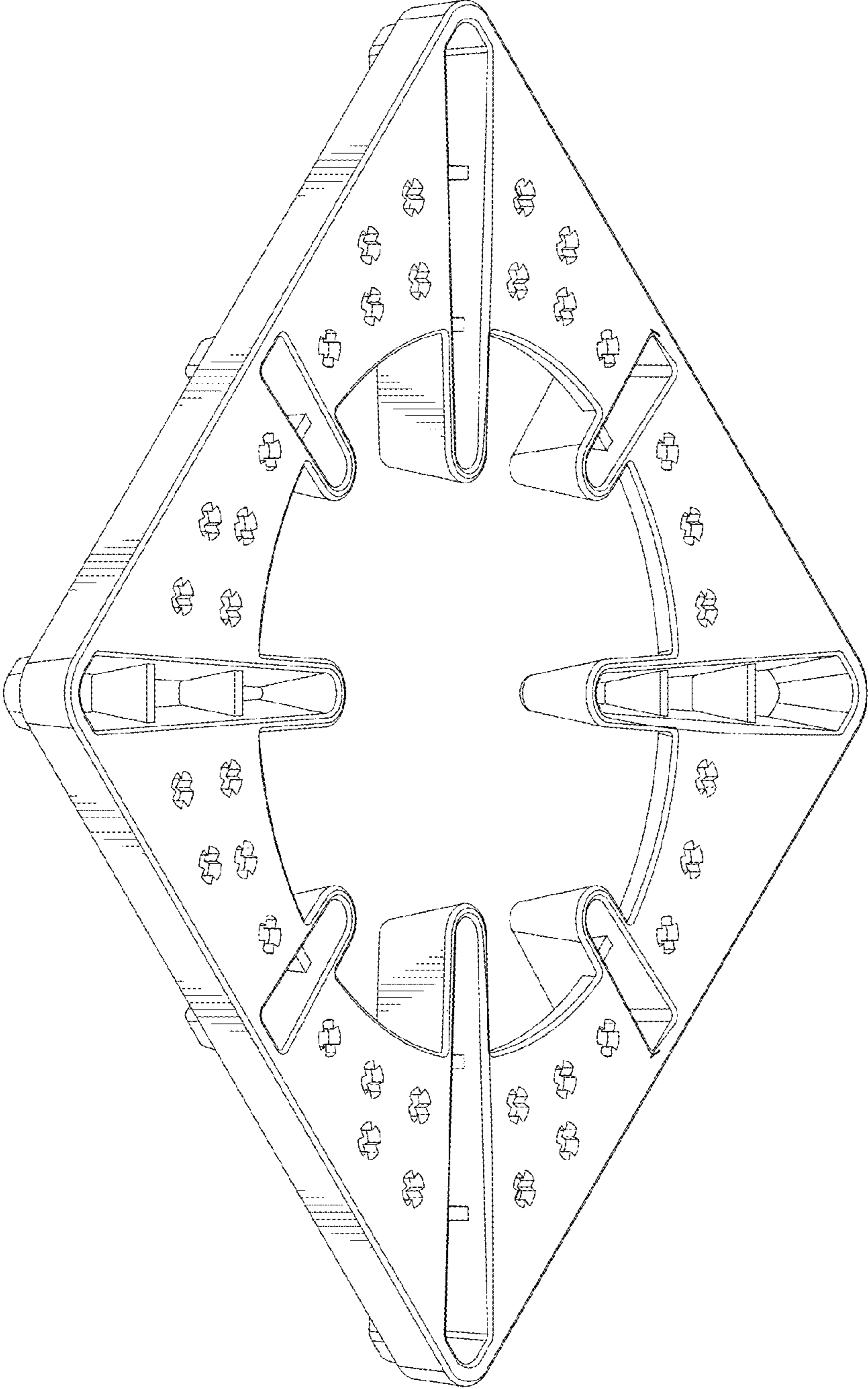


Fig. 2

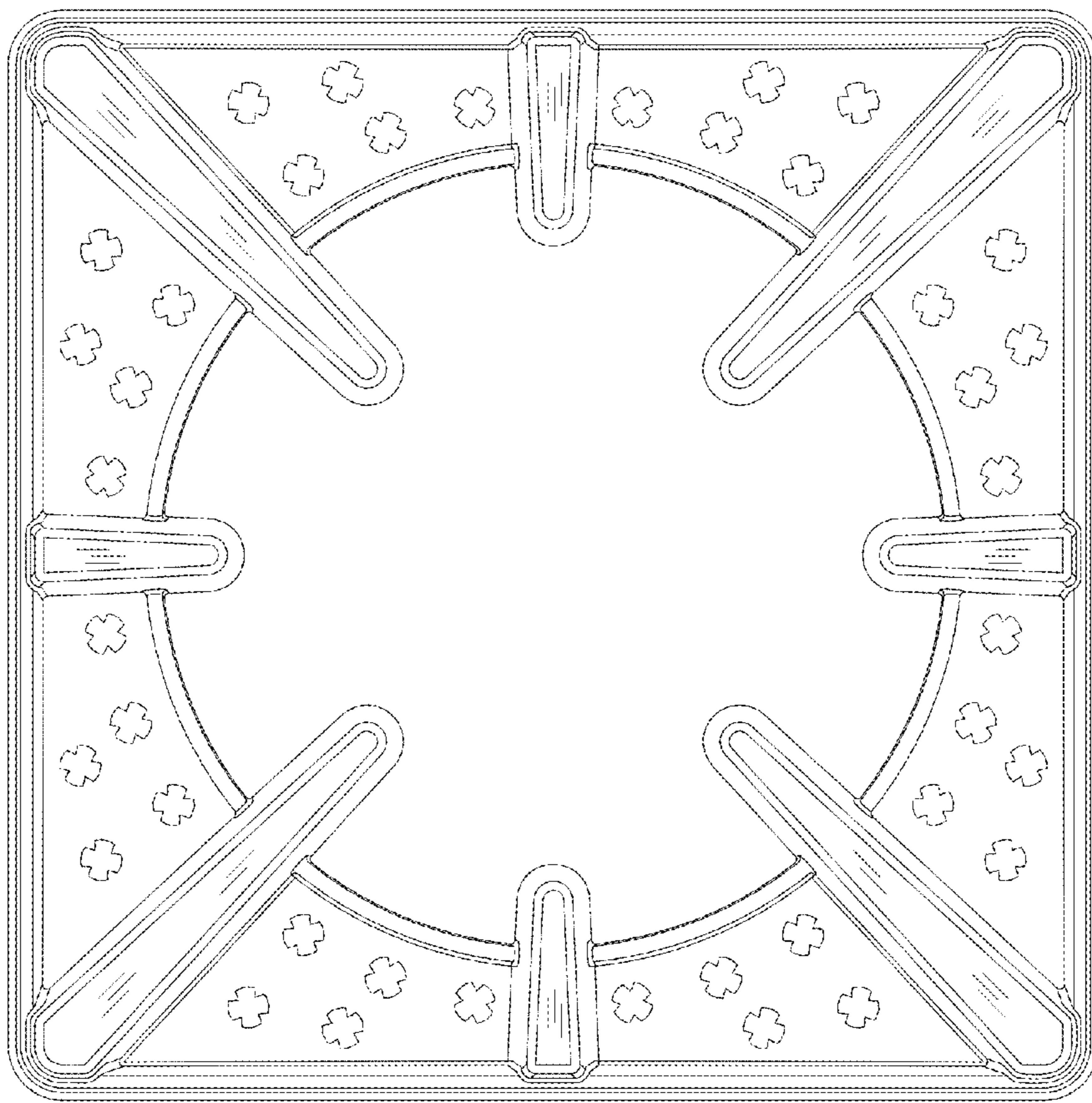


Fig. 3

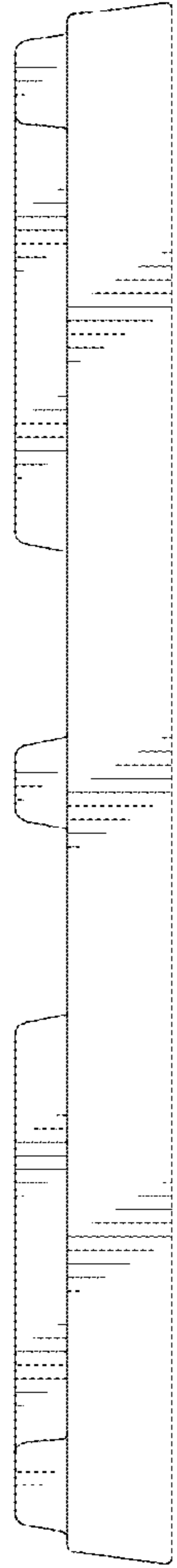


Fig. 4

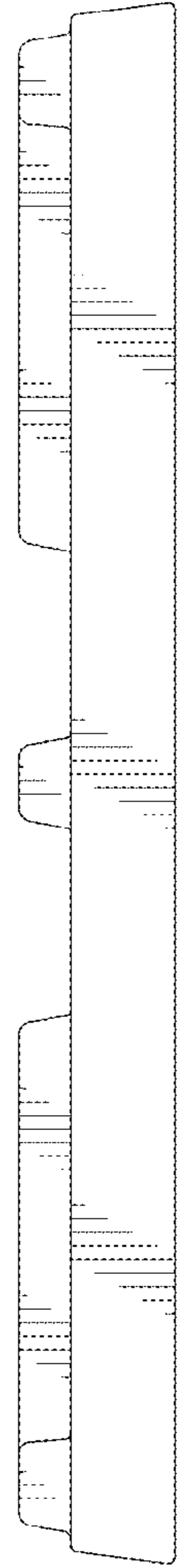


Fig. 5