



US00D707076S

(12) **United States Design Patent**  
**Borovicka et al.**

(10) **Patent No.:** **US D707,076 S**  
(45) **Date of Patent:** **\*\* Jun. 17, 2014**

(54) **BACON HOLDER**

- (71) Applicant: **Charcoal Companion Incorporated**,  
Berkeley, CA (US)
- (72) Inventors: **Cory Thomas Borovicka**, Oakland, CA  
(US); **Kwame Phillips-Solomon**,  
Emeryville, CA (US)
- (73) Assignee: **Charcoal Companion Incorporated**,  
Berkeley, CA (US)
- (\*\*) Term: **14 Years**

(21) Appl. No.: **29/461,560**

(22) Filed: **Jul. 24, 2013**

(51) **LOC (10) Cl.** ..... **07-02**

(52) **U.S. Cl.**  
USPC ..... **D7/354**

(58) **Field of Classification Search**  
USPC ..... D7/323, 329-332, 337-341, 346-349,  
D7/350.1-350.4, 353-367, 388-395,  
D7/402-409, 432, 446, 538, 542-543,  
D7/665; 99/324-325, 330-332, 337-349,  
99/366-369, 393, 400-418, 432, 444-450,  
99/476, 483; 126/9 B, 25 AA, 25 R, 30,  
126/37 R, 41 R, 261, 378.1, 390.1; 206/335,  
206/470; 219/368-387, 392, 400, 405,  
219/429-442, 452.11, 620-624, 725,  
219/730-735; 220/314-315, 486,  
220/573.1-573.5, 592.16, 608, 912;  
426/243

See application file for complete search history.

(56) **References Cited**

U.S. PATENT DOCUMENTS

3,713,379	A *	1/1973	Gordy	99/349
D227,132	S *	6/1973	Kelly	D7/359
4,064,797	A *	12/1977	Forlani	99/341
4,427,706	A *	1/1984	El-Hag	426/243
4,933,528	A *	6/1990	Barr	219/732
D370,825	S *	6/1996	Parduhn	D7/359
5,650,085	A *	7/1997	Chen	219/732
D383,032	S *	9/1997	Hollinger	D7/359
D386,939	S *	12/1997	Kelly et al.	D7/359
5,714,740	A *	2/1998	Kelly et al.	219/732
6,412,402	B1 *	7/2002	Griffin	99/432
7,004,064	B1 *	2/2006	Turner	99/446
7,259,360	B2 *	8/2007	Sholders	219/732

\* cited by examiner

*Primary Examiner* — Ricky Pham

(74) *Attorney, Agent, or Firm* — Beeson Skinner Beverly, LLP

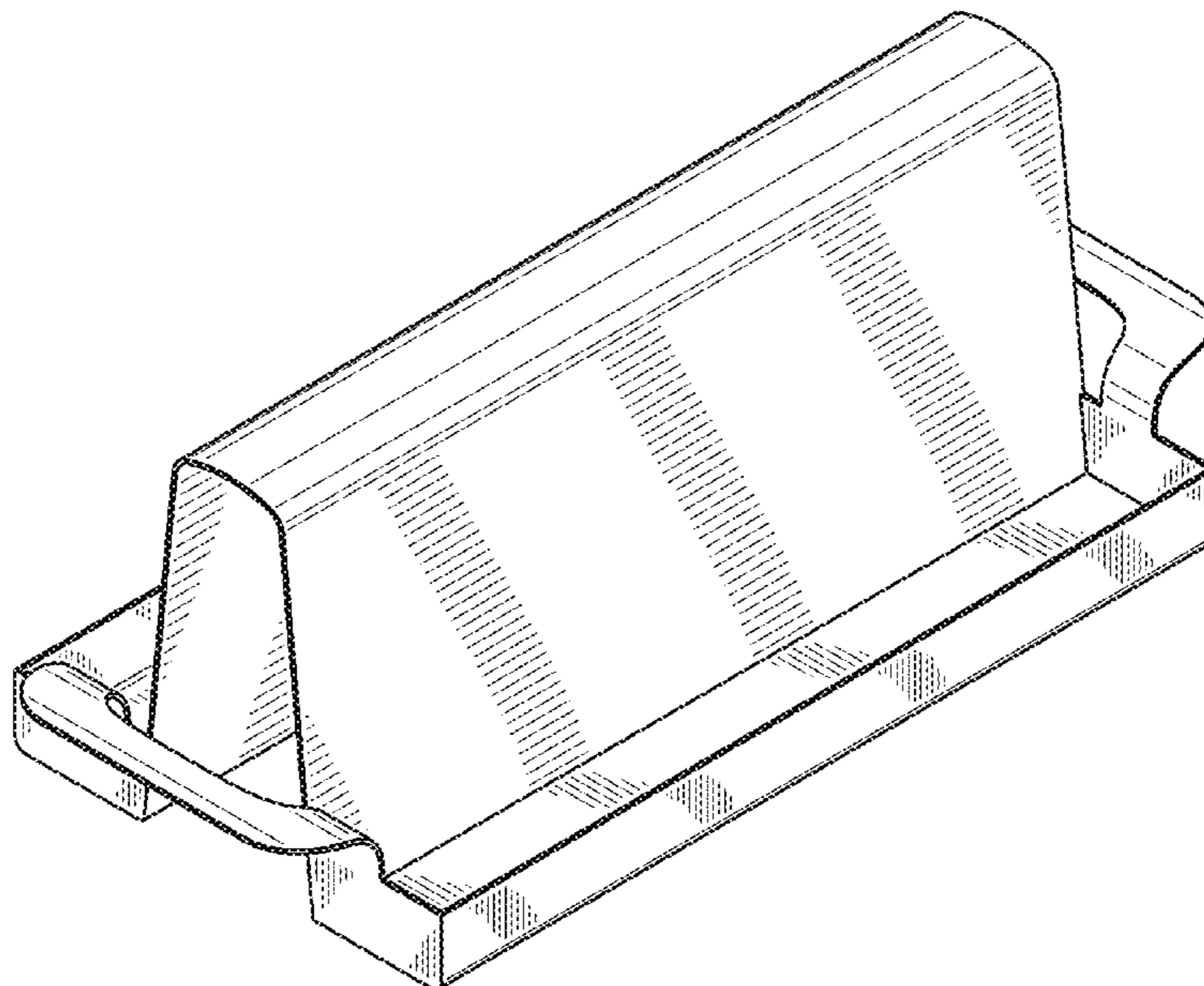
(57) **CLAIM**

The ornamental design for a bacon holder, as shown and described.

**DESCRIPTION**

FIG. 1 is a top perspective view of a bacon holder, showing our new design;  
FIG. 2 is a bottom perspective view thereof;  
FIG. 3 is a front elevational view thereof, the rear view being a mirror image;  
FIG. 4 is a right side elevational view thereof, the left side being a mirror image;  
FIG. 5 is a top plan view thereof; and,  
FIG. 6 is a bottom plan view thereof.

**1 Claim, 4 Drawing Sheets**



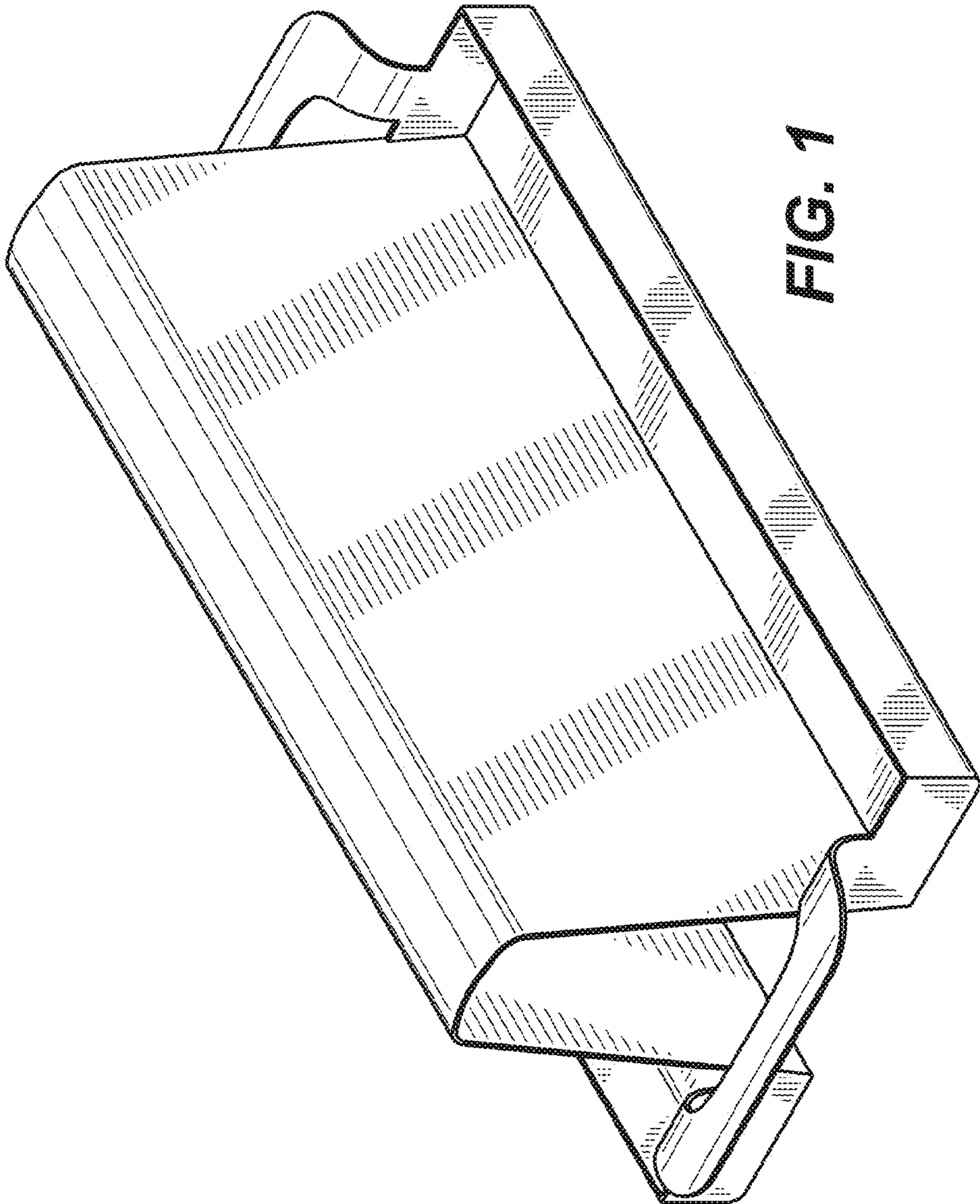


FIG. 1

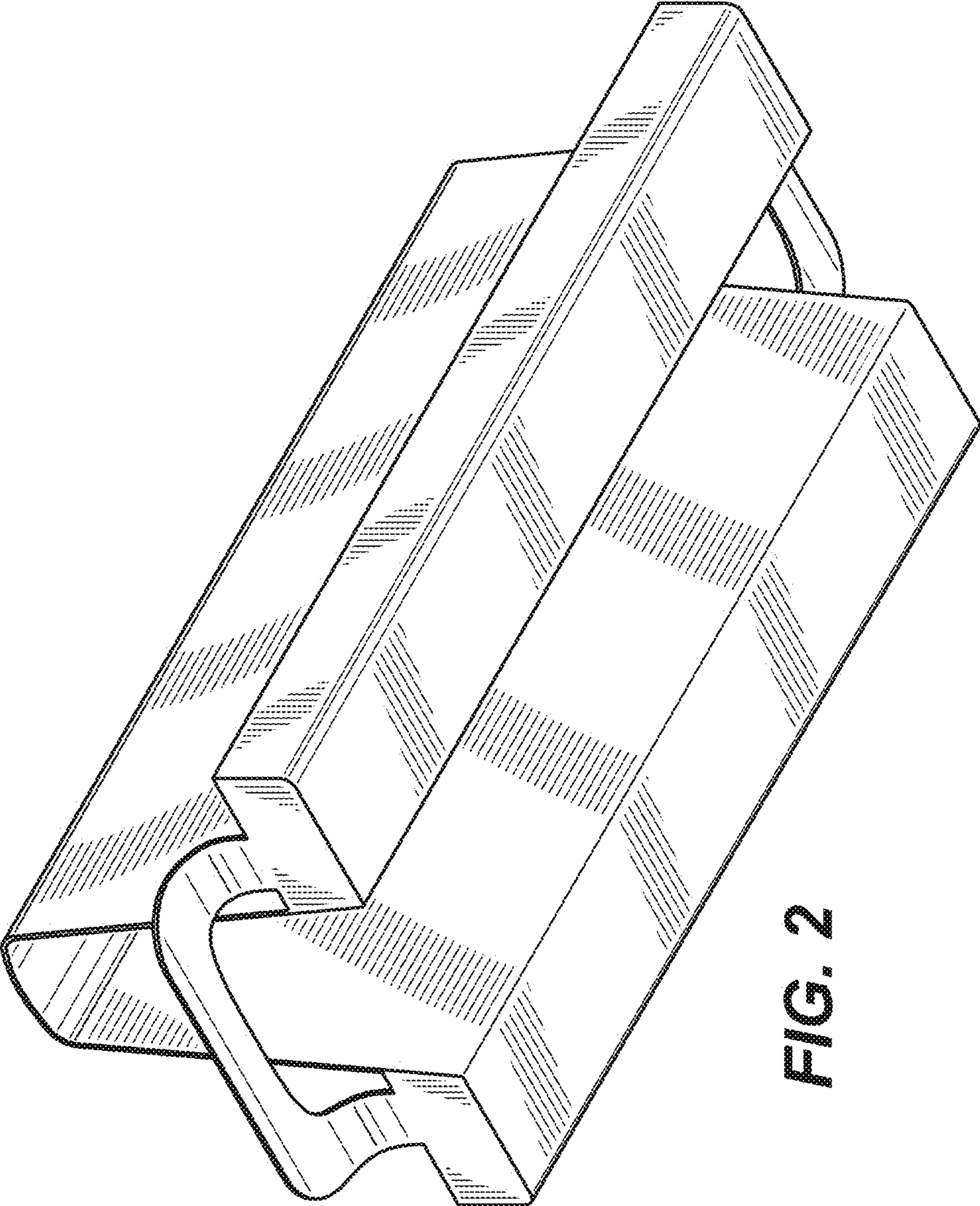


FIG. 2

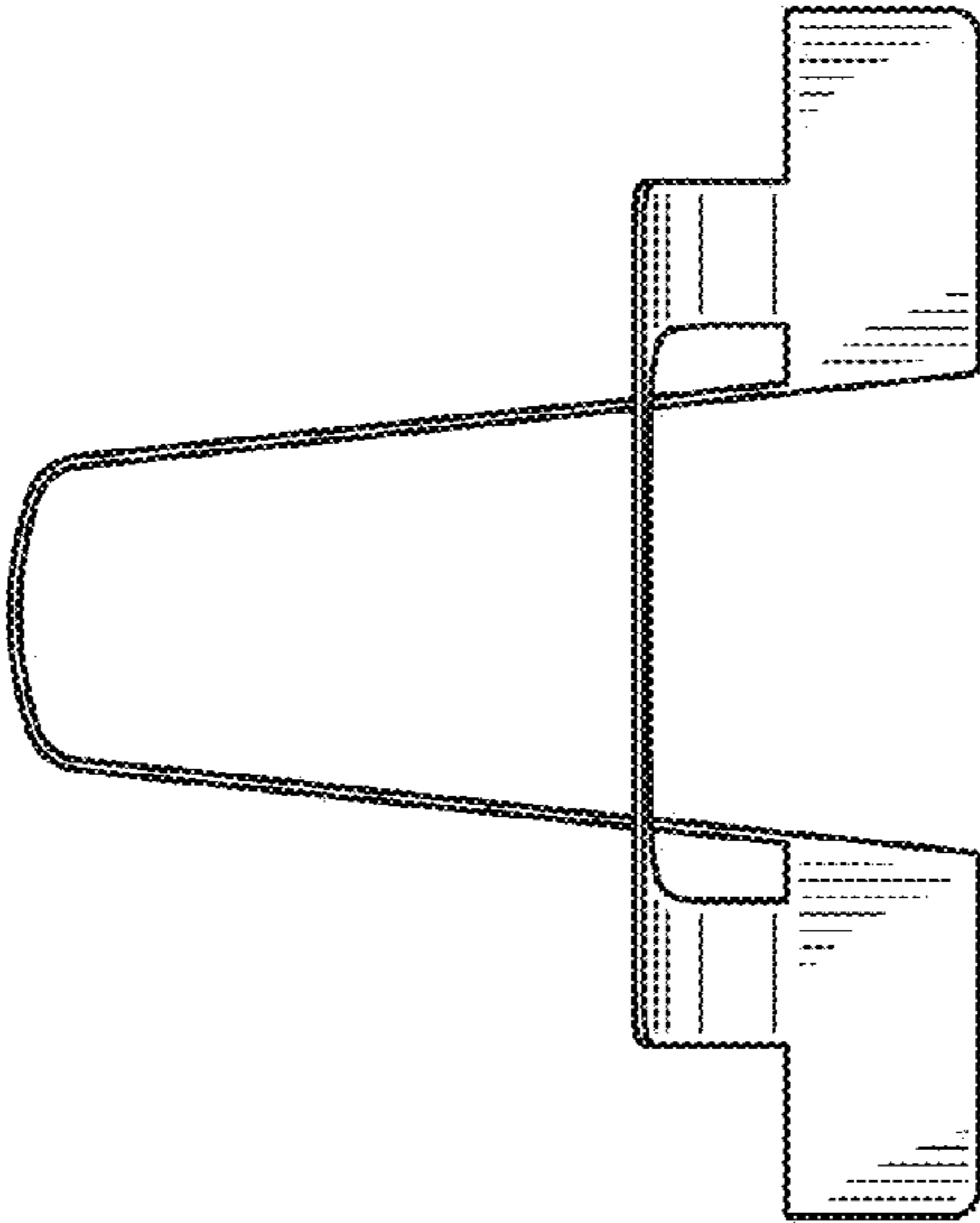


FIG. 4

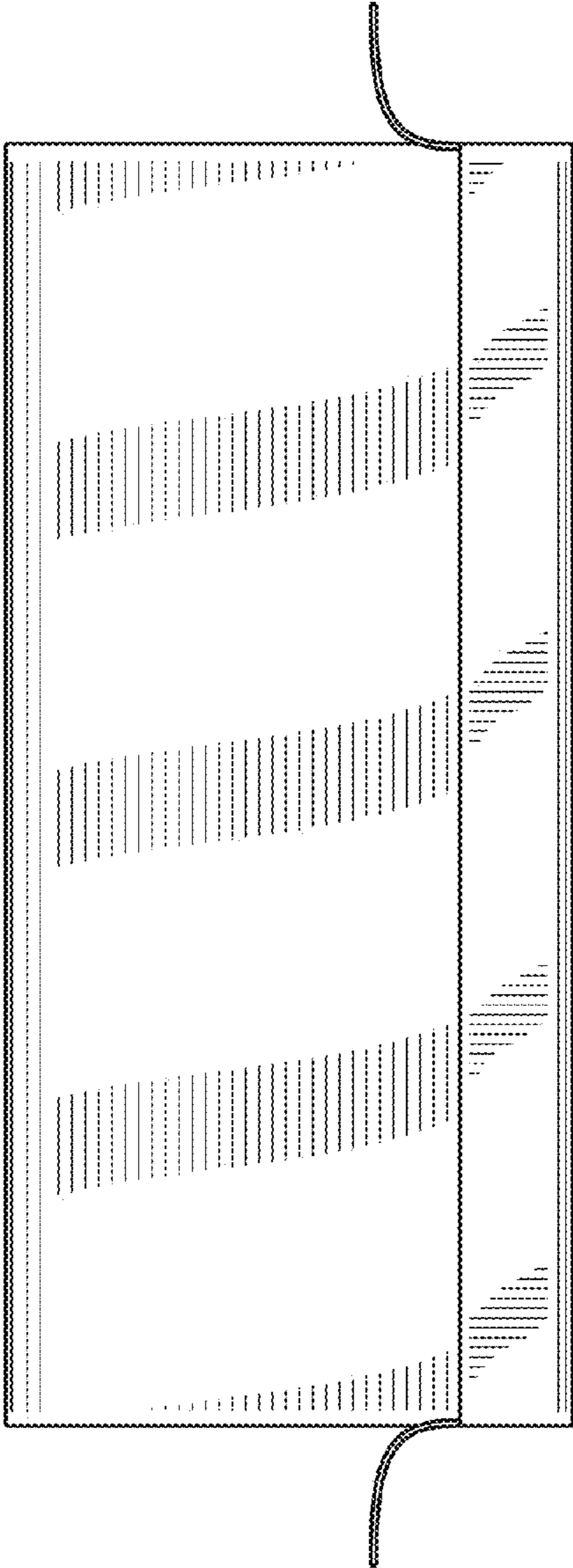


FIG. 3

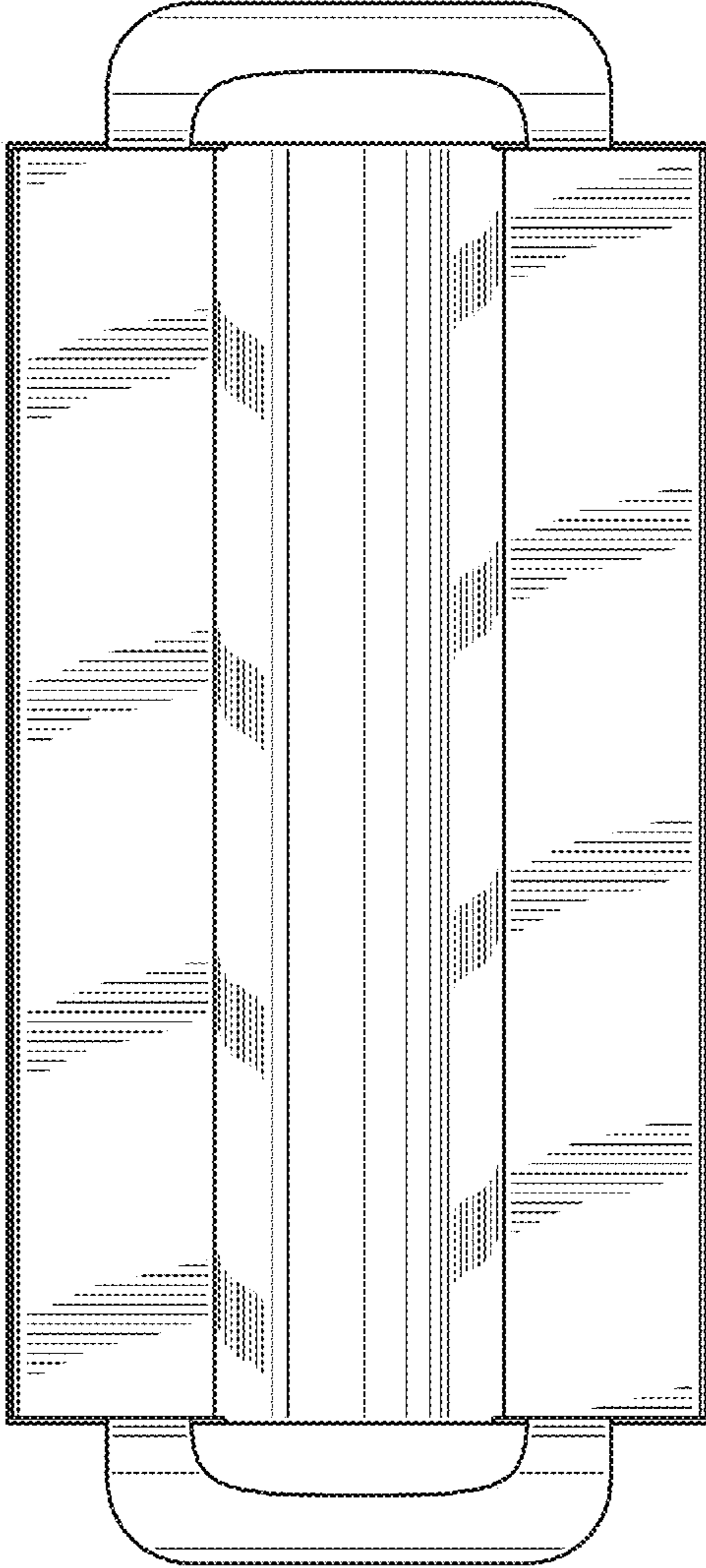


FIG. 5

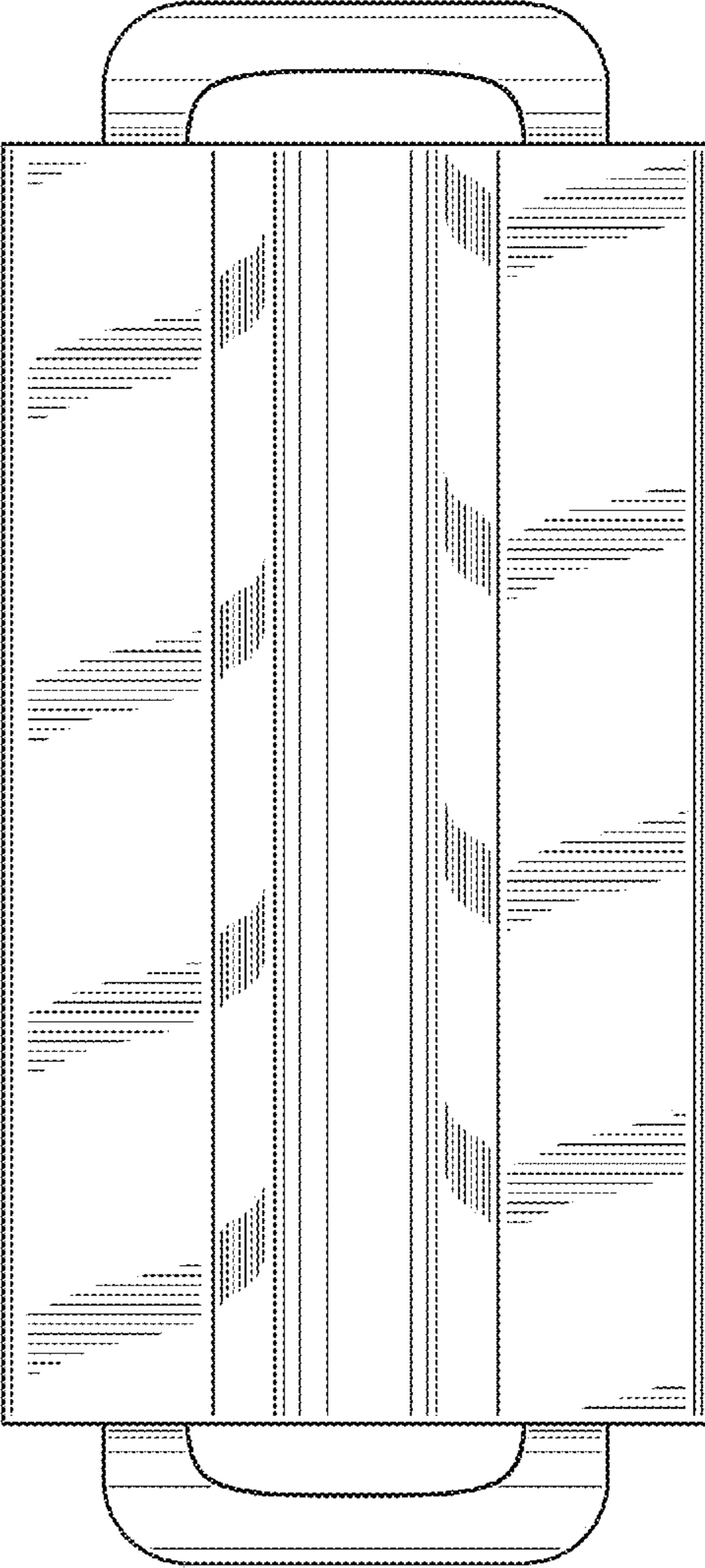


FIG. 6