



US00D707075S

(12) **United States Design Patent**
Fung

(10) **Patent No.:** **US D707,075 S**
(45) **Date of Patent:** **** Jun. 17, 2014**

- (54) **WAFFLE MAKER**
- (71) Applicant: **KF Fung**, Hong Kong (CN)
- (72) Inventor: **KF Fung**, Hong Kong (CN)
- (73) Assignee: **Conair Corporation**, Stamford, CT (US)
- (**) Term: **14 Years**
- (21) Appl. No.: **29/462,587**
- (22) Filed: **Aug. 6, 2013**
- (51) **LOC (10) Cl.** **07-02**
- (52) **U.S. Cl.**
USPC **D7/352; D7/362; D7/363**
- (58) **Field of Classification Search**
USPC D7/306, 323, 328–331, 337, 339, D7/346–347, 350.1–350.4, 352–367, 391, D7/393, 395, 402, 409, 538, 542, 674; 99/324–327, 329 P, 331–332, 337–349, 99/358, 369–376, 380–391, 400–418, 422, 99/425, 444–446, 483; 126/37 R, 261, 126/378.1; 219/385–388, 400, 405, 219/429–442, 450.1, 452.13, 620–624, 725, 219/730–735; 220/23.8, 315, 573.1–573.5, 220/912; 426/233, 438, 441, 523
See application file for complete search history.

(56) **References Cited**
U.S. PATENT DOCUMENTS

D86,863 S	4/1932	Rohne	
D119,282 S	3/1940	Reinecke et al.	
2,358,452 A	9/1944	Garstang	
D253,218 S	* 10/1979	Johnson D7/356
D299,609 S	1/1989	Madl	
D309,844 S	8/1990	Storsberg	
D334,108 S	3/1993	Fisher	
D347,548 S	6/1994	Boehm et al.	

D364,992 S	* 12/1995	Wooderson et al. D7/352
D411,937 S	7/1999	Siegler et al.	
D467,766 S	12/2002	Wanat et al.	
6,555,795 B2	* 4/2003	Glucksman et al. 219/450.1
D509,989 S	9/2005	Steinberg et al.	
D519,776 S	5/2006	Chen	
D543,410 S	* 5/2007	Cohen et al. D7/352
7,285,751 B2	* 10/2007	Li 219/386
D575,576 S	* 8/2008	Chao D7/352
D580,699 S	* 11/2008	Averty D7/352
D586,174 S	* 2/2009	Averty D7/352
D589,294 S	* 3/2009	Averty D7/356
D594,693 S	* 6/2009	Hsu D7/354
D602,732 S	* 10/2009	Busse et al. D7/352
7,752,958 B2	7/2010	Cohen et al.	
D630,883 S	1/2011	Pang et al.	
D643,678 S	8/2011	Lavy et al.	
D657,990 S	4/2012	Kim et al.	
D677,513 S	* 3/2013	Blacken D7/352
D697,364 S	* 1/2014	Melocchi D7/362

* cited by examiner

Primary Examiner — Ricky Pham

(74) *Attorney, Agent, or Firm* — McCormick, Paulding & Huber LLP

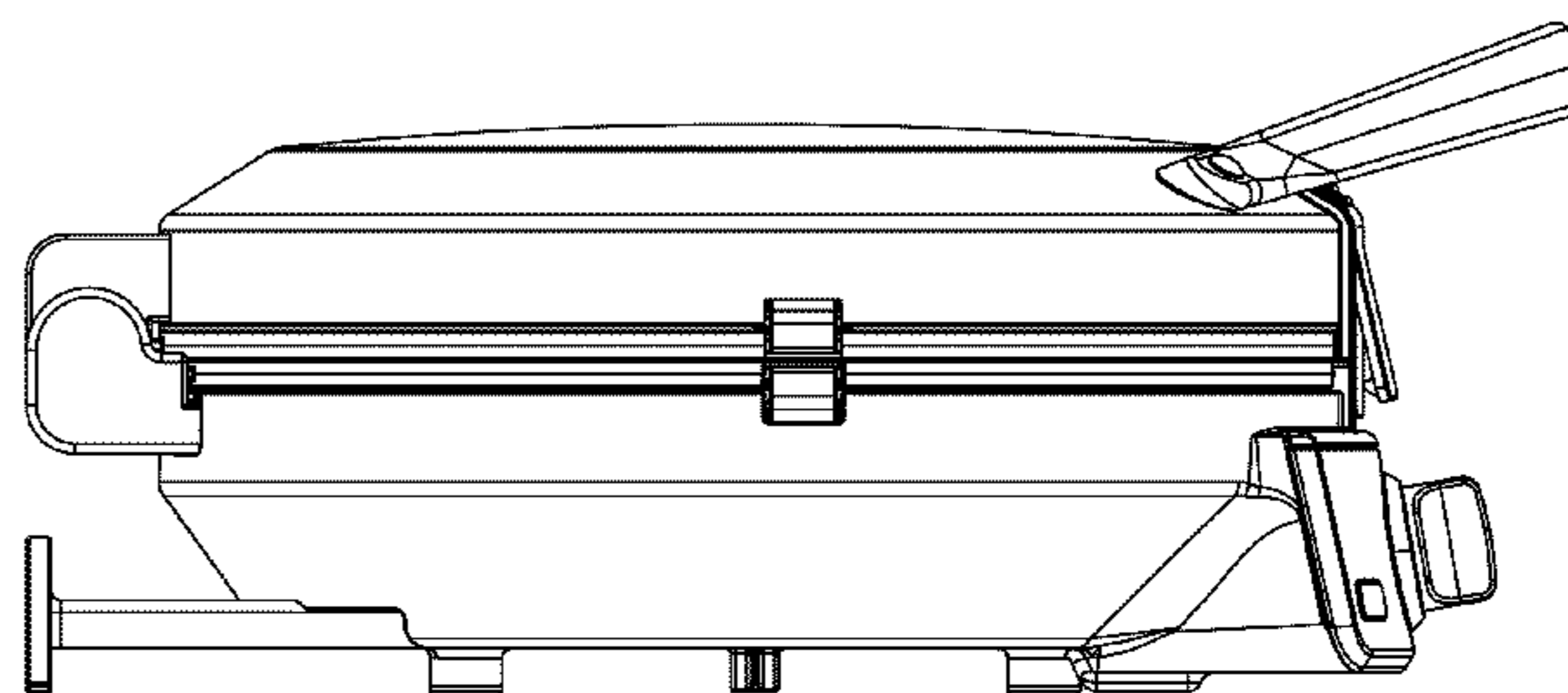
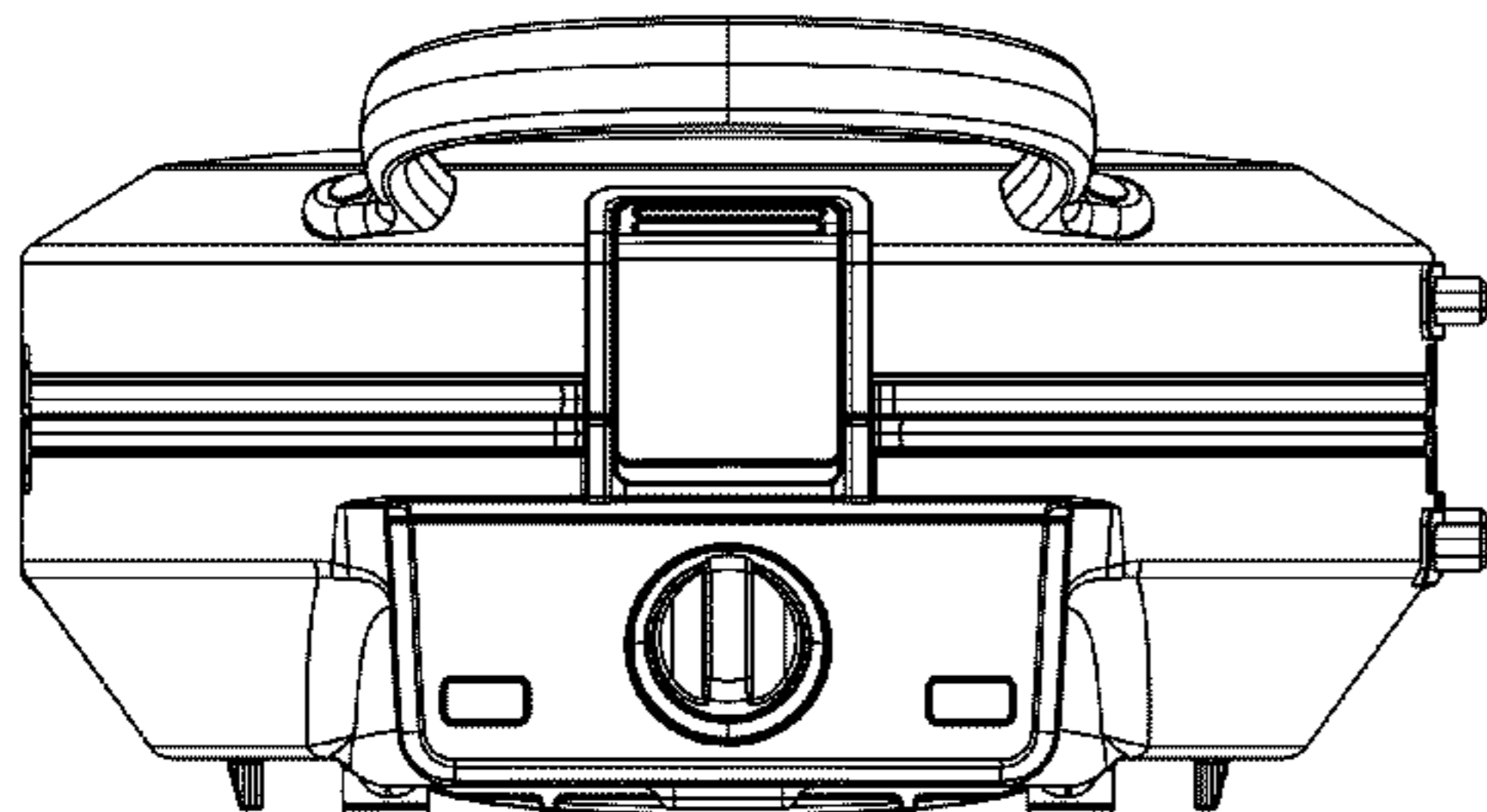
(57) **CLAIM**

The ornamental design for a waffle maker, as shown and described.

DESCRIPTION

FIG. 1 is front elevational view thereof of a waffle maker showing a new design;
 FIG. 2 is a top plan view thereof;
 FIG. 3 is a bottom plan view thereof;
 FIG. 4 is left side elevational view thereof;
 FIG. 5 is a right side elevational view thereof; and,
 FIG. 6 is a rear elevational view thereof.
 The broken lines are for illustrative purposes only and form no part of the claimed design.

1 Claim, 6 Drawing Sheets



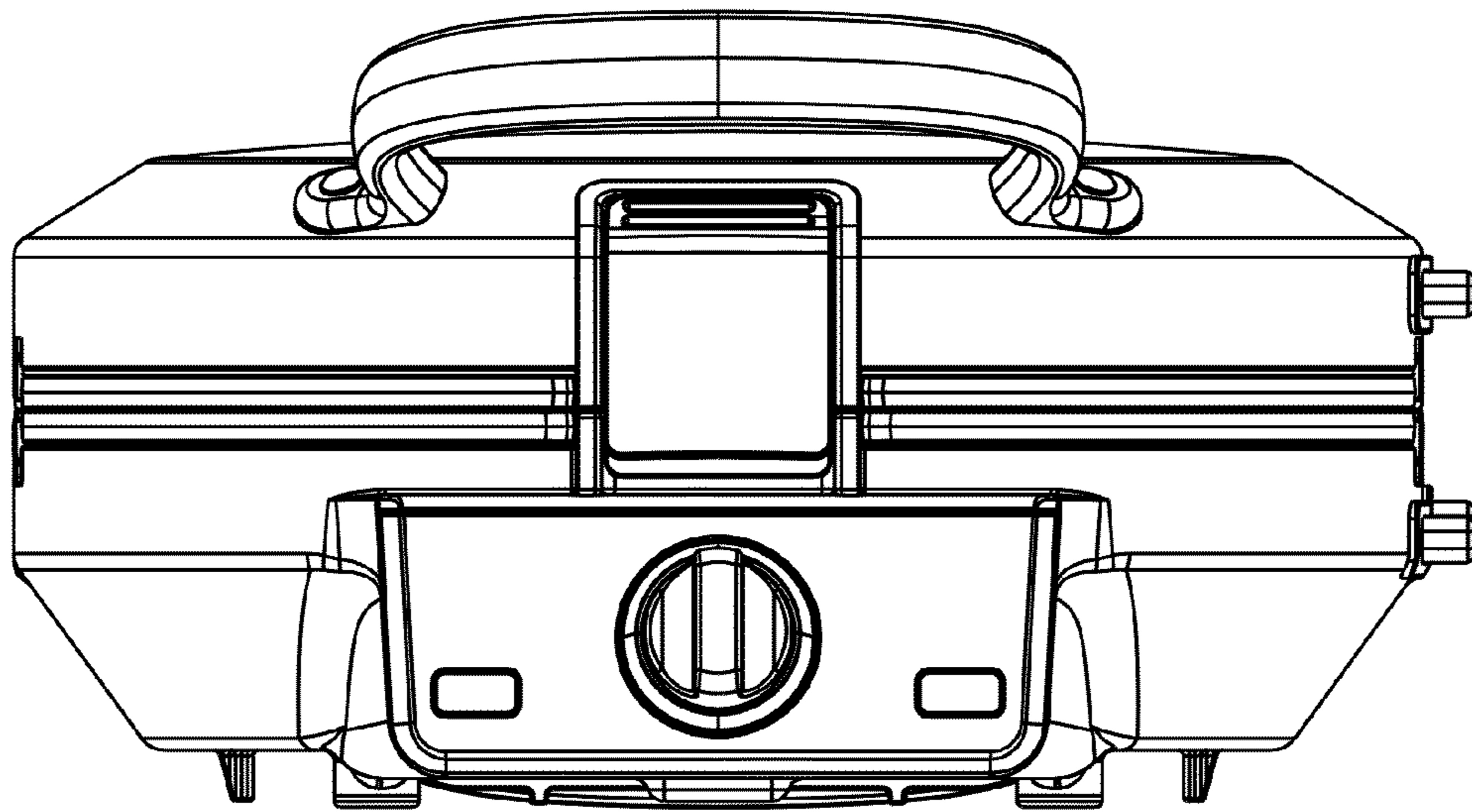


FIG. 1

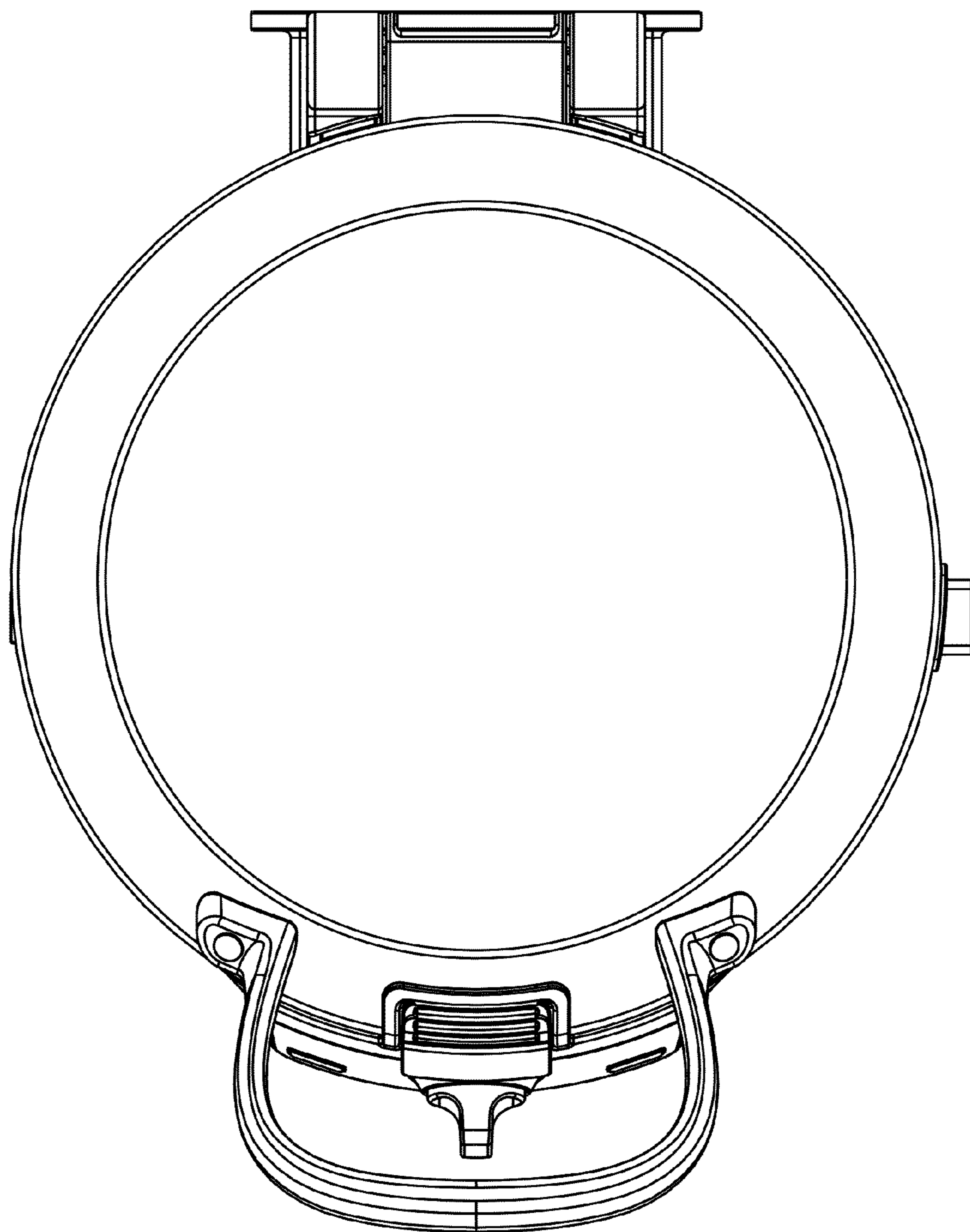


FIG. 2

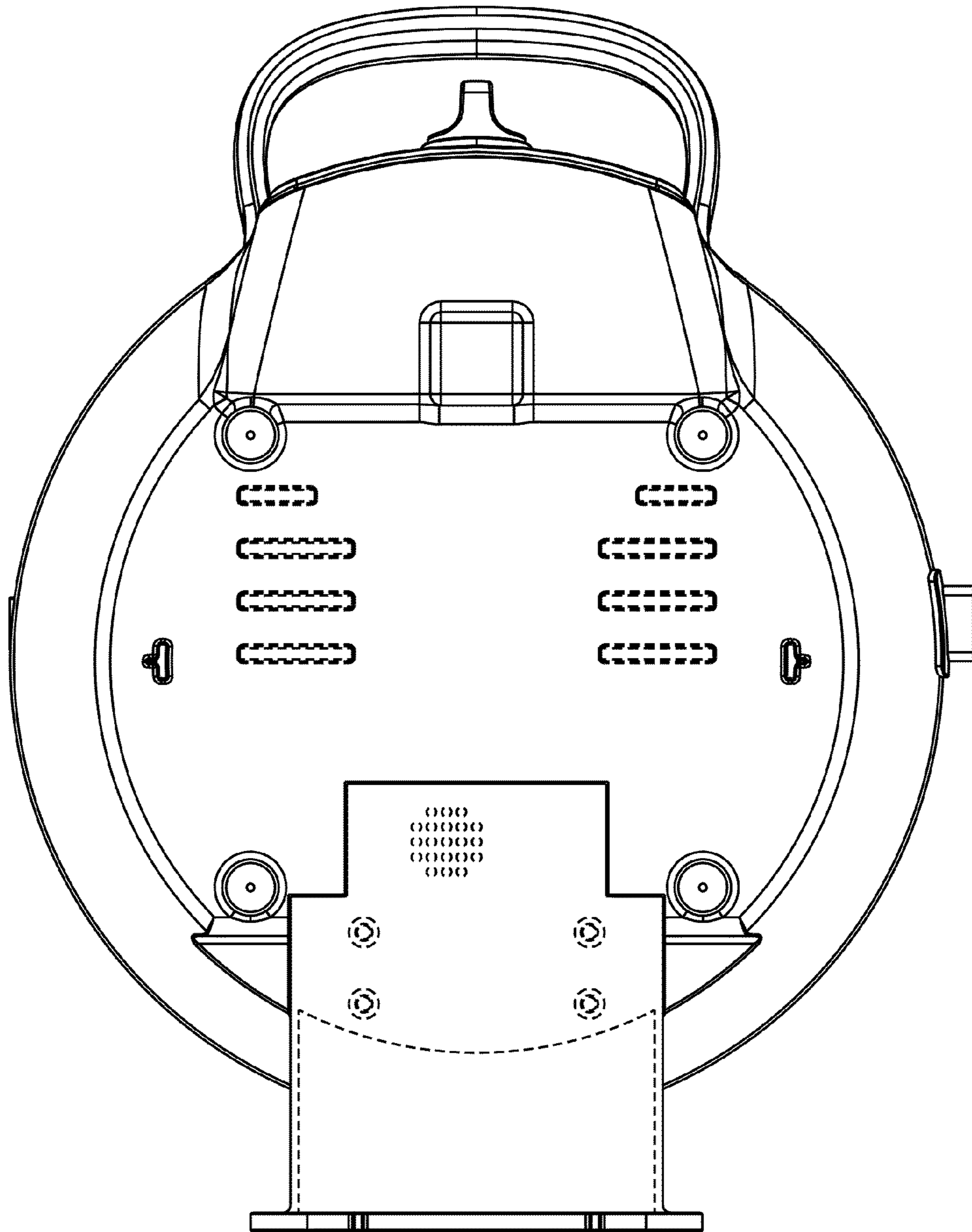


FIG. 3

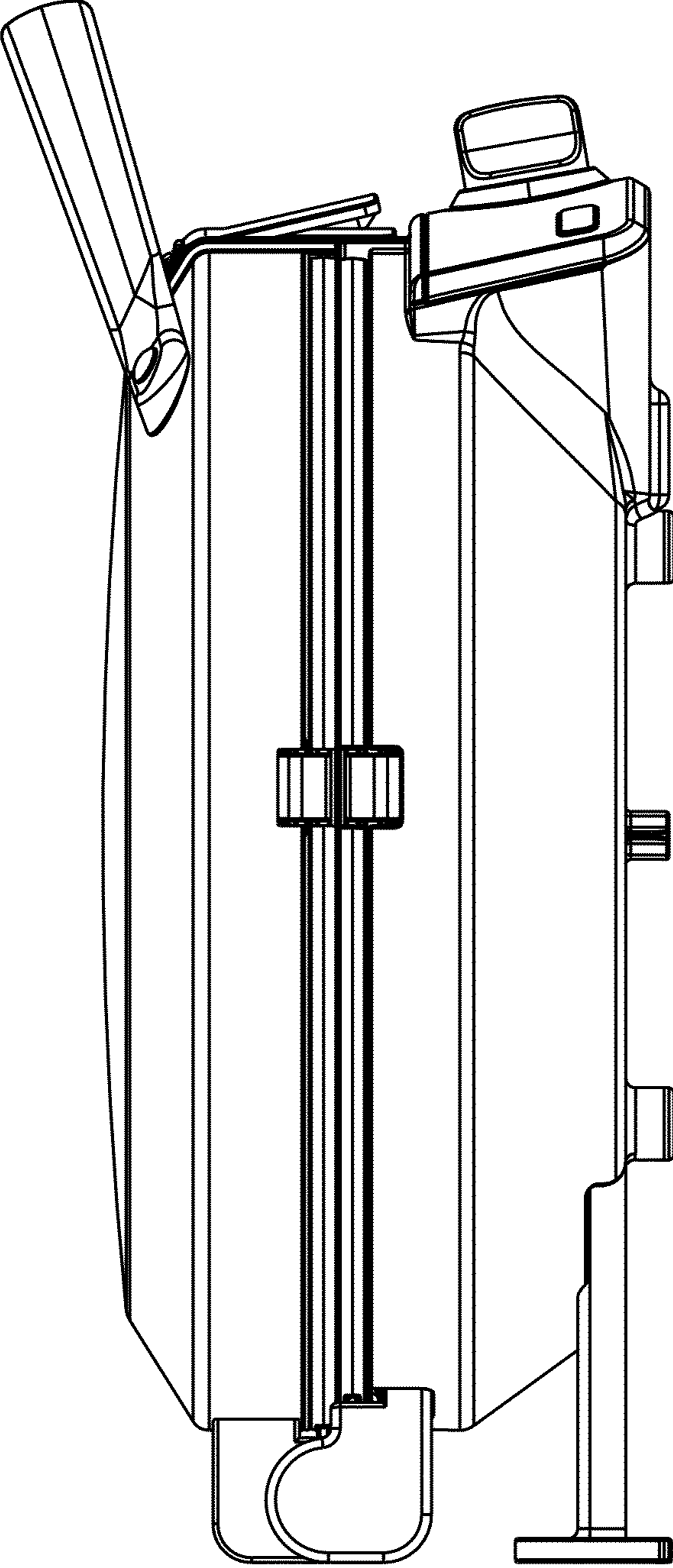


FIG. 4

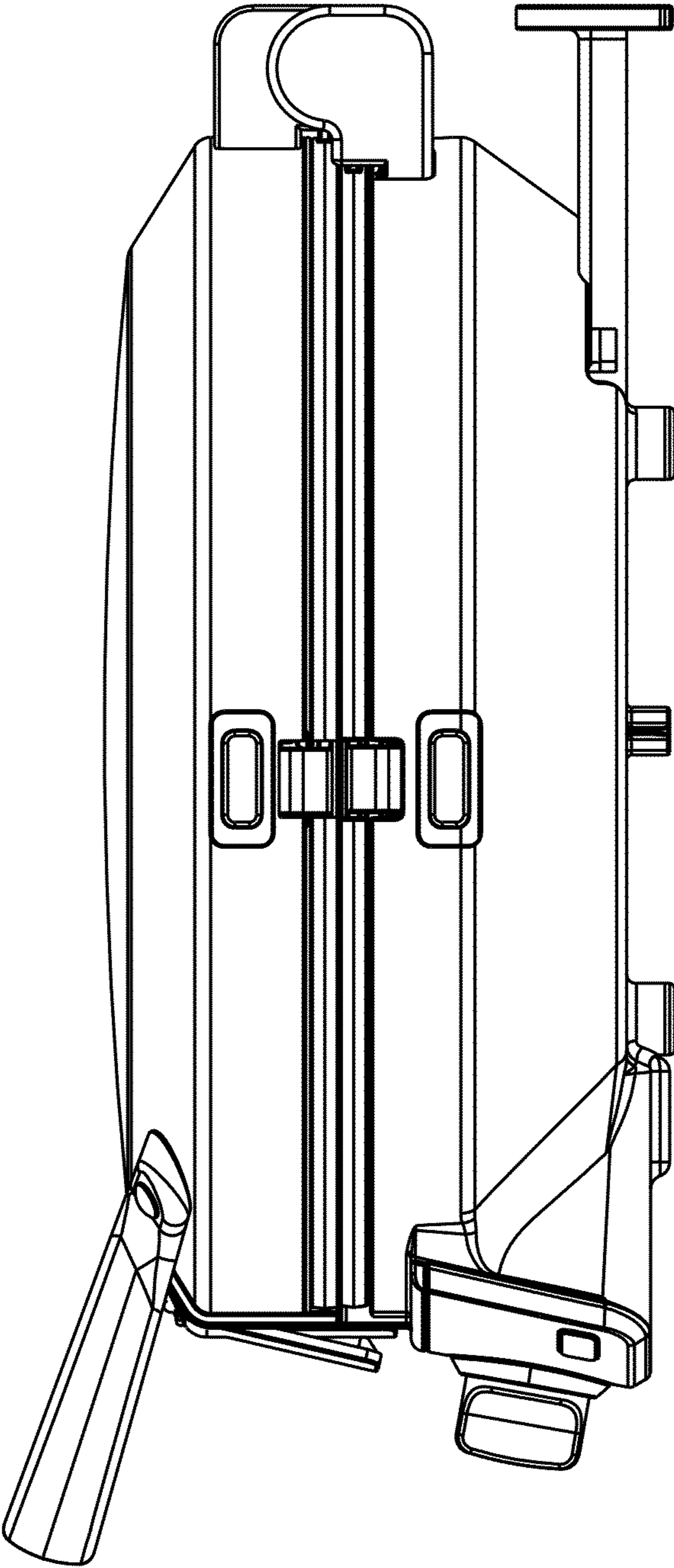


FIG. 5

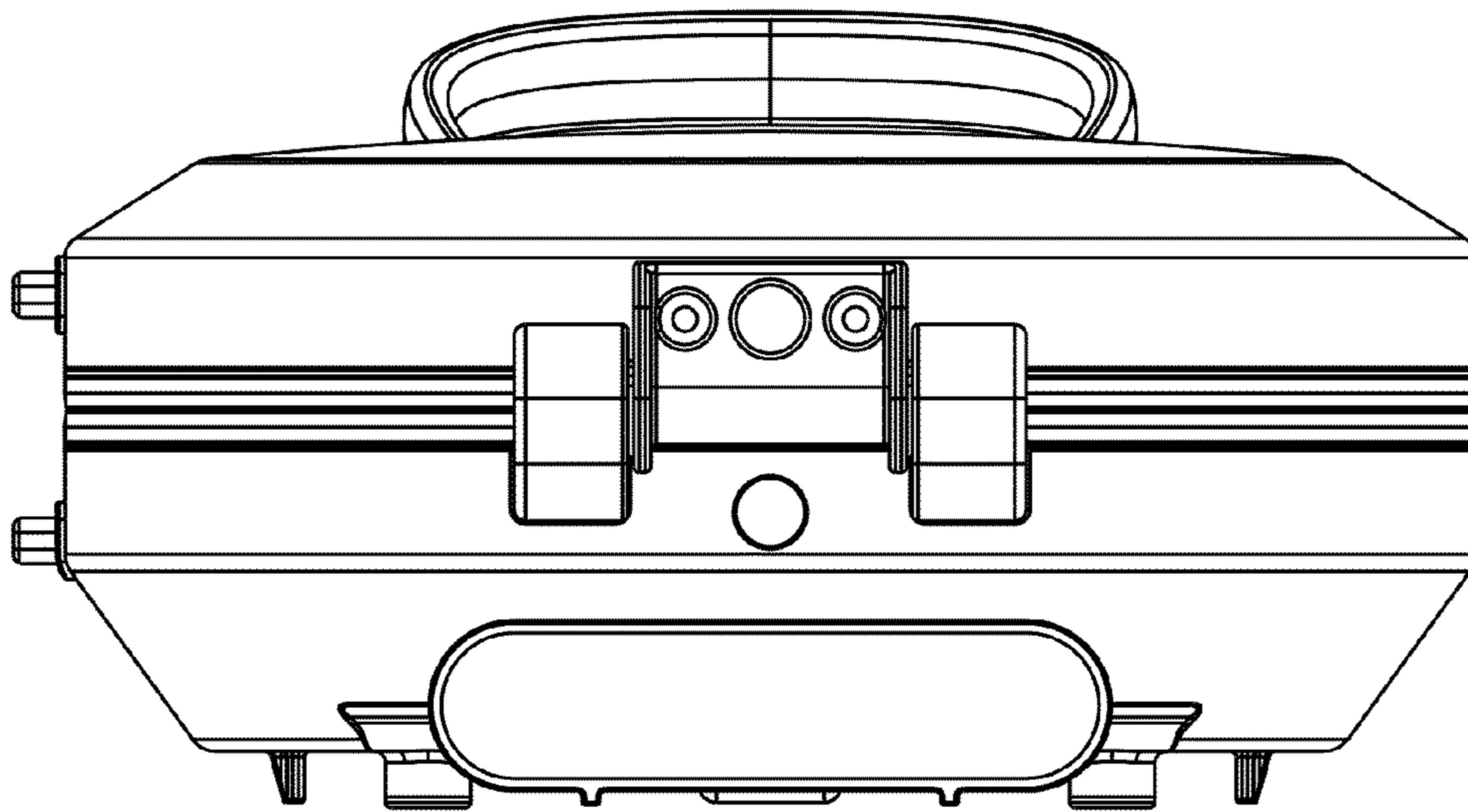


FIG. 6