



US00D707074S

(12) **United States Design Patent**
Shin et al.

(10) **Patent No.:** **US D707,074 S**
(45) **Date of Patent:** **** Jun. 17, 2014**

(54) **MICROWAVE OVEN**

(71) Applicant: **Samsung Electronics Co., Ltd.**,
Gyeonggi-do (KR)

(72) Inventors: **Ji-Young Shin**, Seoul (KR); **Jaejun Kim**, Seoul (KR)

(73) Assignee: **Samsung Electronics Co., Ltd.**,
Suwon-Si (KR)

(**) Term: **14 Years**

(21) Appl. No.: **29/441,625**

(22) Filed: **Jan. 8, 2013**

(30) **Foreign Application Priority Data**

Aug. 28, 2012 (KR) 30-2012-0041319

(51) **LOC (10) Cl.** **07-02**

(52) **U.S. Cl.**
USPC **D7/351**

(58) **Field of Classification Search**
USPC D7/350.1, 350.3, 350.4, 351, 402, 405,
D7/406; 219/756-758; 126/19 M, 21 A,
126/275 E

See application file for complete search history.

(56) **References Cited**

U.S. PATENT DOCUMENTS

D302,927 S * 8/1989 Yoshida D7/351
D303,749 S * 10/1989 Steinkamp D7/351

D439,468 S * 3/2001 Kim D7/351
D442,820 S * 5/2001 Kim D7/351
D530,973 S * 10/2006 Lee et al. D7/351
D531,447 S * 11/2006 Lee et al. D7/350.4
D540,105 S * 4/2007 Lee et al. D7/351
D613,990 S * 4/2010 Baek D7/351
D615,804 S * 5/2010 Baek D7/351
D626,370 S * 11/2010 Baek D7/351
D633,327 S * 3/2011 Kim D7/351
D633,328 S * 3/2011 Shin D7/351
D675,475 S * 2/2013 Yoon D7/351

* cited by examiner

Primary Examiner — Ruth McInroy

(74) *Attorney, Agent, or Firm* — Ladas & Parry LLP

(57) **CLAIM**

We claim the ornamental design for a microwave oven, as shown and described.

DESCRIPTION

FIG. 1 is a top, front and right-side perspective view of a microwave oven showing our new design; FIG. 2 is a front elevational view thereof; FIG. 3 is a rear elevational view thereof; FIG. 4 is a left-side elevational view thereof; FIG. 5 is a right-side elevational view thereof; FIG. 6 is a top plan view thereof; and, FIG. 7 is a bottom plan view thereof.

The details shown in broken lines form no part of the claimed design.

1 Claim, 7 Drawing Sheets

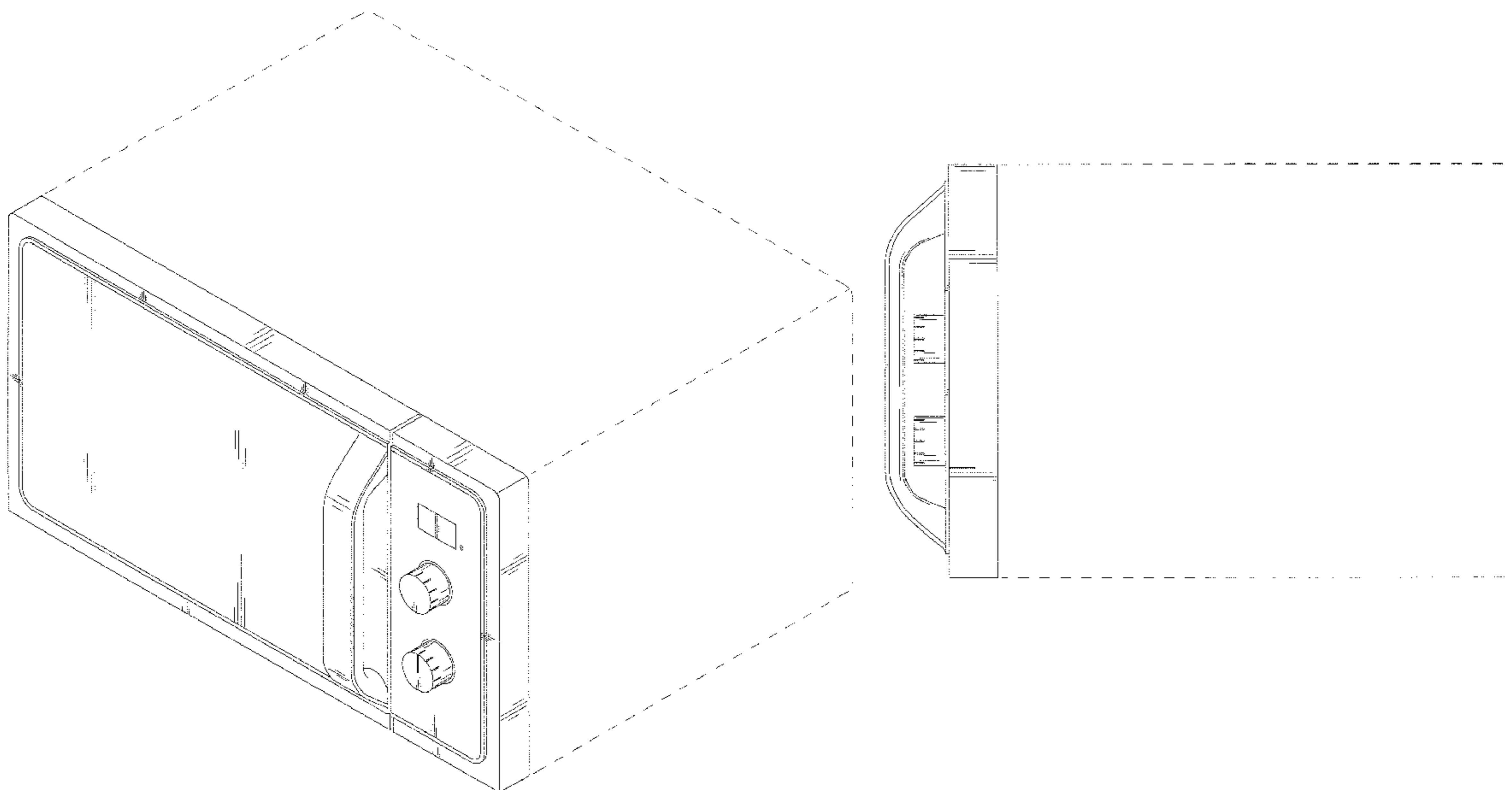


Fig. 1

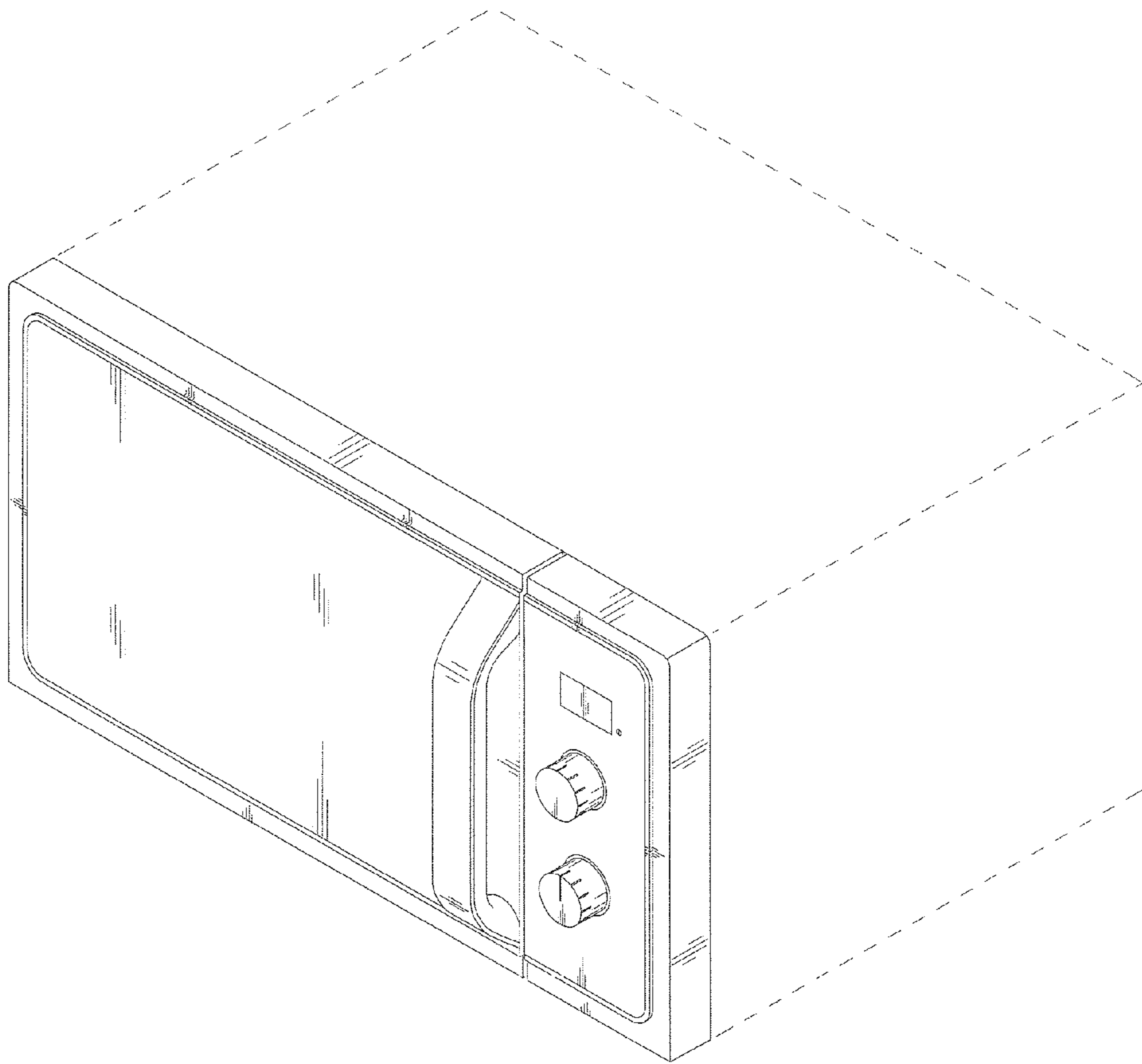


Fig. 2

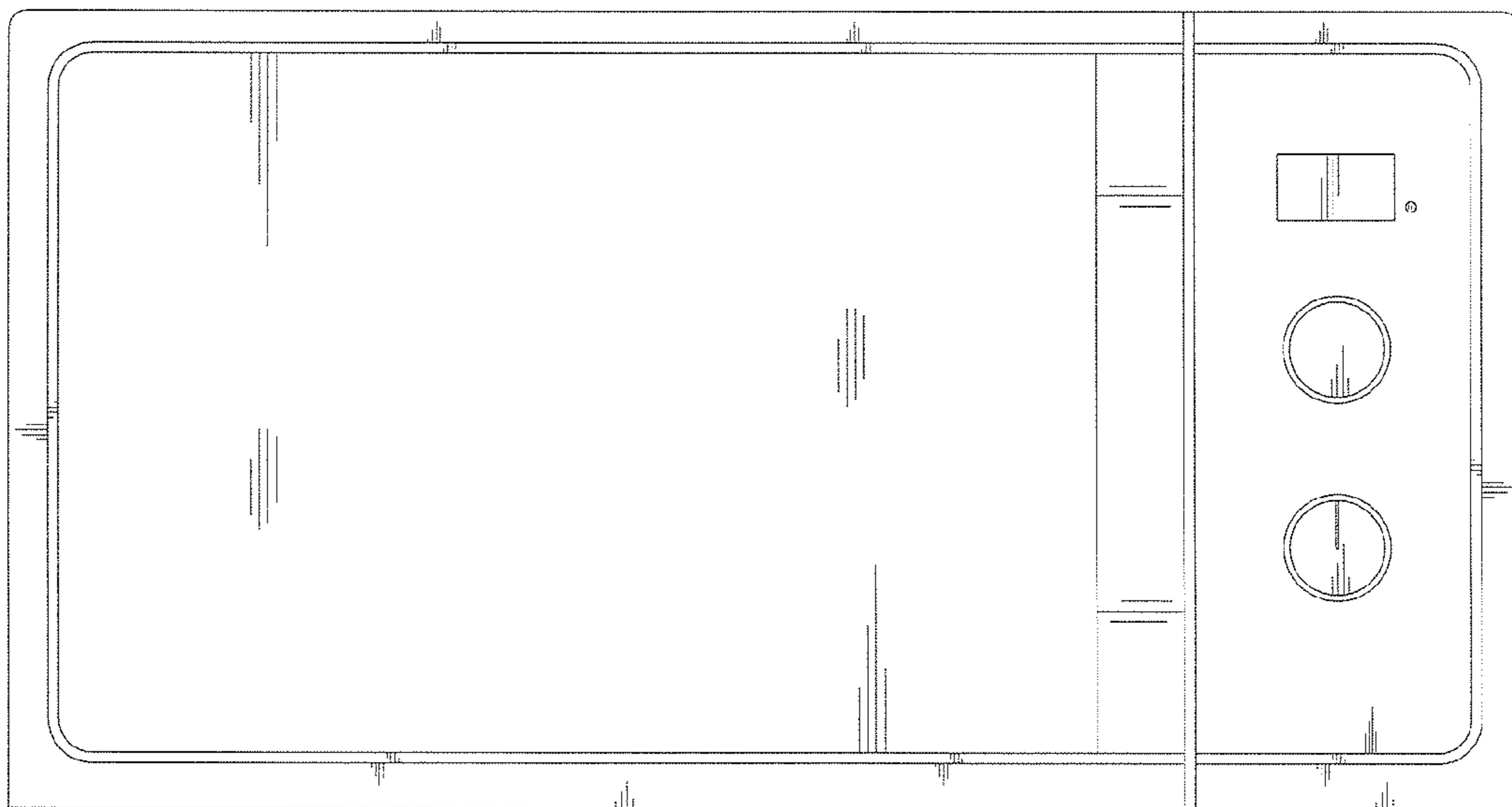


Fig. 3



Fig. 4



Fig. 5

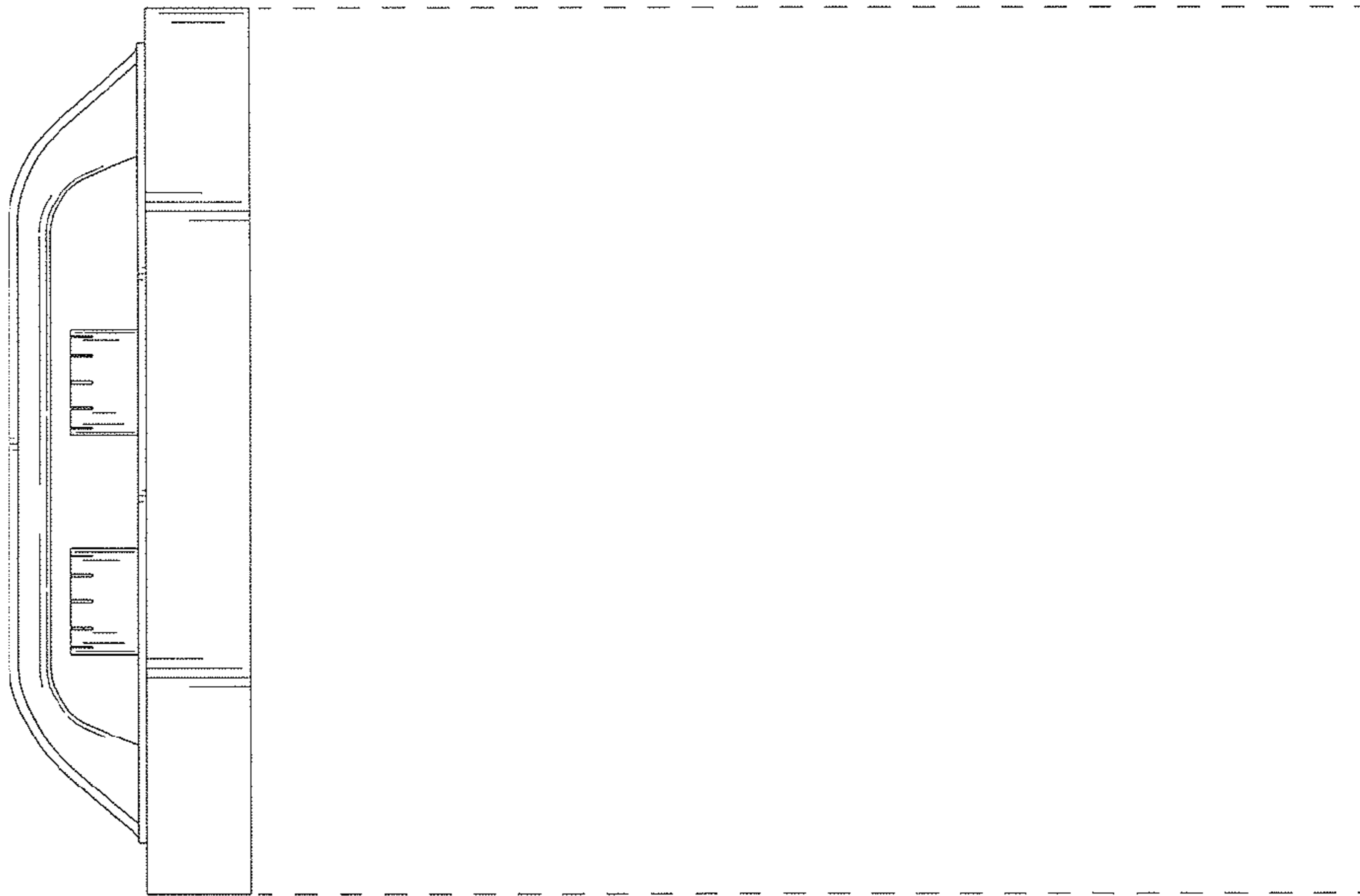


Fig. 6



Fig. 7

