



US00D707072S

(12) **United States Design Patent**
Hill

(10) **Patent No.:** **US D707,072 S**
(45) **Date of Patent:** **** Jun. 17, 2014**

- (54) **COOKTOP WITH GRAPHICALLY-SIMULATED THREE-DIMENSIONAL EFFECT**
- (75) Inventor: **Eric Andrew Hill**, Holland, MI (US)
- (73) Assignee: **Whirlpool Corporation**, Benton Harbor, MI (US)
- (**) Term: **14 Years**
- (21) Appl. No.: **29/430,594**
- (22) Filed: **Aug. 28, 2012**
- (51) **LOC (10) Cl.** **07-02**
- (52) **U.S. Cl.**
USPC **D7/346; D7/407**
- (58) **Field of Classification Search**
USPC D5/7, 53, 56, 60, 54; D7/323, 336, 337, D7/339, 340, 346, 347, 348, 402-409, D7/387; D21/705; D25/109, 48.8; 428/152, 108; 431/10, 326; 501/95.1; 126/39 A, 39 R, 39 J, 211, 214 A, 214 C, 126/215-218, 152 R; 219/460.1, 464.1, 506, 219/621-624, 627, 480, 483, 445.1, 660, 219/665, 448.1; 307/104; 99/339, 340, 342; 432/176; D2/969, 972; D6/617; 15/118; 382/108; 248/176.2; 358/3.09
See application file for complete search history.

- (56) **References Cited**
U.S. PATENT DOCUMENTS
- D88,182 S * 11/1932 Weitz D5/56
- D97,523 S * 11/1935 Gallagher D5/54
- D188,780 S * 9/1960 Kates D7/409
- D294,443 S * 3/1988 Black et al. D6/617
- 4,969,106 A * 11/1990 Vogel et al. 382/108
- 5,523,141 A * 6/1996 Fyler 428/108

- 5,989,013 A * 11/1999 Gray 431/326
- D433,875 S * 11/2000 Schroeter D7/409
- 6,198,545 B1 * 3/2001 Ostromoukhov et al. ... 358/3.09
- D515,824 S * 2/2006 Leisch et al. D5/53
- D525,437 S * 7/2006 Leisch et al. D5/53
- D525,483 S * 7/2006 Schutts D7/407
- D539,041 S * 3/2007 Berryman D5/63
- D546,010 S * 7/2007 Caruso et al. D32/40
- D553,901 S * 10/2007 Grey et al. D7/346
- D568,683 S * 5/2008 Glynn D7/407
- 7,984,885 B2 * 7/2011 Lion et al. 248/176.2
- D644,443 S * 9/2011 Mignot et al. D5/58
- D649,208 S * 11/2011 Crawley et al. D21/705
- D649,763 S * 12/2011 Chang D2/972
- D655,921 S * 3/2012 Snyder D5/58
- D663,519 S * 7/2012 Grangaard D2/969
- 2006/0123573 A1 * 6/2006 Rivera et al. 15/118

* cited by examiner

Primary Examiner — Caron D Veynar
Assistant Examiner — Martie K Holtje

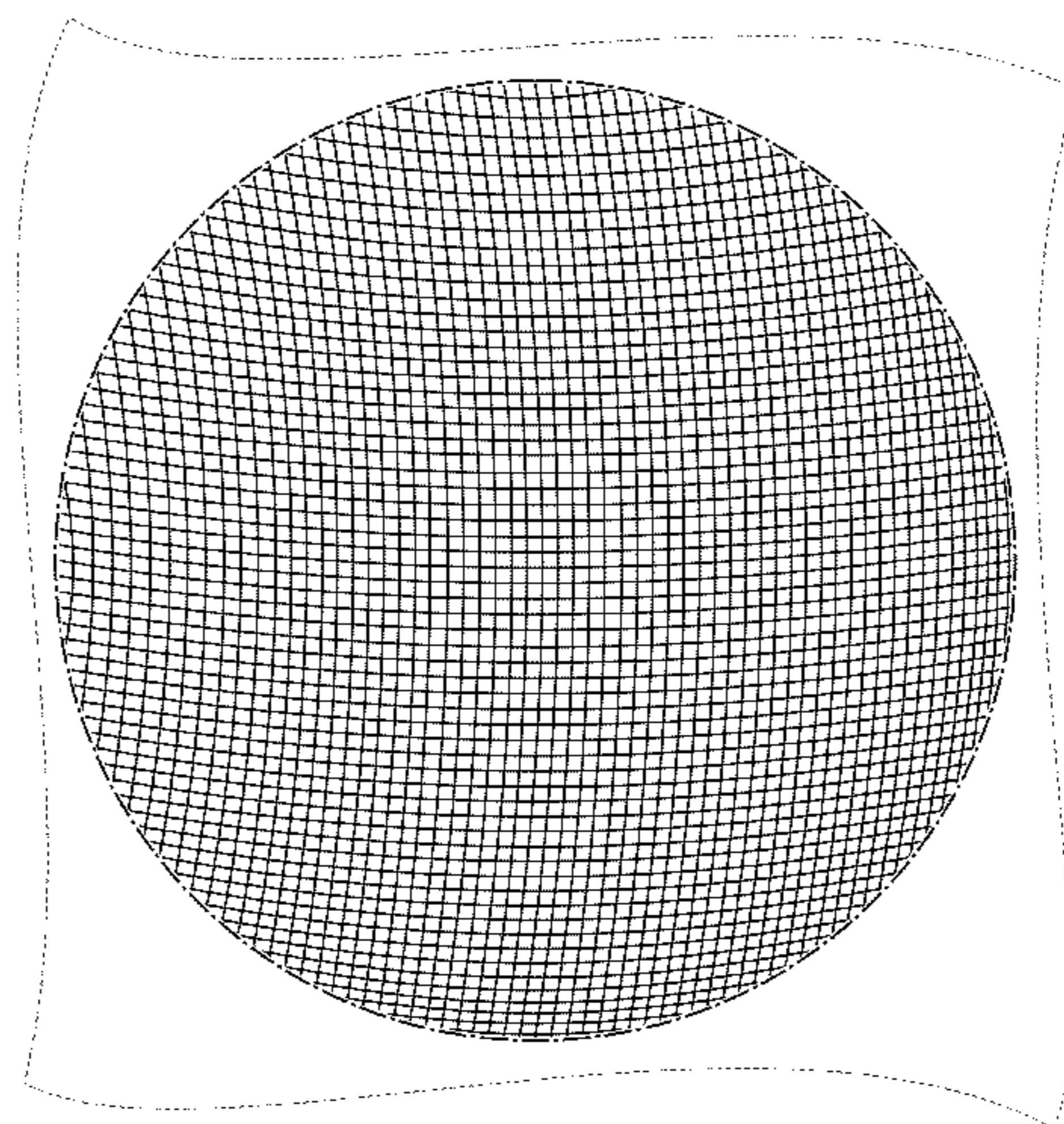
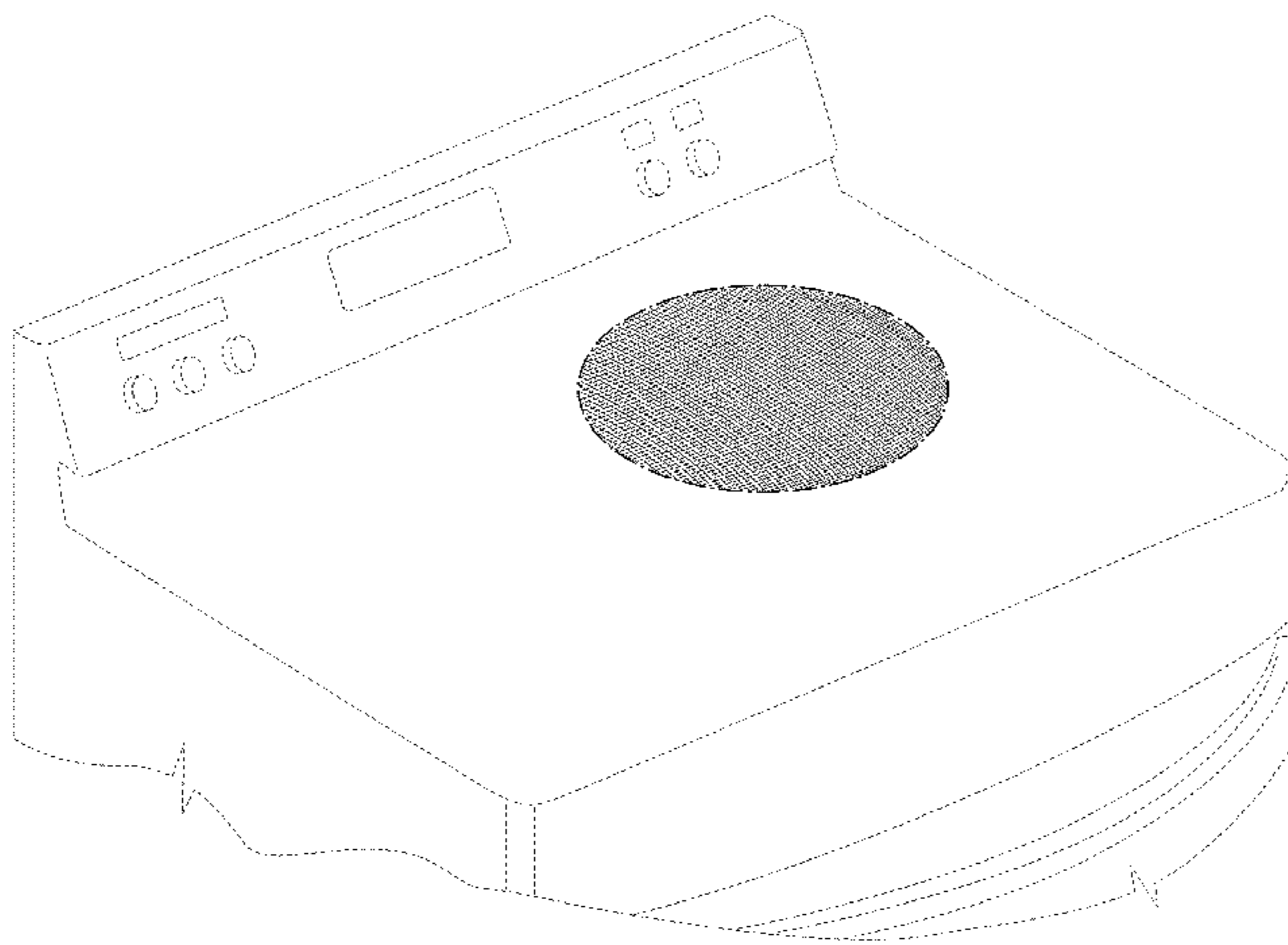
(57) **CLAIM**
I claim the ornamental design for cooktop with graphically-simulated three-dimensional effect, as shown and described.

DESCRIPTION

FIG. 1 is a top, left perspective view of a cooktop with graphically-simulated three-dimensional effect showing my new design; and,
FIG. 2 is a top plan view thereof.
The broken lines depicting the top portions of the cooking oven appliance in the views have been shown for the purpose of illustrating environmental features that form no part of the claimed design.

The broken lines comprised of dots and dashes that encircle the burner element represent the boundary between claimed and unclaimed subject matter.

1 Claim, 2 Drawing Sheets



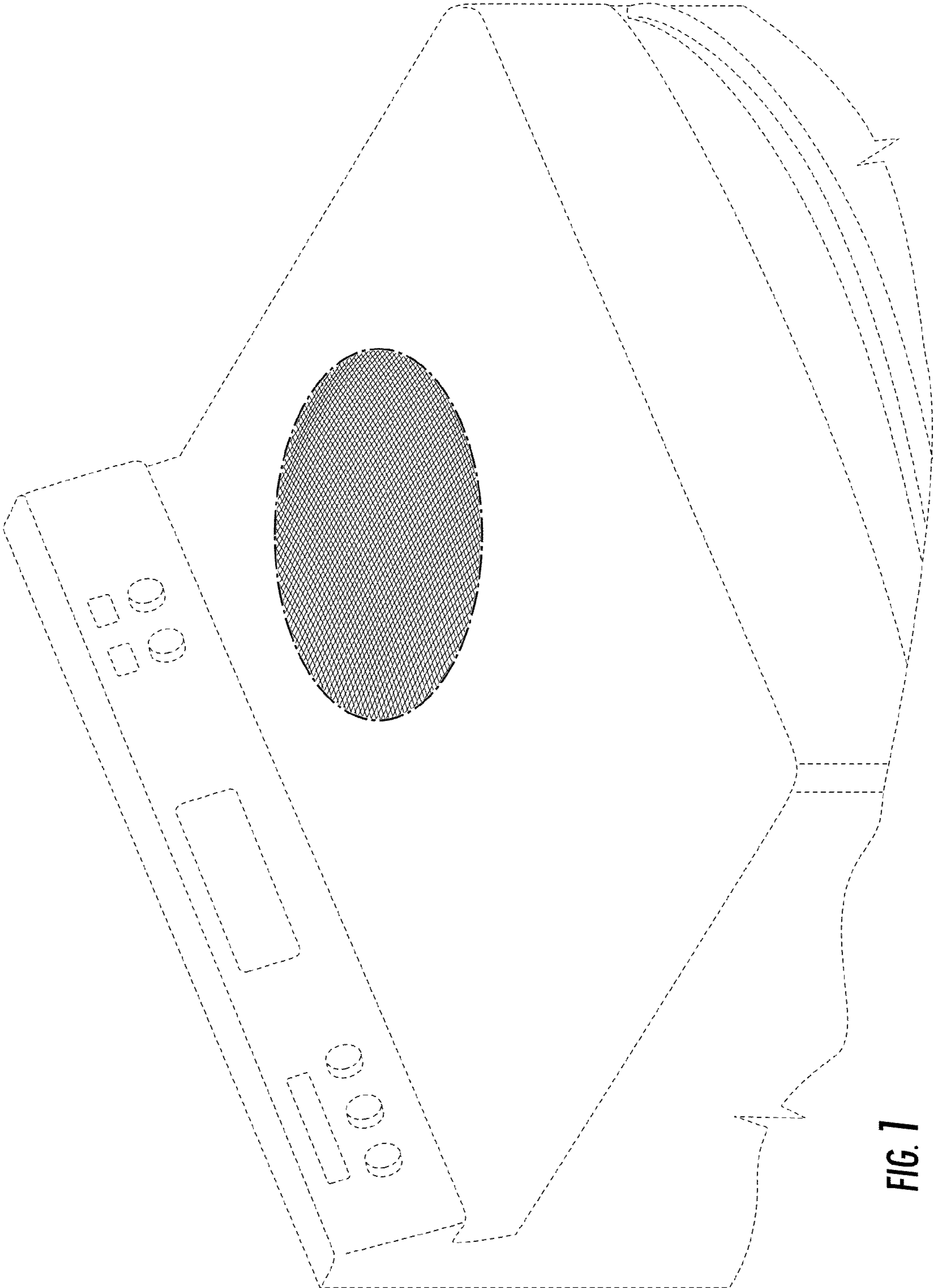


FIG. 7

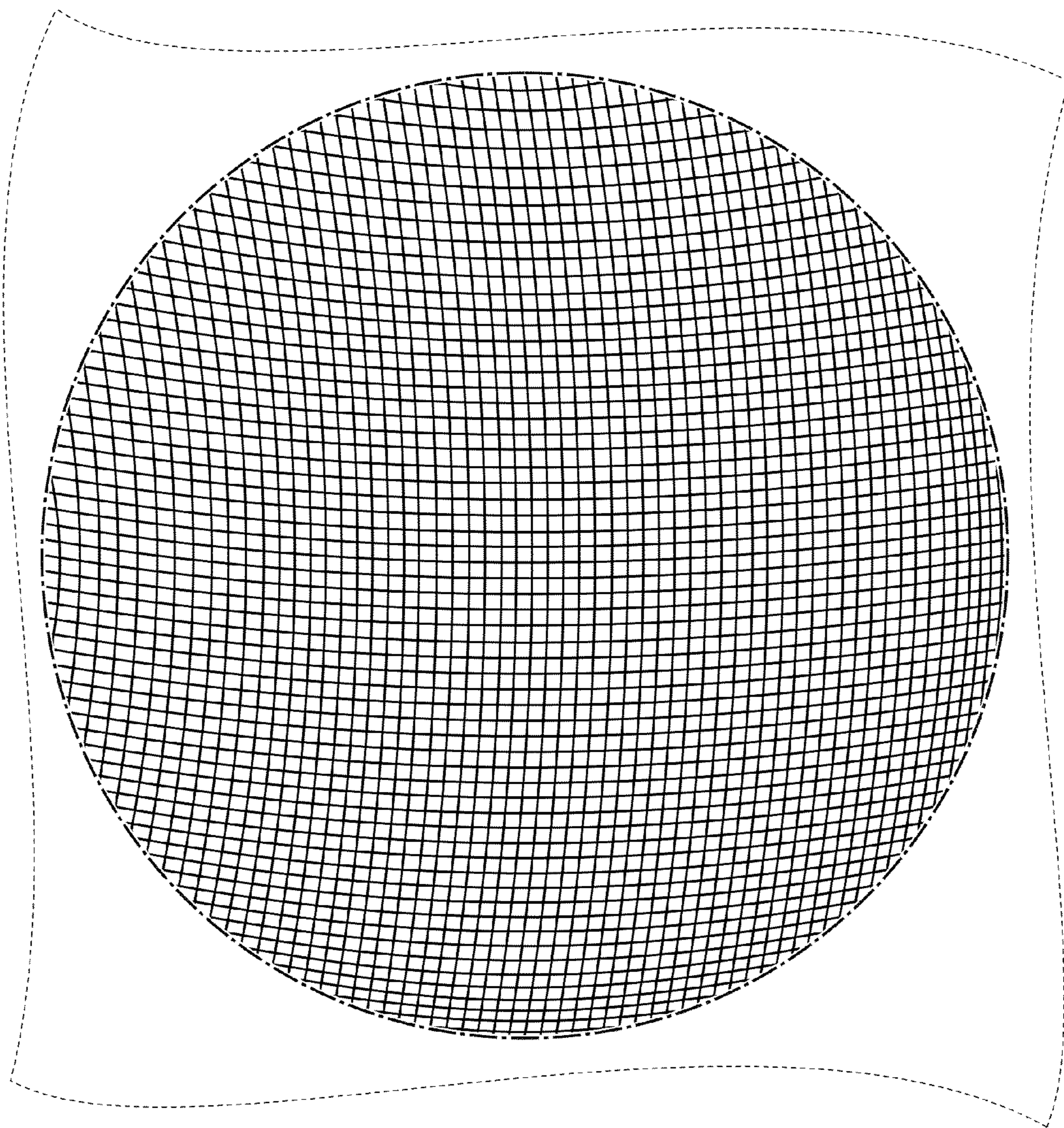


FIG. 2