

US00D707071S

(12) **United States Design Patent**
Gort-Barten

(10) **Patent No.:** **US D707,071 S**
(45) **Date of Patent:** **** Jun. 17, 2014**

(54) **TOASTER**

(71) Applicant: **Alexander Gort-Barten**, West Sussex
(GB)

(72) Inventor: **Alexander Gort-Barten**, West Sussex
(GB)

(**) Term: **14 Years**

(21) Appl. No.: **29/437,882**

(22) Filed: **Nov. 21, 2012**

(30) **Foreign Application Priority Data**

May 23, 2012 (EM) 002046219

(51) **LOC (10) Cl.** **07-02**

(52) **U.S. Cl.**
USPC **D7/330**

(58) **Field of Classification Search**
USPC D7/323, 329–331, 337, 339, 346–347,
D7/350.1–350.4, 352–367, 391, 393, 395,
D7/402, 409, 538, 542, 674; 99/324–327,
99/331–332, 337–349, 358, 369–376,
99/380–389, 400–418, 422, 425, 444–446,
99/483; 126/37 R, 261, 378.1;
219/385–388, 400, 405, 429–442,
219/450.1, 452.13, 620–624, 725,
219/730–735; 220/23.8, 315, 573.1–573.5,
220/912; 426/233, 438, 441, 523

See application file for complete search history.

(56) **References Cited**

U.S. PATENT DOCUMENTS

D345,074 S * 3/1994 Myers et al. D7/330
D388,276 S * 12/1997 Cruz D7/330
D394,983 S * 6/1998 Garrett et al. D7/330
D413,224 S * 8/1999 Cruz et al. D7/330

D422,832 S * 4/2000 Gaynor et al. D7/330
D544,745 S * 6/2007 De' Longhi D7/330
D554,931 S * 11/2007 Genslak et al. D7/330
D557,061 S * 12/2007 Genslak et al. D7/330
D598,697 S * 8/2009 De Pra' D7/330
D615,343 S * 5/2010 Bock et al. D7/330
D628,429 S * 12/2010 Ye D7/330
D640,894 S * 7/2011 Duncan et al. D7/330
D644,473 S * 9/2011 Pantaleo et al. D7/330

* cited by examiner

Primary Examiner — Ricky Pham

(74) *Attorney, Agent, or Firm* — Stites & Harbison, PLLC;
David W. Nagel, Jr.

(57) **CLAIM**

The ornamental design for a toaster, as shown and described.

DESCRIPTION

FIG. 1 is a perspective view of a toaster incorporating the design of the present invention, showing the front, right side, and top surfaces of the toaster;

FIG. 2 is another perspective view of the toaster of FIG. 1, showing the rear, left side, and top surfaces of the toaster;

FIG. 3 is a right side view of the toaster of FIG. 1;

FIG. 4 is a perspective view of another toaster incorporating the design of the present invention, showing the front, right side, and top surfaces of the toaster;

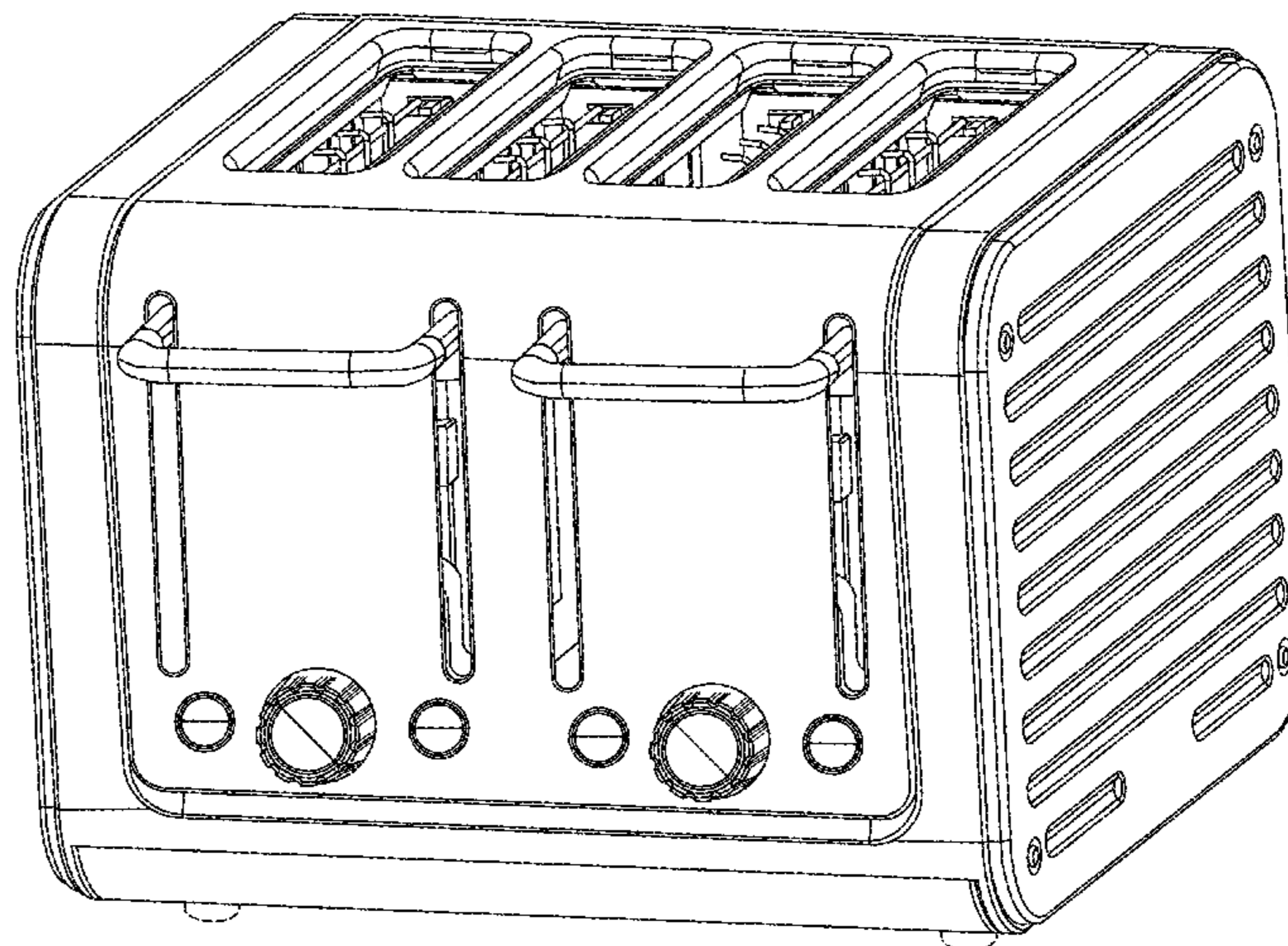
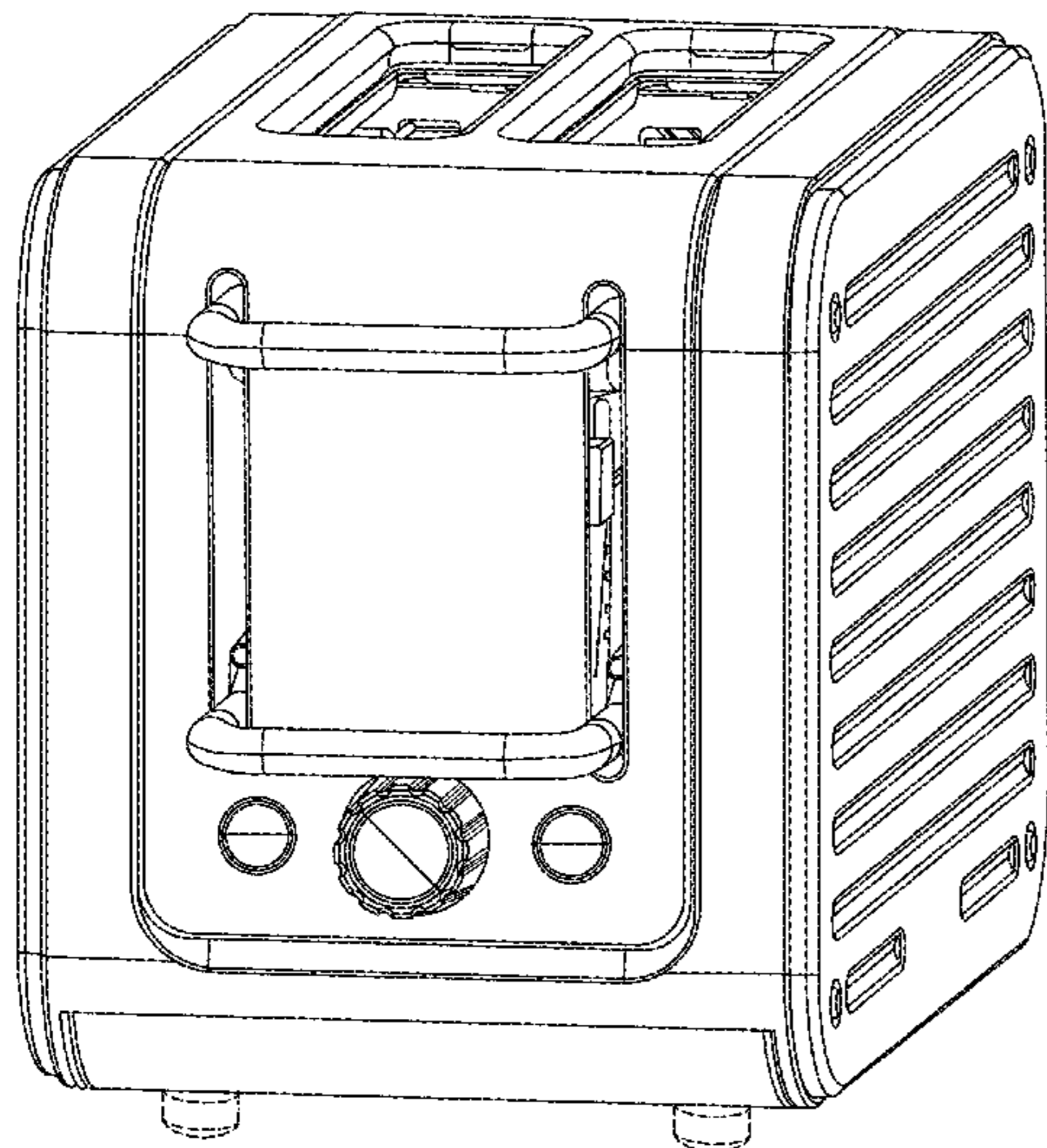
FIG. 5 is another perspective view of the toaster of FIG. 4, showing the rear, left side, and top surfaces of the toaster; and, FIG. 6 is a right side view of the toaster of FIG. 4.

The bottom of the toaster of FIG. 1 is flat (with the exception of the feet shown in FIGS. 1-3) and unornamented.

The bottom of the toaster of FIG. 4 is flat (with the exception of the feet shown in FIGS. 4-6) and unornamented.

The broken lines in the drawings that illustrate the feet are included for the purpose of illustrating environmental structure and form no part of the claimed design.

1 Claim, 6 Drawing Sheets



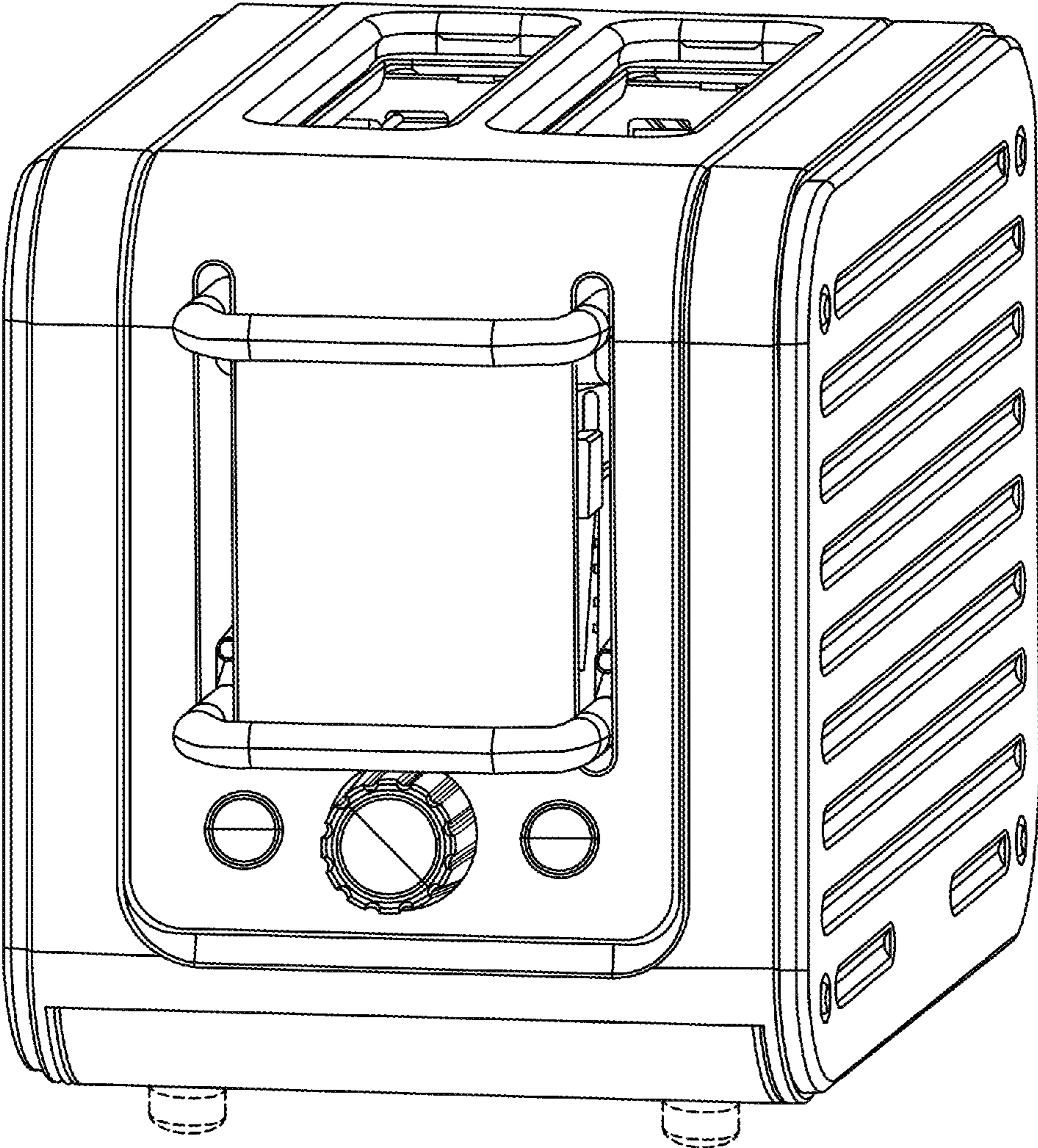


FIG. 1

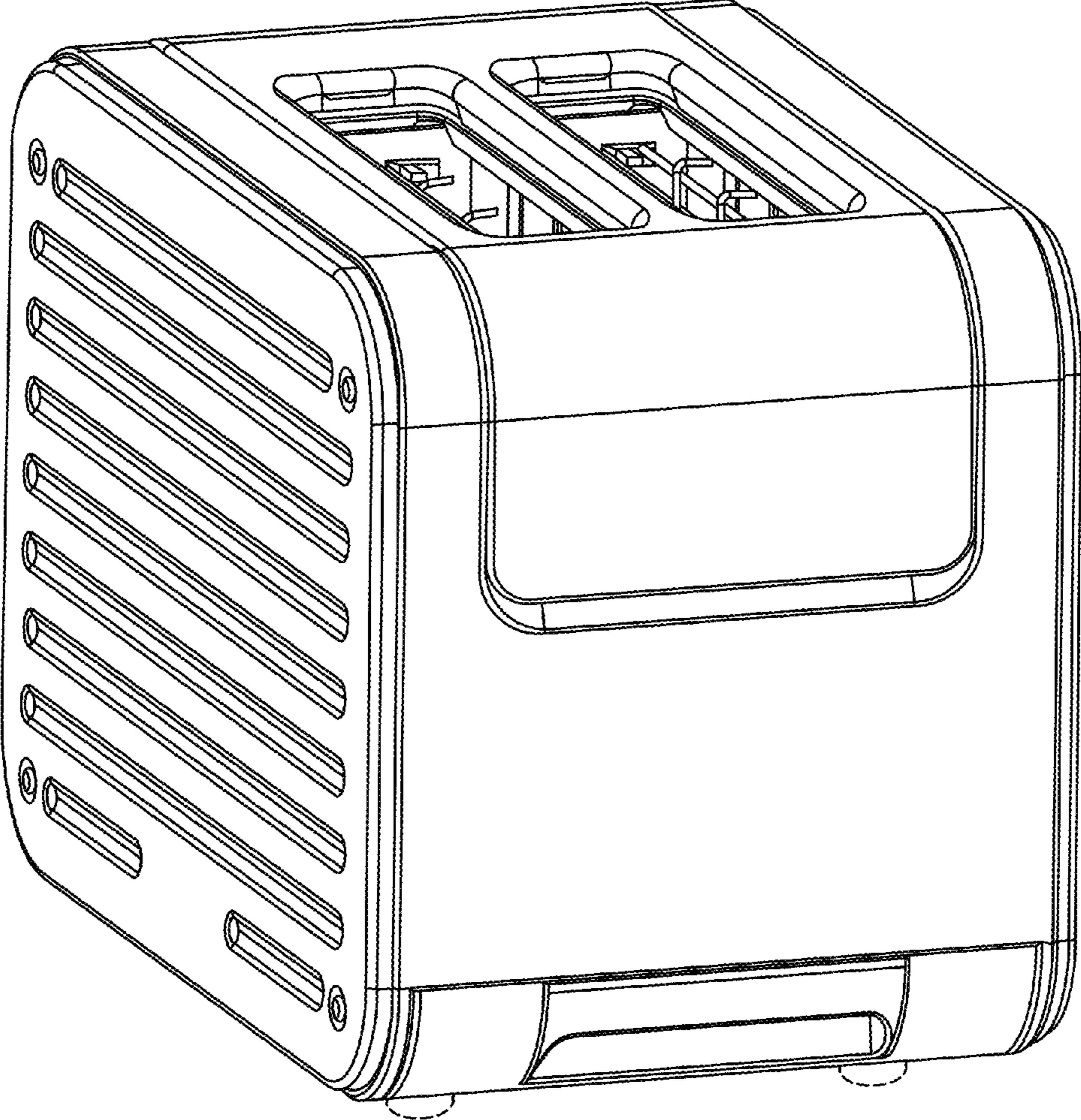


FIG. 2

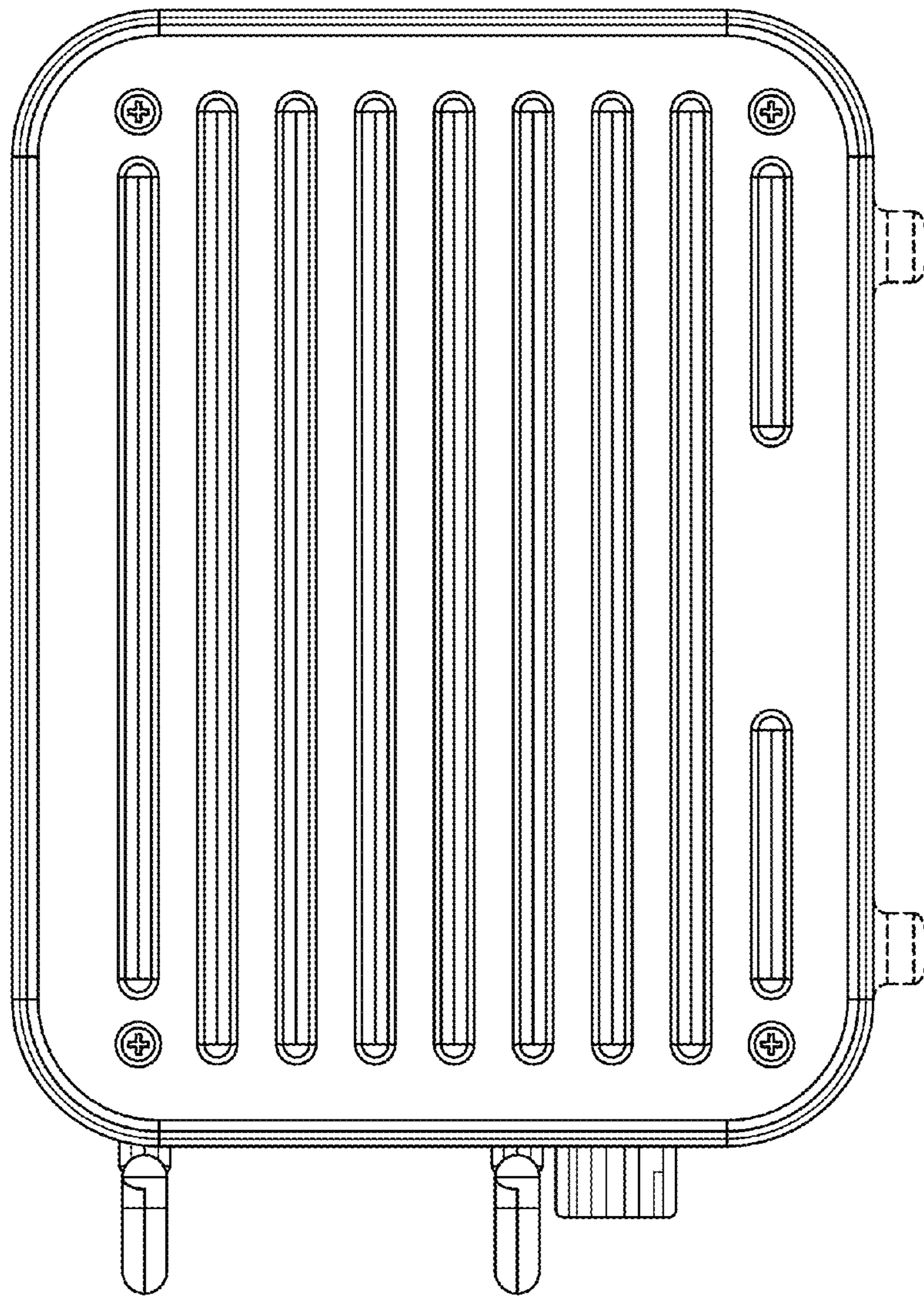


FIG. 3

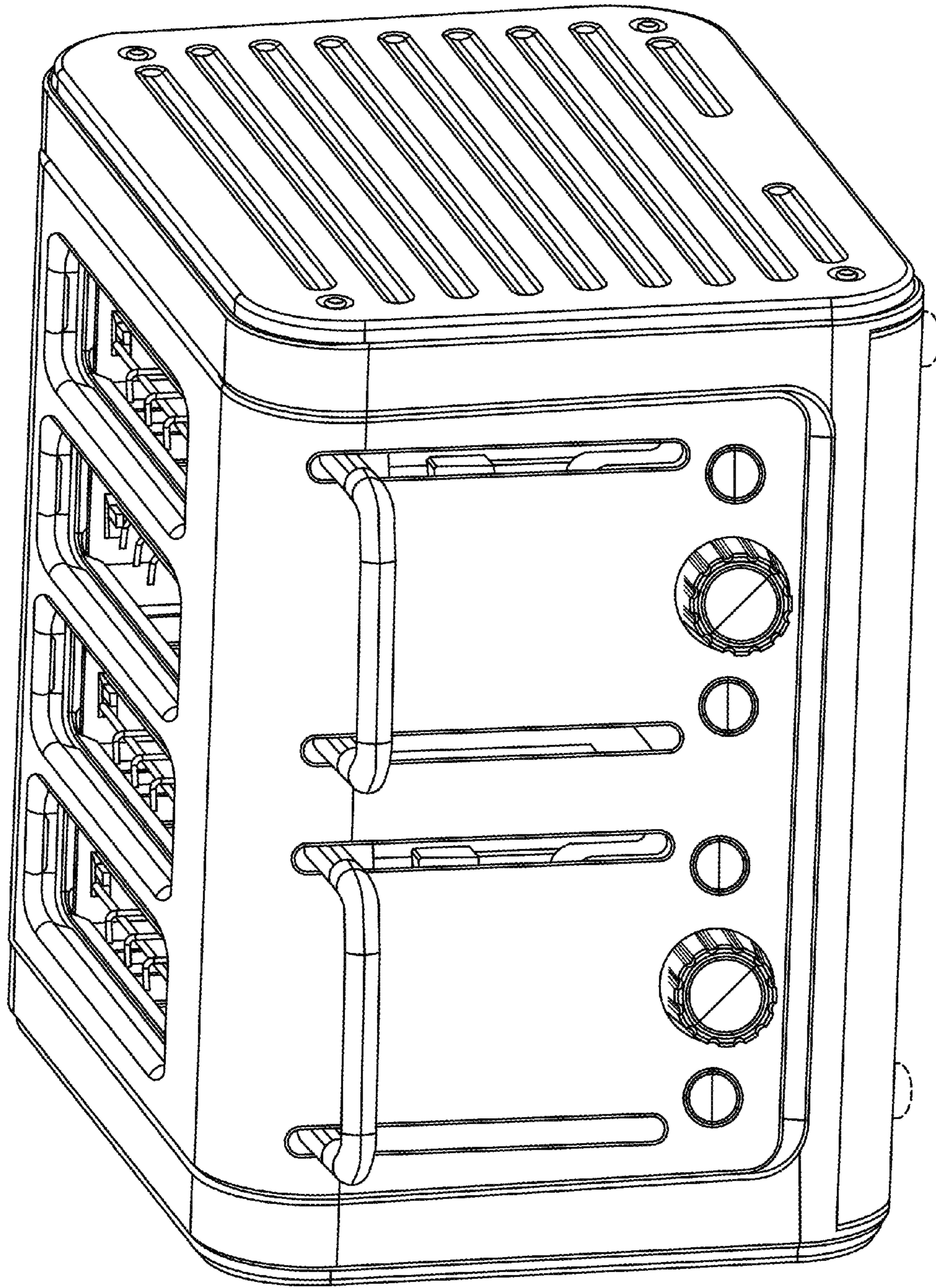


FIG. 4

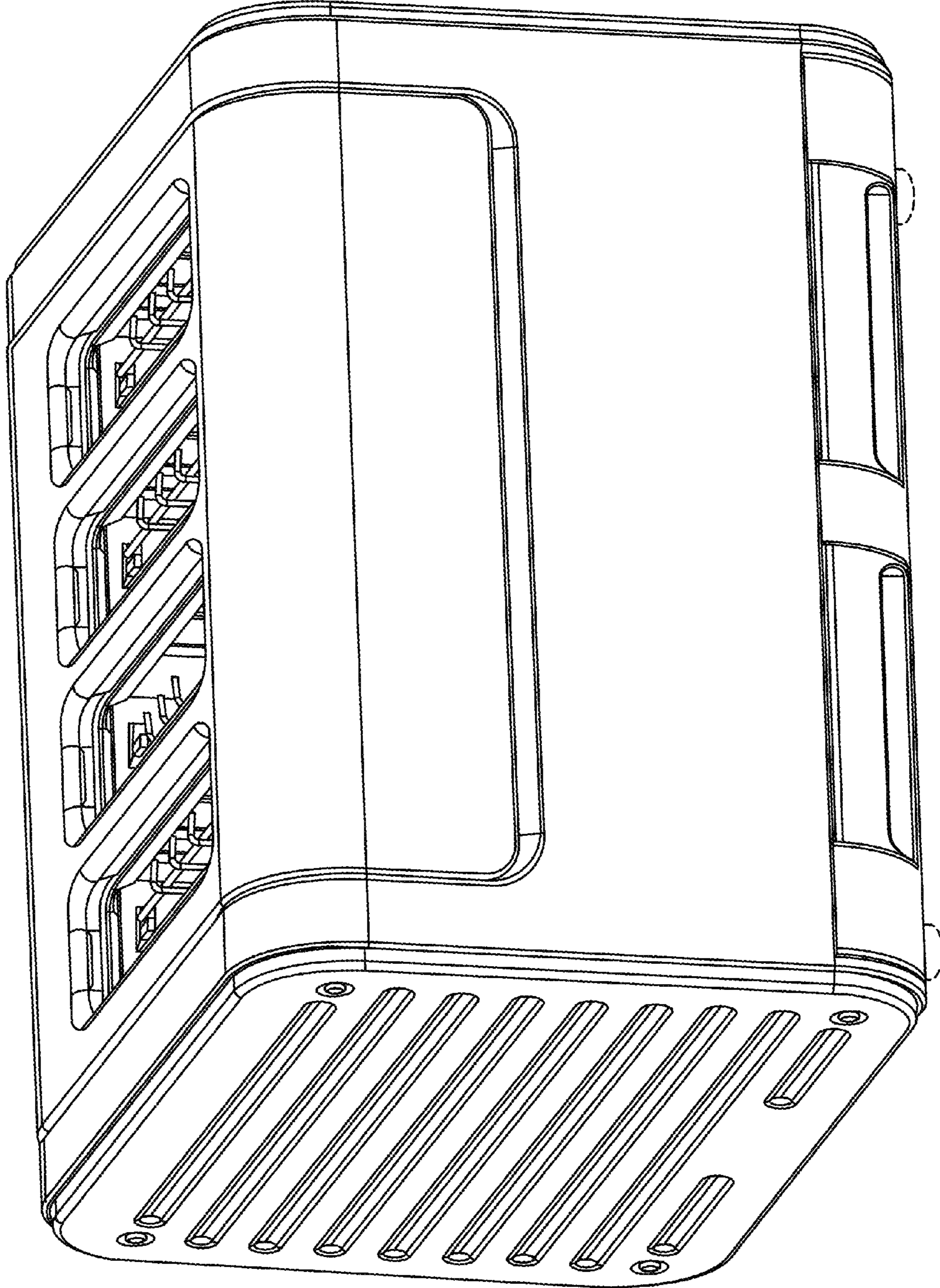


FIG. 5

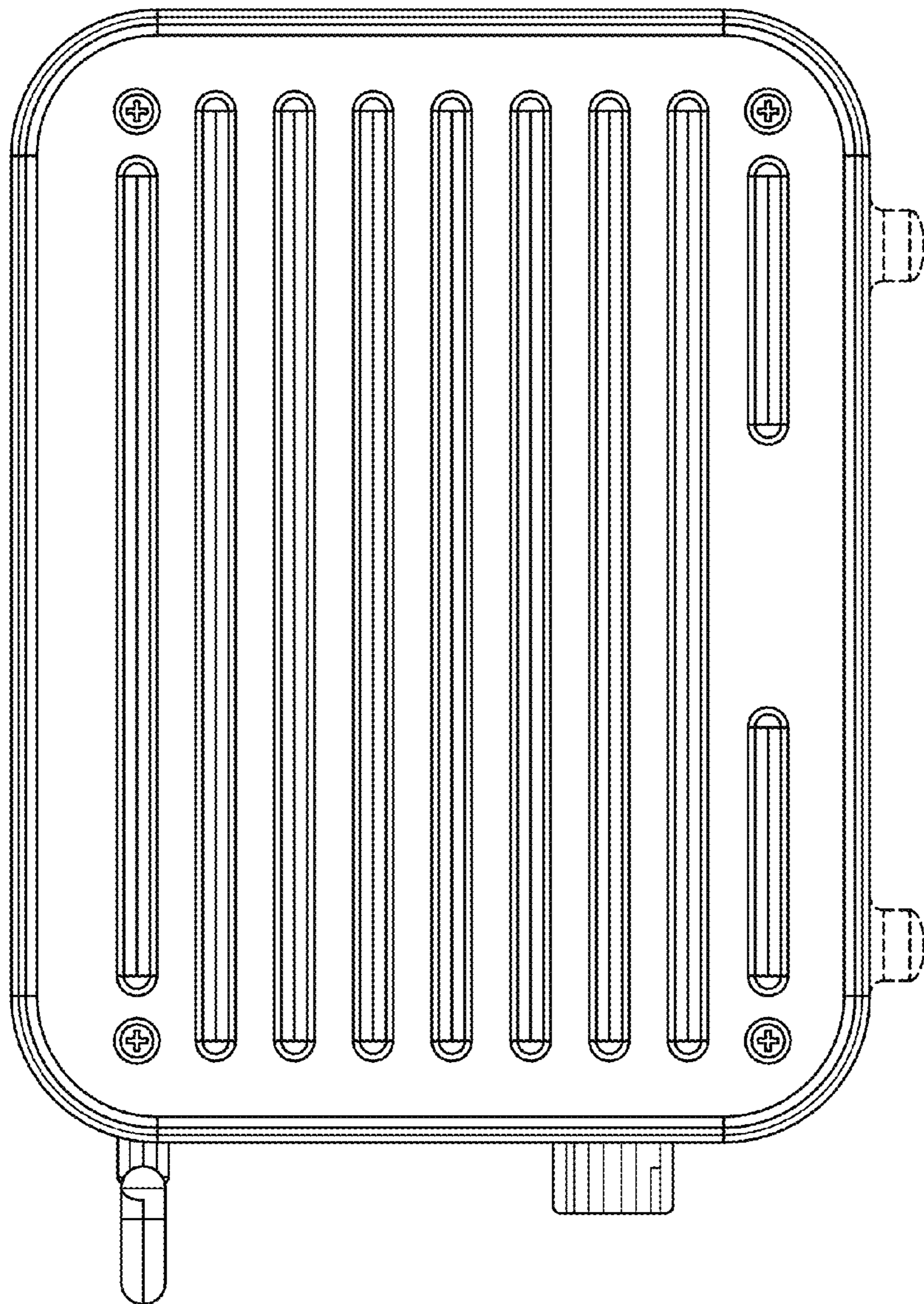


FIG. 6