



US00D707070S

(12) **United States Design Patent**
De'Longhi et al.

(10) **Patent No.:** **US D707,070 S**
(45) **Date of Patent:** **** Jun. 17, 2014**

(54) **COFFEE MAKER**

(71) Applicant: **De'Longhi Appliances S.R.L. Con Unico Socio**, Treviso (IT)

(72) Inventors: **Giuseppe De'Longhi**, Treviso (IT);
Giacomo Borin, Pordenone (IT)

(**) Term: **14 Years**

(21) Appl. No.: **29/437,473**

(22) Filed: **Nov. 16, 2012**

(30) **Foreign Application Priority Data**

May 18, 2012 (EM) 2043547-0011

(51) **LOC (10) Cl.** **07-01**

(52) **U.S. Cl.**
USPC **D7/310; D7/309; D7/311**

(58) **Field of Classification Search**
CPC A47J 31/00; A47J 31/10; A47J 31/14;
A37J 31/06
USPC D7/300, 306, 313, 305, 309-311;
D23/207, 209; 210/232, 681, 748.1;
99/295, 279, 280, 299
See application file for complete search history.

(56) **References Cited**

U.S. PATENT DOCUMENTS

D228,053 S * 8/1973 Knox et al. D7/309
D248,721 S * 8/1978 Sato et al. D7/309
D299,608 S * 1/1989 Knochner D7/309

D445,627 S * 7/2001 Naft et al. D7/309
D447,903 S * 9/2001 Lin D7/309
D447,904 S * 9/2001 Kling D7/309
D451,329 S * 12/2001 DeMars D7/305
D462,226 S * 9/2002 Williamson et al. D7/309
D479,087 S * 9/2003 Yao D7/309
D484,733 S * 1/2004 Kling D7/309
D488,949 S * 4/2004 Moisan D7/309
D511,066 S * 11/2005 Garner D7/309
D585,229 S * 1/2009 de Visser D7/309
D670,132 S * 11/2012 De'Longhi D7/310
D677,510 S * 3/2013 Tetreault D7/309
D696,891 S * 1/2014 Burrows D7/309

* cited by examiner

Primary Examiner — Marianne Pandozzi

(74) *Attorney, Agent, or Firm* — Flaster/Greenberg P.C.

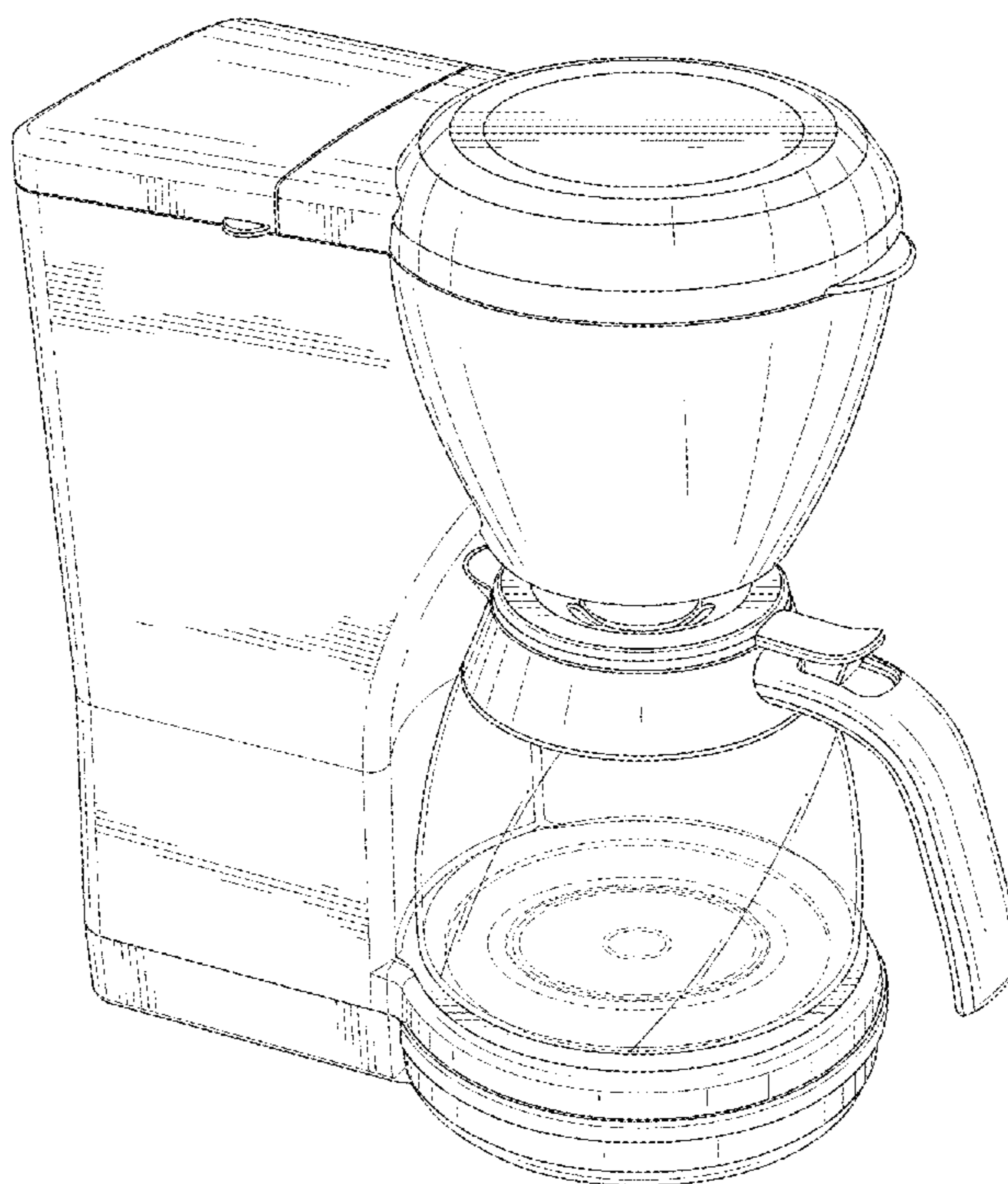
(57) **CLAIM**

The ornamental design for a coffee maker, as shown and described.

DESCRIPTION

FIG. 1 is a perspective view the embodiment of the coffee maker of the invention;
FIG. 2 is a enlarged front view of the coffee maker of FIG. 1;
FIG. 3 is a enlarged back view of the coffee maker of FIG. 1;
FIG. 4 is a right side view of the coffee maker of FIG. 1;
FIG. 5 is a left side view of the coffee maker of FIG. 1;
FIG. 6 is a enlarged top view of the coffee maker of FIG. 1;
and,
FIG. 7 is a enlarged bottom view of the coffee maker of FIG. 1.

1 Claim, 7 Drawing Sheets



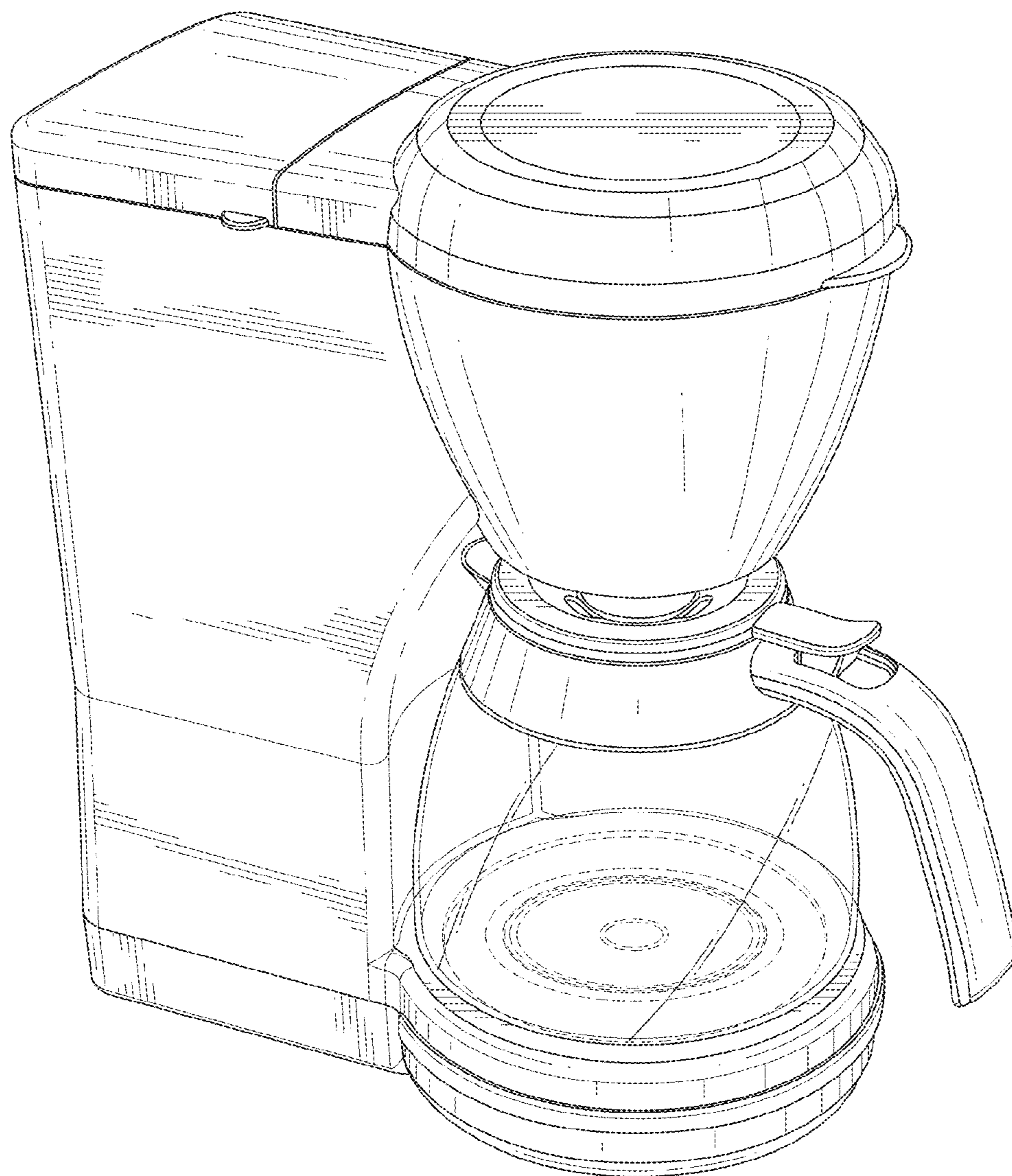


FIG. 1

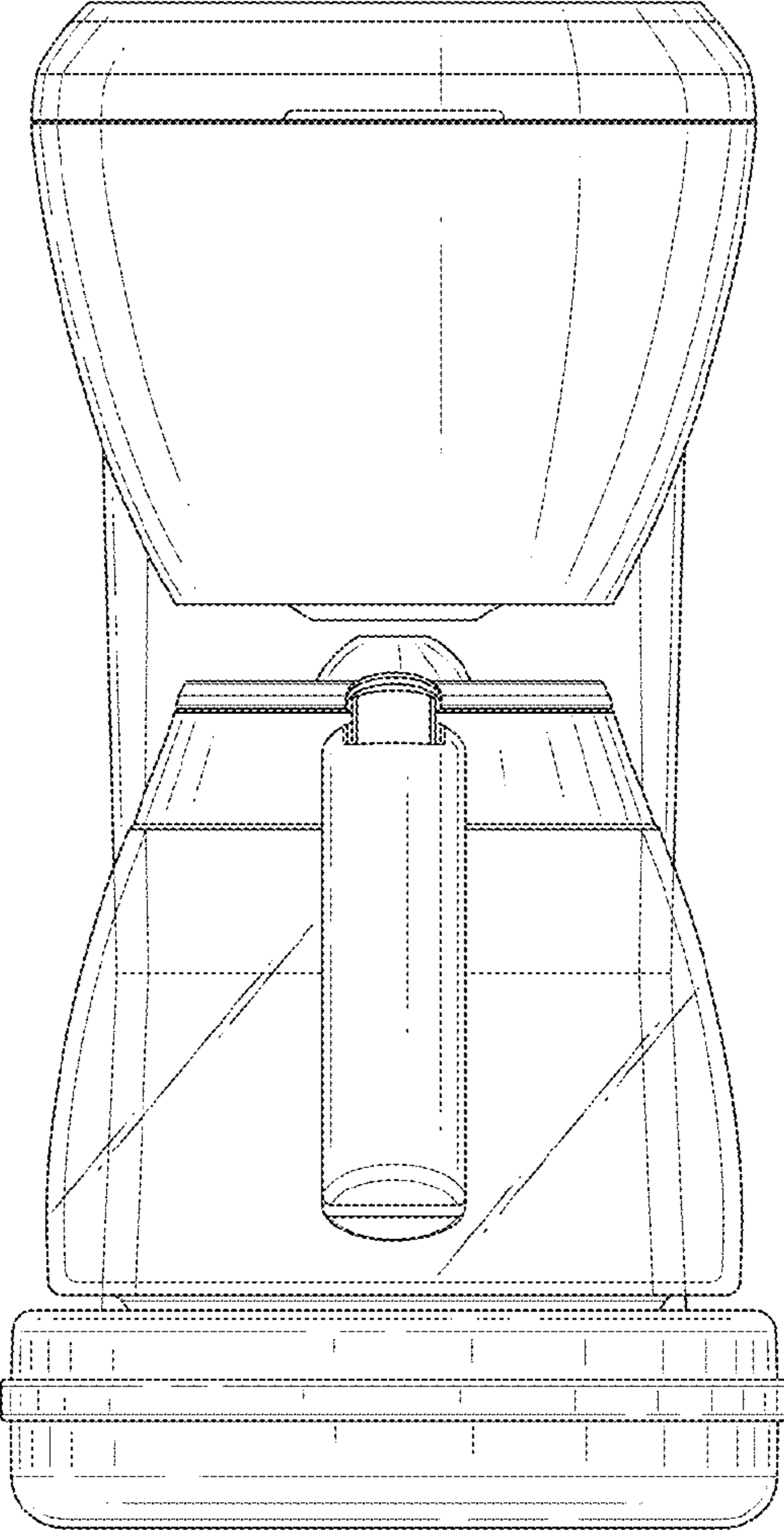


FIG. 2

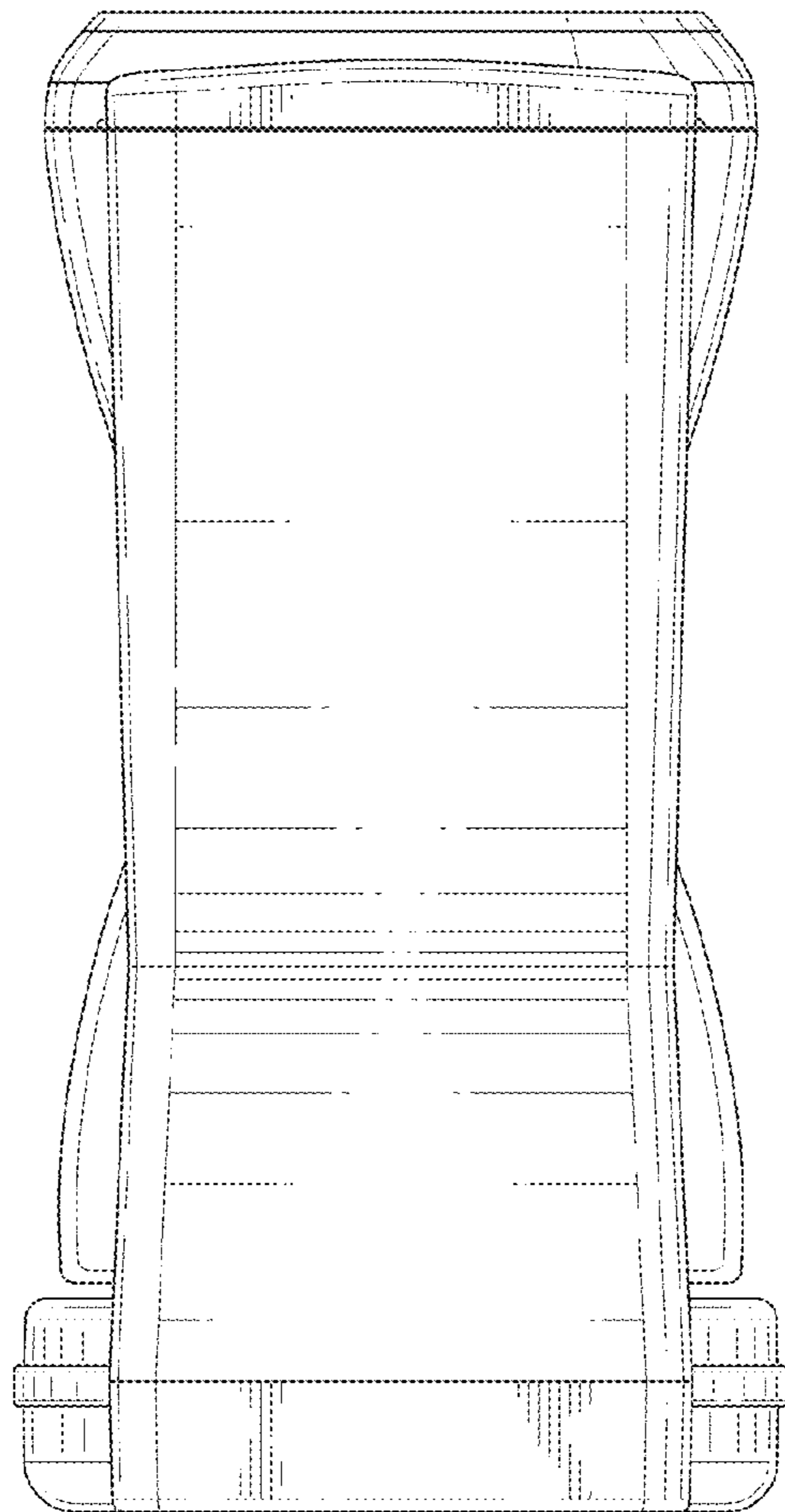


FIG. 3

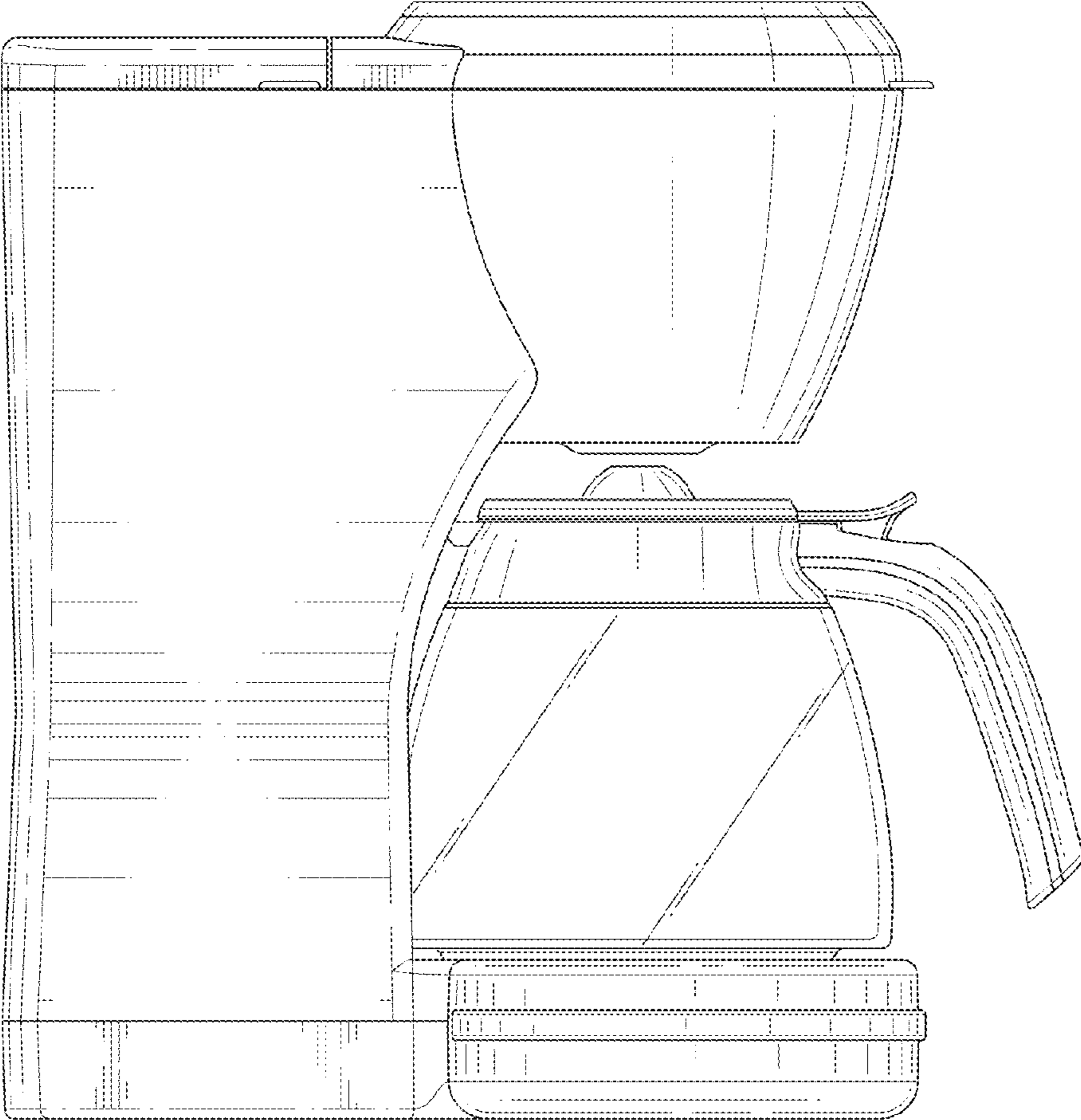


FIG. 4

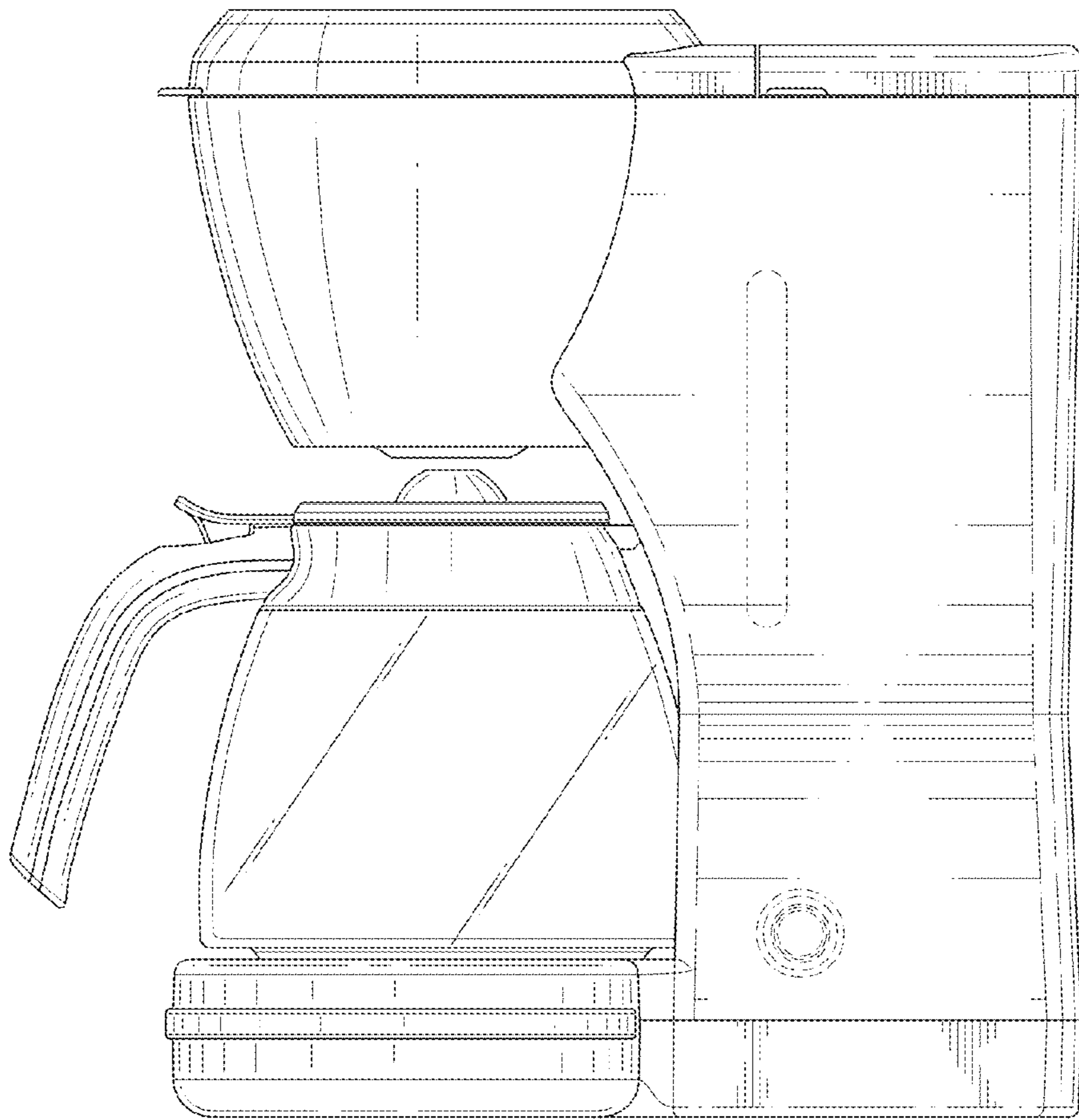


FIG. 5

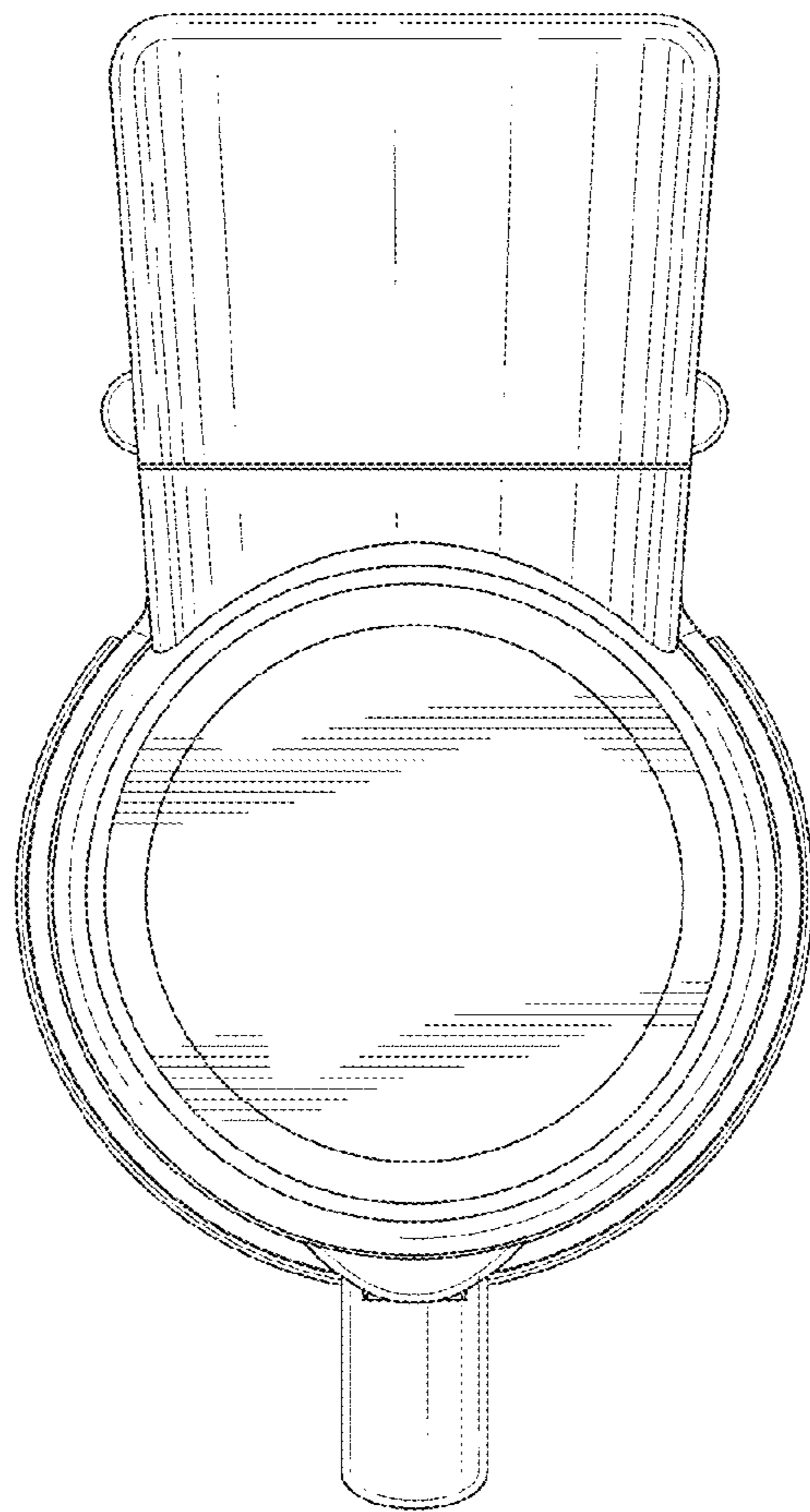


FIG. 6

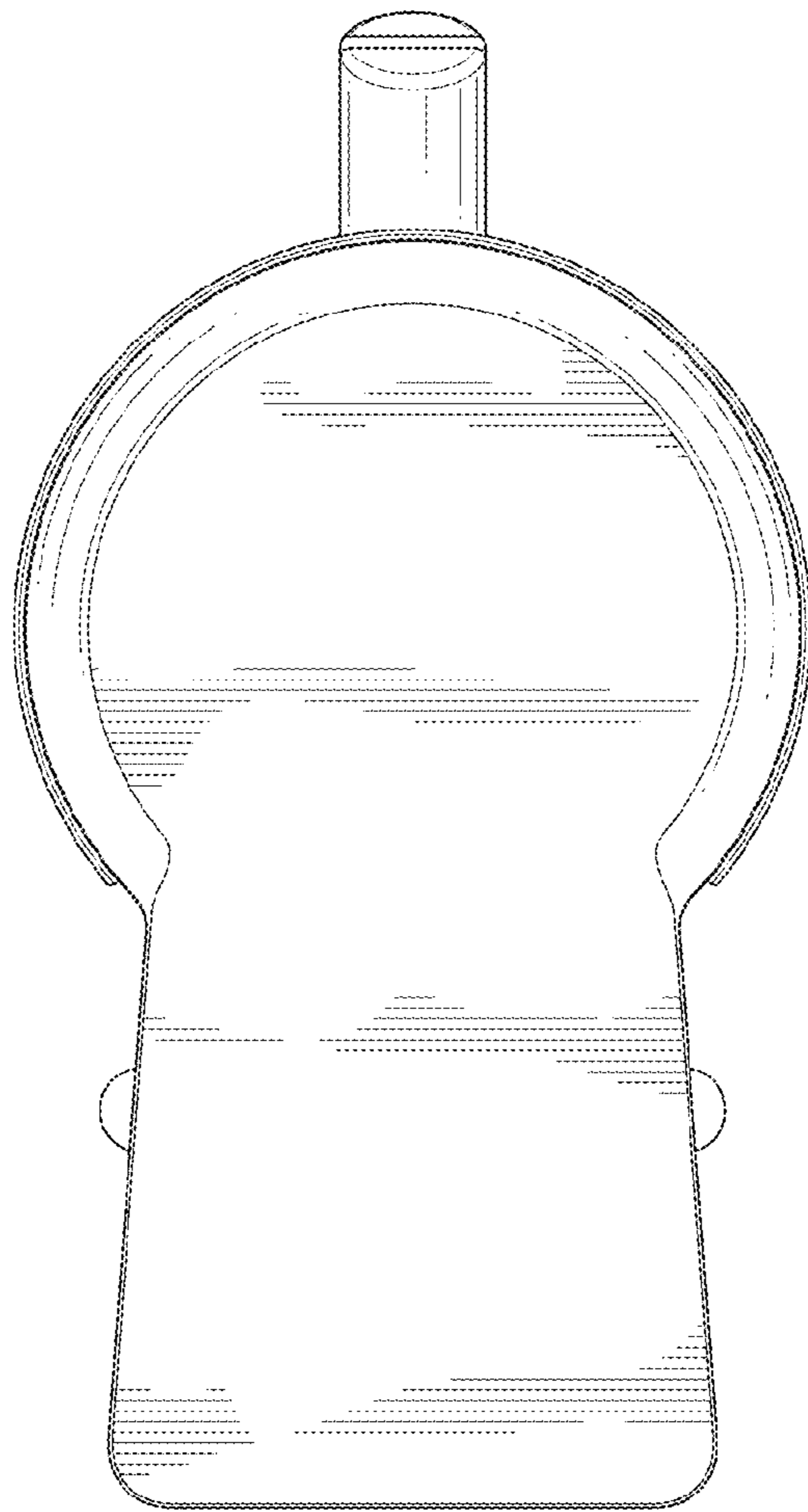


FIG. 7