



US00D707067S

(12) **United States Design Patent**
Basarich et al.

(10) **Patent No.:** **US D707,067 S**
(45) **Date of Patent:** **** Jun. 17, 2014**

- (54) **ADJUSTABLE SHELF**
- (71) Applicant: **L.A. Darling Company**, Paragould, AR (US)
- (72) Inventors: **Kyle Basarich**, Brookland, AR (US);
Gregory O. C. Ota, Jonesboro, AR (US); **John Dealy**, Jonesboro, AR (US)
- (73) Assignee: **L.A. Darling Company**, Paragould, AR (US)
- (**) Term: **14 Years**

- (21) Appl. No.: **29/467,015**
- (22) Filed: **Sep. 13, 2013**
- (51) **LOC (10) Cl.** **06-06**
- (52) **U.S. Cl.**
USPC **D6/705**
- (58) **Field of Classification Search**
USPC D6/396-397, 418, 449, 511, 513,
D6/572-574, 672, 705; 211/71.01, 88.01,
211/90.01, 126, 134, 153, 193; 108/106,
108/137, 157.1, 159.1, 180
See application file for complete search history.

(56) **References Cited**

U.S. PATENT DOCUMENTS

D146,982 S *	6/1947	Phillips	D12/44
D265,703 S *	8/1982	Zaro	D6/574
D266,482 S *	10/1982	Goldstein	D8/381
D299,687 S *	2/1989	Handler et al.	D6/574
D345,268 S *	3/1994	Pate	D6/511
D361,931 S *	9/1995	Cesler	D8/381
5,626,084 A *	5/1997	Kelly et al.	108/23
D458,484 S *	6/2002	Wood	D6/511
D493,009 S *	7/2004	Ken	D26/51
D519,769 S *	5/2006	Hoernig	D6/574
D520,795 S *	5/2006	Kivett	D6/574

D521,286 S *	5/2006	Colmenares	D6/511
D546,611 S *	7/2007	Bouroullec et al.	D6/574
D577,744 S *	9/2008	Baacke et al.	D15/89
7,494,019 B2 *	2/2009	Kessell et al.	211/187
7,497,533 B2 *	3/2009	Remmers	312/404
7,523,903 B1 *	4/2009	Rindoks et al.	248/250
D596,932 S *	7/2009	Kleinsasser	D8/381
D598,228 S *	8/2009	West	D6/574
D621,193 S *	8/2010	Bauchet et al.	D6/574

(Continued)

Primary Examiner — Kelley Donnelly

(74) *Attorney, Agent, or Firm* — Jennifer E. Lacroix; DLA Piper LLP US

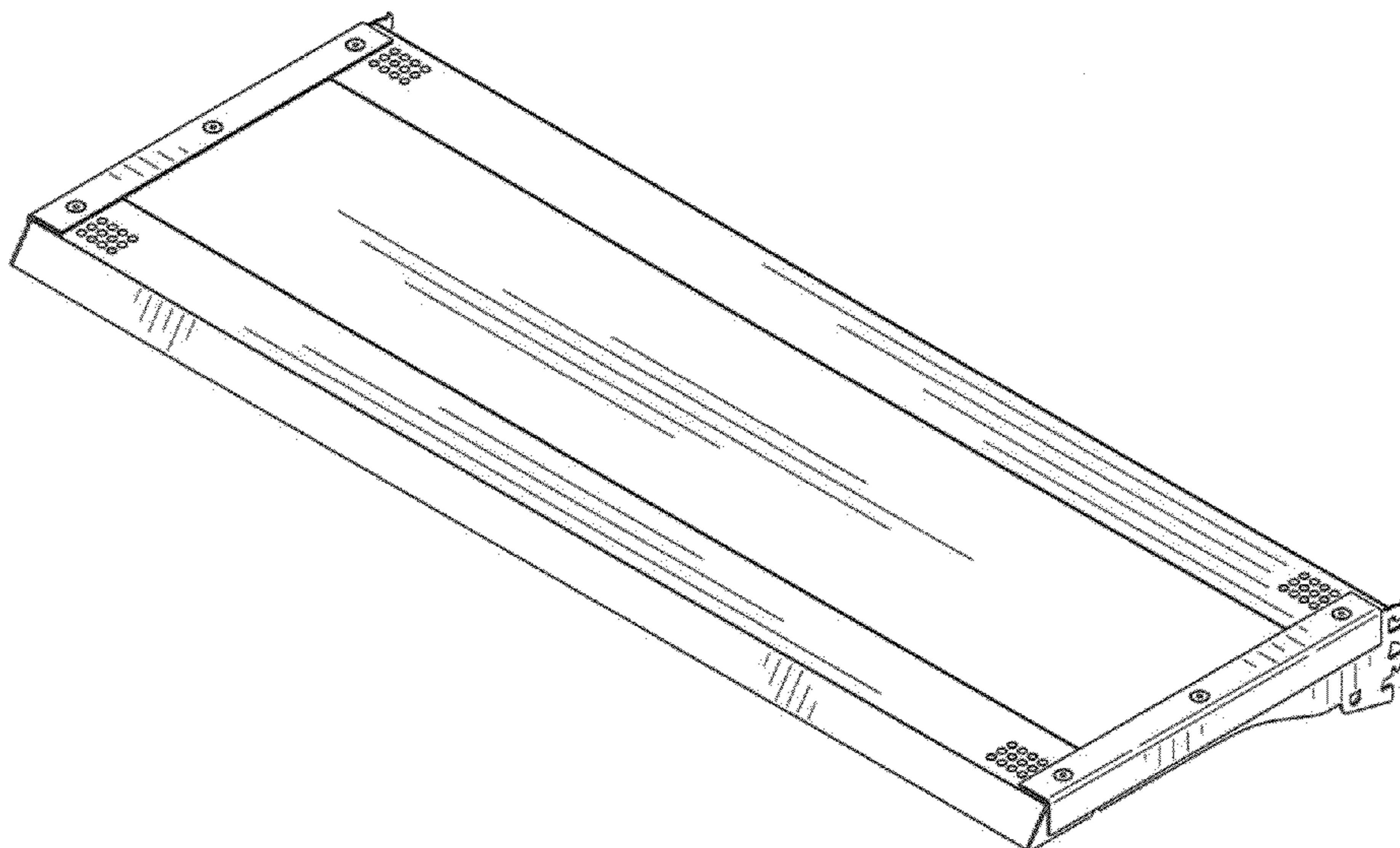
(57) **CLAIM**

The ornamental design for an adjustable shelf, as shown.

DESCRIPTION

FIG. 1 is a top perspective view of the adjustable shelf;
 FIG. 2 is a front elevational view of the adjustable shelf;
 FIG. 3 is a right side elevational view of the adjustable shelf;
 FIG. 4 is a left side elevational view of the adjustable shelf;
 FIG. 5 is a top view of the adjustable shelf;
 FIG. 6 is a bottom view of the adjustable shelf;
 FIG. 7 is a top perspective view of a bracket of the adjustable shelf;
 FIG. 8 is a front elevational view of a bracket of the adjustable shelf;
 FIG. 9 is a right side elevational view of a bracket of the adjustable shelf;
 FIG. 10 is a left side elevational view of a bracket of the adjustable shelf;
 FIG. 11 is a top view of a bracket of the adjustable shelf;
 FIG. 12 is a bottom view of a bracket of the adjustable shelf;
 and,
 FIG. 13 is a bottom perspective view of a bracket of the adjustable shelf.

1 Claim, 5 Drawing Sheets



(56)

References Cited

U.S. PATENT DOCUMENTS

D659,110 S * 5/2012 Chen et al. D13/179
D662,341 S * 6/2012 Sanders D6/511
D678,699 S * 3/2013 Stravitz D6/707.22

D681,981 S * 5/2013 Sharpe et al. D6/707.22
D688,905 S * 9/2013 Stravitz D6/705
D694,046 S * 11/2013 Walter D6/705
2007/0241072 A1 * 10/2007 Bryant et al. 211/90.02

* cited by examiner

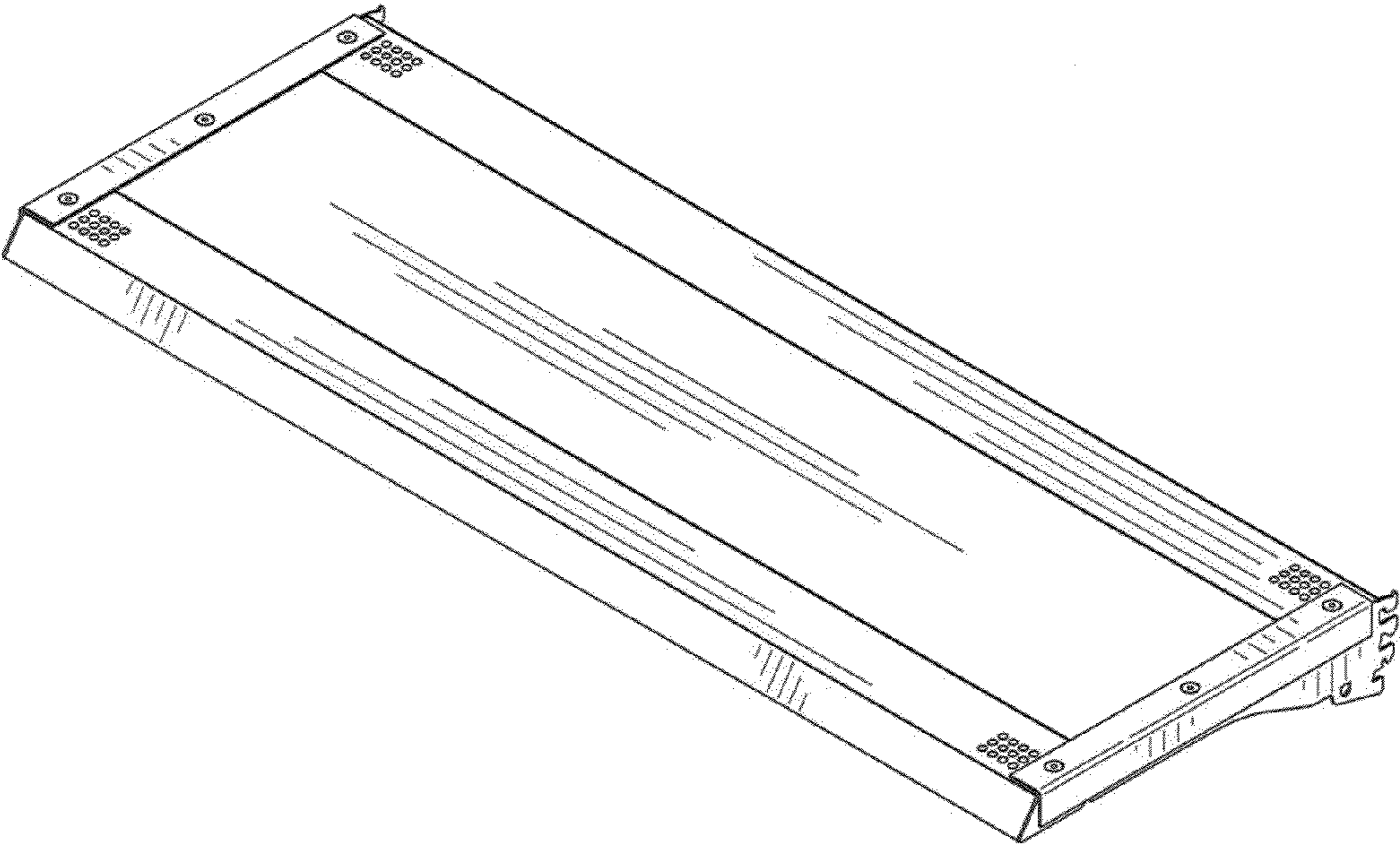


FIG. 1

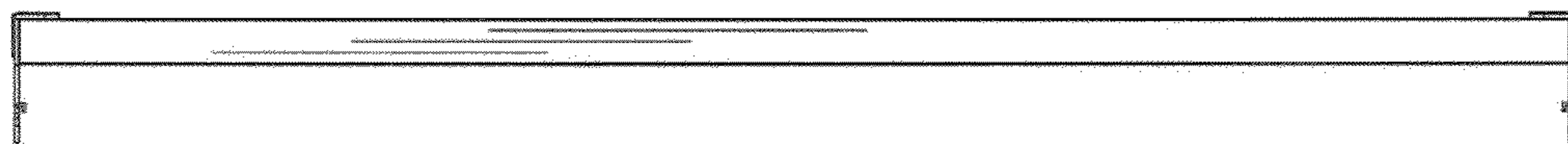


FIG. 2

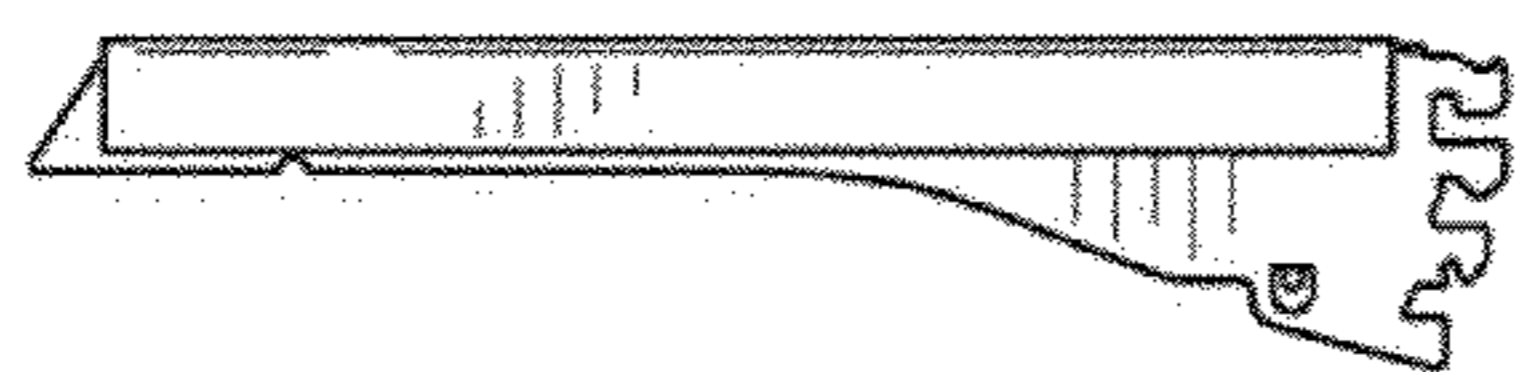


FIG. 3

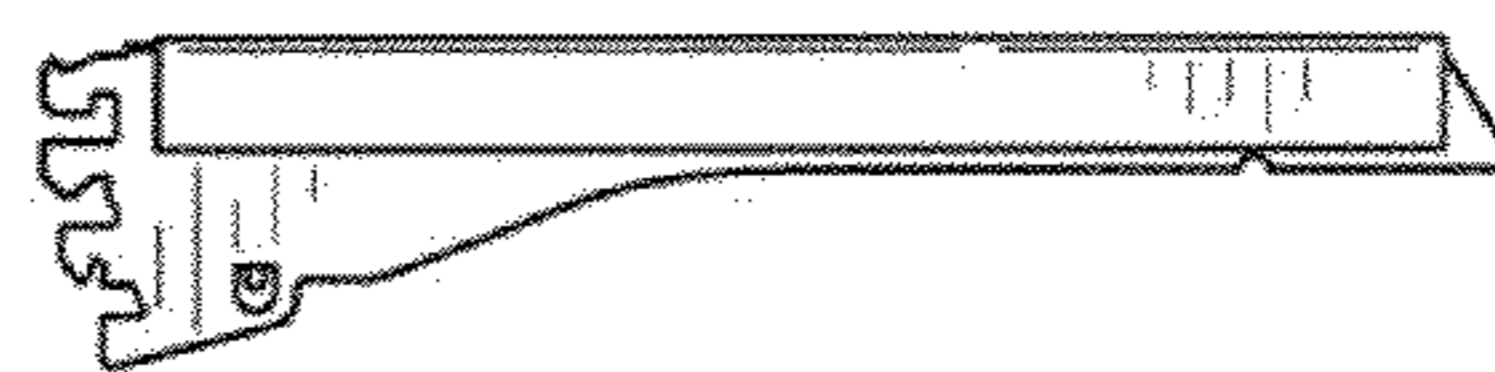


FIG. 4

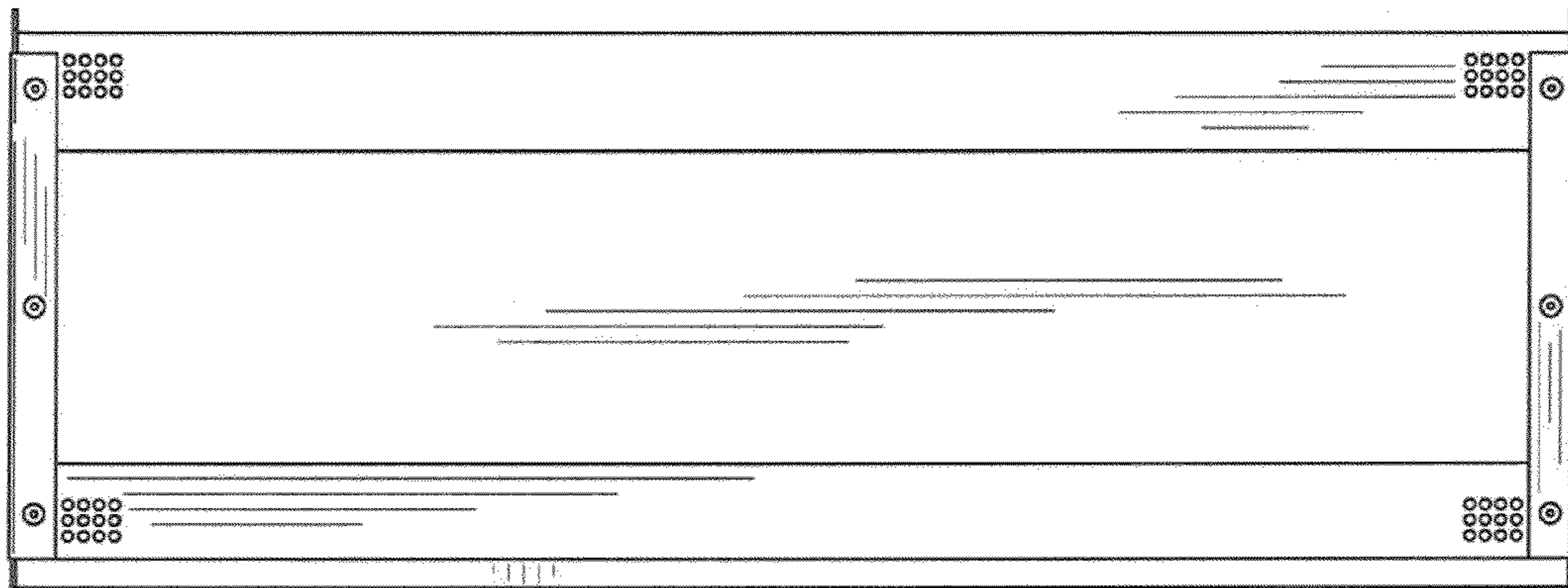


FIG. 5

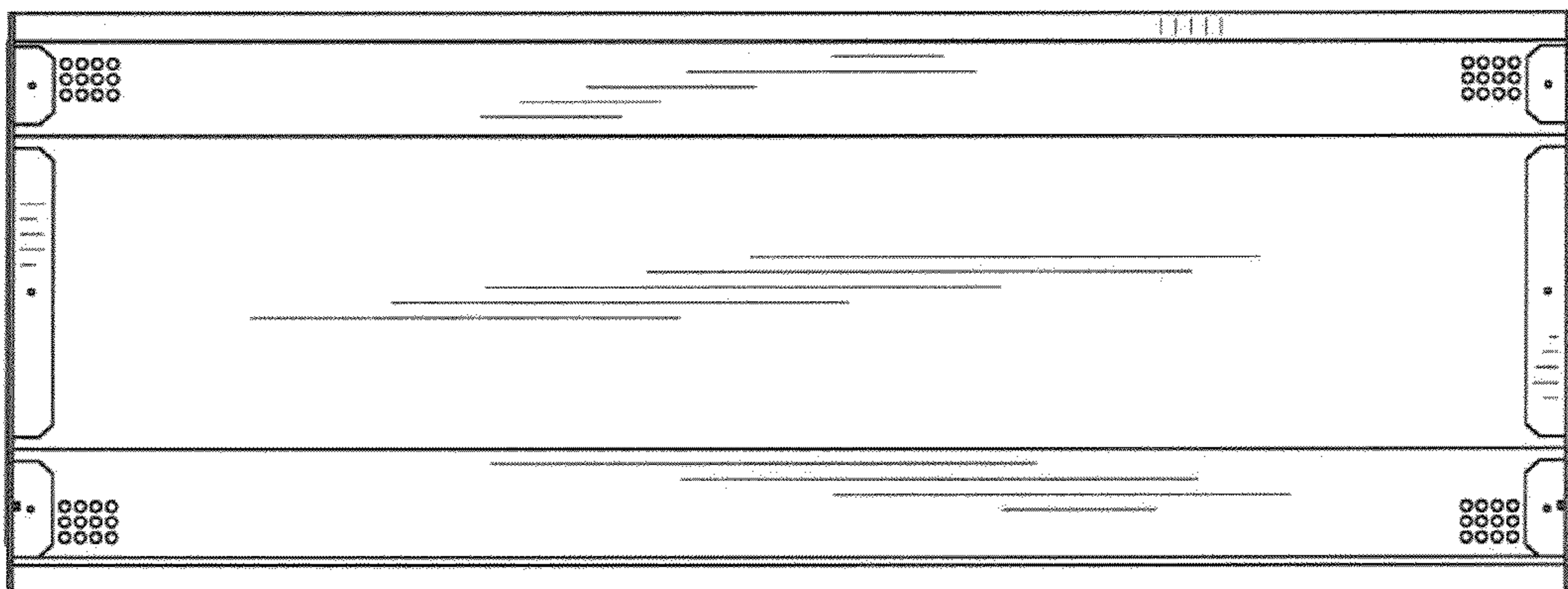


FIG. 6

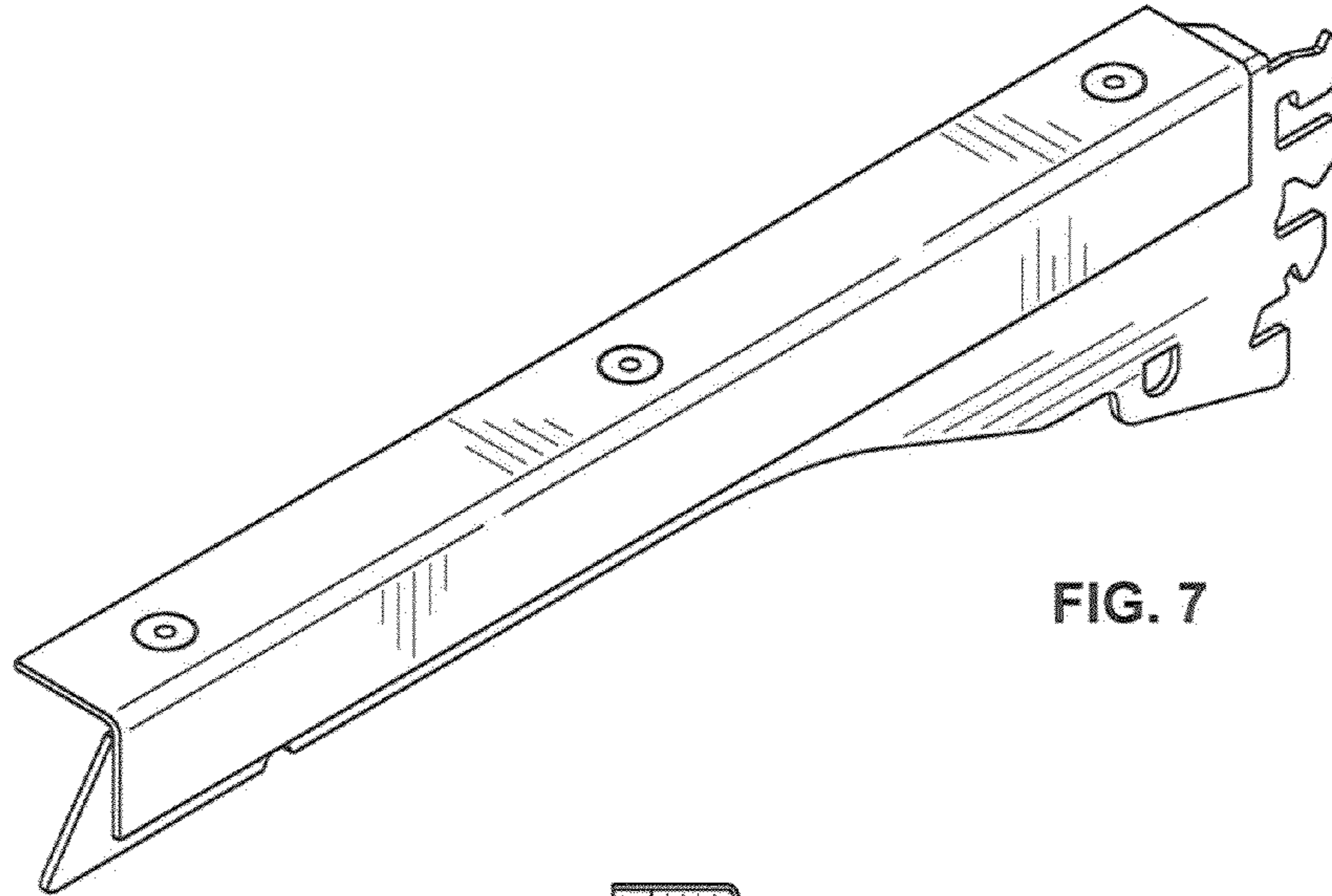


FIG. 7

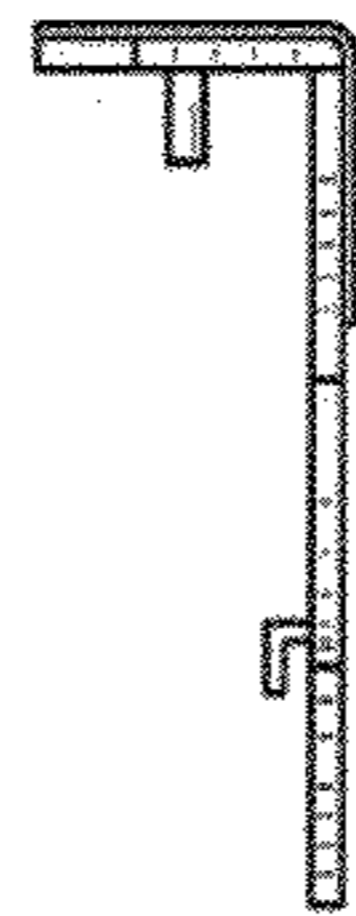


FIG. 8

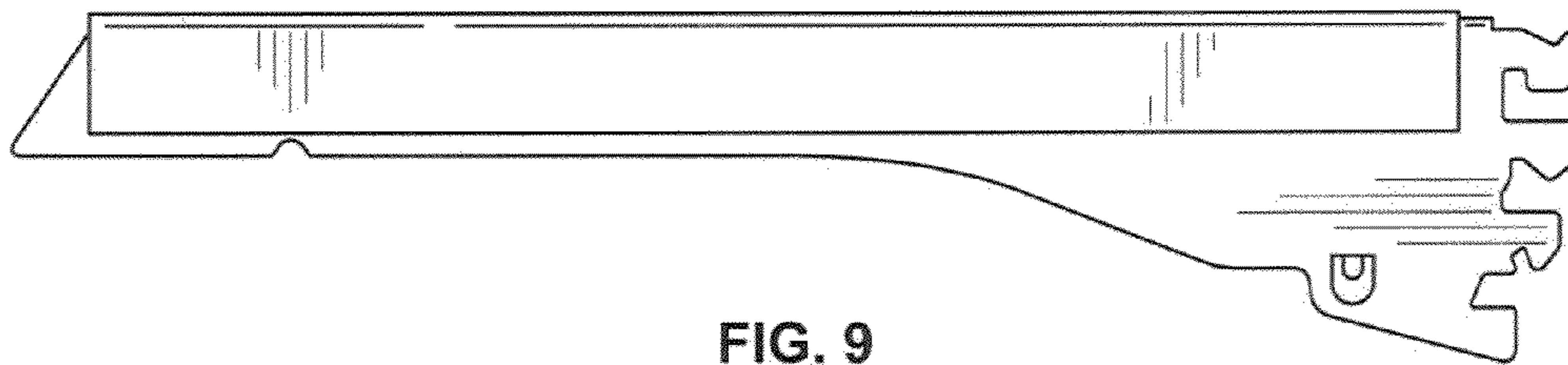


FIG. 9

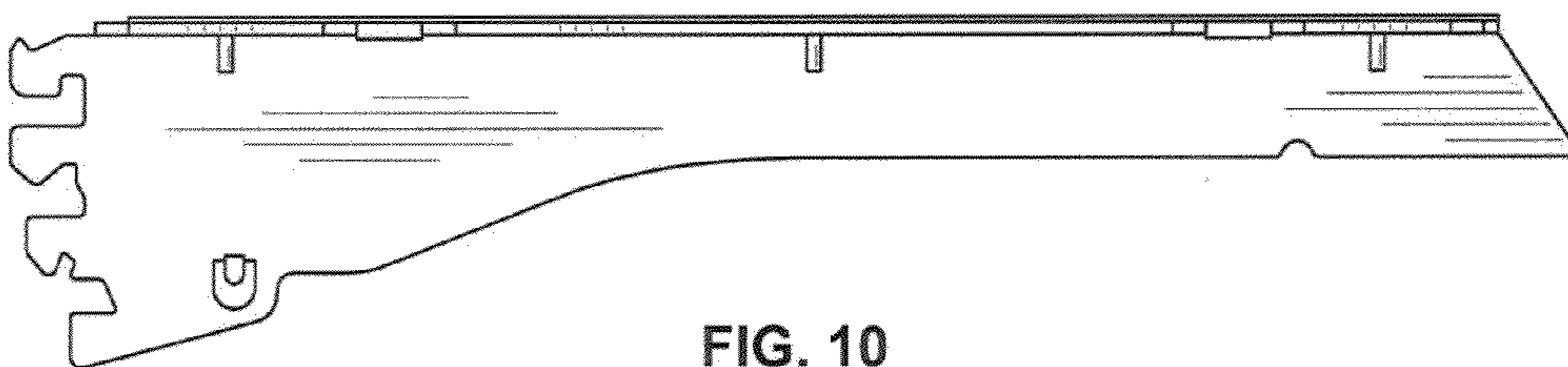


FIG. 10

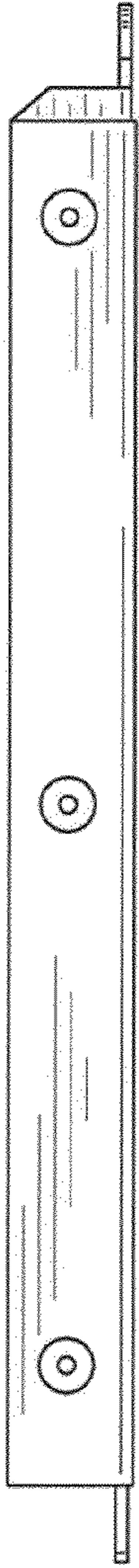


FIG. 11

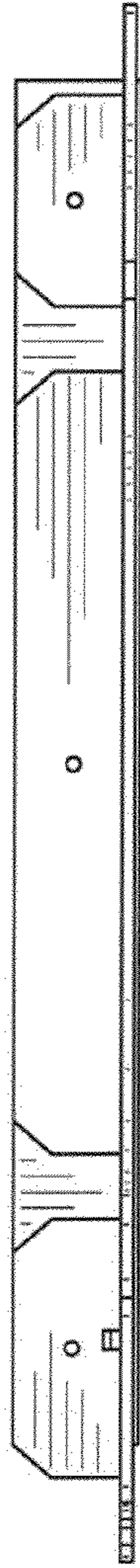


FIG. 12

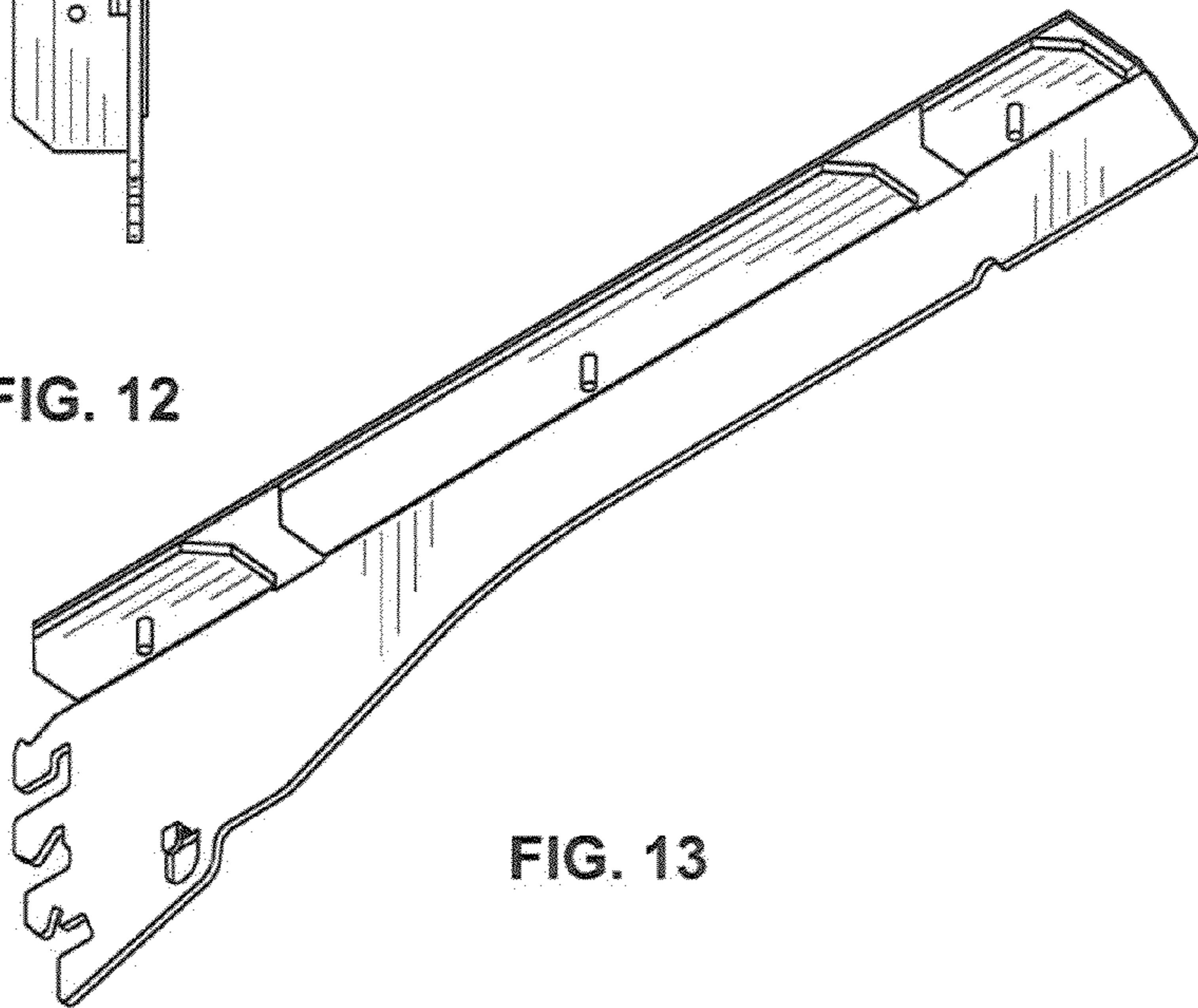


FIG. 13