



US00D707066S

(12) **United States Design Patent**  
**Theisen et al.**

(10) **Patent No.:** **US D707,066 S**  
(45) **Date of Patent:** **\*\* Jun. 17, 2014**

(54) **COVER**

(71) Applicant: **Target Brands, Inc.**, Minneapolis, MN (US)

(72) Inventors: **Jennifer A. Theisen**, Crystal, MN (US);  
**Erin L. Zobel**, Minneapolis, MN (US);  
**William Y. Stafford**, Minnetrista, MN (US);  
**Timothy J. Martell**, Brooklyn Park, MN (US)

(73) Assignee: **Target Brands, Inc.**, Minneapolis, MN (US)

(\*\*) Term: **14 Years**

(21) Appl. No.: **29/435,999**

(22) Filed: **Oct. 31, 2012**

(51) **LOC (10) Cl.** ..... **06-06**

(52) **U.S. Cl.**  
USPC ..... **D6/682.2**

(58) **Field of Classification Search**  
USPC ..... D6/396-397, 449-450, 466-467, 469,  
D6/528, 534, 681, 681.2, 682, 682.2;  
211/13.1, 42, 49, 50, 71.01, 90.01,  
211/119.003, 126.1, 134; D19/95, 99;  
D20/15, 19

See application file for complete search history.

(56) **References Cited**

U.S. PATENT DOCUMENTS

D210,055 S	1/1968	Walker	
3,539,237 A	11/1970	Acker	
D245,118 S *	7/1977	Heaton	D24/230
D250,441 S	12/1978	Richman et al.	
4,357,898 A *	11/1982	Fehrenbacher	118/504
4,479,583 A	10/1984	Franklin et al.	
D290,534 S	6/1987	Wendkos	
D294,548 S *	3/1988	Wallace	D6/567
D301,575 S *	6/1989	Crawford, Jr.	D13/119

5,209,452 A *	5/1993	Goldberg	248/676
5,312,000 A	5/1994	Bass	
5,579,929 A *	12/1996	Schwartz	211/74
5,706,977 A	1/1998	Ogura et al.	
D393,543 S *	4/1998	Wilkening et al.	D3/313
D400,373 S *	11/1998	Thoesen	D6/469
D400,941 S *	11/1998	Allen	D21/663
D438,632 S *	3/2001	Miller	D24/224
6,299,002 B1	10/2001	Garnier	
6,336,564 B1	1/2002	Garnier	

(Continued)

FOREIGN PATENT DOCUMENTS

EP	0026693 A1	4/1981
FR	2706269 A1	12/1994

OTHER PUBLICATIONS

Office Action from Canadian Patent Application No. 150188, mailed Jan. 22, 2014 (1 page).

(Continued)

*Primary Examiner* — Kelley Donnelly

(74) *Attorney, Agent, or Firm* — Leanne Taveggia Farrell; Westman, Champlin & Koehler, P.A.

(57) **CLAIM**

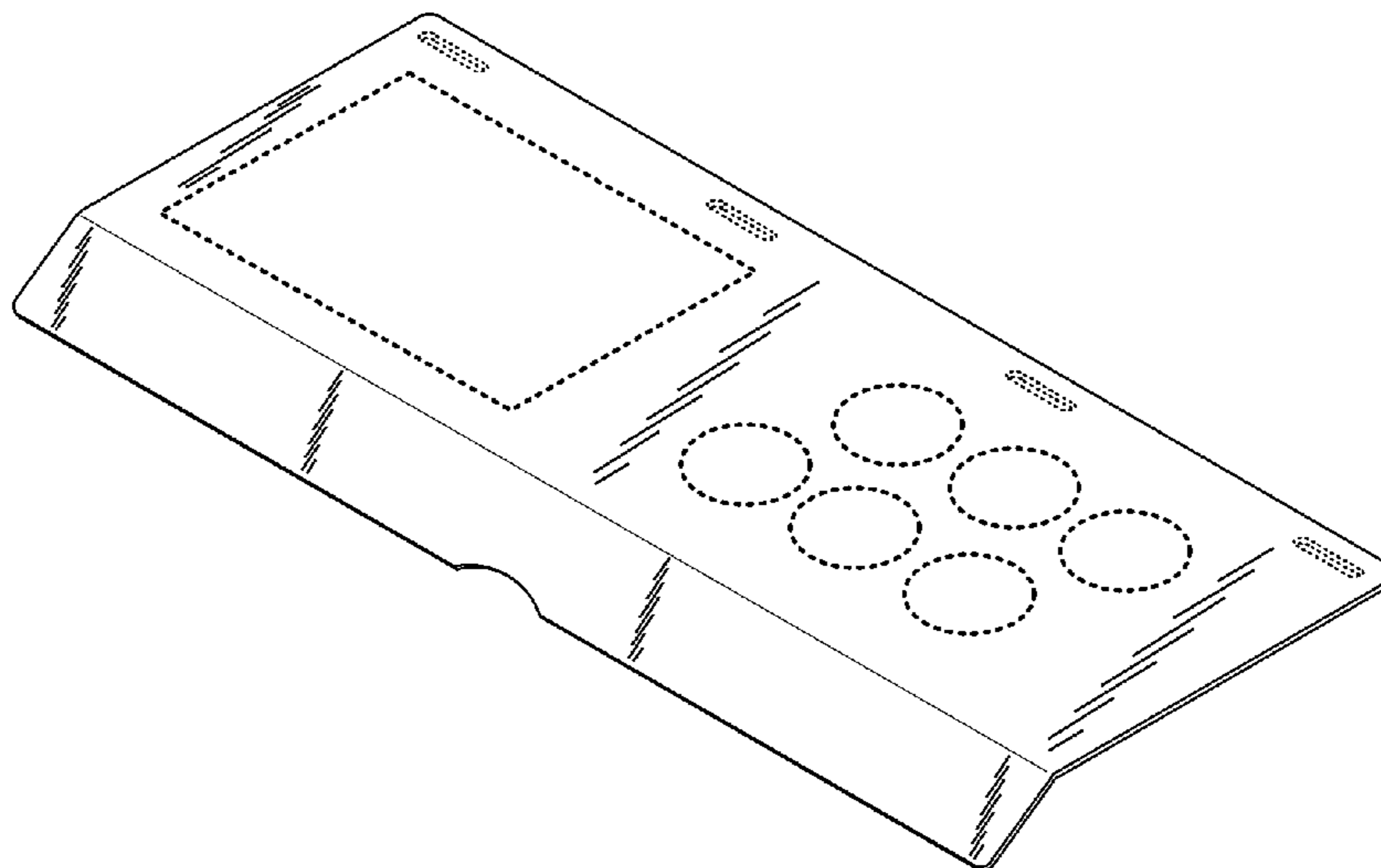
The ornamental design for a cover, as shown and described.

**DESCRIPTION**

FIG. 1 is a perspective view of a cover;  
FIG. 2 is a front view thereof;  
FIG. 3 is a back view thereof;  
FIG. 4 is a right side view thereof;  
FIG. 5 is a left side view thereof;  
FIG. 6 is a top view thereof; and,  
FIG. 7 is a bottom view thereof.

The broken lines shown in the drawings are included for purposes of illustrating portions of the cover and form no part of the claimed design.

**1 Claim, 2 Drawing Sheets**



(56)

**References Cited**

U.S. PATENT DOCUMENTS

D455,755 S \* 4/2002 Levine et al. .... D14/447  
 D471,991 S \* 3/2003 Maylon et al. .... D25/119  
 D488,816 S \* 4/2004 Tyler et al. .... D14/458  
 D489,960 S \* 5/2004 Grendahl ..... D8/354  
 6,929,116 B2 \* 8/2005 Chao et al. .... 206/5  
 D555,655 S \* 11/2007 Iu ..... D14/447  
 7,604,132 B2 10/2009 Richardson et al.  
 D603,189 S \* 11/2009 Raile ..... D6/469  
 D609,510 S 2/2010 Stafford et al.  
 D610,381 S \* 2/2010 Stifal ..... D6/513  
 D620,942 S \* 8/2010 Huang ..... D14/447  
 D626,129 S \* 10/2010 Lutz ..... D14/447  
 7,905,362 B2 3/2011 Slimane  
 7,950,538 B2 5/2011 Zang et al.  
 D663,971 S \* 7/2012 Raile ..... D6/457  
 D664,149 S \* 7/2012 Crisp et al. .... D14/459  
 D672,352 S \* 12/2012 Gengler ..... D14/440

D682,282 S \* 5/2013 Steinfeld ..... D14/447  
 D685,503 S \* 7/2013 Gardner ..... D25/119  
 D701,215 S \* 3/2014 King ..... D14/447  
 D701,323 S \* 3/2014 Fortun et al. .... D25/48.2  
 2003/0168458 A1 9/2003 Lafferty et al.  
 2004/0075374 A1 4/2004 Von Der Burg et al.  
 2005/0279753 A1 12/2005 Timm et al.  
 2008/0121563 A1 5/2008 Polvere et al.  
 2009/0084742 A1 4/2009 Winkler et al.  
 2009/0294390 A1 12/2009 Weshler  
 2009/0294392 A1 12/2009 Stafford et al.  
 2010/0181449 A1 7/2010 Weigand et al.  
 2010/0326939 A1 12/2010 Clark et al.

OTHER PUBLICATIONS

Pending U.S. Appl. No. 13/402,223, filed Feb. 22, 2012, entitled  
 Tester Display Fixture, 47 pages.

\* cited by examiner

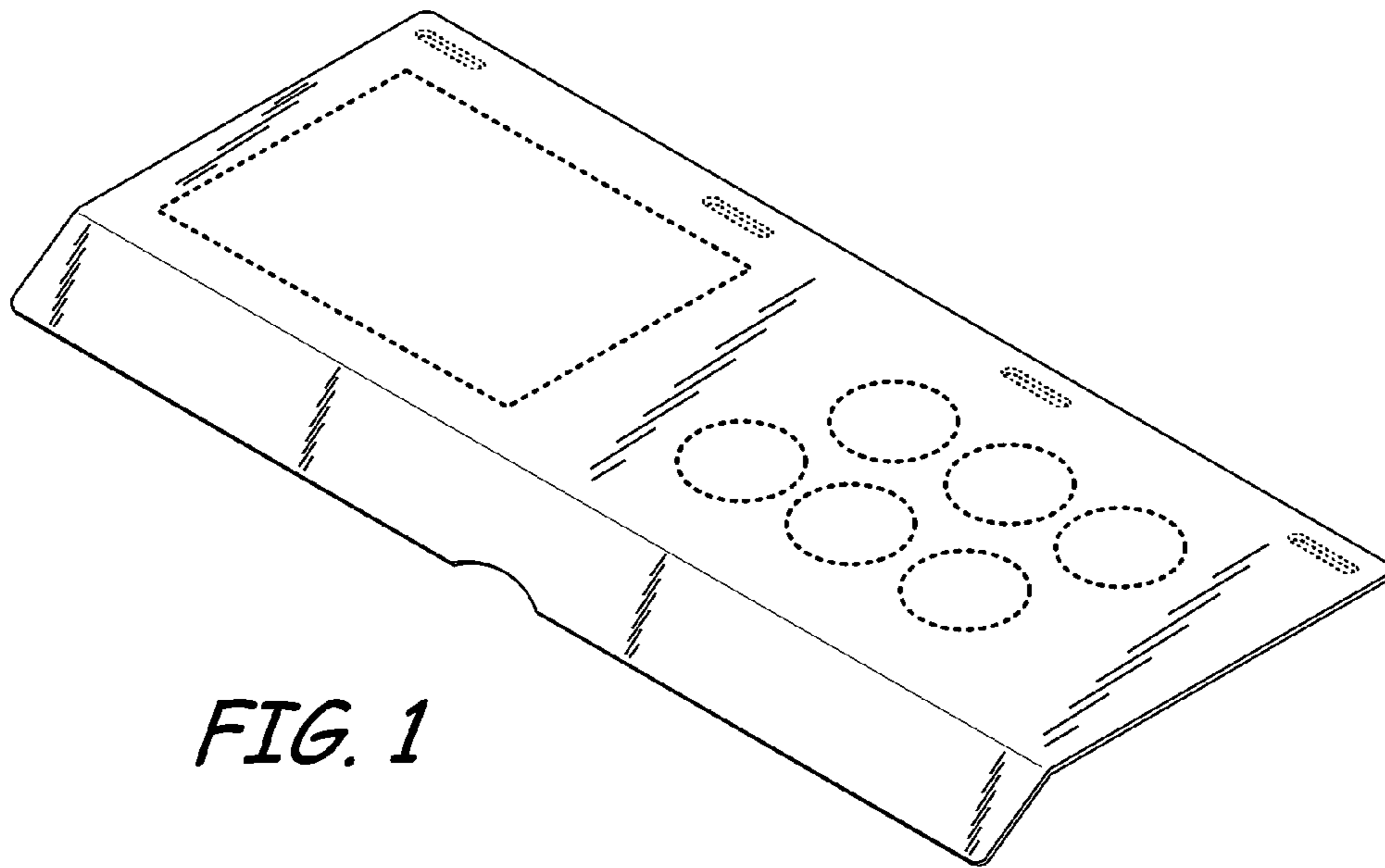


FIG. 1

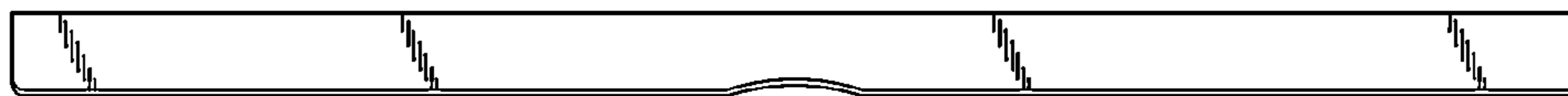


FIG. 2

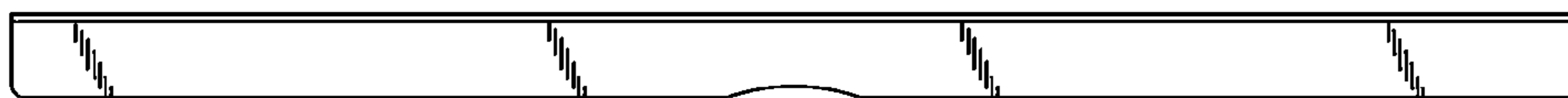


FIG. 3

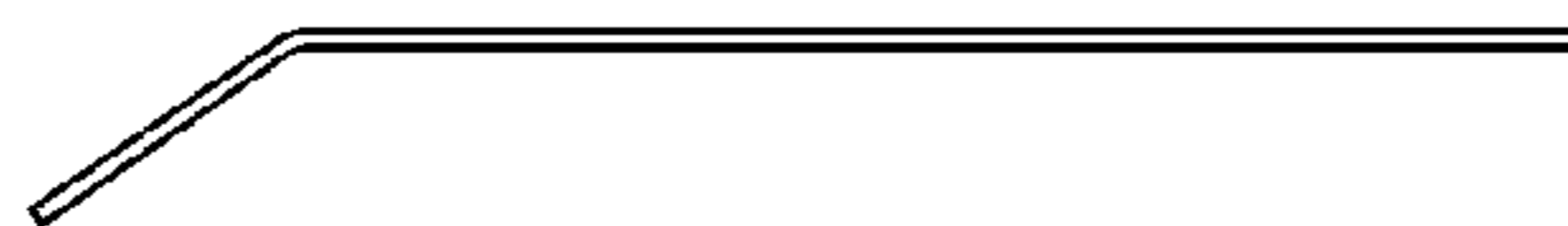


FIG. 4

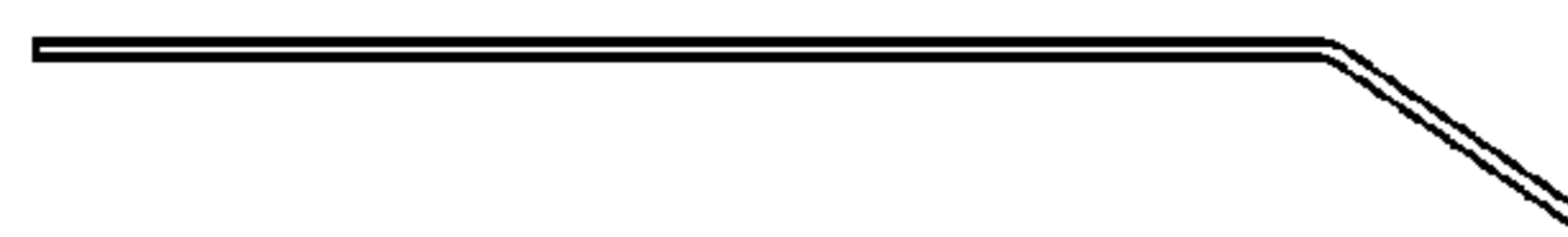


FIG. 5

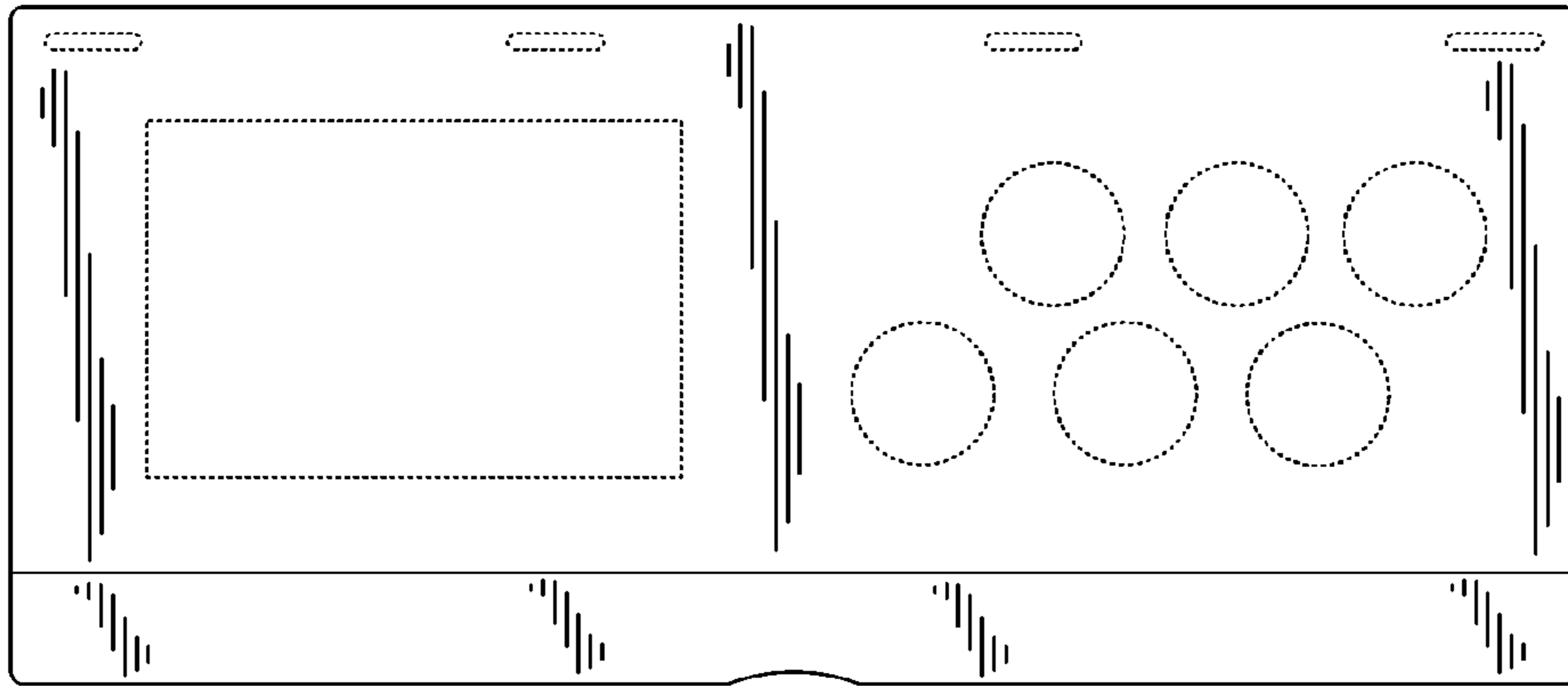


FIG. 6

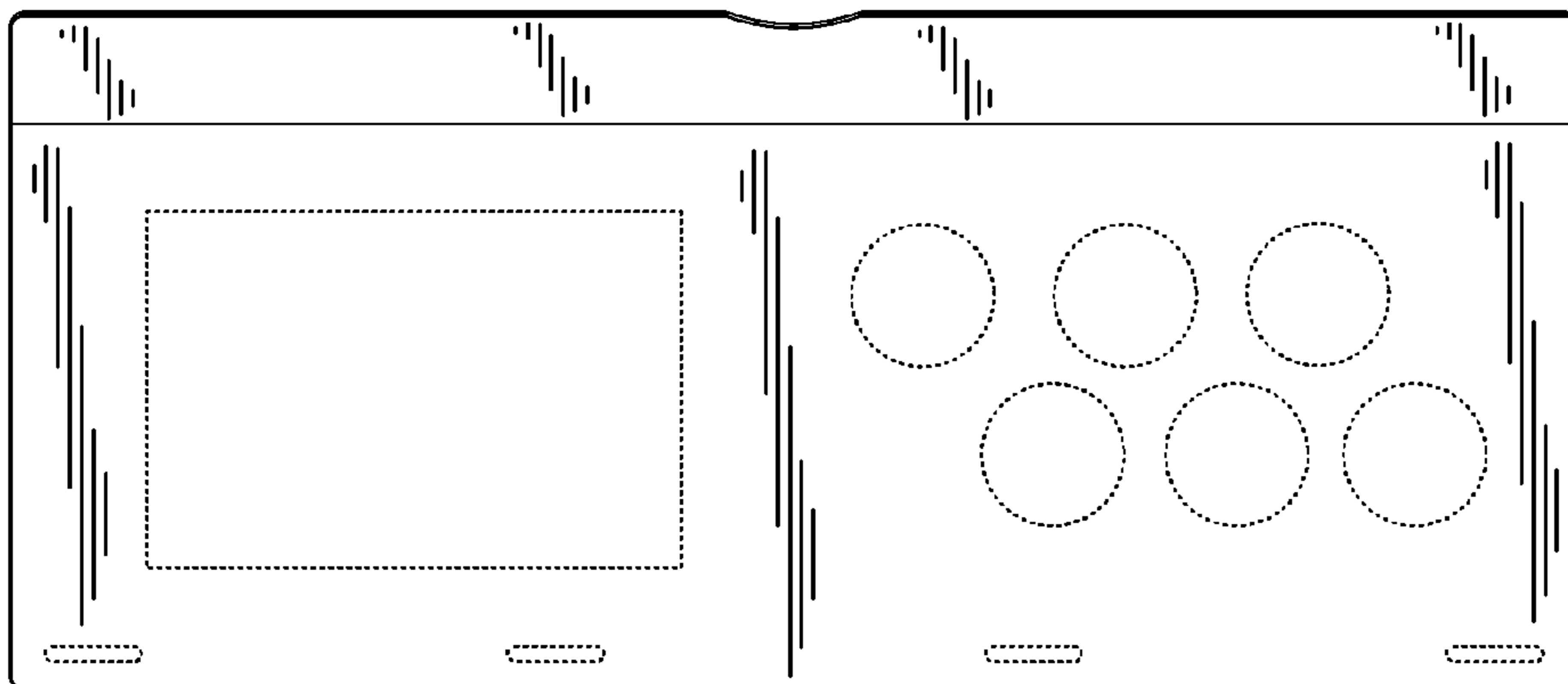


FIG. 7