



US00D707065S

(12) **United States Design Patent**
Fisher

(10) **Patent No.:** **US D707,065 S**

(45) **Date of Patent:** **** Jun. 17, 2014**

(54) **DISPLAY RACK**

(71) Applicant: **Geoff Fisher**, Encinitas, CA (US)

(72) Inventor: **Geoff Fisher**, Encinitas, CA (US)

(73) Assignee: **Surf Ventures Unlimited, LLC**,
Encinitas, CA (US)

(**) Term: **14 Years**

(21) Appl. No.: **29/436,515**

(22) Filed: **Nov. 6, 2012**

(51) **LOC (10) Cl.** **06-06**

(52) **U.S. Cl.**
USPC **D6/678.4**

(58) **Field of Classification Search**
USPC D6/396, 410-411, 458, 462-465, 466,
D6/475-476, 629, 672-673, 678-678.4;
211/41.4, 42, 49.1, 90.03, 106, 181.1;
312/9.1, 9.47, 9.48, 9.52, 9.53, 9.55
See application file for complete search history.

| | | | |
|--------------|---------|-----------------------|---------|
| D588,415 S * | 3/2009 | Ward et al. | D7/601 |
| D592,468 S * | 5/2009 | Goodman et al. | D7/704 |
| D613,966 S * | 4/2010 | Staw et al. | D6/476 |
| D630,875 S * | 1/2011 | Leung | D6/552 |
| D632,228 S * | 2/2011 | Marin | D12/115 |
| D639,718 S * | 6/2011 | Patrick | D12/412 |
| D640,485 S * | 6/2011 | Dugger | D6/462 |
| D642,671 S * | 8/2011 | Alexander | D23/410 |
| D651,067 S * | 12/2011 | Johnson, III | D8/354 |
| D658,015 S * | 4/2012 | Borovicka et al. | D7/641 |
| D661,623 S * | 6/2012 | Strayer | D12/115 |
| D678,131 S * | 3/2013 | Hoadley et al. | D12/115 |
| D684,505 S * | 6/2013 | Stavinga | D12/115 |
| D687,203 S * | 7/2013 | Long et al. | D32/58 |
| D687,649 S * | 8/2013 | Kozak | D6/705 |
| D695,982 S * | 12/2013 | Jonsson | D32/55 |

* cited by examiner

Primary Examiner — Kelley Donnelly

(74) *Attorney, Agent, or Firm* — K&L Gates LLP; Louis C. Cullman; Brian J. Novak

(57) **CLAIM**

The ornamental design for a display rack, as shown and described.

(56) **References Cited**

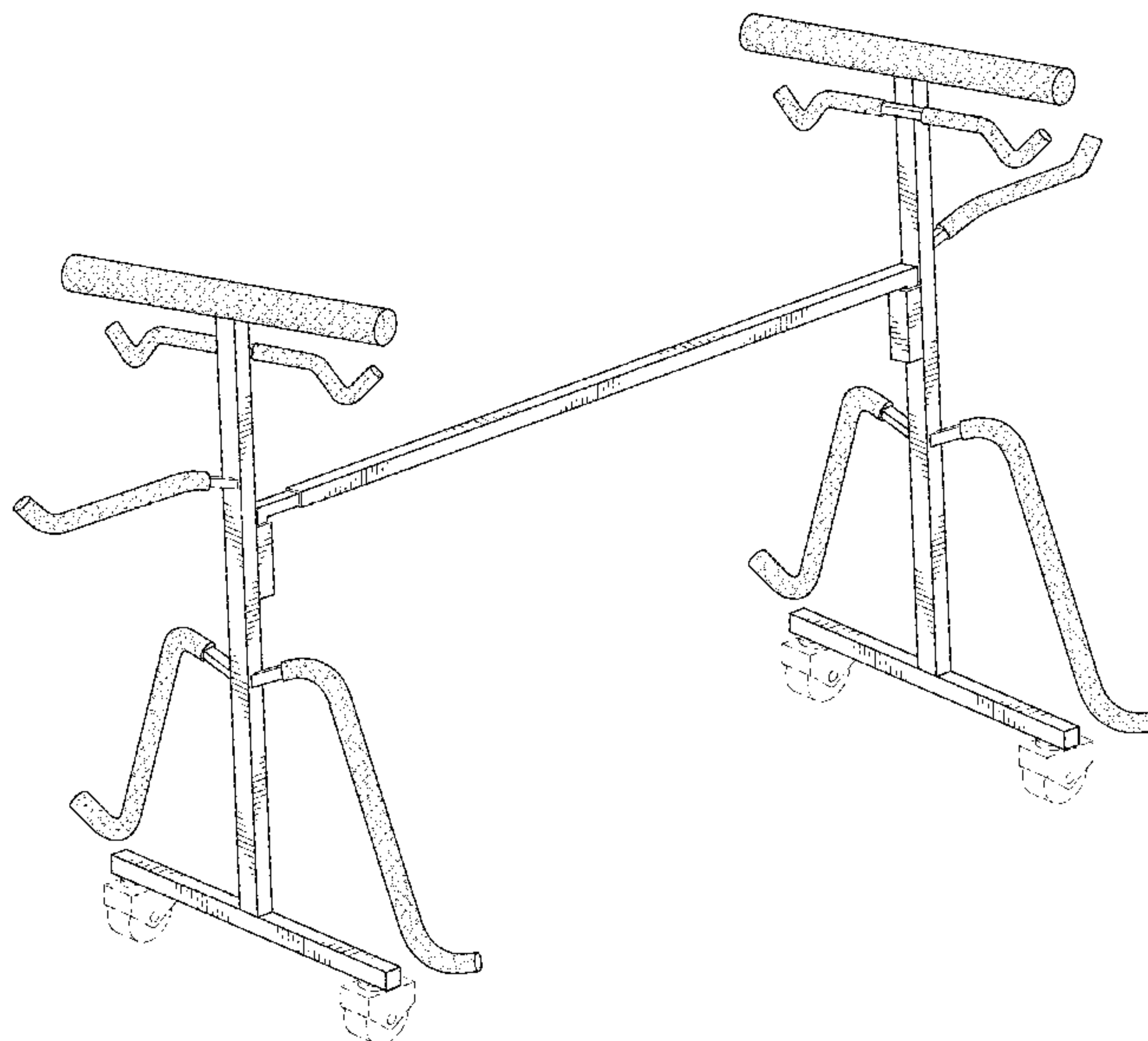
U.S. PATENT DOCUMENTS

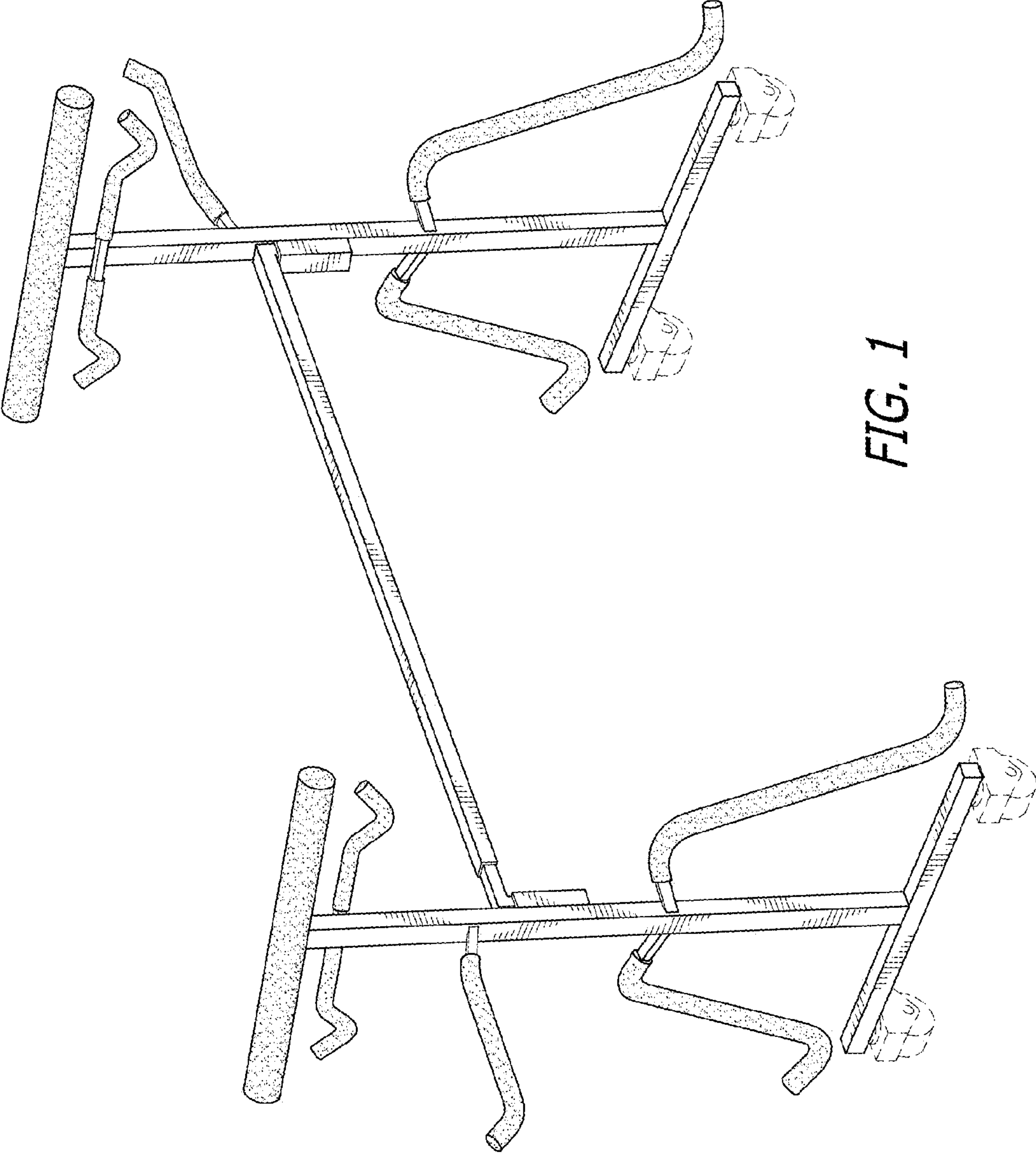
| | | | |
|----------------|---------|-----------------------|----------|
| D312,929 S * | 12/1990 | Nelson | D6/465 |
| D318,196 S * | 7/1991 | Sheng | D6/462 |
| D325,136 S * | 4/1992 | Lucht | D6/465 |
| D414,625 S * | 10/1999 | Stelmarski | D6/411 |
| D416,364 S * | 11/1999 | Newhall | D32/55 |
| D469,975 S * | 2/2003 | Sparkowski | D6/411 |
| D473,073 S * | 4/2003 | Kettering et al. | D6/509 |
| D481,263 S * | 10/2003 | Morgan | D7/601 |
| D483,592 S * | 12/2003 | Spanski et al. | D6/566 |
| 6,672,464 B2 * | 1/2004 | Robertson | 211/59.2 |
| D486,699 S * | 2/2004 | Morgan | D7/601 |
| D494,777 S * | 8/2004 | Walk | D6/465 |
| D498,631 S * | 11/2004 | Anderson et al. | D6/566 |
| D567,540 S * | 4/2008 | Klein et al. | D6/462 |

DESCRIPTION

FIG. 1 is a perspective view of a display rack showing my design;
FIG. 2 is a front view thereof;
FIG. 3 is a back view thereof;
FIG. 4 is a first side view thereof;
FIG. 5 is a second side view thereof;
FIG. 6 is a top view thereof; and,
FIG. 7 is a bottom view thereof.
The broken lines are for the purpose of illustrating the environment of the article only and form no part of the claimed design.

1 Claim, 6 Drawing Sheets





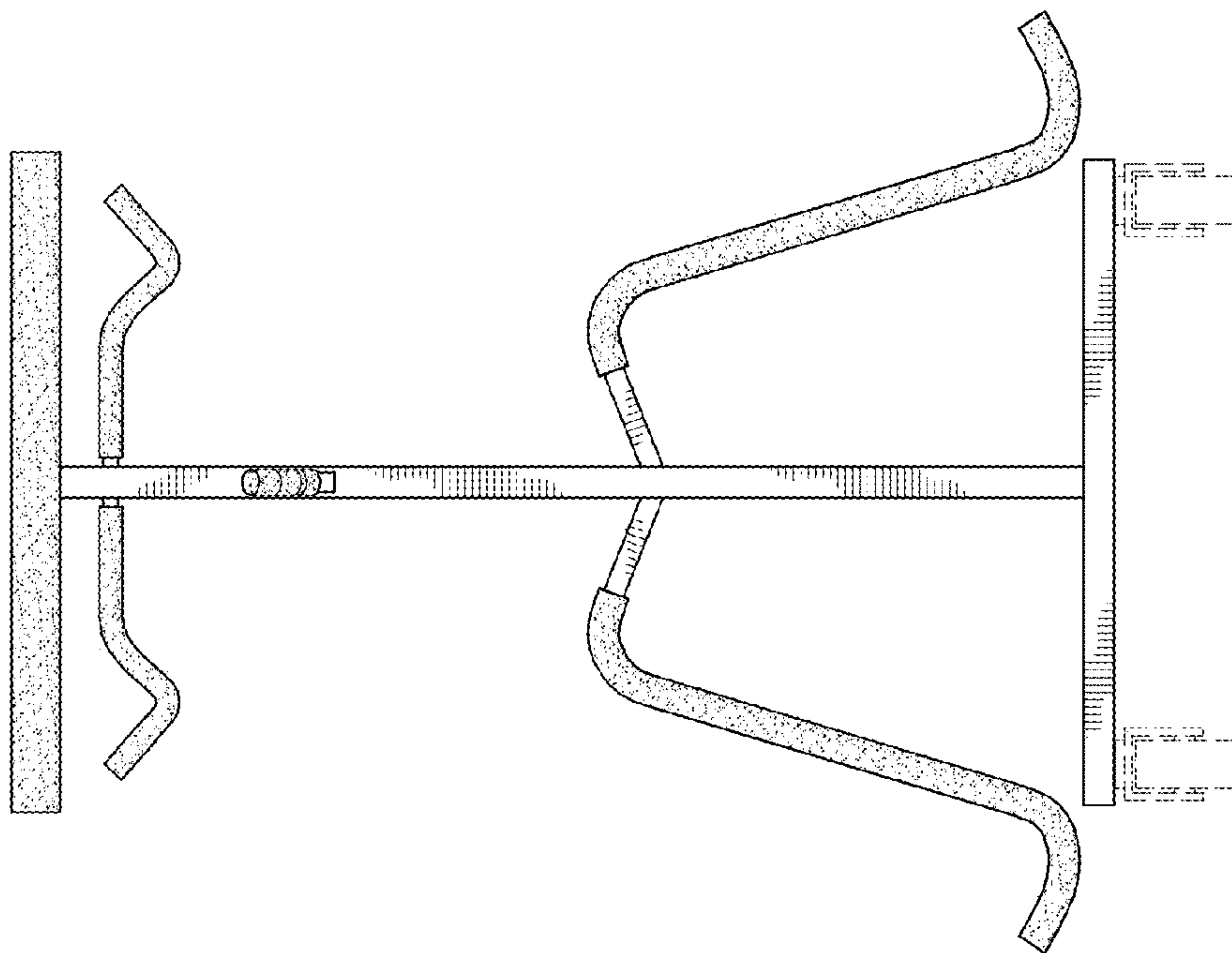


FIG. 3

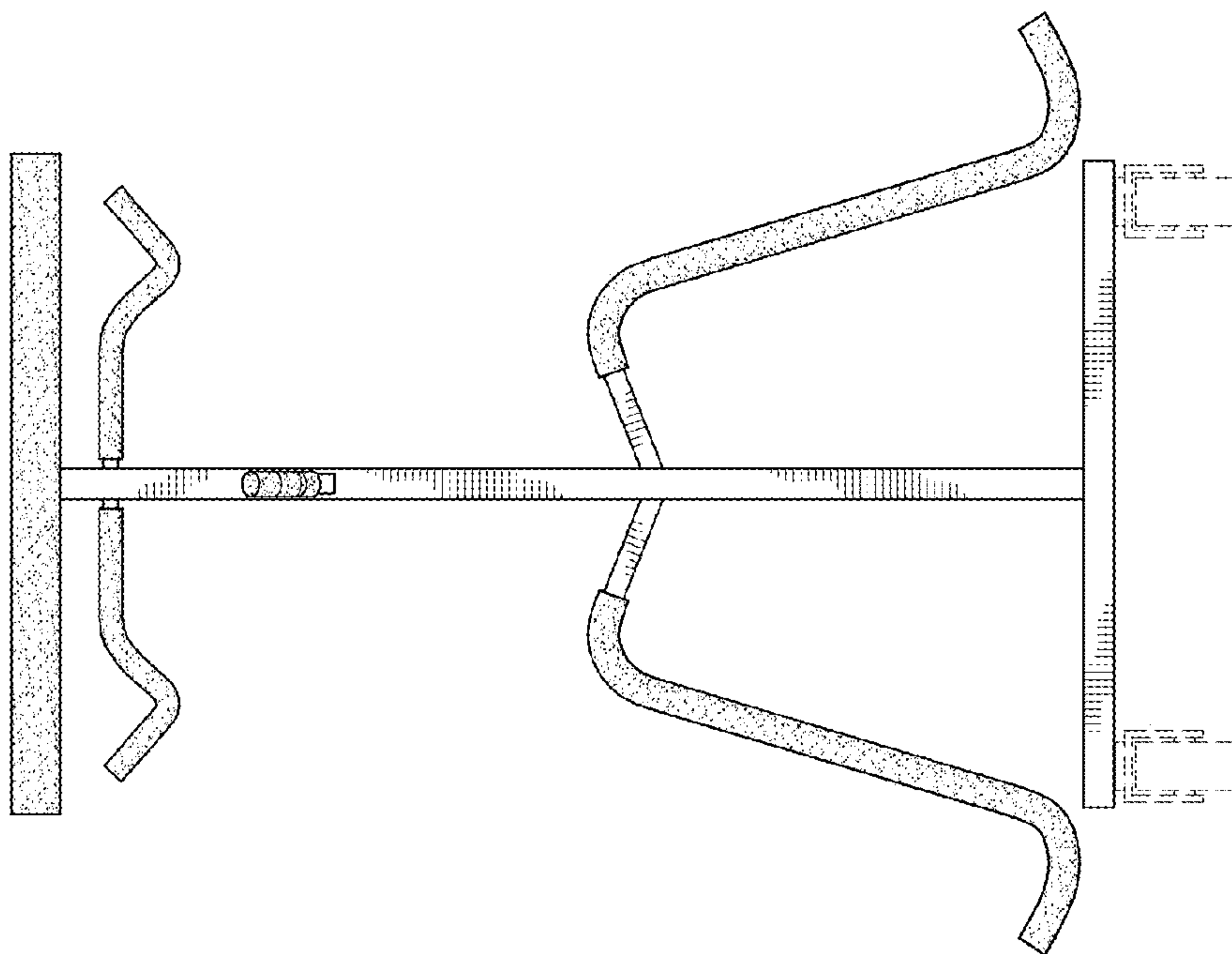


FIG. 2

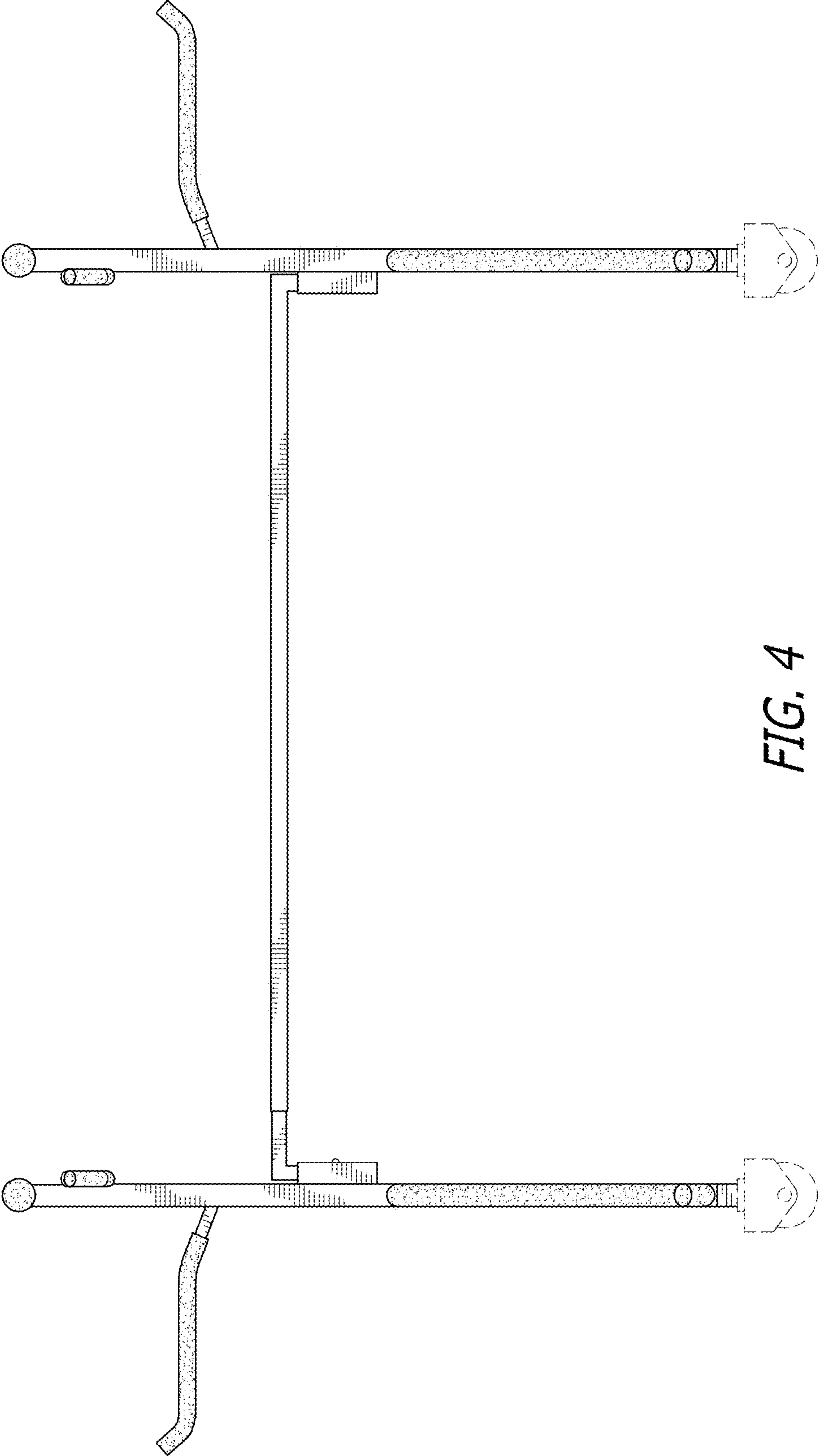


FIG. 4

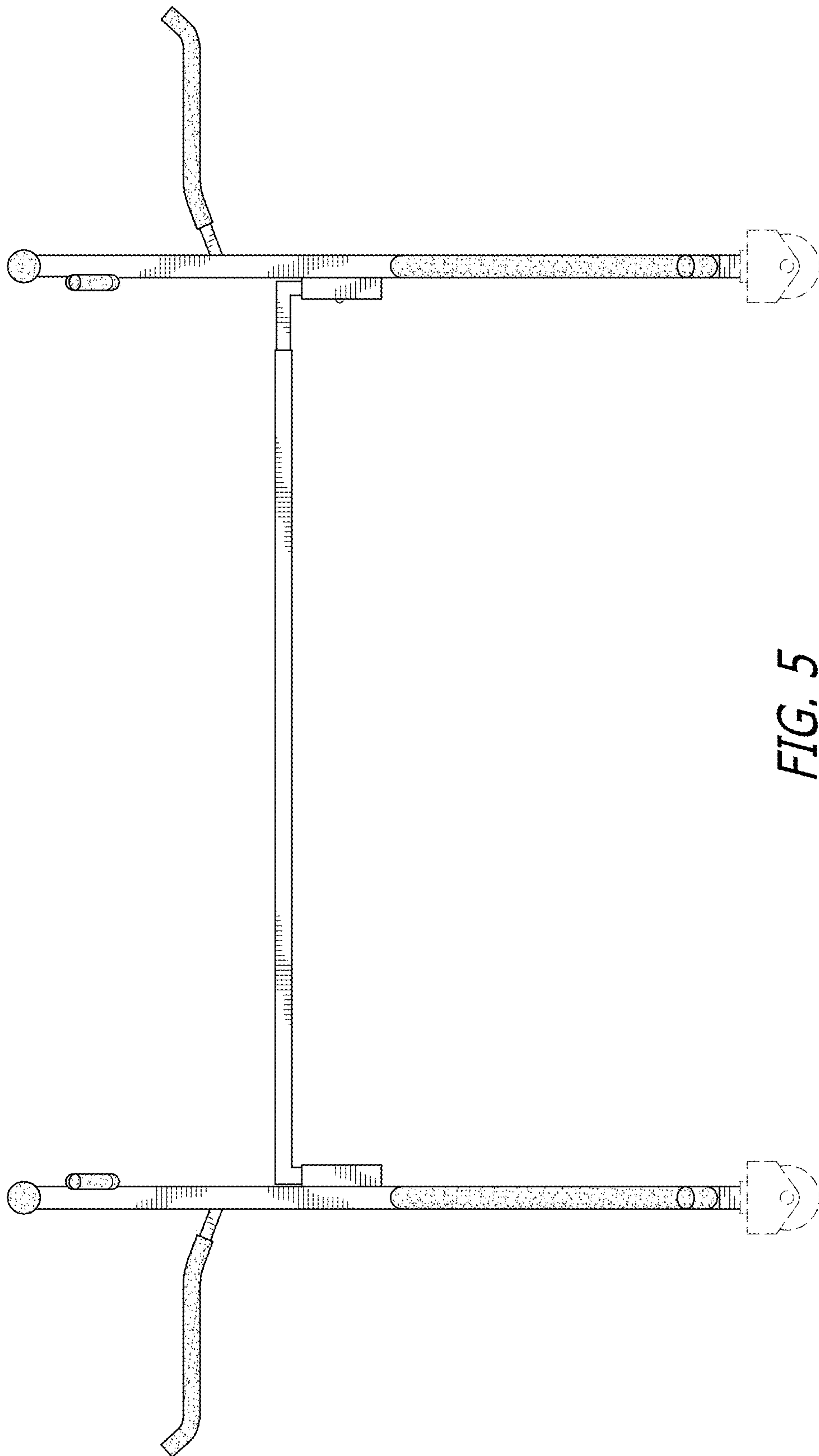


FIG. 5

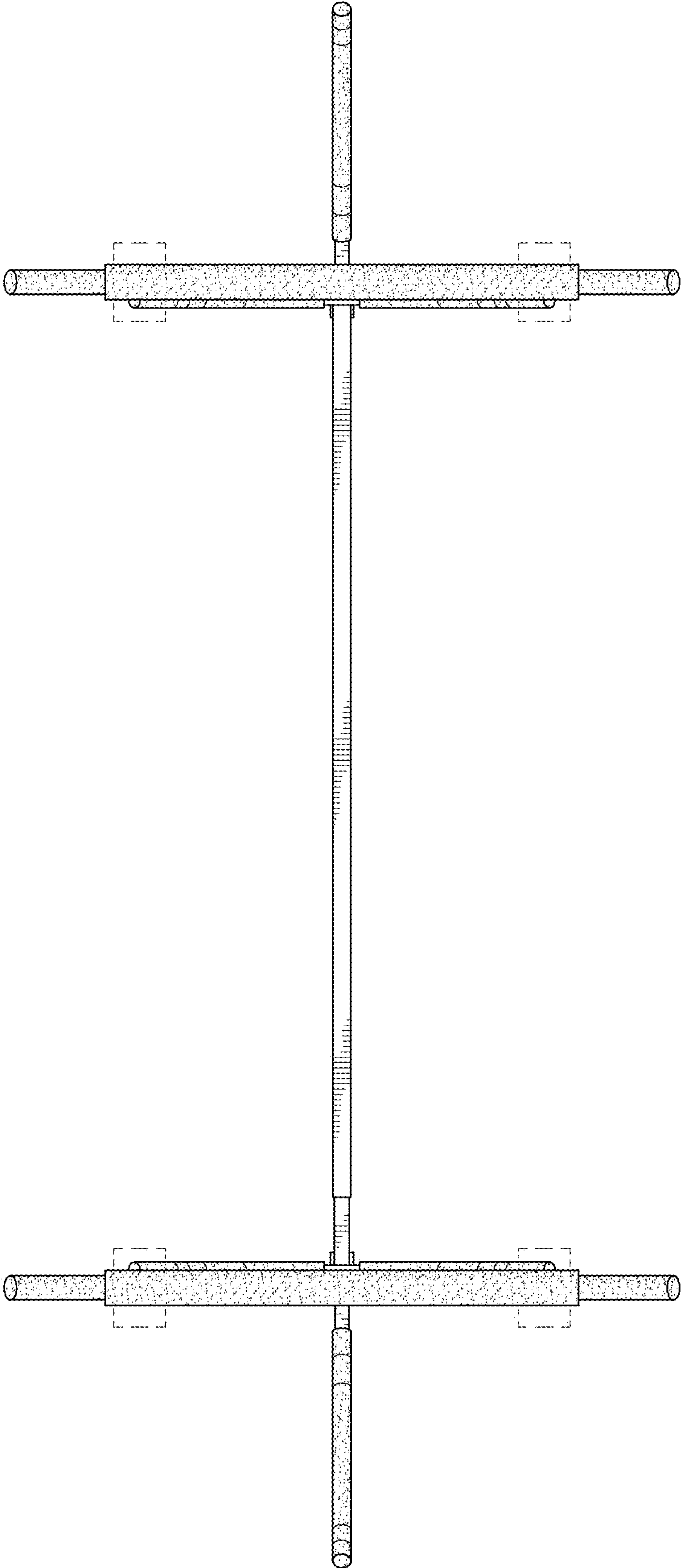


FIG. 6

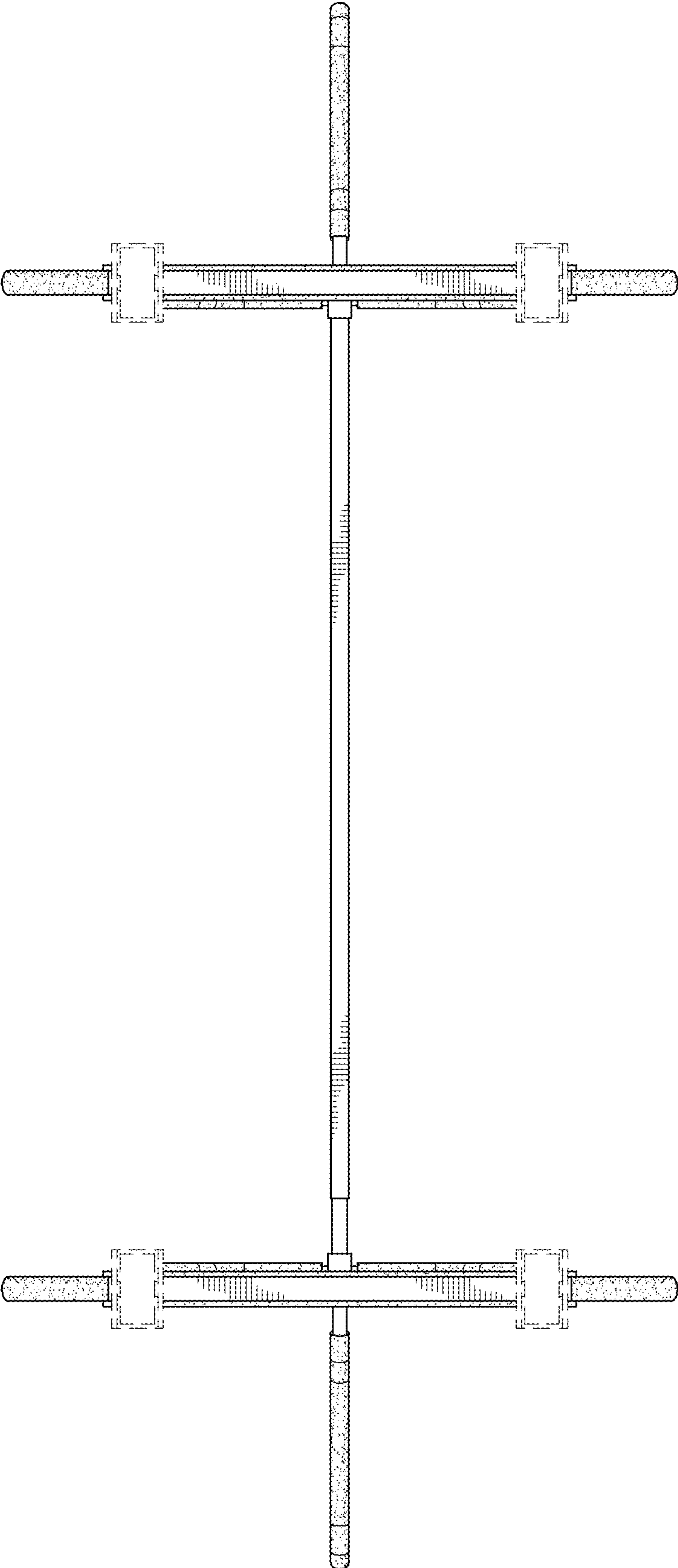


FIG. 7