



US00D707064S

(12) **United States Design Patent**  
**Bovo et al.**

(10) **Patent No.:** **US D707,064 S**  
(45) **Date of Patent:** **\*\* Jun. 17, 2014**

(54) **FURNITURE**

(71) Applicant: **DIEFFEBI S.p.A.**, San Vendemiano, TV (IT)

(72) Inventors: **Alberto Bovo**, Mogliano Veneto (IT);  
**Sandro Manente**, Marghera (IT)

(73) Assignee: **DIEFFEBI S.p.A.**, San Vendemiano, TV (IT)

(\*\*) Term: **14 Years**

(21) Appl. No.: **29/461,440**

(22) Filed: **Jul. 23, 2013**

(30) **Foreign Application Priority Data**

Apr. 23, 2013 (EM) ..... 2225284-0003

(51) **LOC (10) Cl.** ..... **06-04**

(52) **U.S. Cl.**  
USPC ..... **D6/663**

(58) **Field of Classification Search**  
USPC ..... D6/663, 664, 667, 668, 668.1, 668.2,  
D6/671, 671.1, 671.2; 312/138.1, 204,  
312/237, 257.1, 249.4, 330.1, 348.4;  
D3/272, 297

See application file for complete search history.

(56) **References Cited**

U.S. PATENT DOCUMENTS

D144,017	S	*	3/1946	Abbot	.....	D6/667
D407,237	S	*	3/1999	Stangl	.....	D6/667
D410,350	S	*	6/1999	Stangl	.....	D6/667
D507,897	S	*	8/2005	Juneau et al.	.....	D6/663
D566,988	S	*	4/2008	Davis	.....	D6/667
D658,907	S	*	5/2012	Peel	.....	D6/667

\* cited by examiner

*Primary Examiner* — Mimosa De

(74) *Attorney, Agent, or Firm* — Merchant & Gould P.C.

(57) **CLAIM**

The ornamental design for furniture, as shown and described.

**DESCRIPTION**

FIG. 1 is a front perspective view of furniture showing our new design;

FIG. 2 is a front elevational view thereof;

FIG. 3 is a rear elevational view thereof;

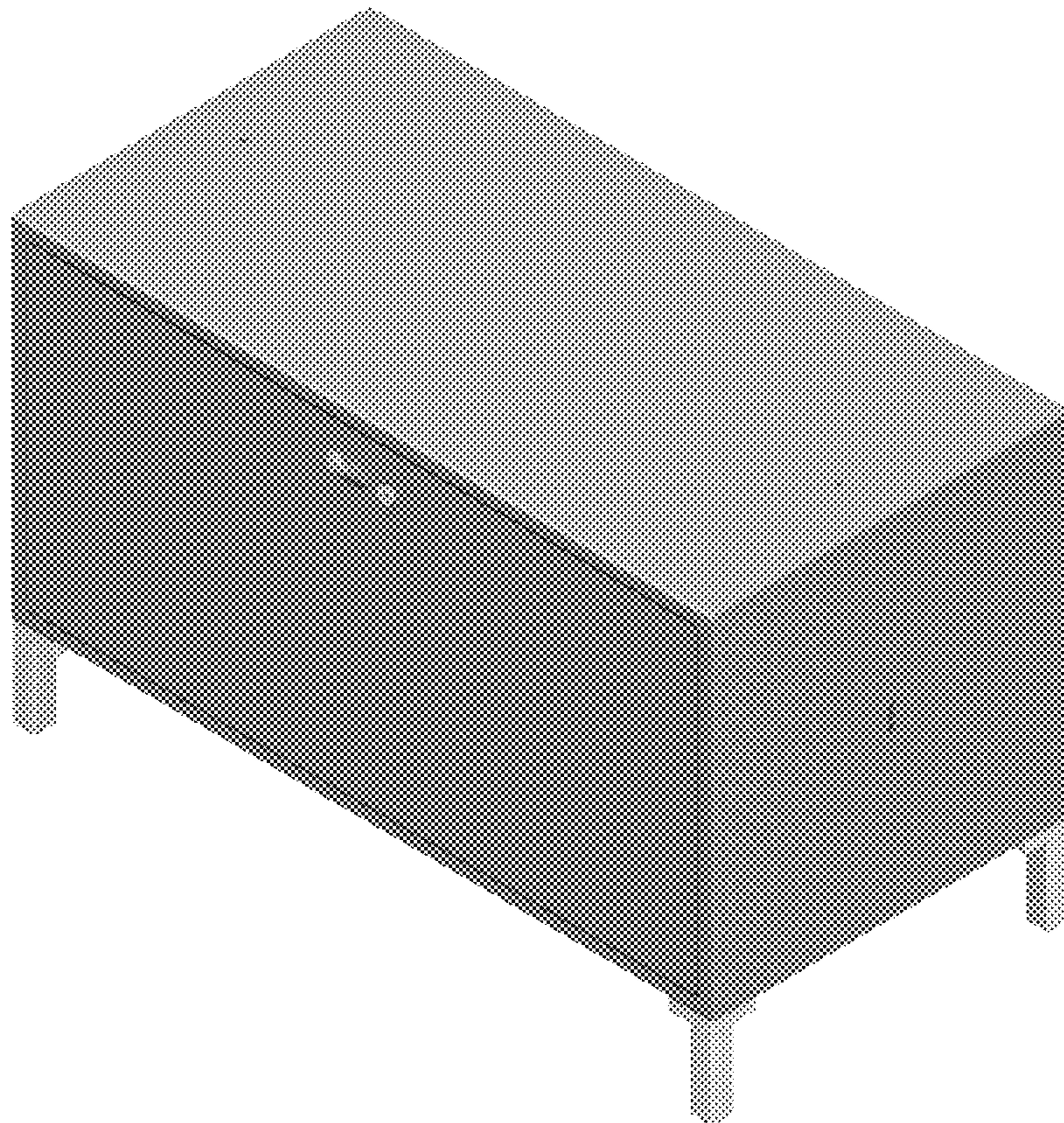
FIG. 4 is a left side view thereof;

FIG. 5 is a right side view thereof;

FIG. 6 is a top plan view thereof; and,

FIG. 7 is a bottom plan view thereof.

**1 Claim, 7 Drawing Sheets**



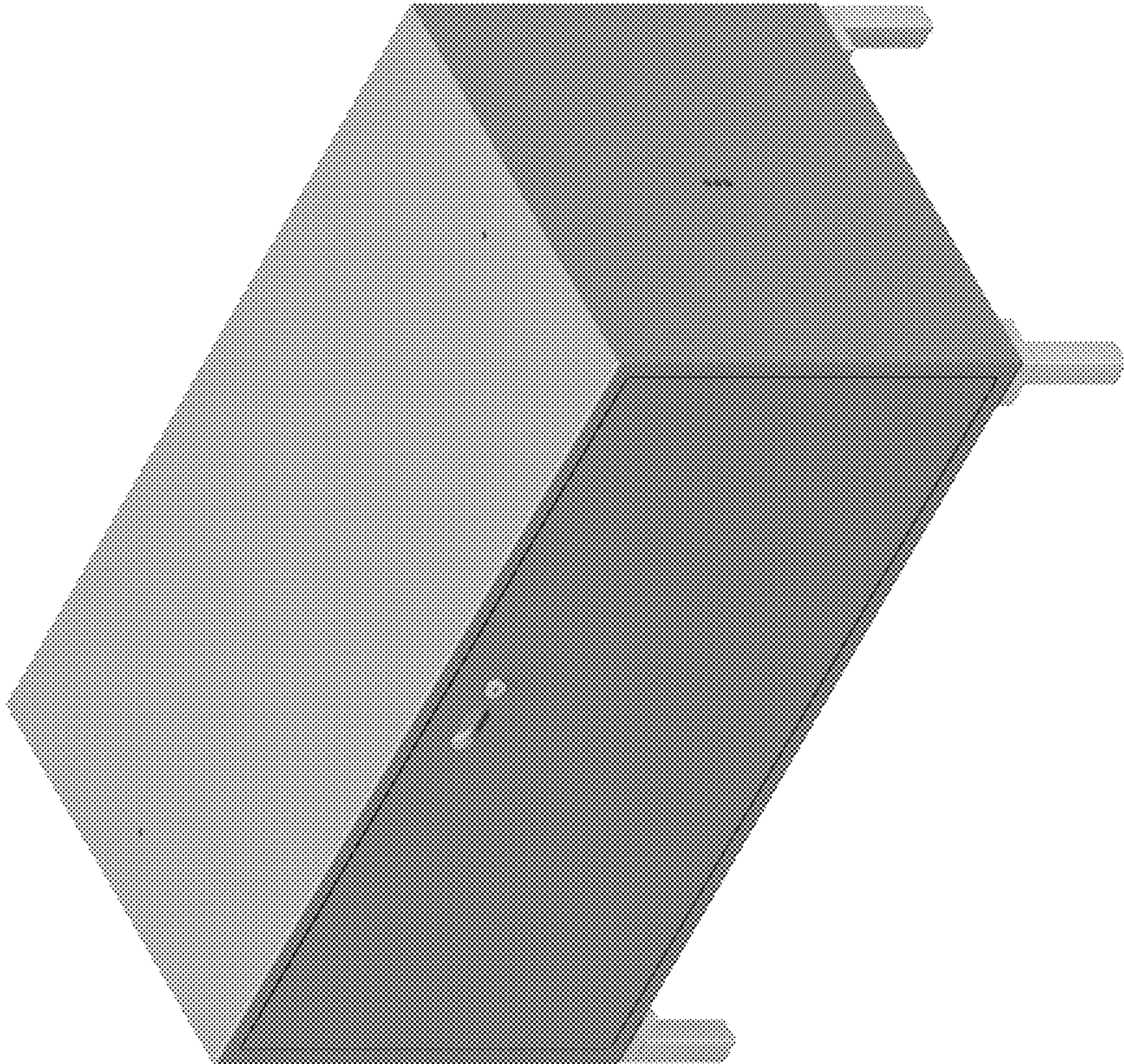


FIG. 1

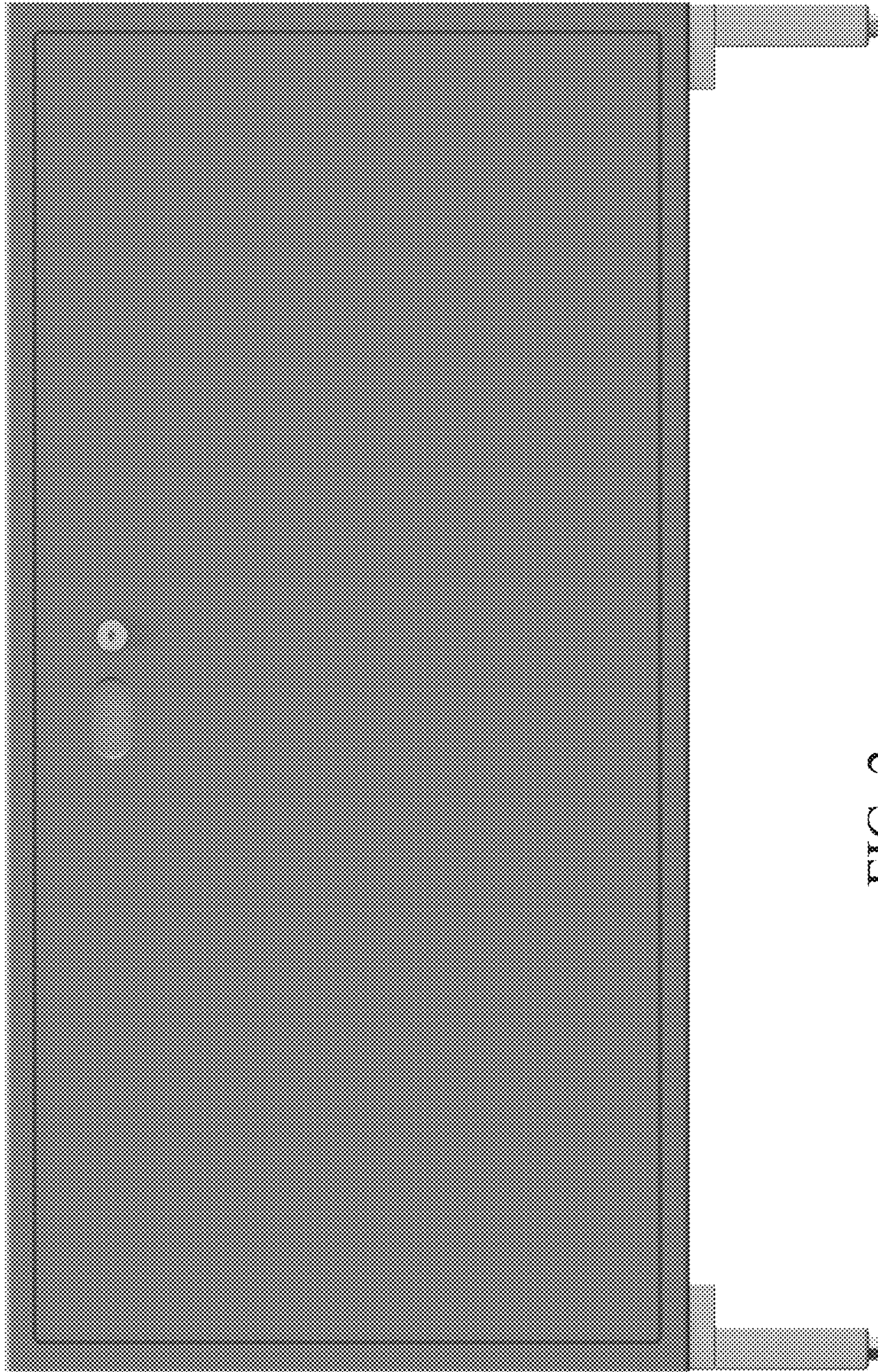


FIG. 2

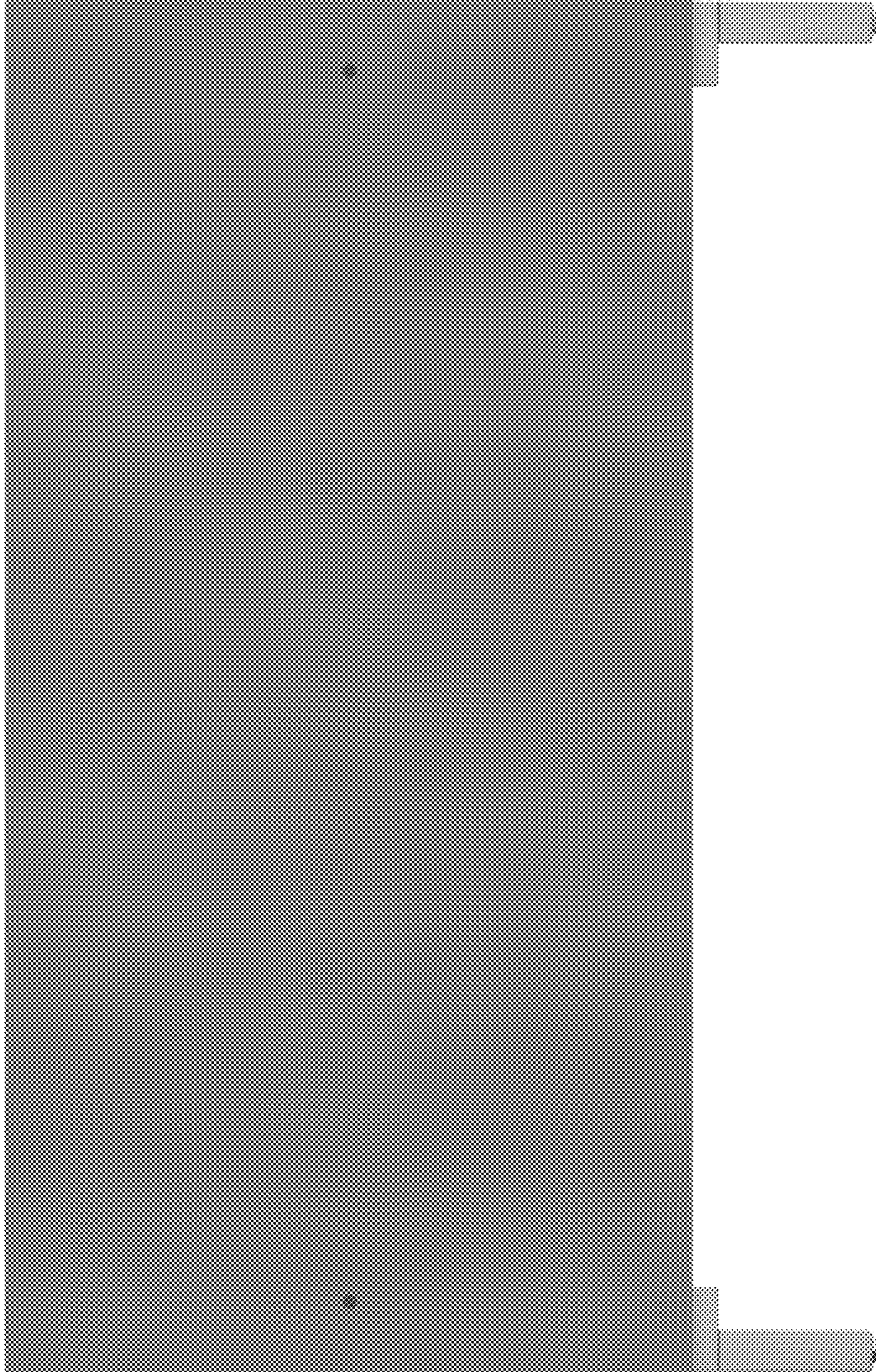


FIG. 3

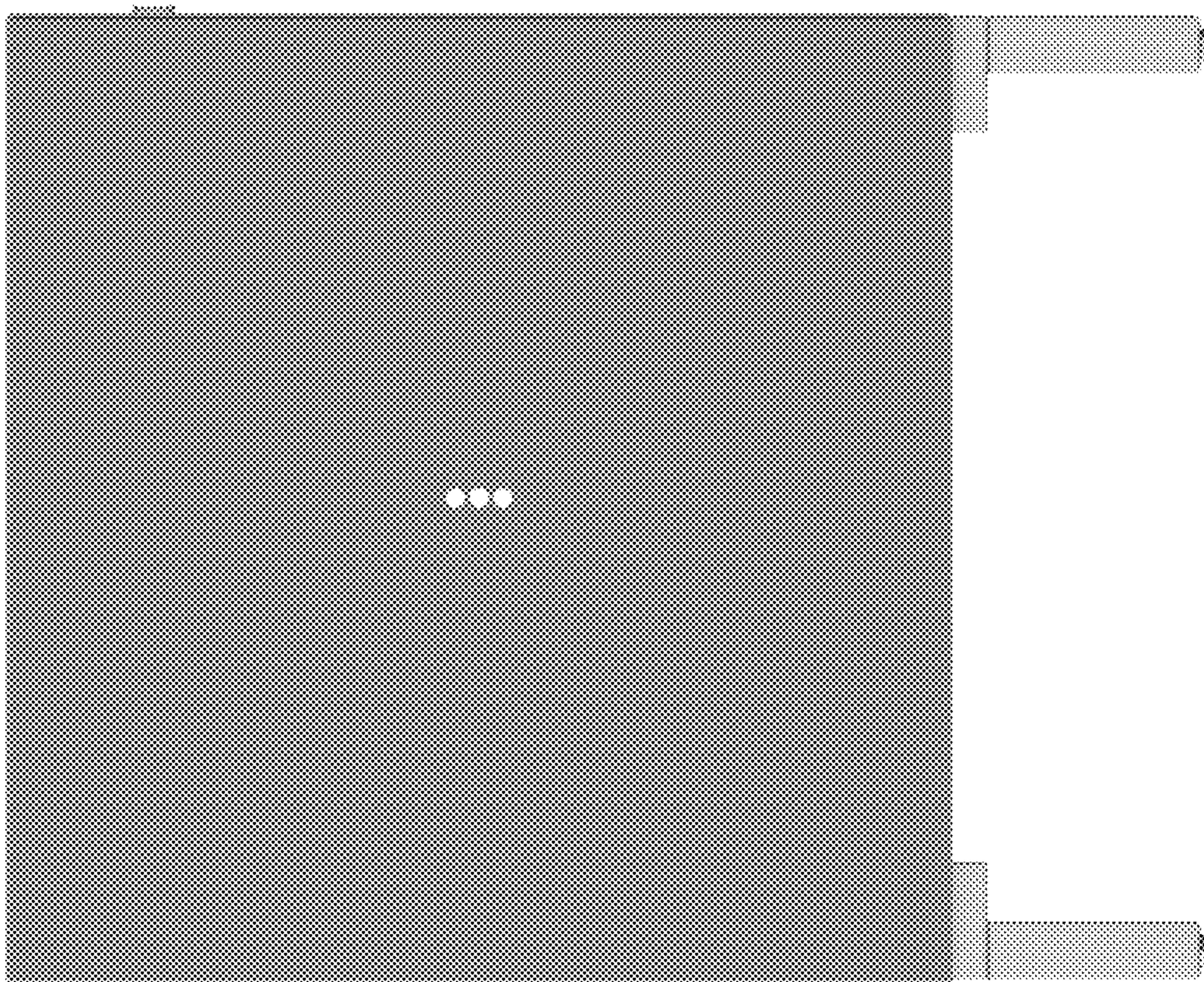


FIG. 4

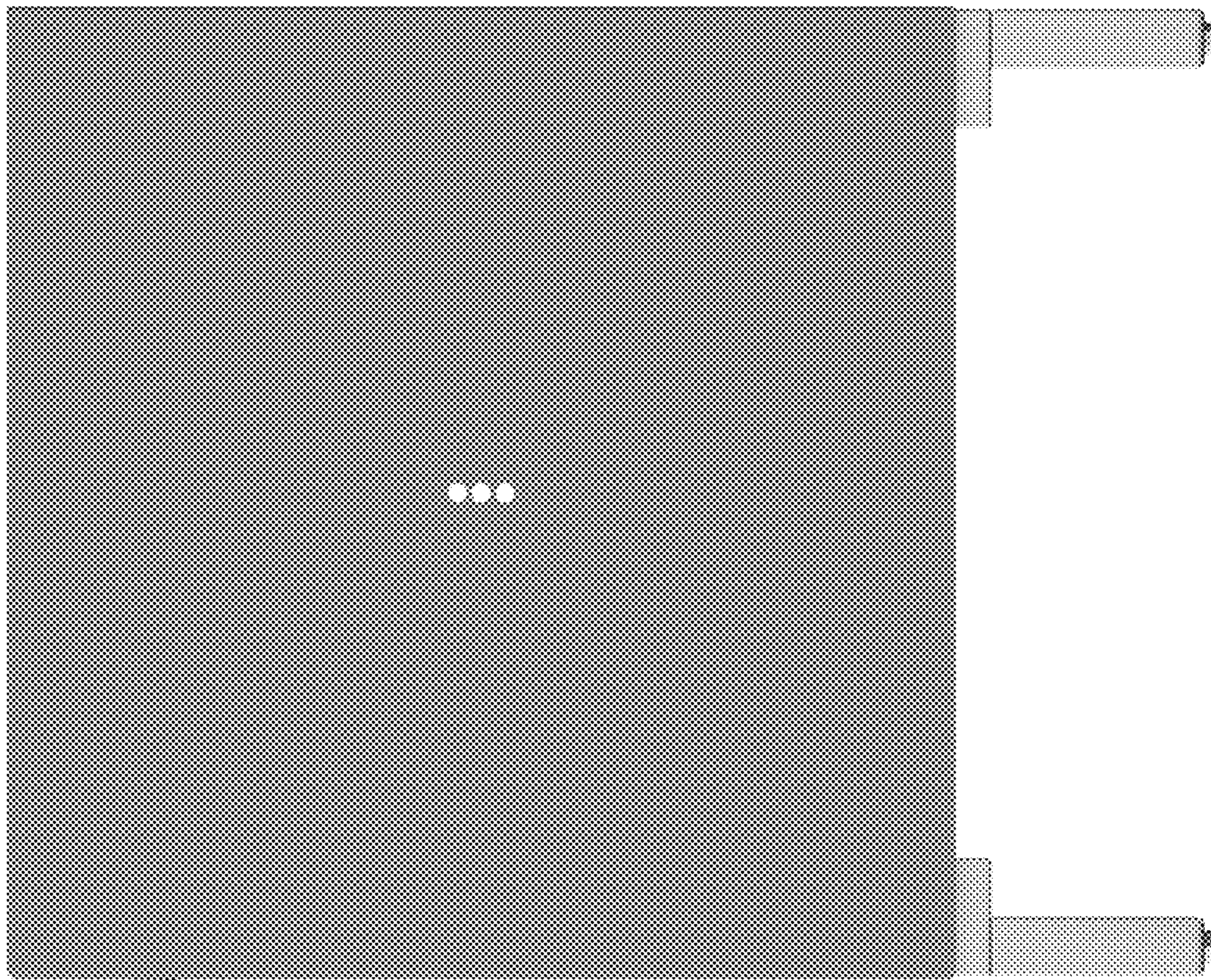


FIG. 5

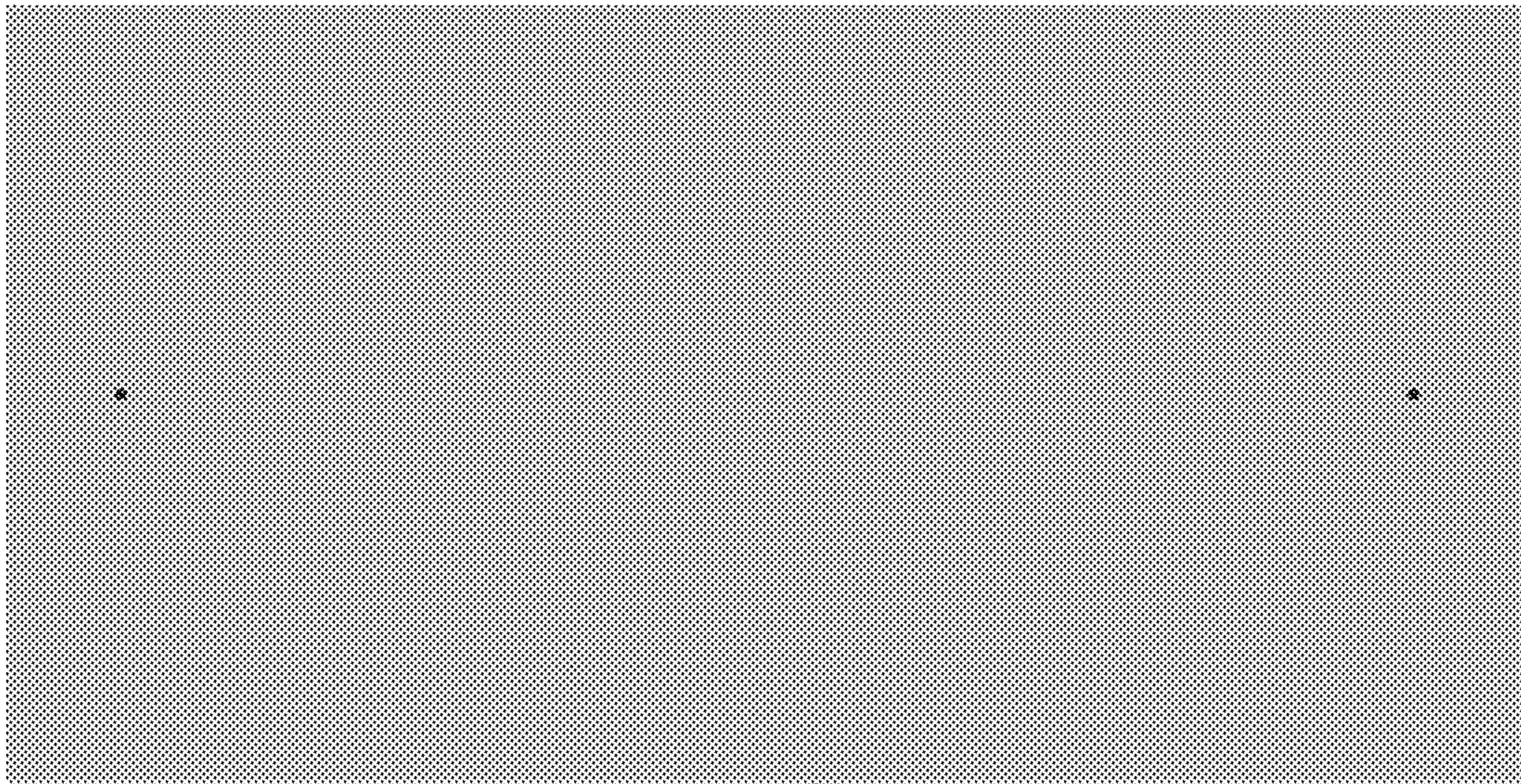


FIG. 6

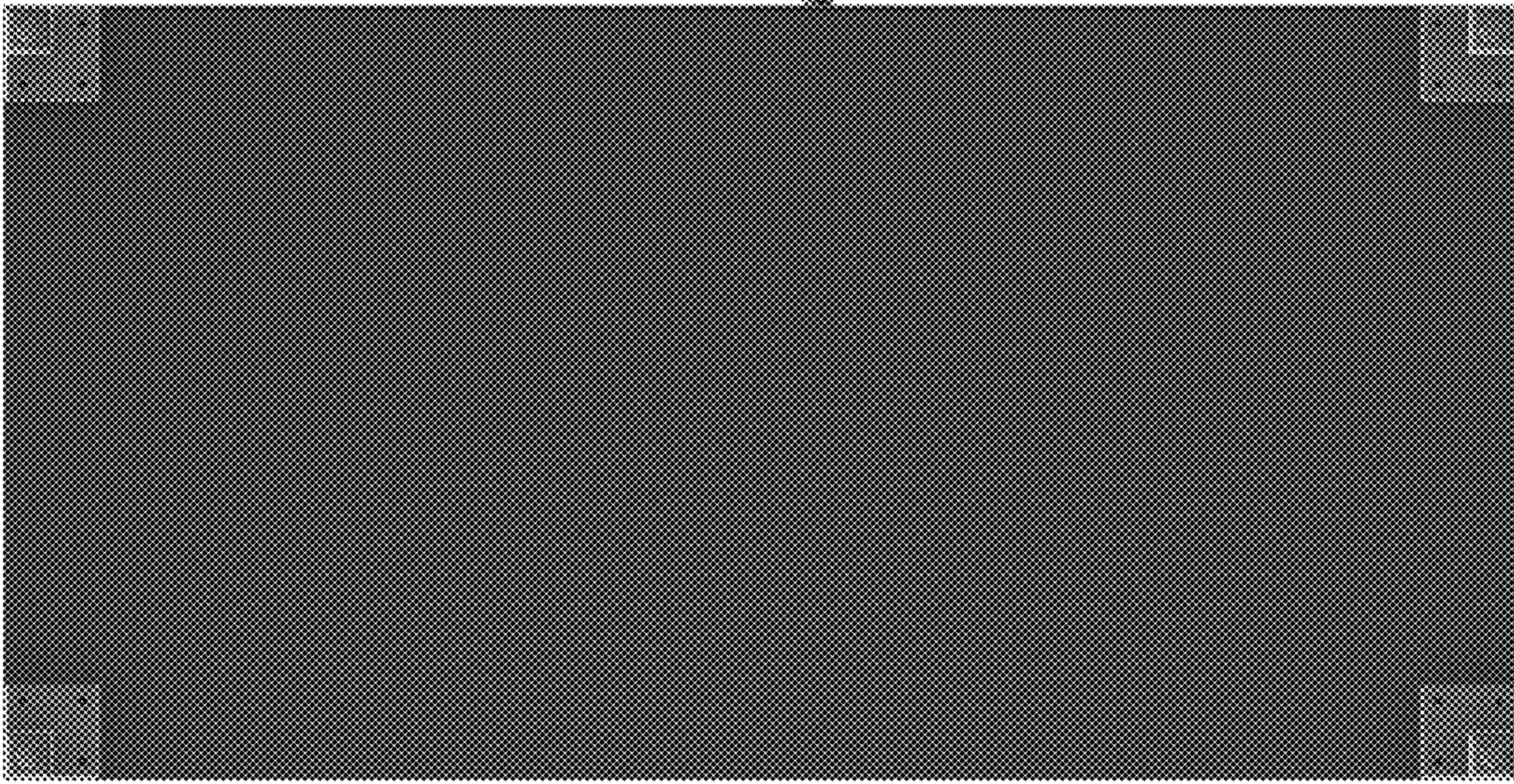


FIG. 7