

US00D707063S

(12) **United States Design Patent**
Daley

(10) **Patent No.:** **US D707,063 S**
(45) **Date of Patent:** **** Jun. 17, 2014**

(54) **VEHICLE SEAT PROTECTOR**
(71) Applicant: **Richard A. Daley**, Charlotte, NC (US)
(72) Inventor: **Richard A. Daley**, Charlotte, NC (US)
(73) Assignee: **Brica, Inc.**, Charlotte, NC (US)
(**) Term: **14 Years**

6,276,752	B1	8/2001	Conte	
6,338,527	B1	1/2002	Toyota et al.	
6,786,546	B2 *	9/2004	McConnell et al. 297/219.12
7,000,984	B1	2/2006	Ward	
7,374,240	B2 *	5/2008	Gold et al. 297/219.12
7,841,658	B1 *	11/2010	Marble 297/224
7,878,588	B2 *	2/2011	Snedeker 297/229
D666,450	S *	9/2012	Weigelt D6/610
2002/0096919	A1	7/2002	Sparks	
2011/0204687	A1	8/2011	Bishop	
2012/0001464	A1	1/2012	Teoh et al.	

(21) Appl. No.: **29/449,770**

* cited by examiner

(22) Filed: **Mar. 15, 2013**

Primary Examiner — Katrina A Betton

(51) **LOC (10) Cl.** **06-13**

(74) *Attorney, Agent, or Firm* — Robert Z. Evora, Esq.;
Wade C. Yamazaki

(52) **U.S. Cl.**
USPC **D6/611**

(58) **Field of Classification Search**
USPC D6/610, 611, 596, 601, 602, 603, 615,
D6/617, 621; D7/332, 334–337;
D12/401–405; 135/87, 88.01, 95;
150/165–167, 158, 154; 280/770;
296/136.01, 136.1, 136.11
See application file for complete search history.

(57) **CLAIM**
The ornamental design for a vehicle seat protector, as shown and described.

DESCRIPTION

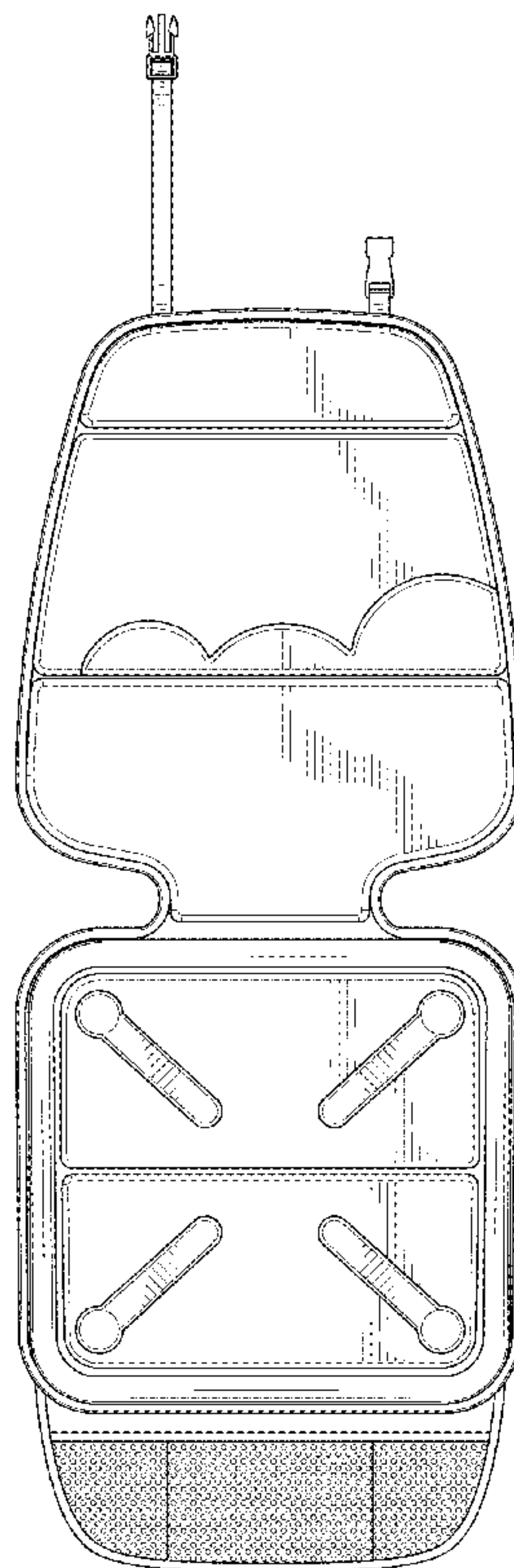
FIG. 1 is a three-dimensional view generally from the top left front of a vehicle seat protector embodying the invention, which is laid out flat;
FIG. 2 is a top plan view thereof;
FIG. 3 is an underside view thereof;
FIG. 4 is a left side elevational view thereof;
FIG. 5 is a right side elevational view thereof;
FIG. 6 is a lower end elevational view thereof; and,
FIG. 7 is an upper end elevational view thereof.

(56) **References Cited**

U.S. PATENT DOCUMENTS

1,954,376	A *	4/1934	Brueckl 297/253
4,383,712	A	5/1983	Kaganas	
4,396,227	A	8/1983	Neilson	
4,666,207	A *	5/1987	Quartano 297/229
5,842,739	A	12/1998	Noble	

1 Claim, 5 Drawing Sheets



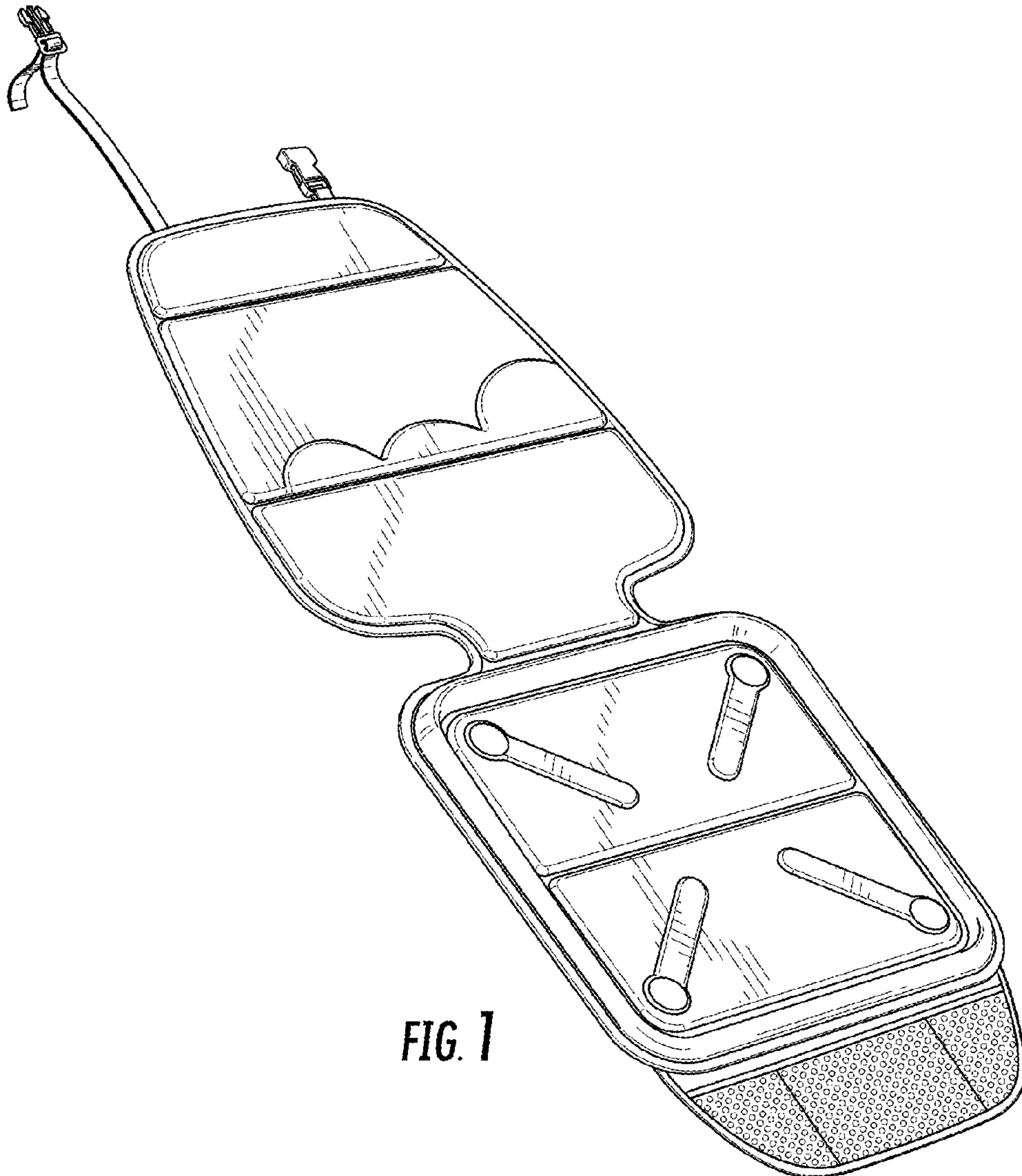


FIG. 1

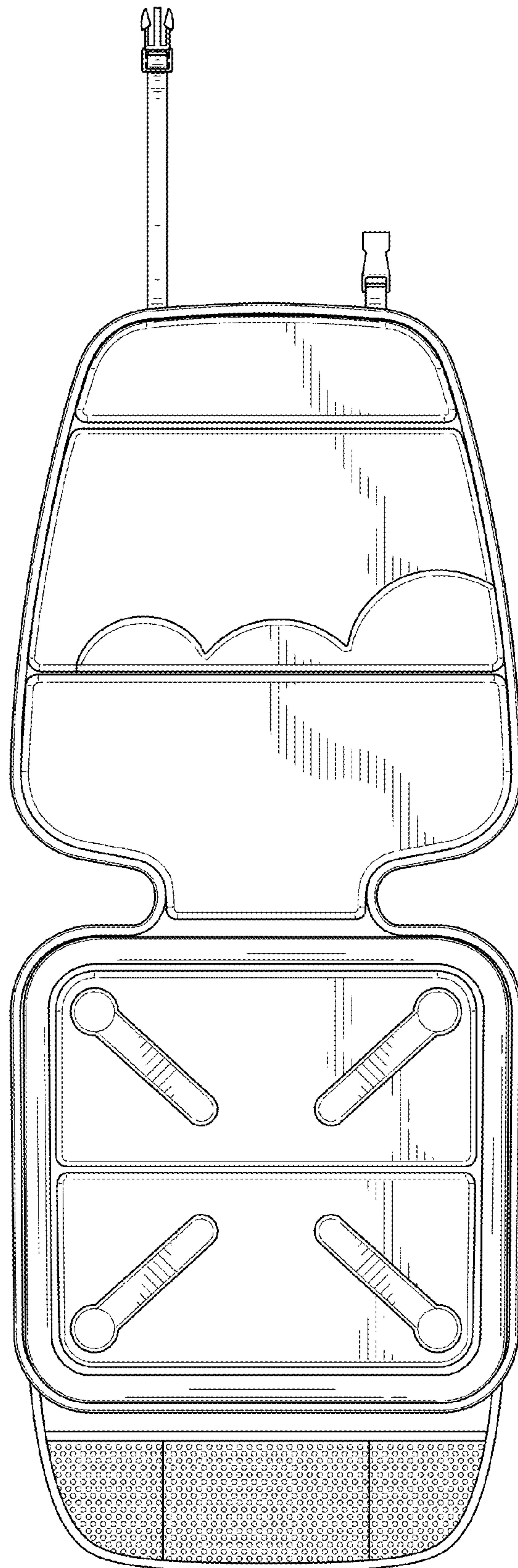


FIG. 2

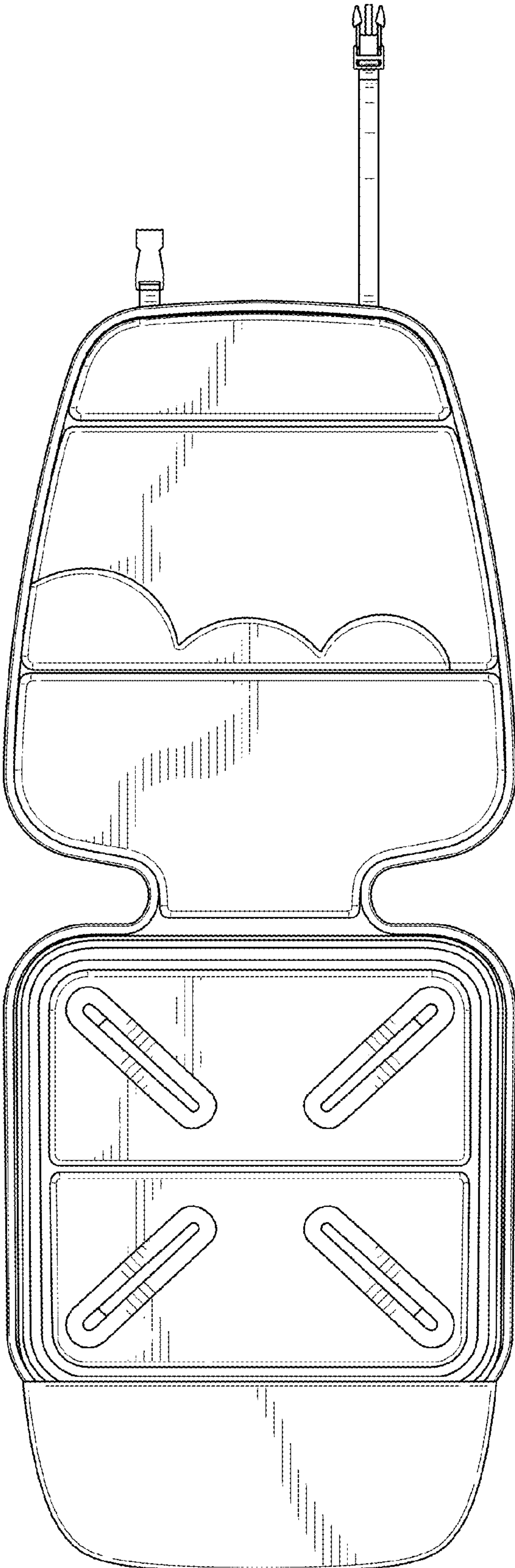


FIG. 3

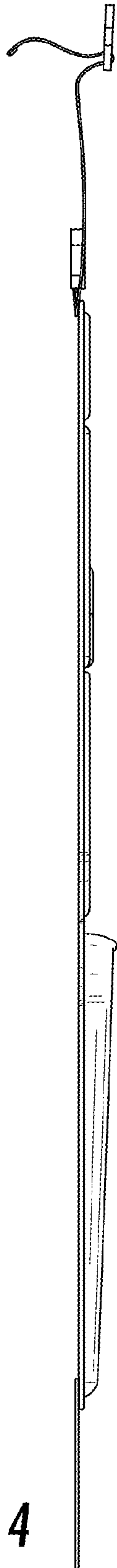


FIG. 4

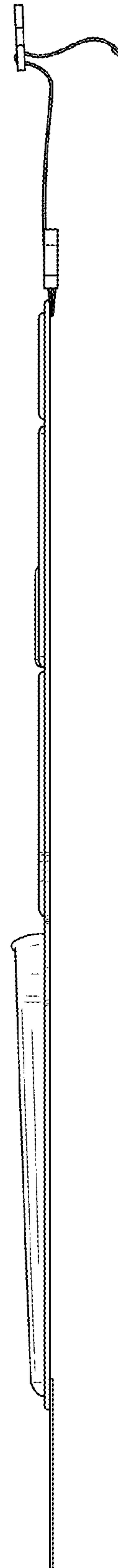


FIG. 5

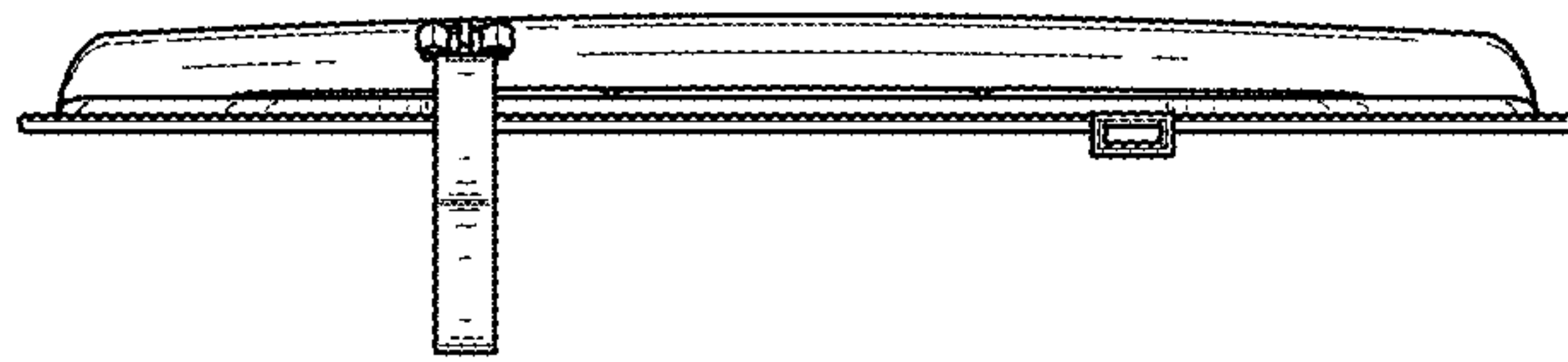


FIG. 6

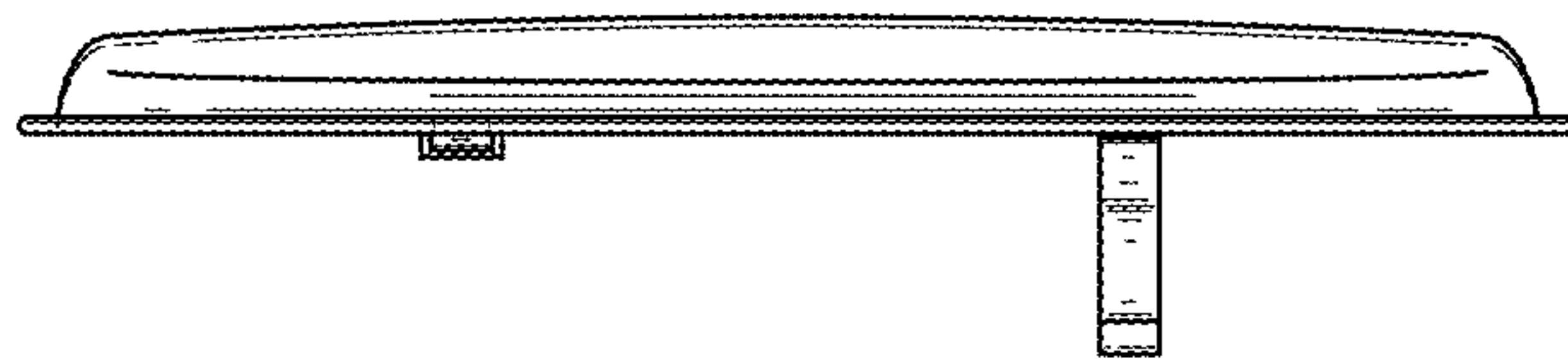


FIG. 7