



US00D707061S

(12) **United States Design Patent**  
**Tjoflat**

(10) **Patent No.:** **US D707,061 S**  
(45) **Date of Patent:** **\*\* Jun. 17, 2014**

- (54) **MATTRESS**
- (71) Applicant: **Dreamwell, Ltd.**, Las Vegas, NV (US)
- (72) Inventor: **Cindy Tjoflat**, Atlanta, GA (US)
- (73) Assignee: **Dreamwell, Ltd.**, Las Vegas, NV (US)
- (\*\*) Term: **14 Years**
- (21) Appl. No.: **29/437,607**
- (22) Filed: **Nov. 19, 2012**
- (51) **LOC (10) Cl.** ..... **06-09**
- (52) **U.S. Cl.**  
USPC ..... **D6/605**
- (58) **Field of Classification Search**  
USPC ..... D6/595, 596, 601, 604, 605, 606;  
5/690, 706, 716, 717, 739, 740, 657.5,  
5/907; D1/100; D28/8.1; D25/113;  
D9/414, 416  
See application file for complete search history.

- D665,615 S \* 8/2012 Frame et al. .... D6/606
- D670,950 S \* 11/2012 Price ..... D6/605
- D674,229 S \* 1/2013 Roberts et al. .... D6/605
- D690,962 S \* 10/2013 Danileson ..... D6/605

\* cited by examiner

*Primary Examiner* — Janice Seeger  
(74) *Attorney, Agent, or Firm* — Cantor Colburn LLP

(57) **CLAIM**

I claim, the ornamental design for a mattress, as shown and described.

**DESCRIPTION**

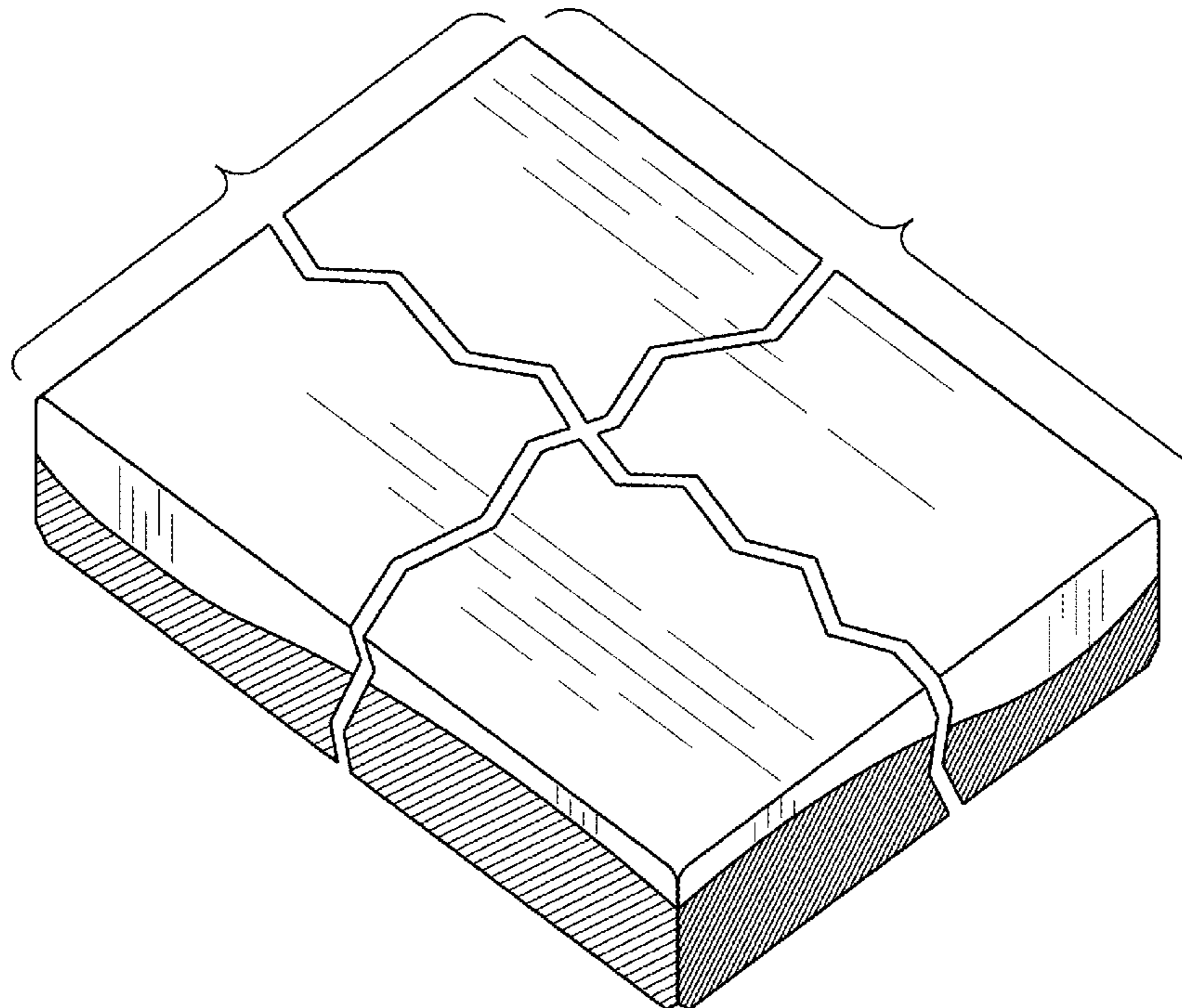
FIG. 1 is a perspective view of a mattress and foundation, showing my new design;  
 FIG. 2 is a front elevational view of the mattress shown in FIG. 1;  
 FIG. 3 is a left side elevational view of the mattress shown in FIG. 1; and,  
 FIG. 4 is a top down view thereof.  
 The rear elevational view of the illustrated mattress is not shown because it is a mirror image of the proximal side view shown in FIG. 2.  
 The right side elevational view of the illustrated mattress is not shown because it is mirror image of the left side shown in FIG. 3.  
 The mattress is shown with a symbolic break in its length and width. The appearance of any portion of the article between the break lines forms no part of the claimed design.

**1 Claim, 2 Drawing Sheets**

(56) **References Cited**

U.S. PATENT DOCUMENTS

- D218,401 S \* 8/1970 Segal ..... D9/414
- D479,082 S 9/2003 Daughtery et al.
- D566,448 S \* 4/2008 Ridder ..... D6/601
- D616,236 S 5/2010 Morrison
- D662,753 S 7/2012 Shive
- D662,754 S 7/2012 Shive
- D663,152 S 7/2012 Shive



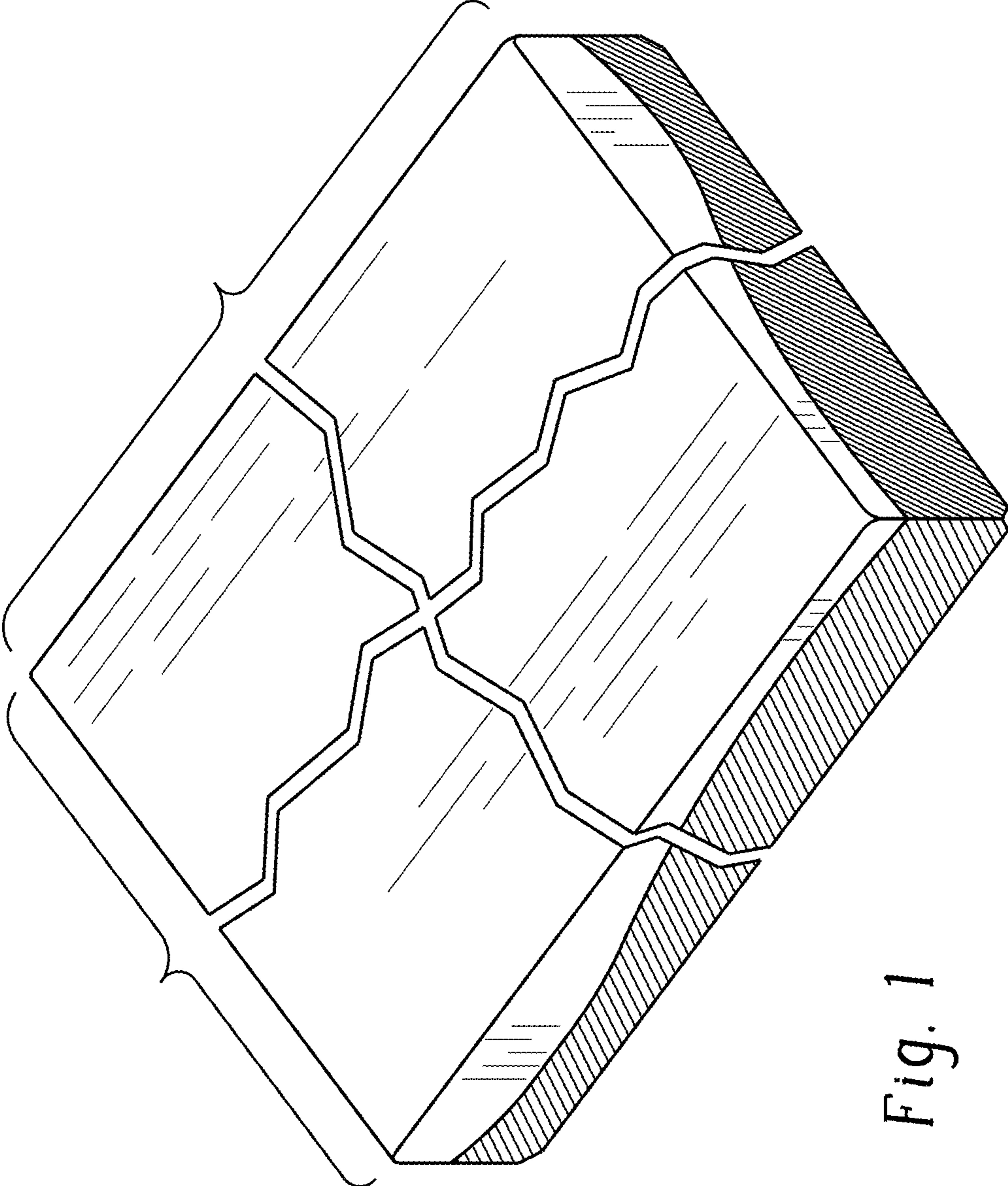


Fig. 1

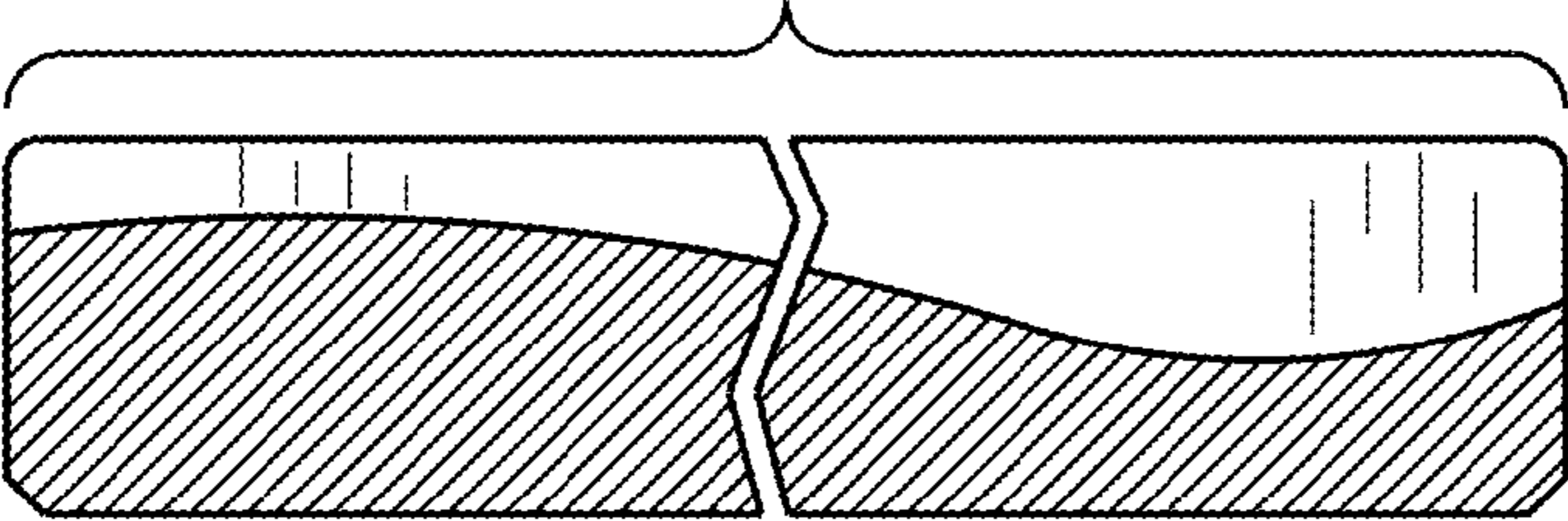


Fig. 2

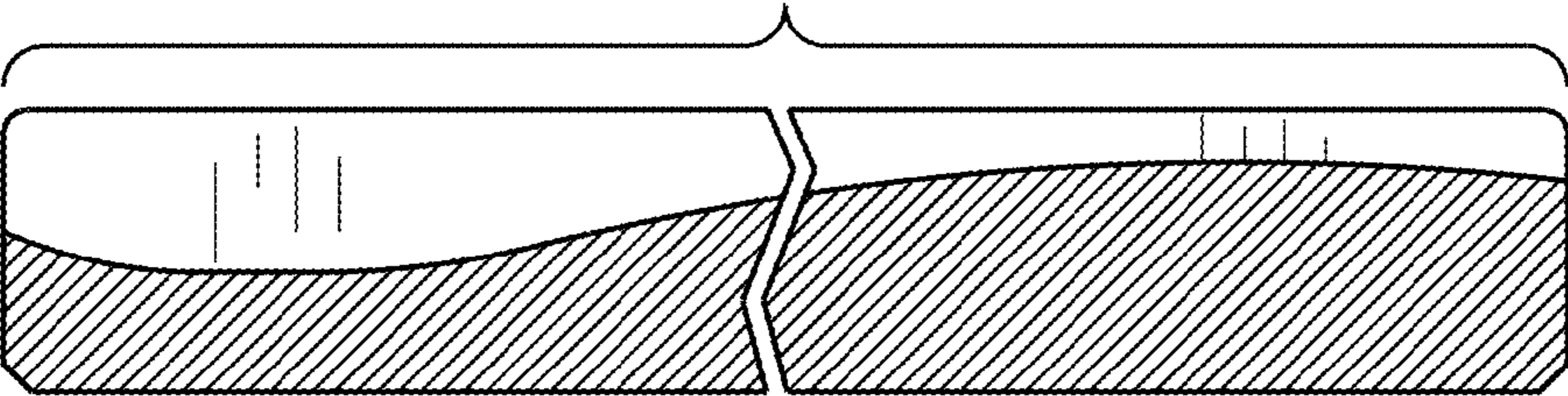


Fig. 3

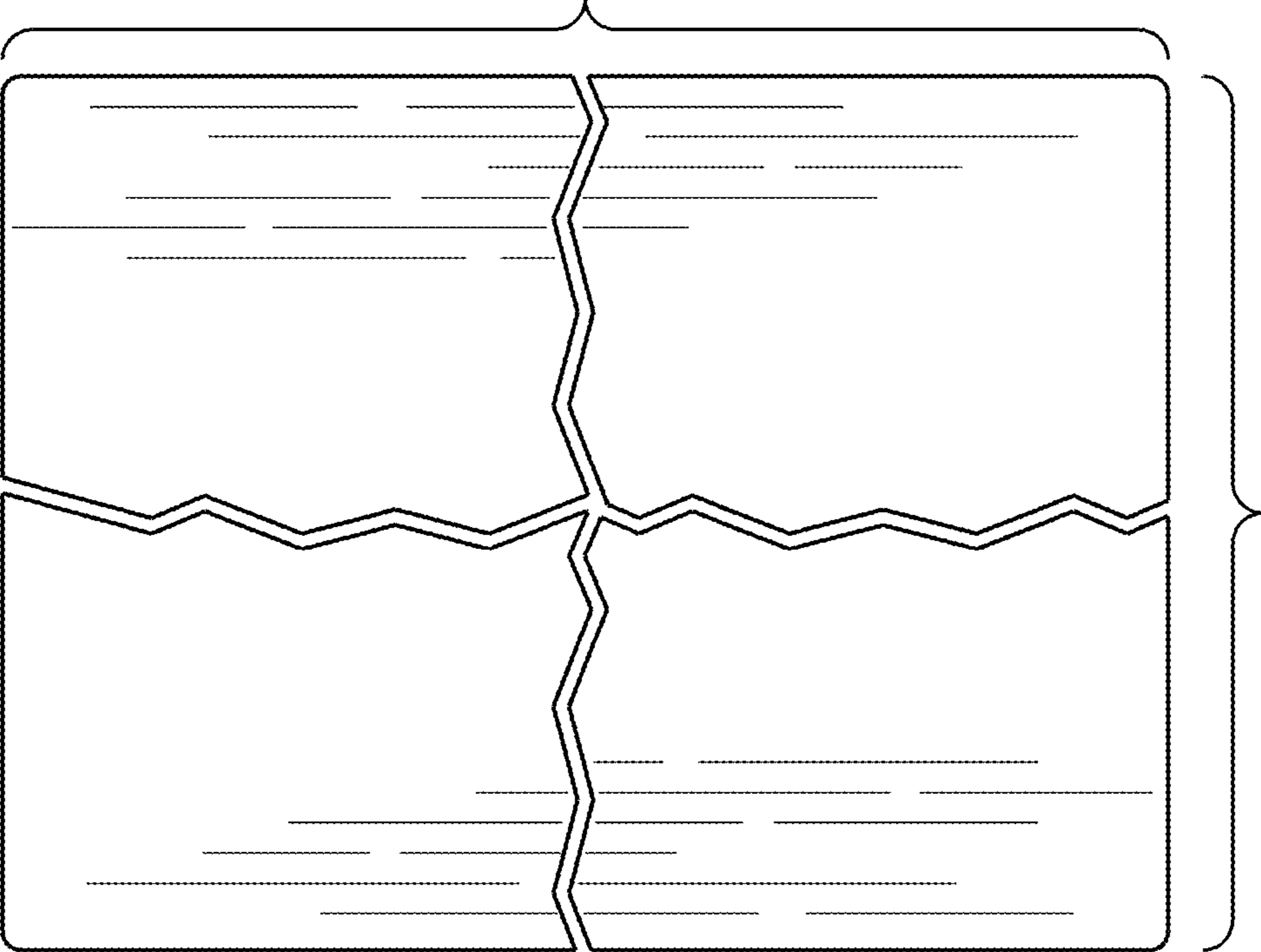


Fig. 4