



US00D707056S

(12) **United States Design Patent**
Gilbert et al.

(10) **Patent No.:** **US D707,056 S**
(45) **Date of Patent:** **** Jun. 17, 2014**

- (54) **ACCESSORY POST**
- (71) Applicants: **Christopher Jon Gilbert**, Moreland Hills, OH (US); **Jennifer P. Sedwick**, Lakewood, OH (US)
- (72) Inventors: **Christopher Jon Gilbert**, Moreland Hills, OH (US); **Jennifer P. Sedwick**, Lakewood, OH (US)
- (73) Assignee: **Moen Incorporated**, North Olmsted, OH (US)
- (**) Term: **14 Years**
- (21) Appl. No.: **29/443,129**
- (22) Filed: **Jan. 14, 2013**
- (51) **LOC (10) Cl.** **23-02**
- (52) **U.S. Cl.**
USPC **D6/524; D6/550**
- (58) **Field of Classification Search**
USPC D6/518-524, 546-550; D8/300, 370, D8/315; 108/28-29; 211/13.1, 16, 85.5, 211/86.01, 87.01, 88.04, 100, 105.1, 105.2, 211/106, 113, 123, 181.1, 182-183; 248/49, 175, 176.1, 200, 201, 205.1, 248/251, 302, 309.1, 315; 242/570, 590, 242/595-598
See application file for complete search history.

- 4,498,654 A 2/1985 Cooper
- D290,869 S 7/1987 Paul
- D318,968 S 8/1991 Poulson
- D334,315 S 3/1993 Bengtson
- 5,373,950 A 12/1994 Marc
- D454,745 S 3/2002 Wright
- D466,734 S 12/2002 Moore
- D466,741 S 12/2002 Moore
- D473,932 S 4/2003 Caplow
- D478,441 S 8/2003 Marks et al.
- D478,755 S 8/2003 Moore
- D492,529 S 7/2004 Chen

(Continued)

OTHER PUBLICATIONS

Paul Associates Catalogue "Olympia" design bracket 3210.*

(Continued)

Primary Examiner — Brian N Vinson

(74) *Attorney, Agent, or Firm* — Calfee, Halter & Griswold LLP

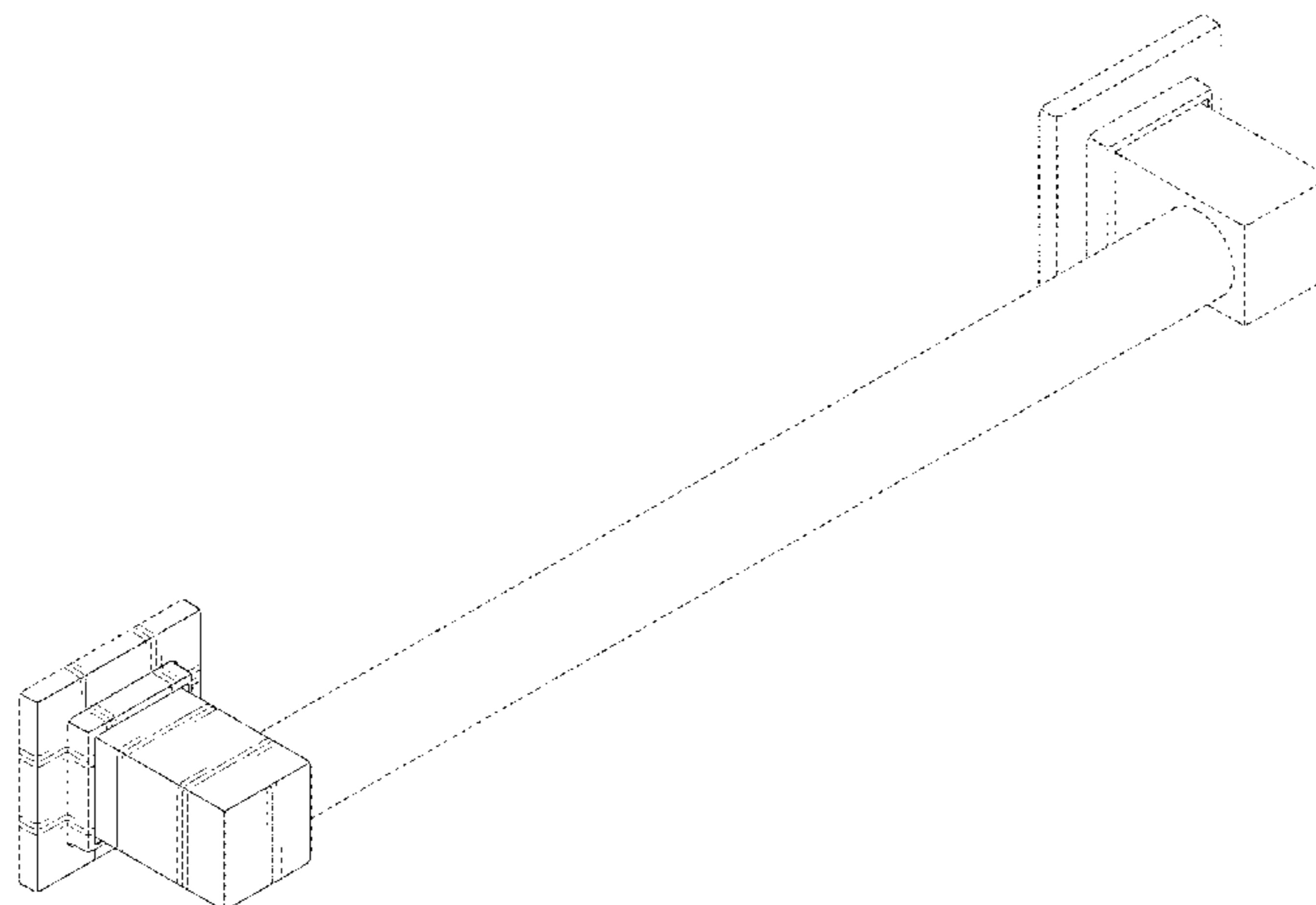
(57) **CLAIM**

The ornamental design for an accessory post, as shown and described.

DESCRIPTION

FIG. 1 is a perspective view of an accessory post of the new design;
 FIG. 2 is another perspective view of the accessory post of FIG. 1;
 FIG. 3 is a front elevational view of the accessory post of FIG. 1;
 FIG. 4 is a left side elevational view of the accessory post of FIG. 1;
 FIG. 5 is a right side elevational view of the accessory post of FIG. 1; and,
 FIG. 6 is a top plan view of the accessory post of FIG. 1, the bottom plan view being a mirror image thereof.
 The portions of the Figures shown in broken lines are not part of the claimed design and are for illustration only.

1 Claim, 3 Drawing Sheets



(56)

References Cited

U.S. PATENT DOCUMENTS

D498,099 S * 11/2004 Chen D6/524
 D516,350 S 3/2006 Chen
 D521,292 S 5/2006 Ferrer Beltran
 D543,436 S 5/2007 Ricereto
 D550,009 S 9/2007 Rexach
 D554,403 S 11/2007 Xiao
 D563,131 S 3/2008 Ricereto
 D564,642 S 3/2008 Pipe
 D566,815 S 4/2008 Wang
 D568,967 S 5/2008 Williams et al.
 D569,670 S 5/2008 Chen
 D569,704 S 5/2008 Ricereto
 D570,451 S 6/2008 Dolan
 D573,823 S 7/2008 Ko
 D579,251 S 10/2008 Dolan
 D580,202 S * 11/2008 Dolan D6/549
 D581,020 S 11/2008 Dolan
 D581,491 S 11/2008 Yuan
 D589,326 S 3/2009 Mattson et al.

D598,270 S 8/2009 Hanes
 D600,054 S 9/2009 Hanes
 D600,055 S * 9/2009 Hanes D6/523
 D620,562 S 7/2010 Hanna
 D620,563 S 7/2010 Hanna
 D621,478 S 8/2010 Kulig
 D627,858 S 11/2010 Hanna
 D635,005 S 3/2011 McConnell
 D648,832 S 11/2011 Downey
 D661,146 S 6/2012 Gilbert
 D663,805 S 7/2012 Downey
 D665,054 S 8/2012 Flowers et al.
 D665,884 S 8/2012 Flowers et al.
 D665,885 S 8/2012 Flowers et al.
 D665,886 S 8/2012 Flowers et al.

OTHER PUBLICATIONS

Baldwin Bath Epic Accessories Catalogue "Paragon" design bracket
 3271-253.*

* cited by examiner

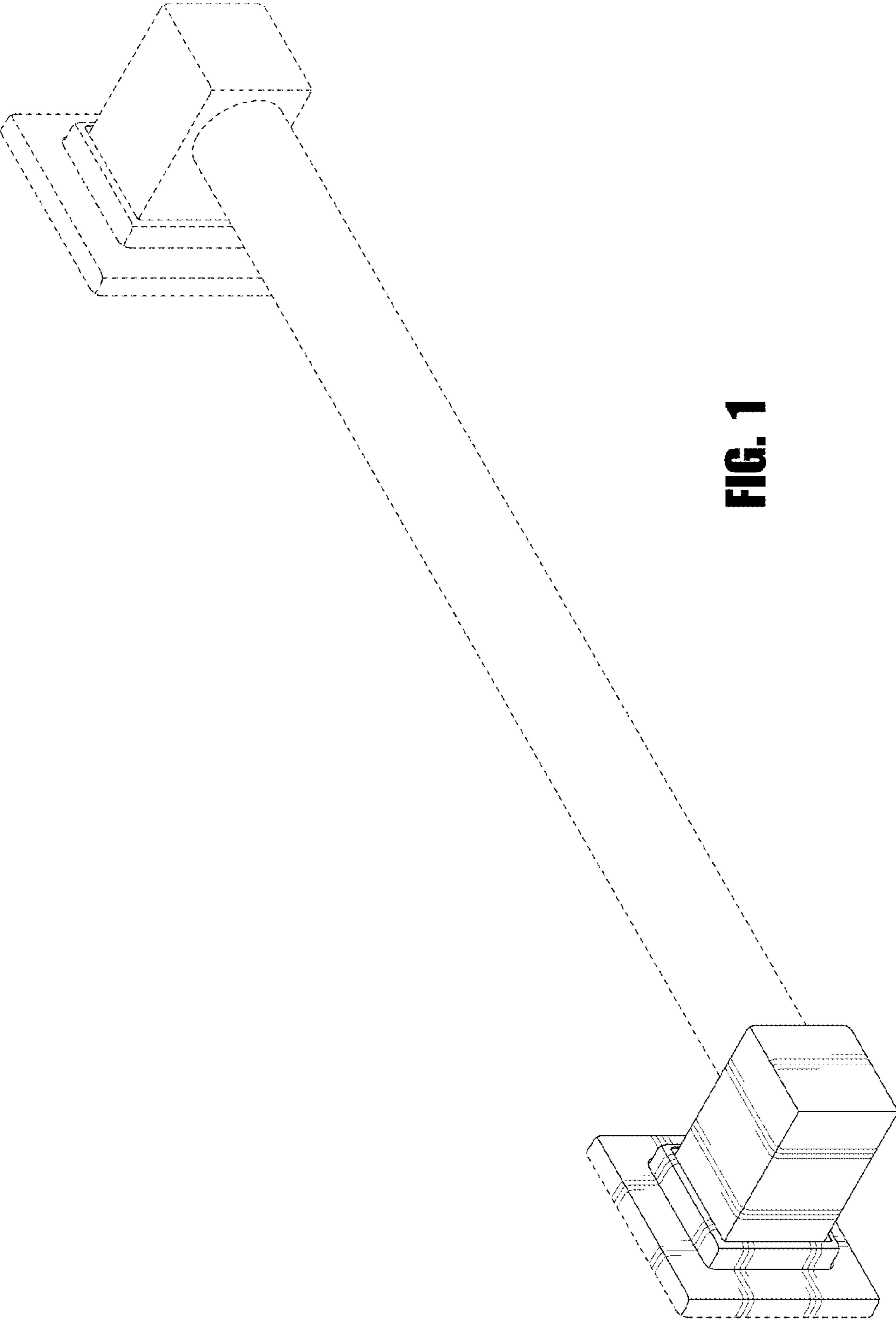


FIG. 1

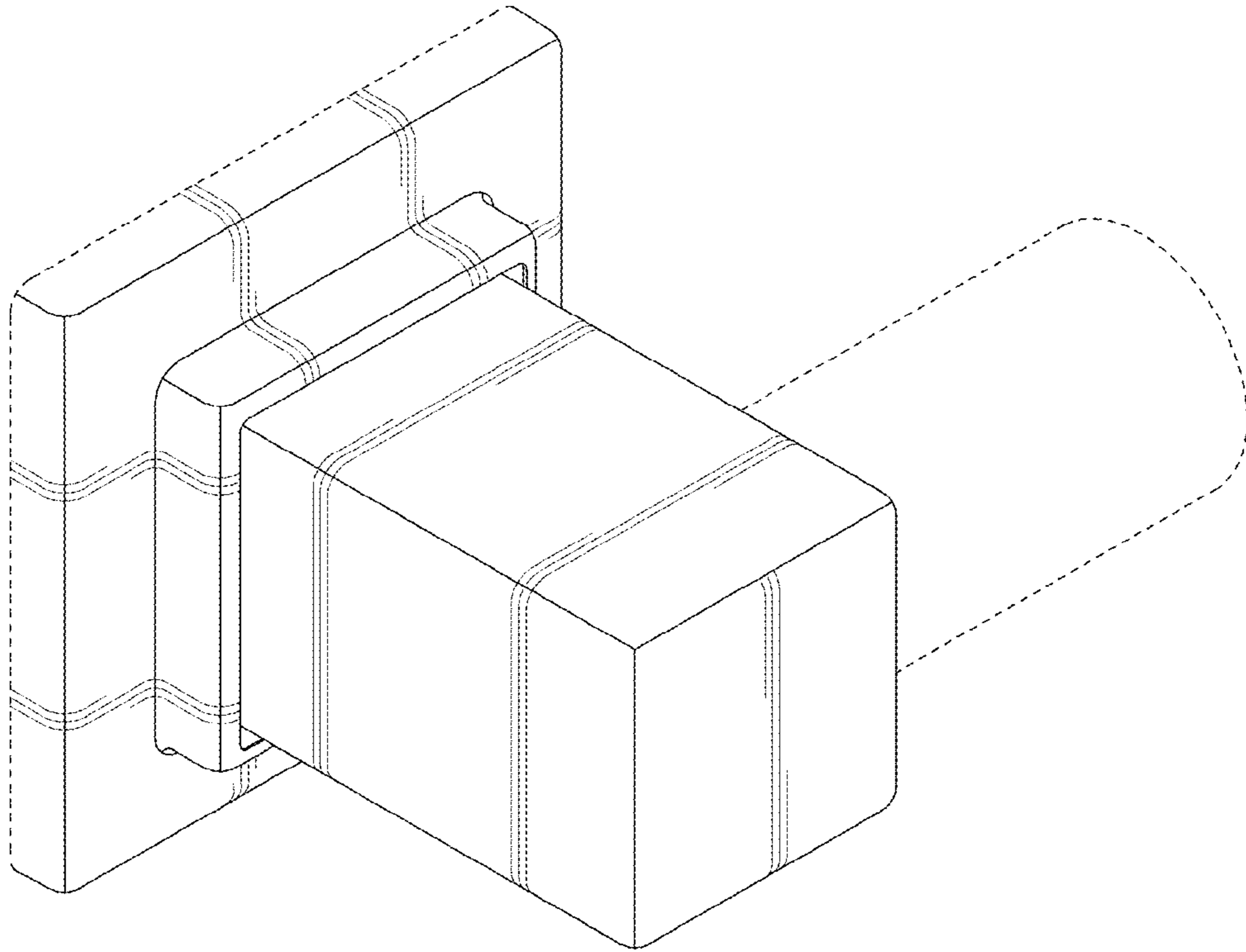


FIG. 2

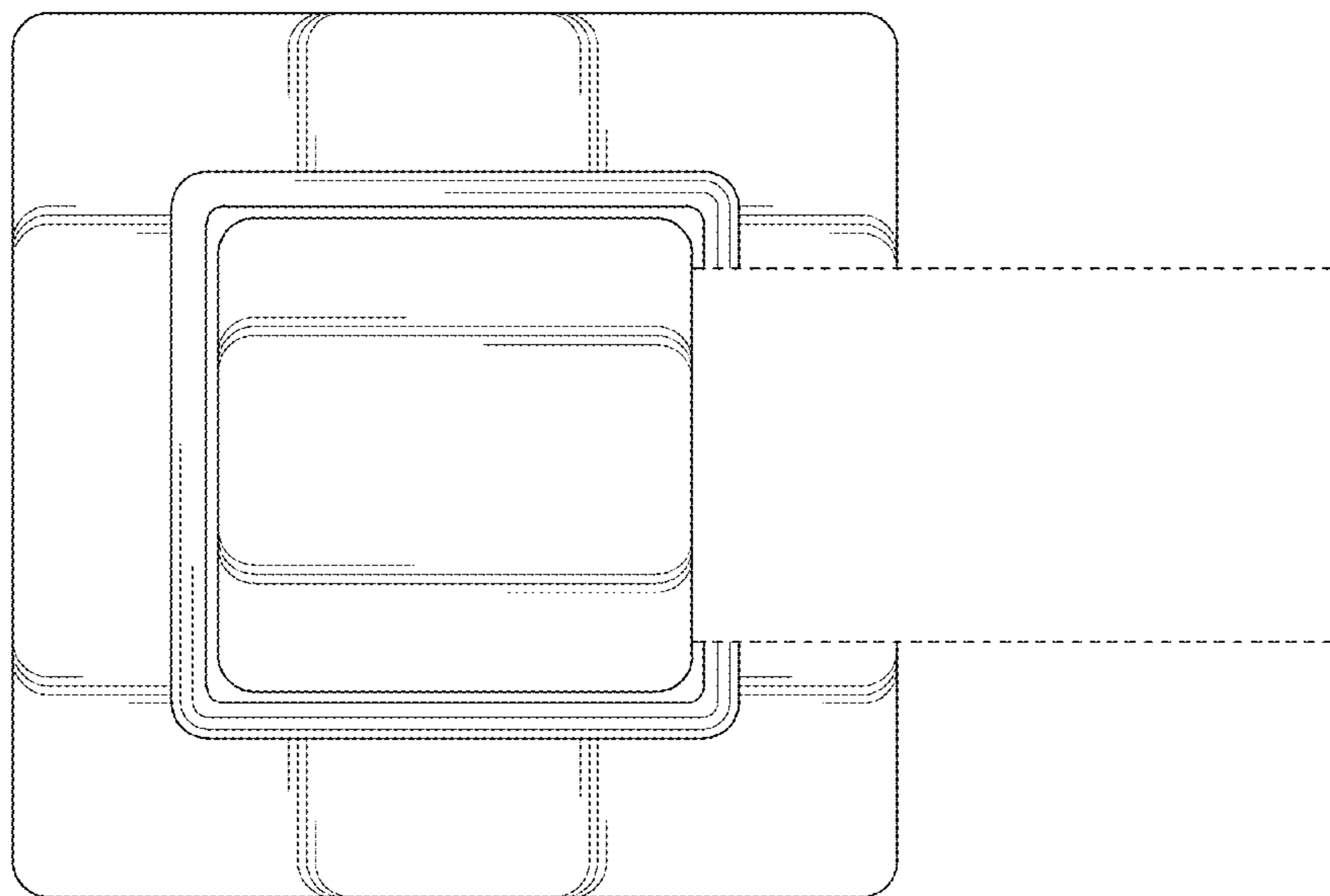


FIG. 3

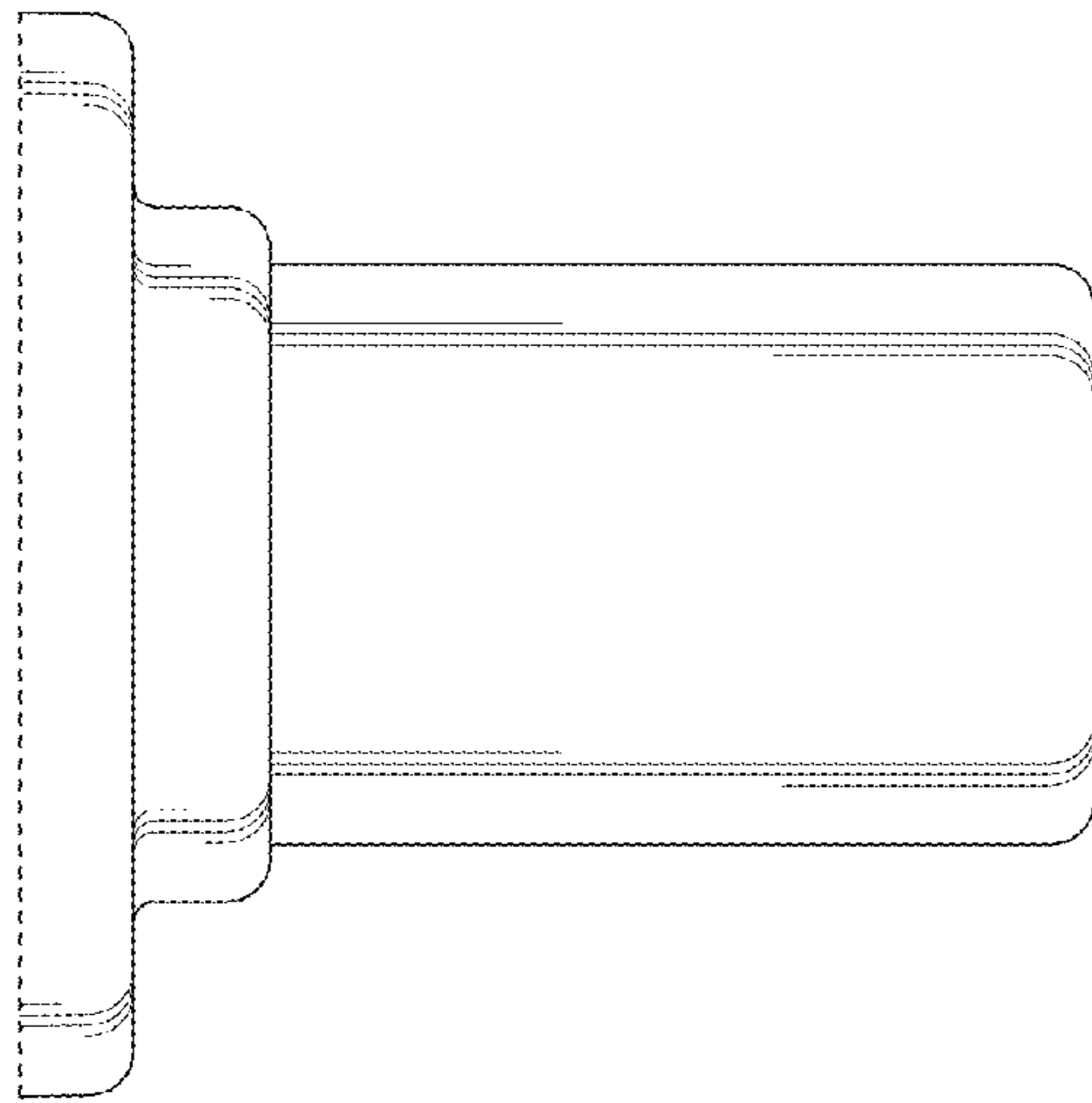


FIG. 4

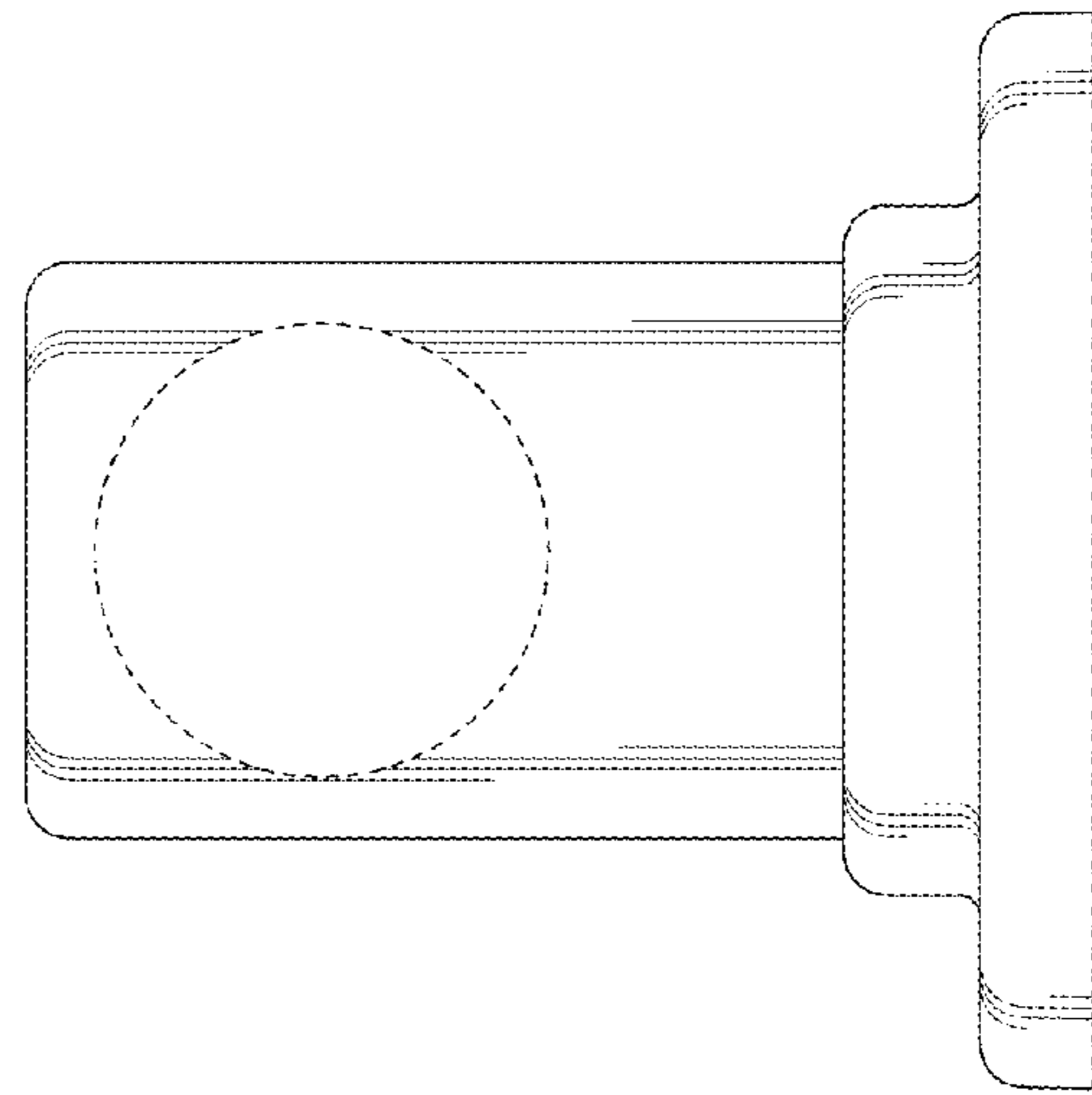


FIG. 5

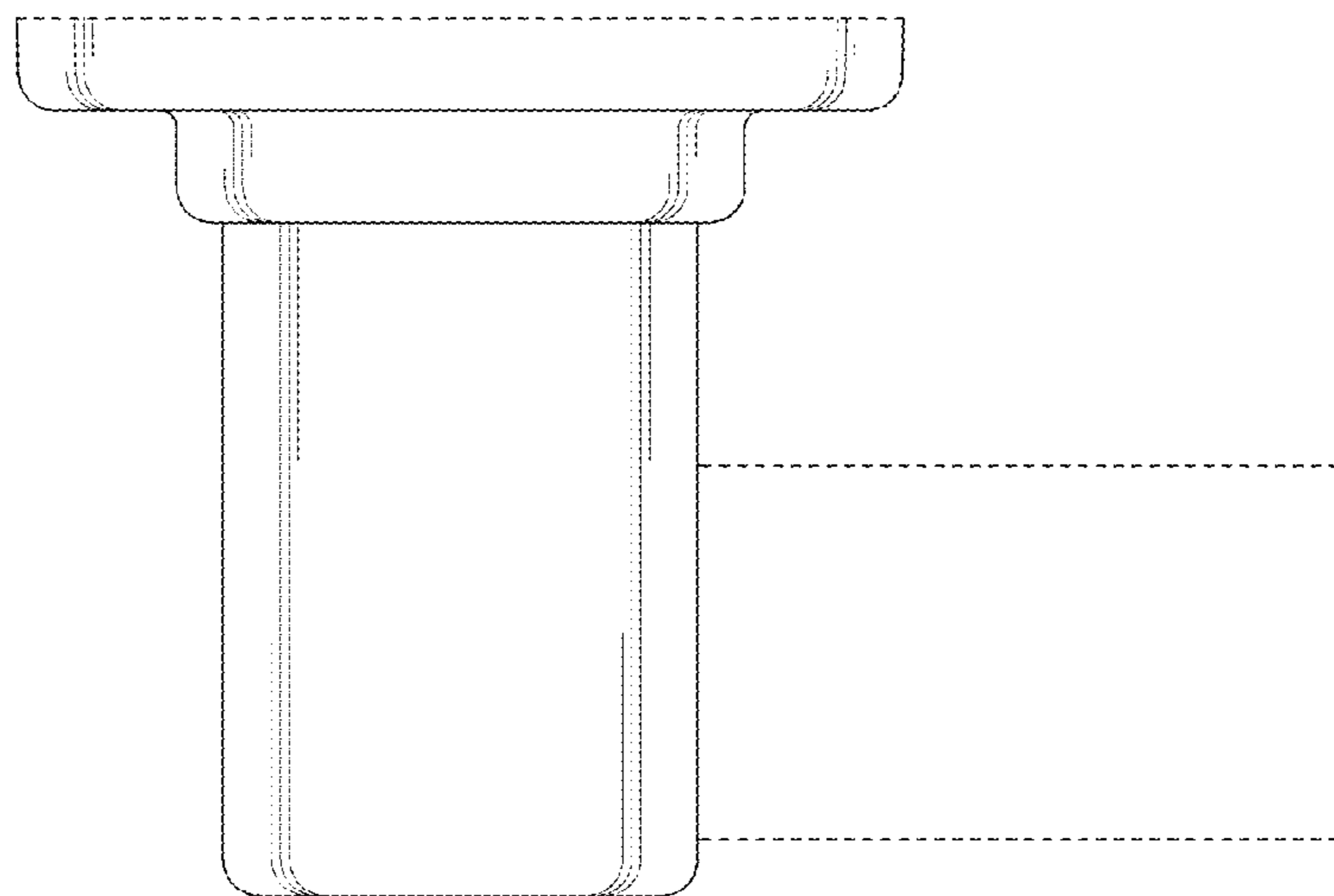


FIG. 6