



US00D707054S

(12) **United States Design Patent**
Beucler et al.

(10) **Patent No.:** **US D707,054 S**
(45) **Date of Patent:** **** Jun. 17, 2014**

(54) **CHAISE LOUNGE**

(71) Applicant: **Knoll, Inc.**, East Greenville, PA (US)

(72) Inventors: **Pierre Beucler**, Paris (FR);
Jean-Christophe Poggioli, Paris (FR)

(73) Assignee: **Knoll, Inc.**, East Greenville, PA (US)

(**) Term: **14 Years**

(21) Appl. No.: **29/445,117**

(22) Filed: **Feb. 7, 2013**

(51) **LOC (10) Cl.** **06-01**

(52) **U.S. Cl.**
USPC **D6/377; D6/361**

(58) **Field of Classification Search**
USPC D6/334, 335, 336, 361, 369, 370, 374,
D6/375, 377, 716, 716.1, 716.2, 716.3,
D6/716.4; 297/232, 423.1, 445.1, 446.1;
5/12.1, 652

See application file for complete search history.

(56) **References Cited**

U.S. PATENT DOCUMENTS

| | | | | |
|--------------|---------|---------------|-------|--------|
| D366,571 S * | 1/1996 | Hutton | | D6/361 |
| D400,364 S * | 11/1998 | Hutton | | D6/361 |
| D404,210 S * | 1/1999 | Hutton | | D6/361 |
| D437,128 S * | 2/2001 | Binder et al. | | D6/361 |
| D505,560 S * | 5/2005 | Hutton et al. | | D6/361 |
| D644,848 S * | 9/2011 | Lewis | | D6/361 |

| | | | | |
|--------------|---------|---------|-------|--------|
| D648,565 S * | 11/2011 | Frinier | | D6/377 |
| D660,029 S * | 5/2012 | Nguyen | | D6/361 |
| D660,043 S * | 5/2012 | Nguyen | | D6/377 |

* cited by examiner

Primary Examiner — Mimoso De

(74) *Attorney, Agent, or Firm* — Buchanan Ingersoll & Rooney PC

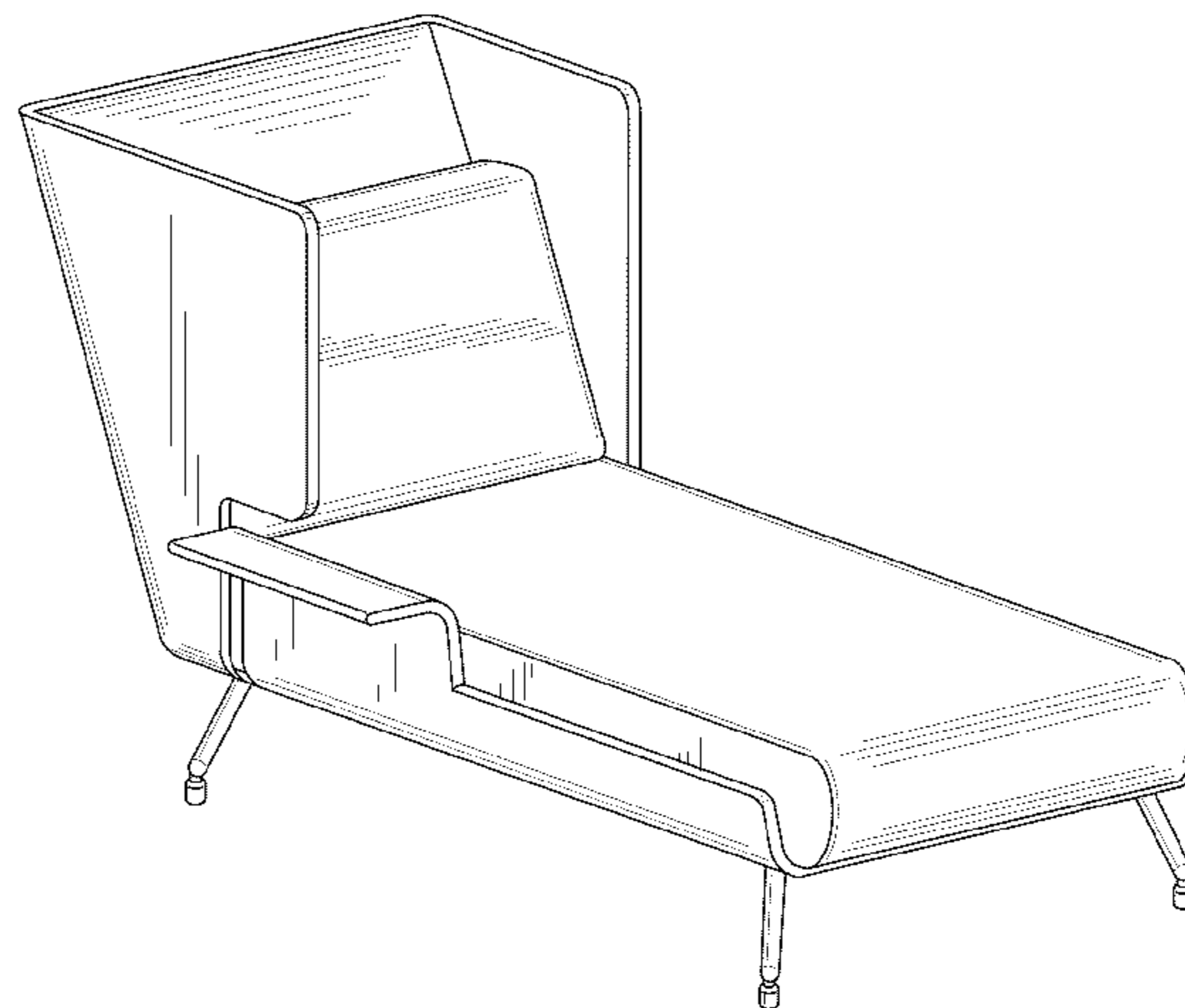
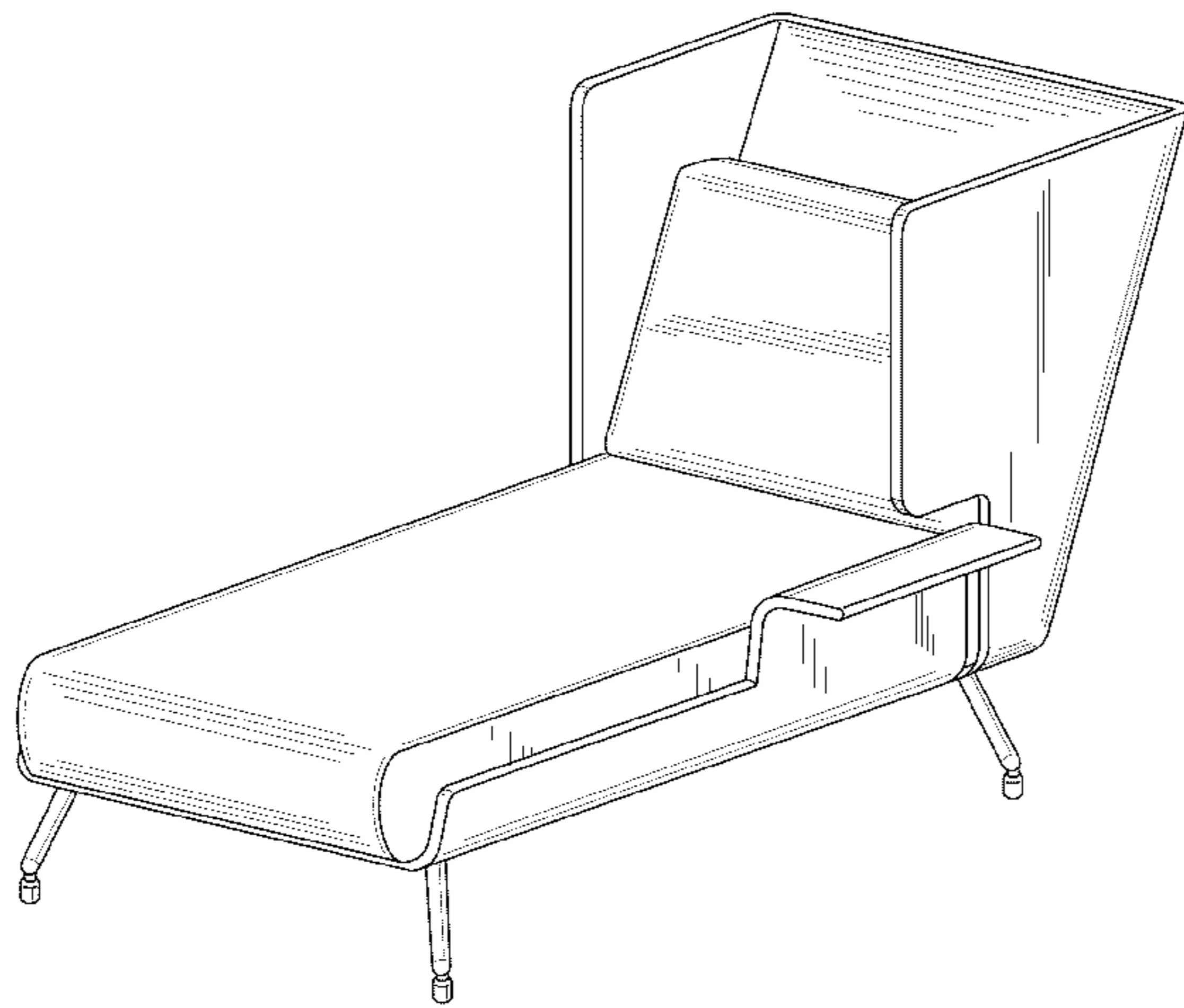
(57) **CLAIM**

The ornamental design for a chaise lounge, as shown and described.

DESCRIPTION

FIG. 1 is a perspective view of a chaise lounge showing our new design;
 FIG. 2 is a front elevational view thereof;
 FIG. 3 is a rear elevational view thereof;
 FIG. 4 is a top plan view thereof;
 FIG. 5 is a left side elevational view thereof;
 FIG. 6 is a right side elevational view thereof;
 FIG. 7 is a perspective view of an alternate embodiment of a chaise lounge showing our new design;
 FIG. 8 is a front elevational view thereof;
 FIG. 9 is a rear elevational view thereof;
 FIG. 10 is a top plan view thereof;
 FIG. 11 is a left side elevational view thereof; and,
 FIG. 12 is a right side elevational view thereof.

1 Claim, 10 Drawing Sheets



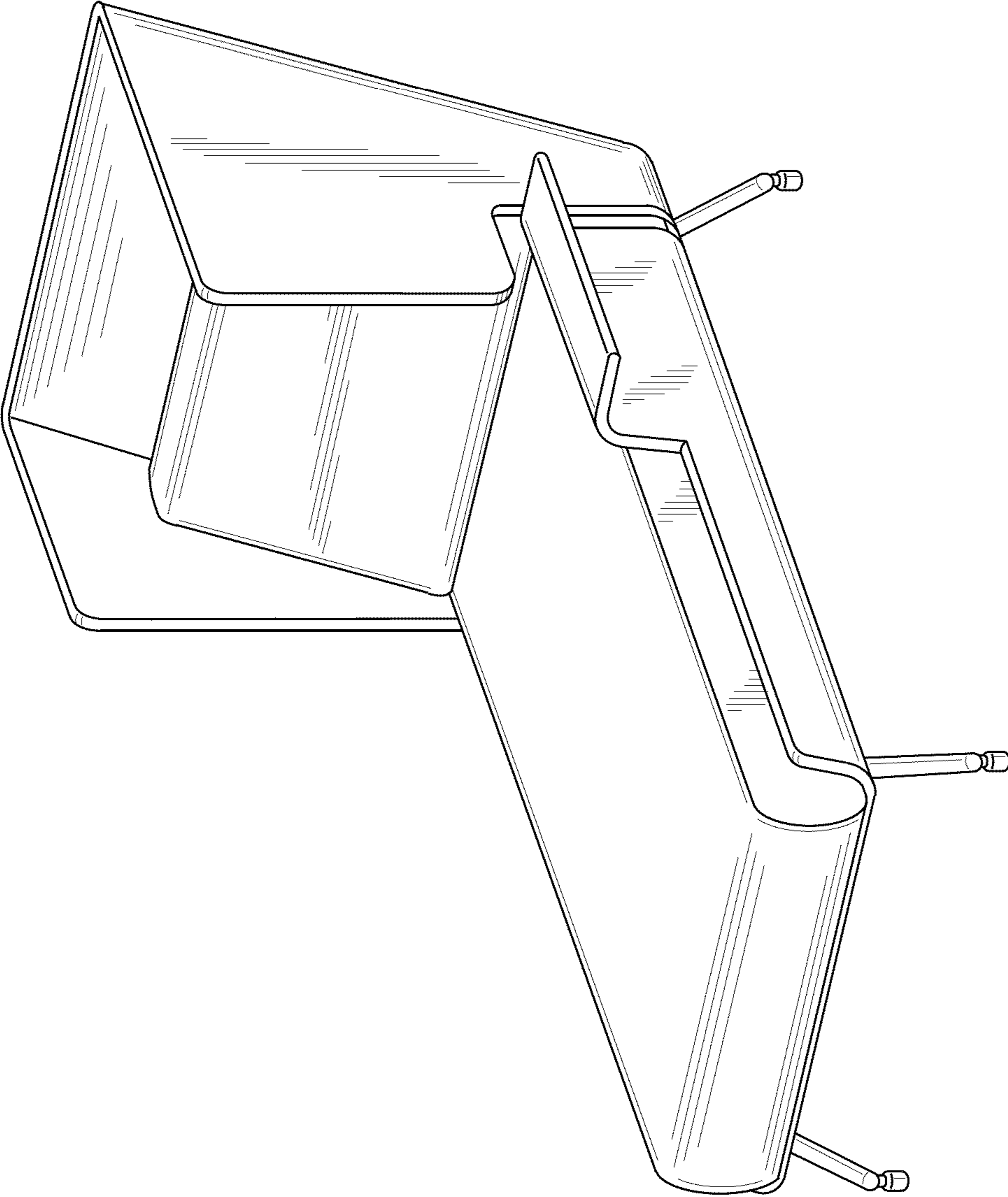


FIG. 1

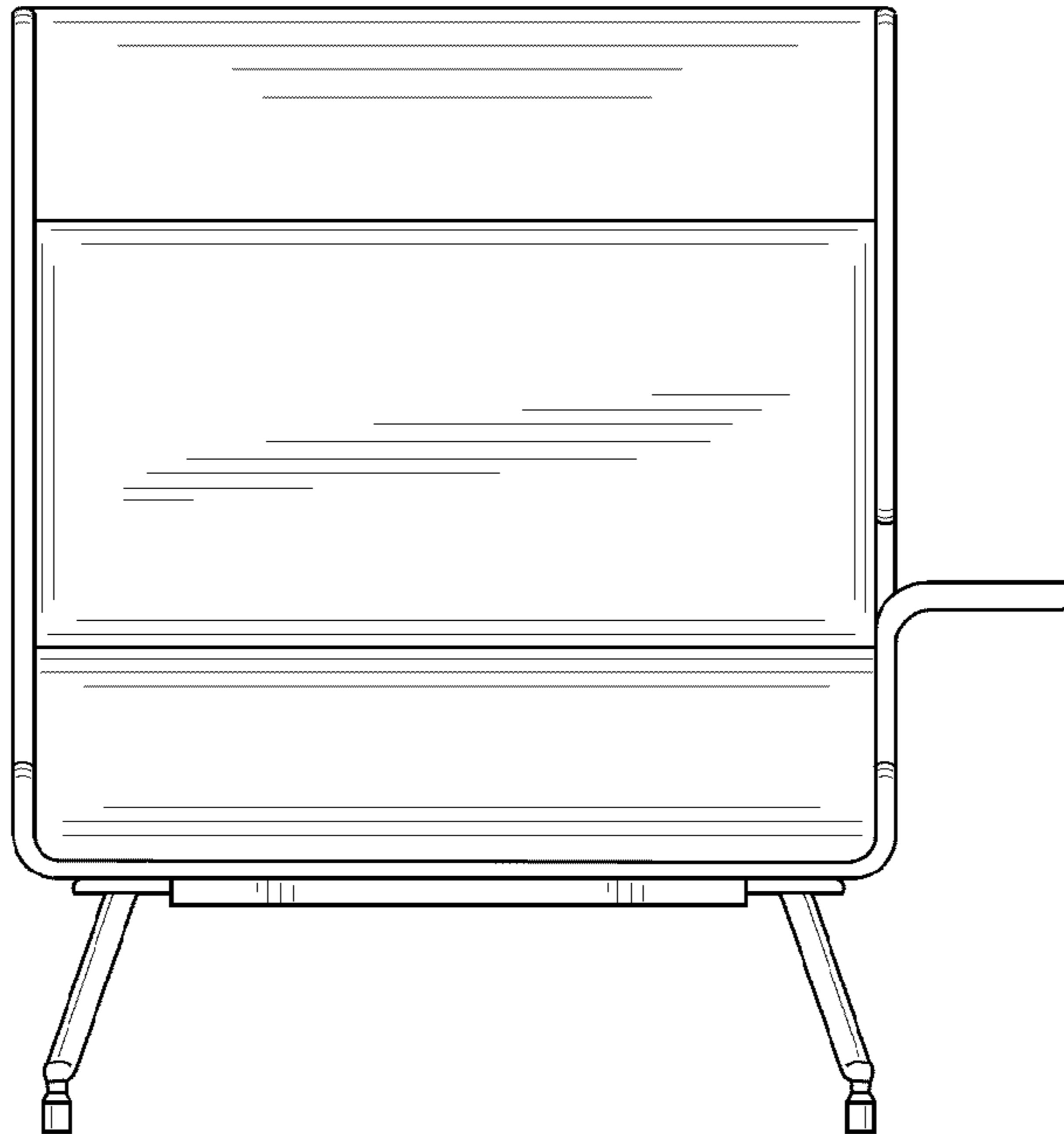


FIG. 2

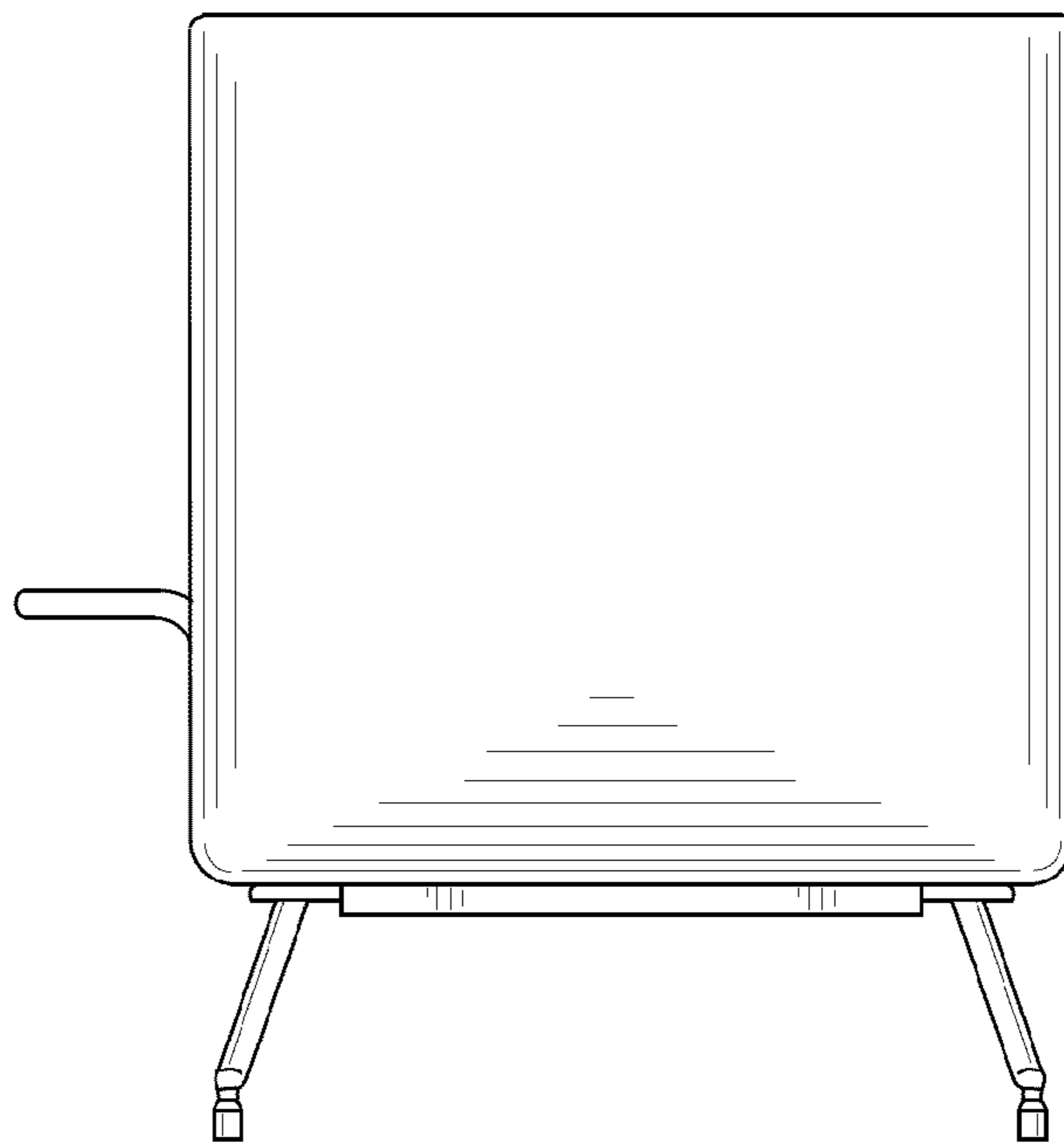


FIG. 3

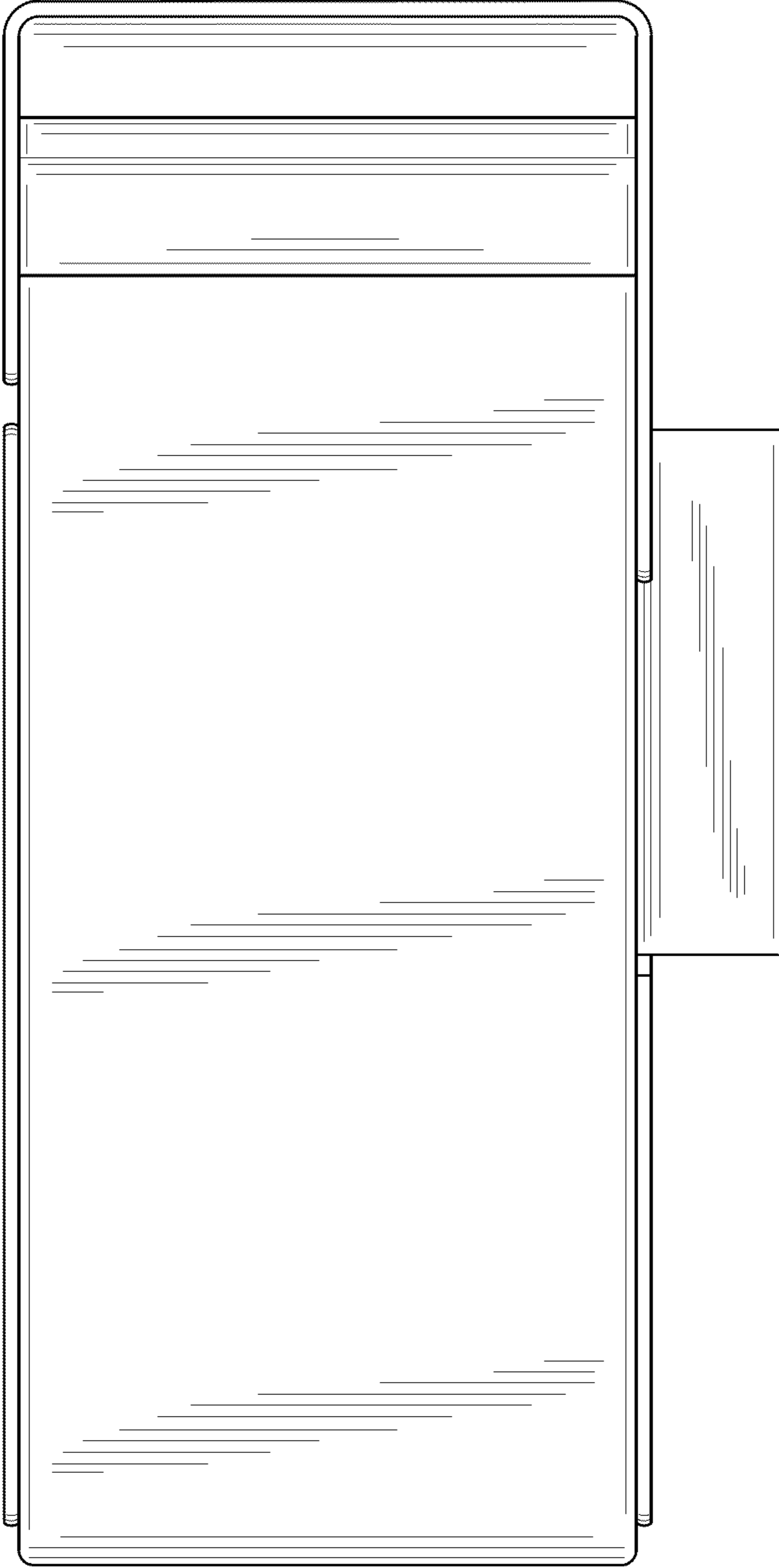


FIG. 4

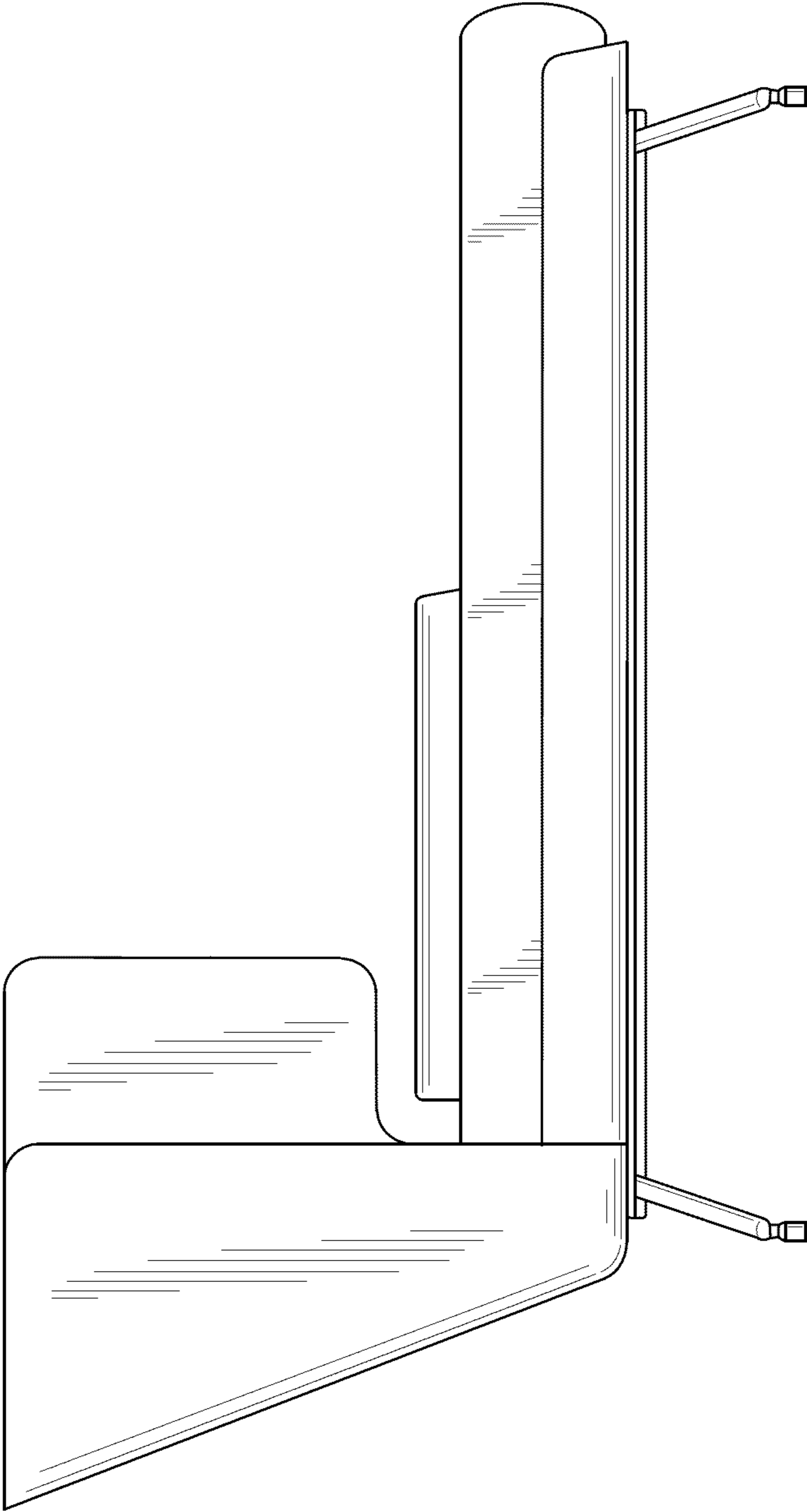


FIG. 5

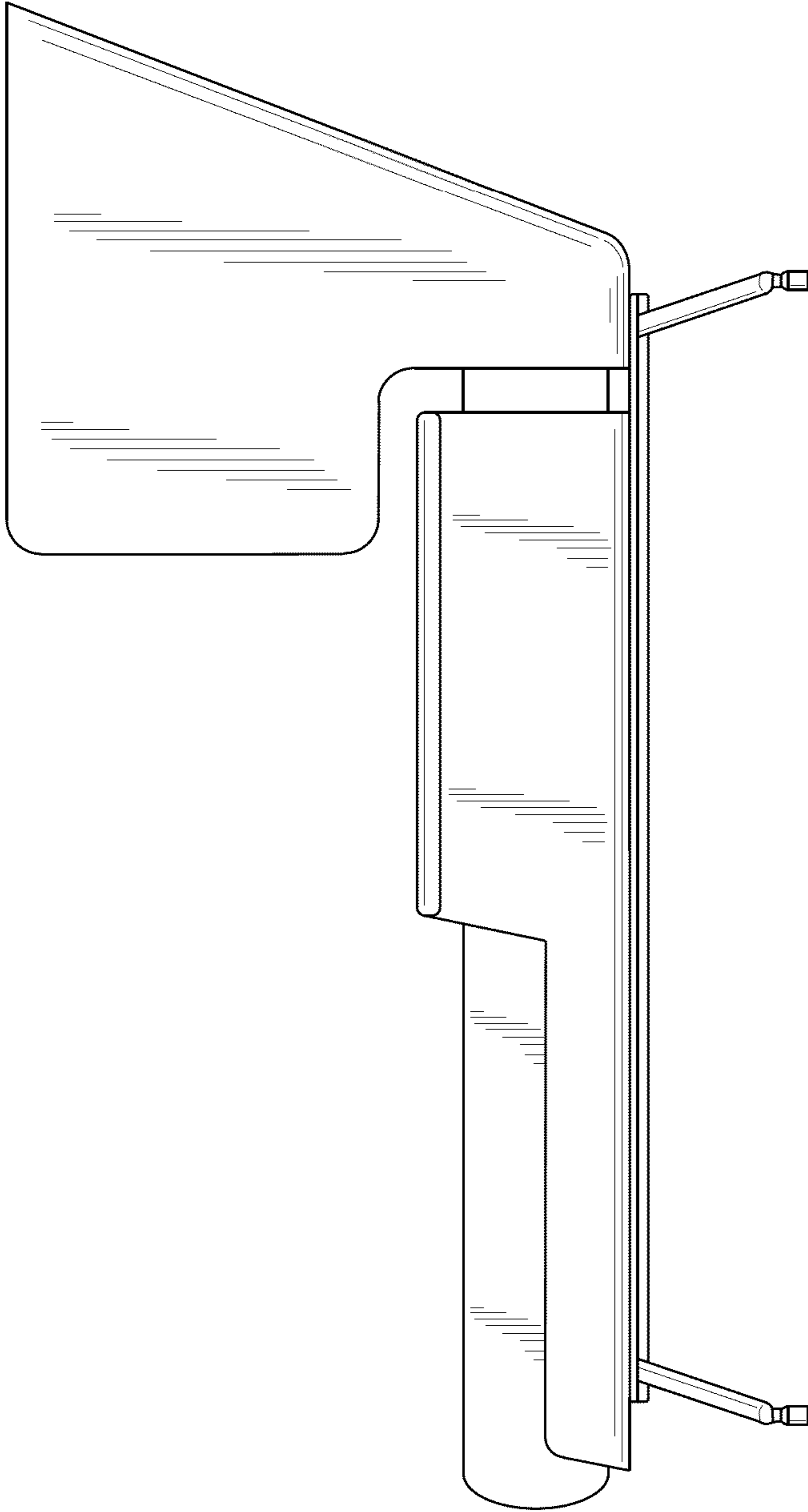


FIG. 6

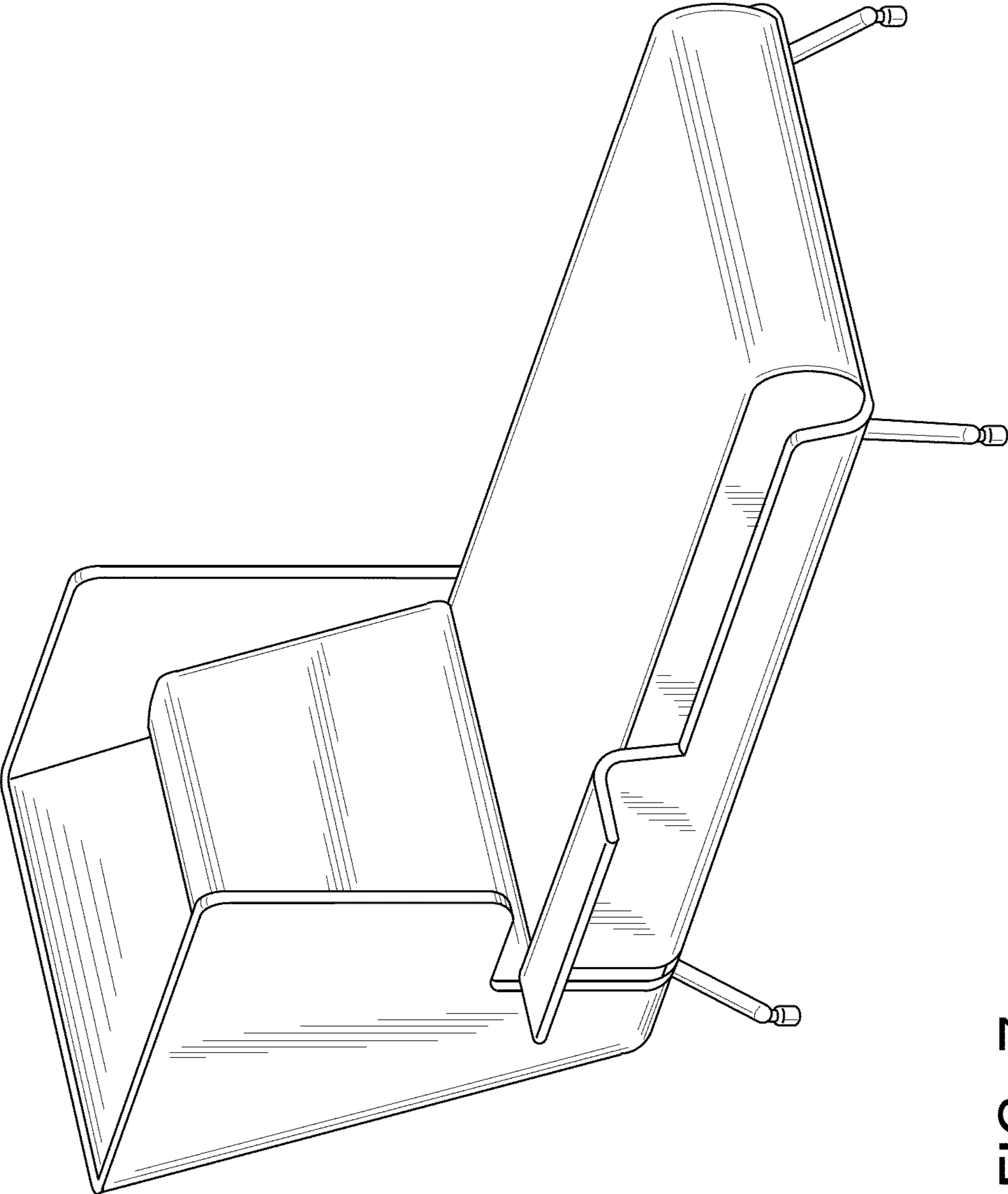


FIG. 7

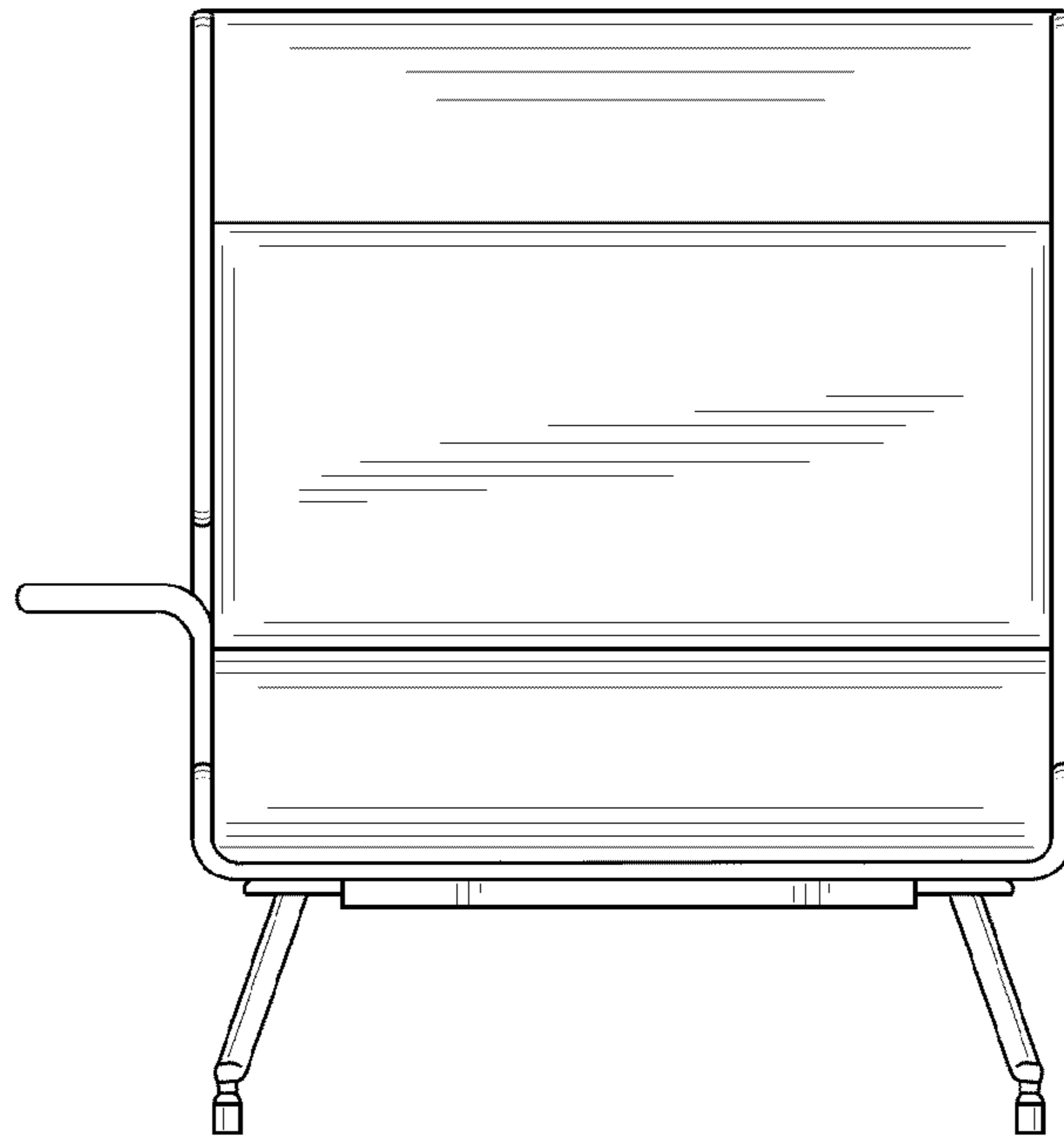


FIG. 8

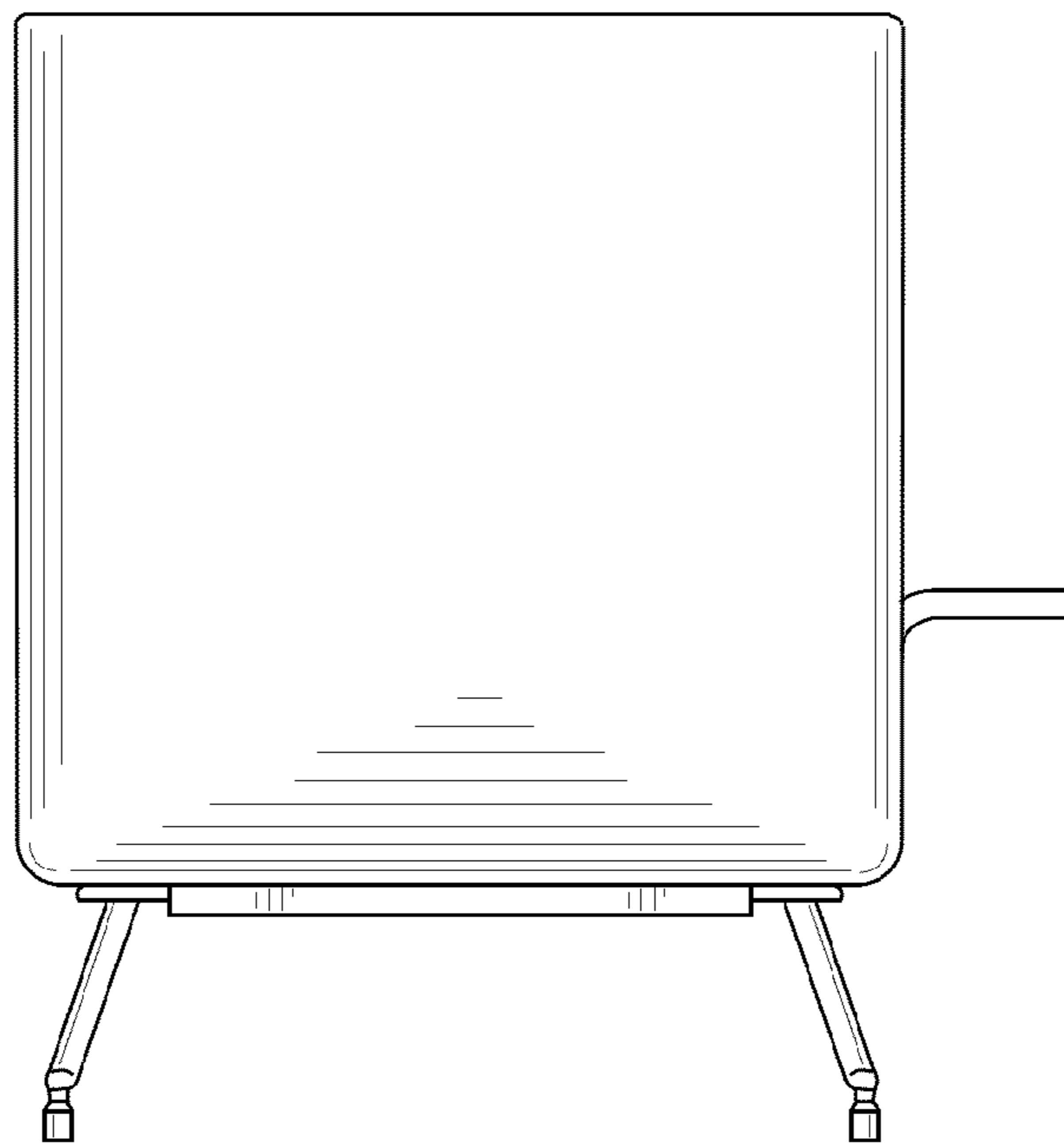


FIG. 9

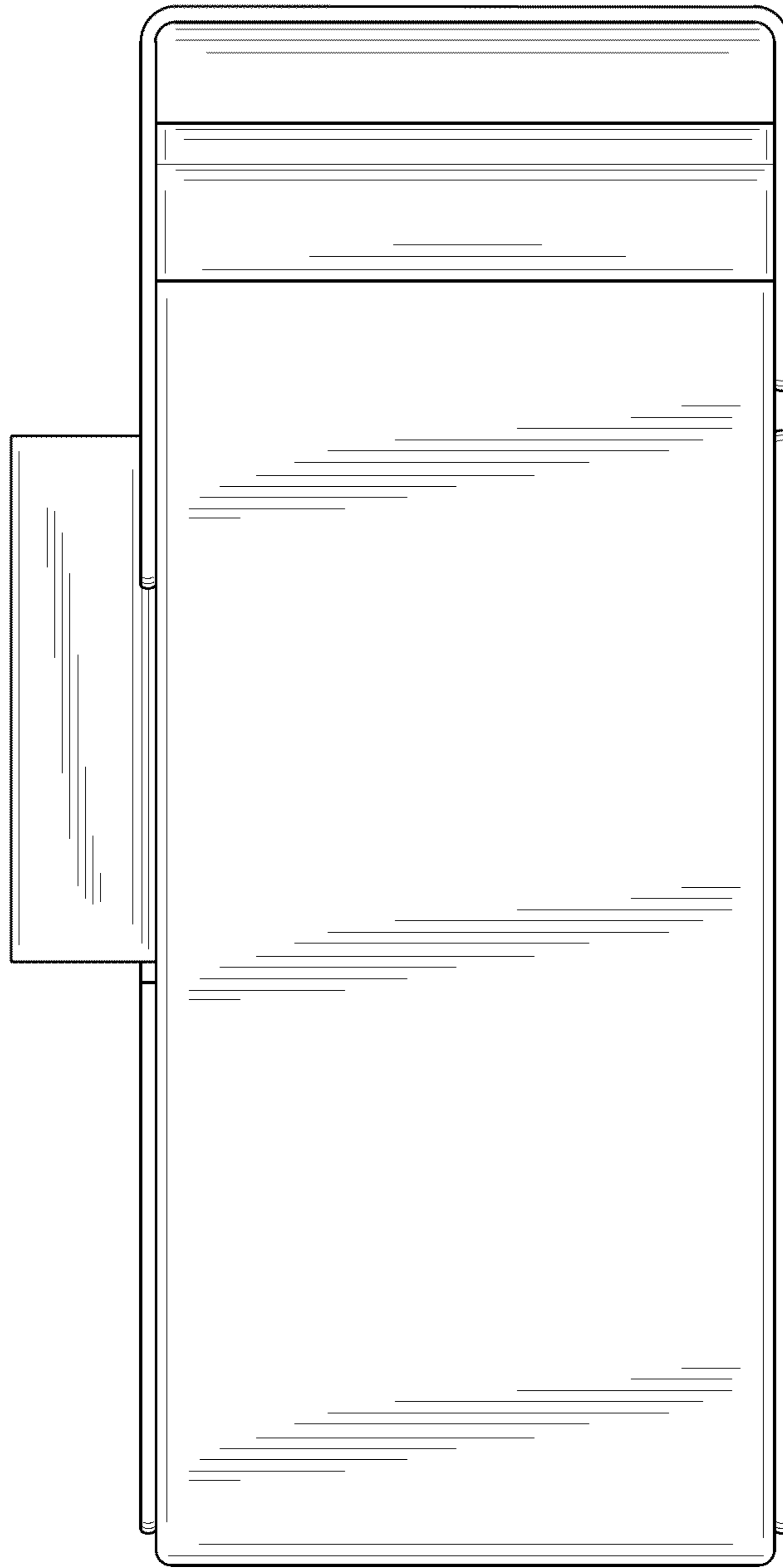


FIG. 10

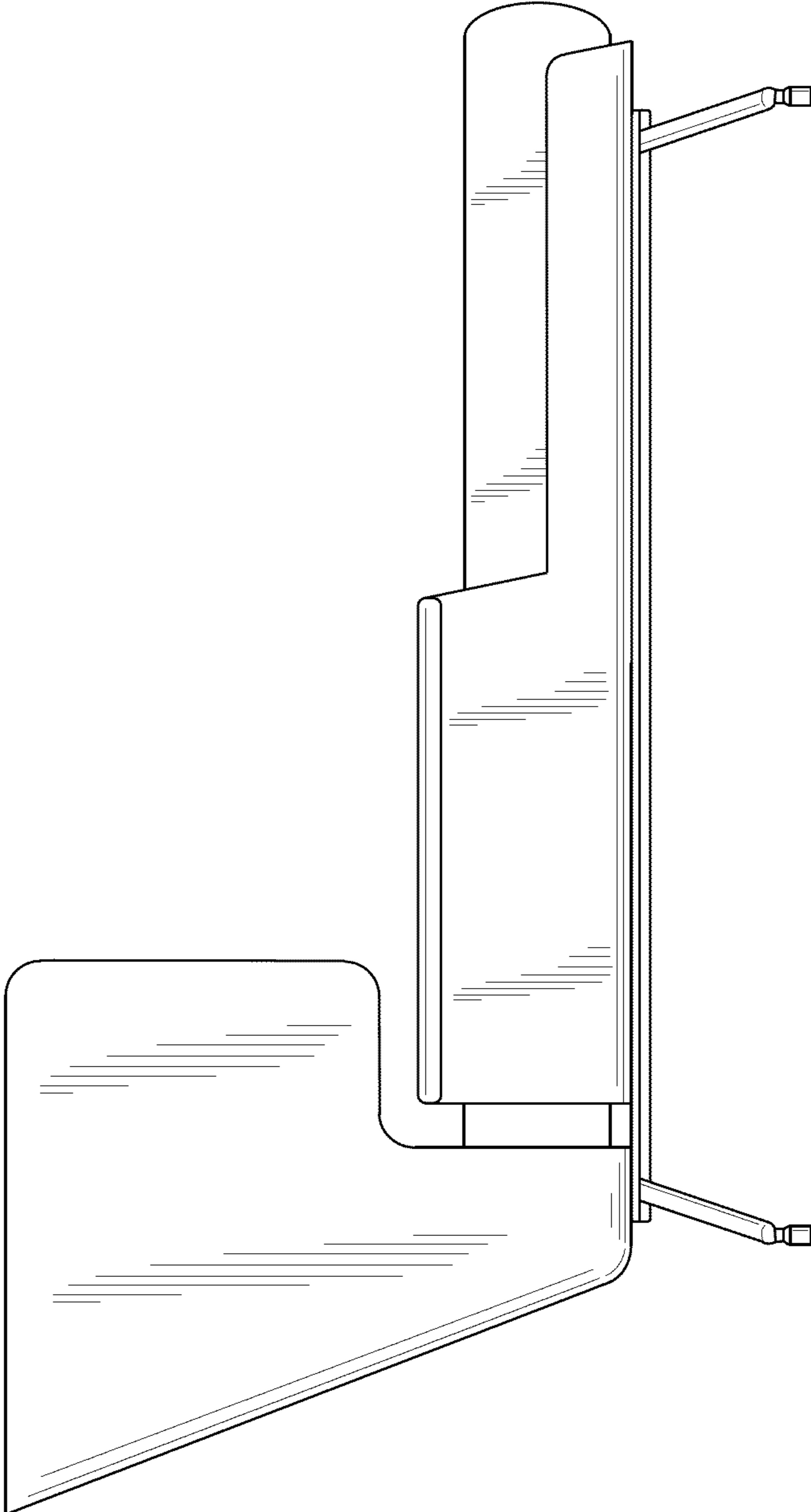


FIG. 11

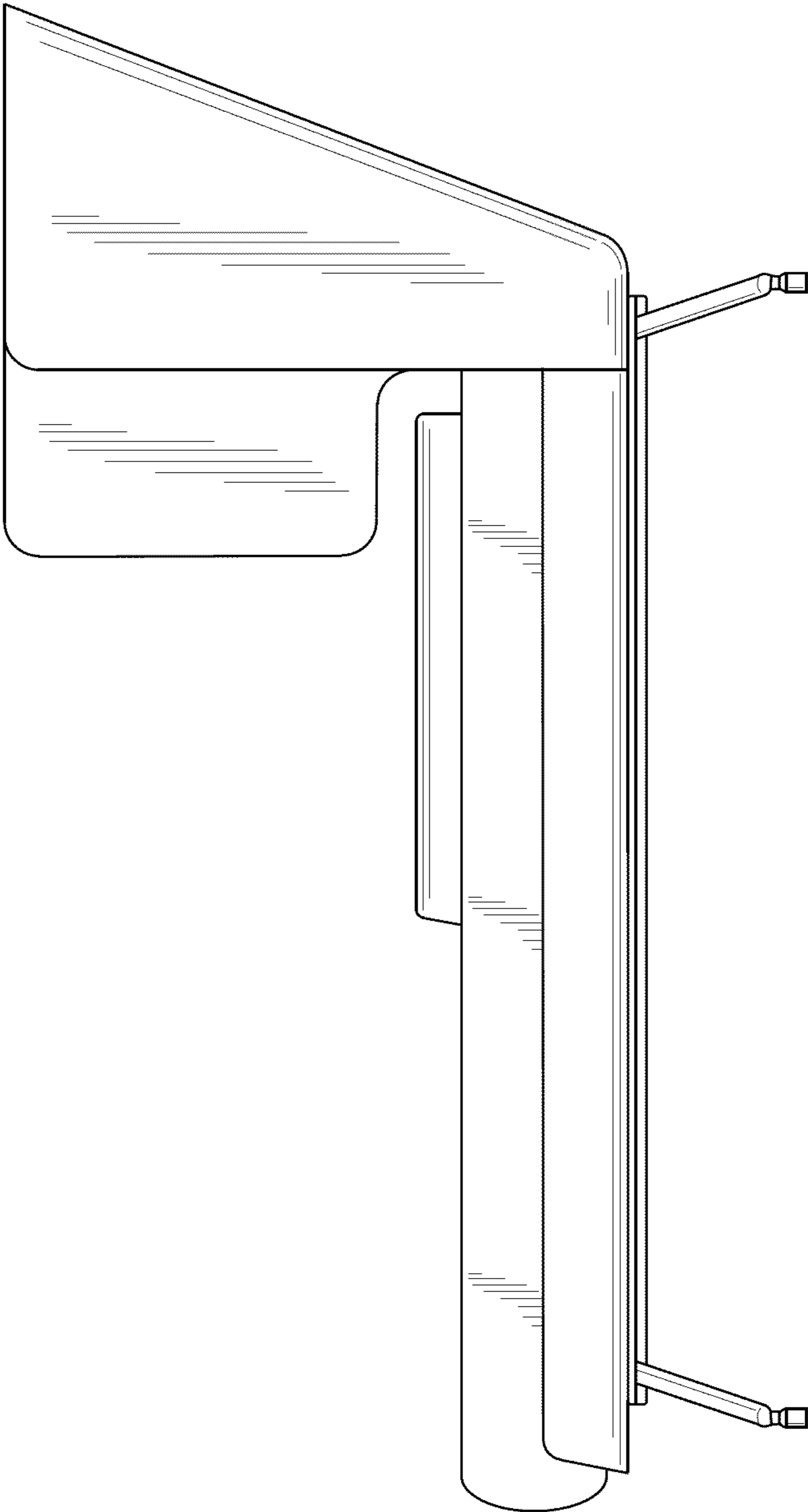


FIG. 12