



US00D707053S

(12) **United States Design Patent**
Radice et al.

(10) **Patent No.:** **US D707,053 S**
(45) **Date of Patent:** **** Jun. 17, 2014**

- (54) **ARMCHAIR**
- (71) Applicant: **Fast S.p.A.**, Brescia (IT)
- (72) Inventors: **Andrea Radice**, Brescia (IT); **Folco Orlandini**, Brescia (IT)
- (73) Assignee: **Fast, S.p.A.**, Brescia (IT)
- (**) Term: **14 Years**
- (21) Appl. No.: **29/465,495**
- (22) Filed: **Aug. 28, 2013**
- (51) **LOC (10) Cl.** **06-01**
- (52) **U.S. Cl.**
USPC **D6/375**
- (58) **Field of Classification Search**
USPC D6/334-336, 344-356, 360-381, 388,
D6/403, 491-502, 692, 708, 716,
D6/716.2-716.4; 297/16.1, 22, 31, 35,
297/135, 217.1, 228.12, 248, 256.16, 271.6,
297/284.4-284.5, 291, 297, 302.4, 411.2,
297/411.27-411.29, 411.43, 423.1, 423.12,
297/440.11, 440.15, 440.21-440.24, 448.1,
297/451.4, 452.13, 452.19, 452.21, 452.27,
297/452.29, 452.3, 452.41, 452.56, 452.64
See application file for complete search history.

D193,508 S *	9/1962	Nakamura	D6/375
D199,621 S *	11/1964	Johnson	D6/374
D210,940 S *	5/1968	Eames	D6/375
D214,622 S *	7/1969	Schier	D6/375
D236,670 S *	9/1975	Uyeda	D6/375
D333,044 S *	2/1993	Caruso	D6/373
D426,970 S *	6/2000	Kolberg	D6/374
D564,768 S *	3/2008	Glass et al.	D6/366
D683,559 S *	6/2013	Weber et al.	D6/716
D686,439 S *	7/2013	Glass et al.	D6/716
2005/0012371 A1 *	1/2005	Mendenhall et al.	297/248

* cited by examiner

Primary Examiner — Ricky Pham

(74) *Attorney, Agent, or Firm* — SoCal IP Law Group LLP;
Guy Cumberbatch

(57) **CLAIM**
The ornamental design for an armchair, as shown and described.

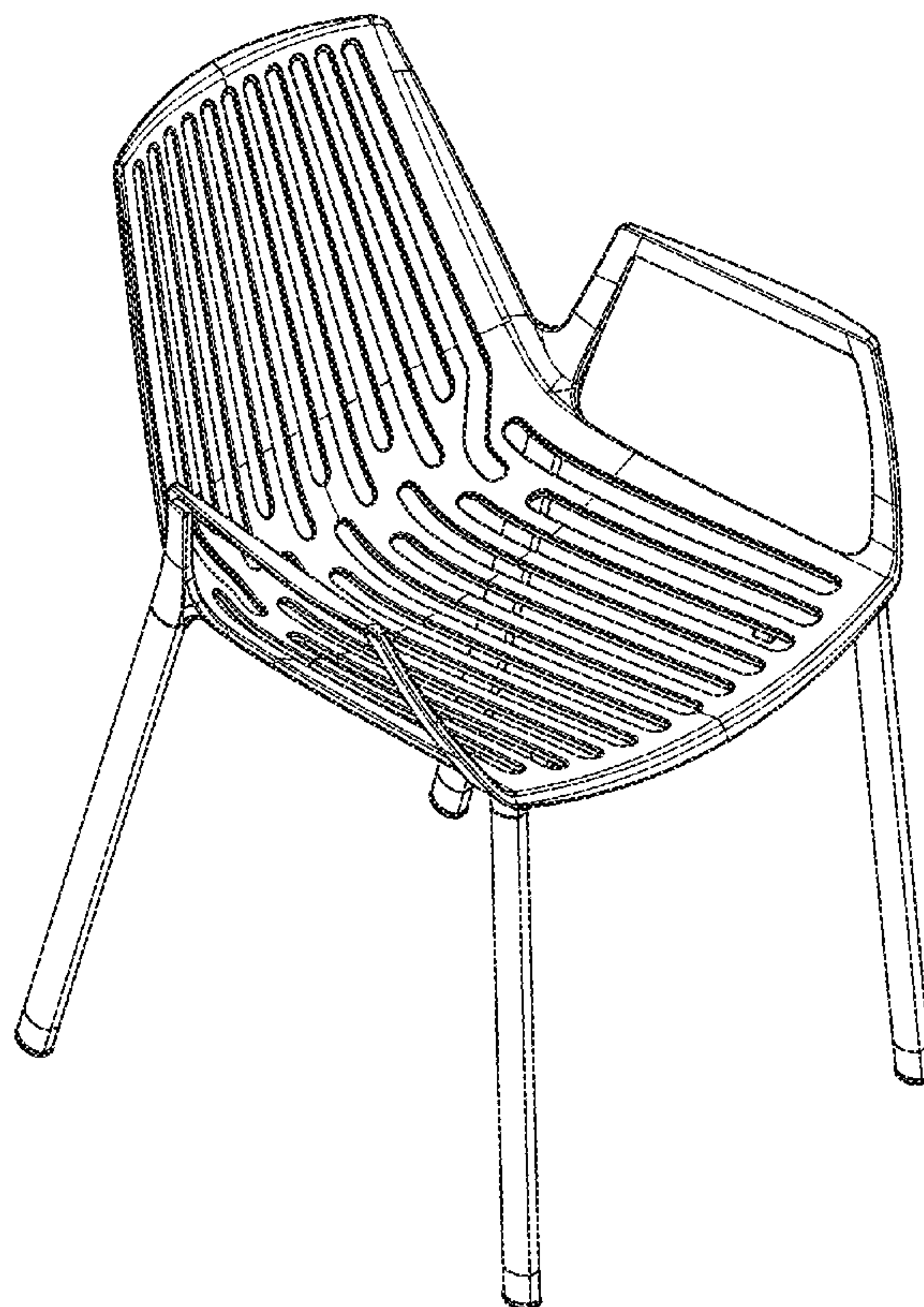
DESCRIPTION

FIG. 1 is a perspective view of an armchair;
FIG. 2 is a front elevational view of the armchair;
FIG. 3 is a rear elevational view of the armchair;
FIG. 4 is a right side elevational view of the armchair;
FIG. 5 is a left side elevational view of the armchair; and,
FIG. 6 is a top plan view of the armchair.

1 Claim, 6 Drawing Sheets

(56) **References Cited**
U.S. PATENT DOCUMENTS

D153,162 S *	3/1949	Nelems	D6/347
D192,559 S *	4/1962	Chapman	D6/375



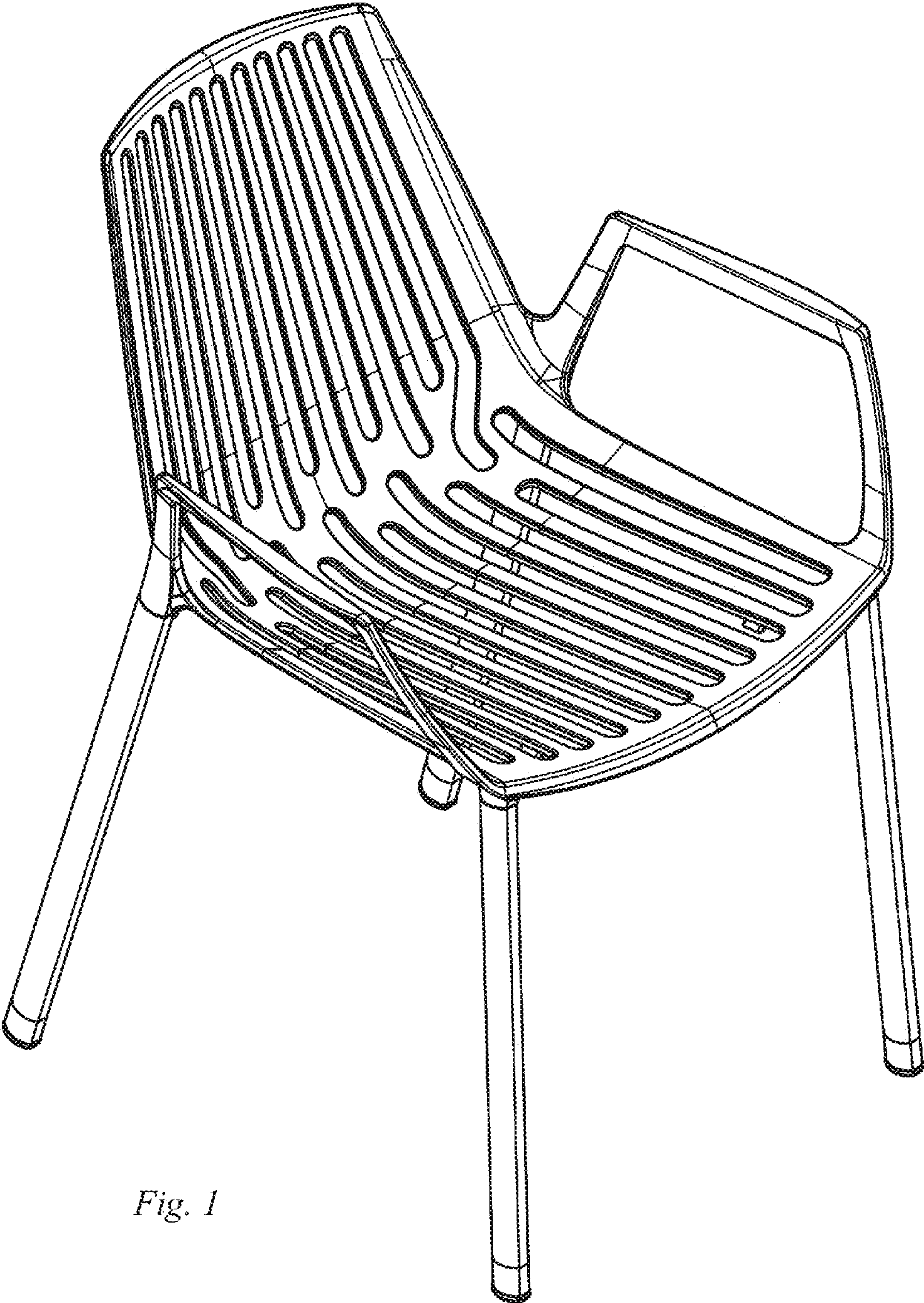


Fig. 1

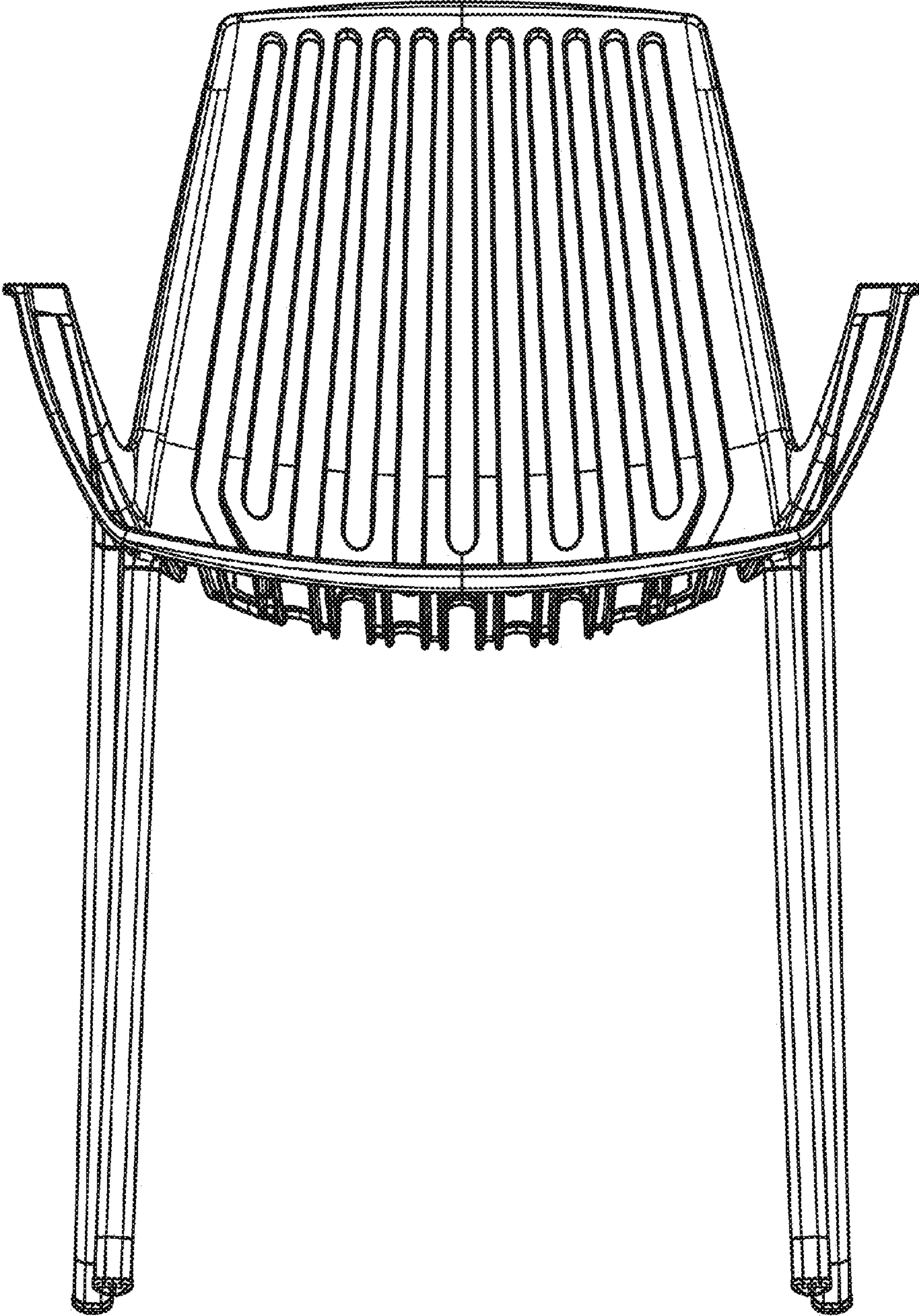


Fig. 2

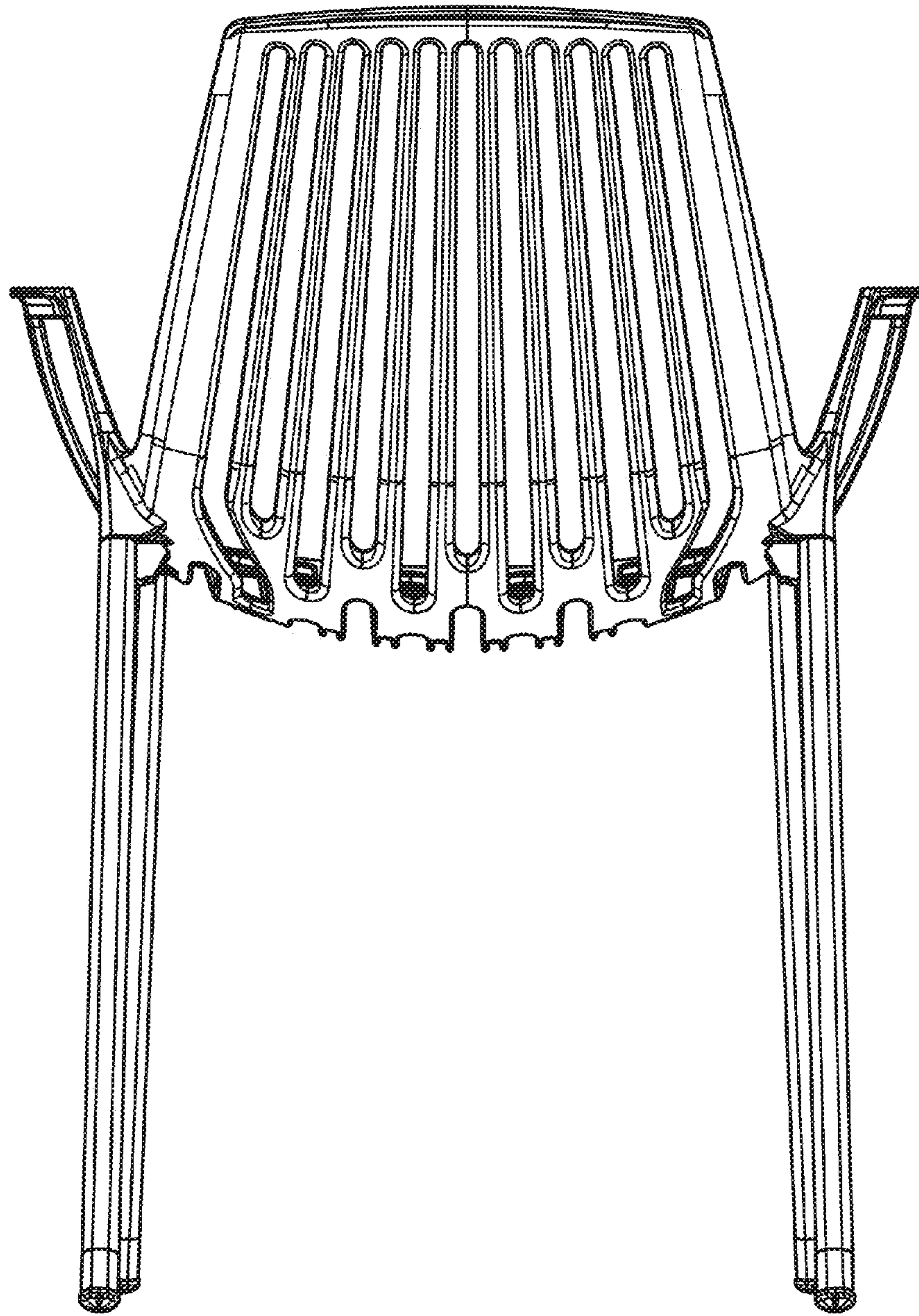


Fig. 3

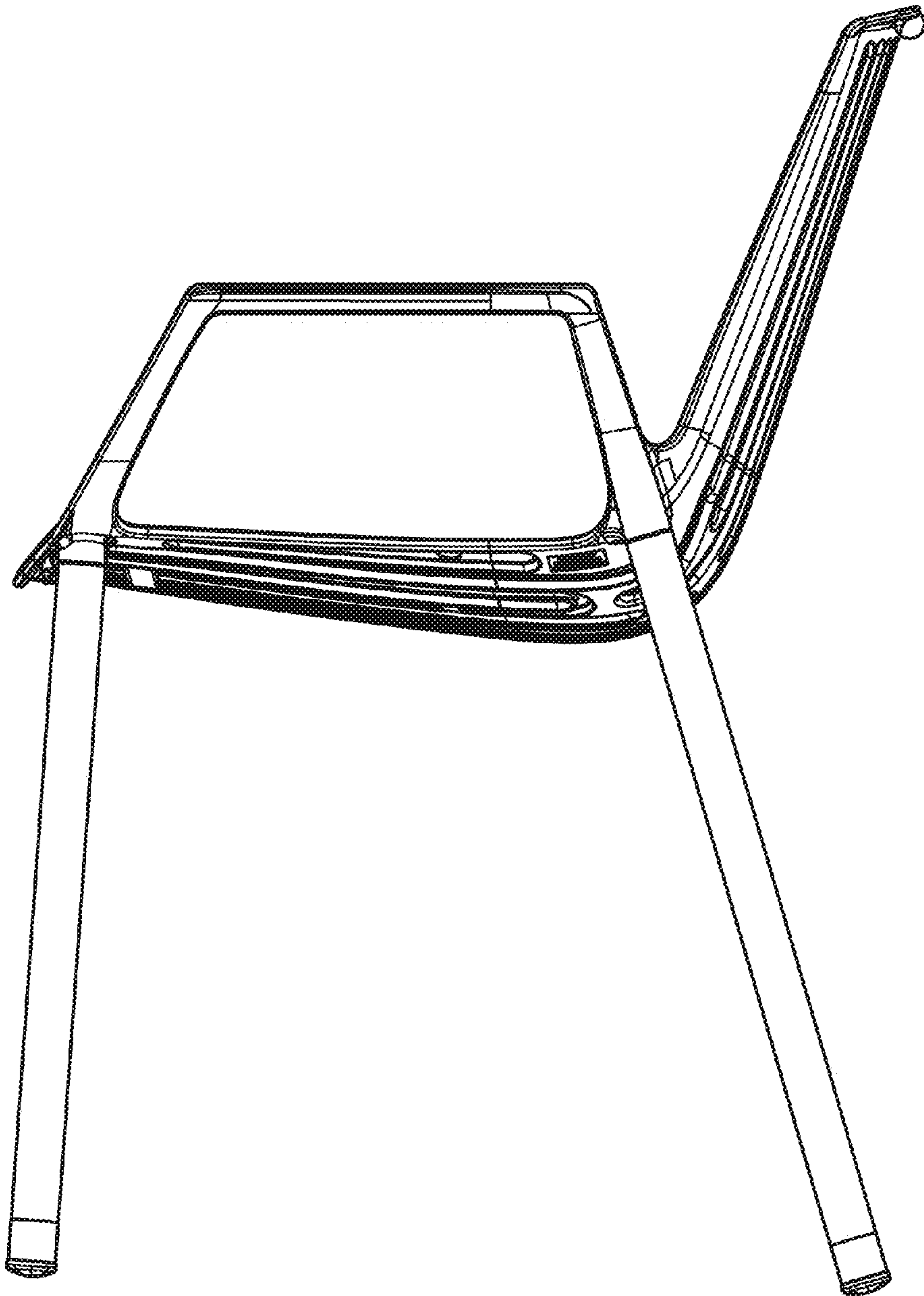


Fig. 4

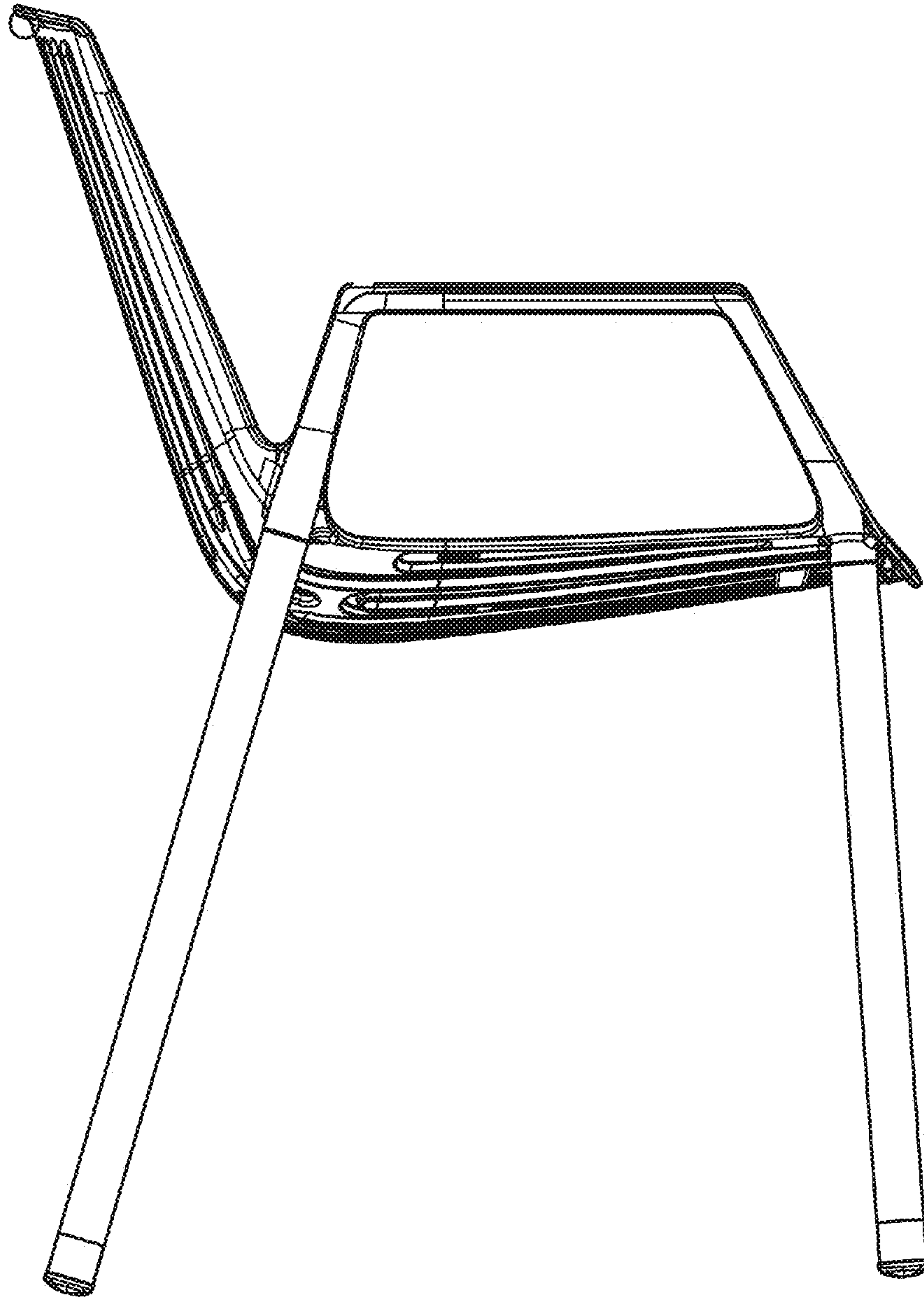


Fig. 5

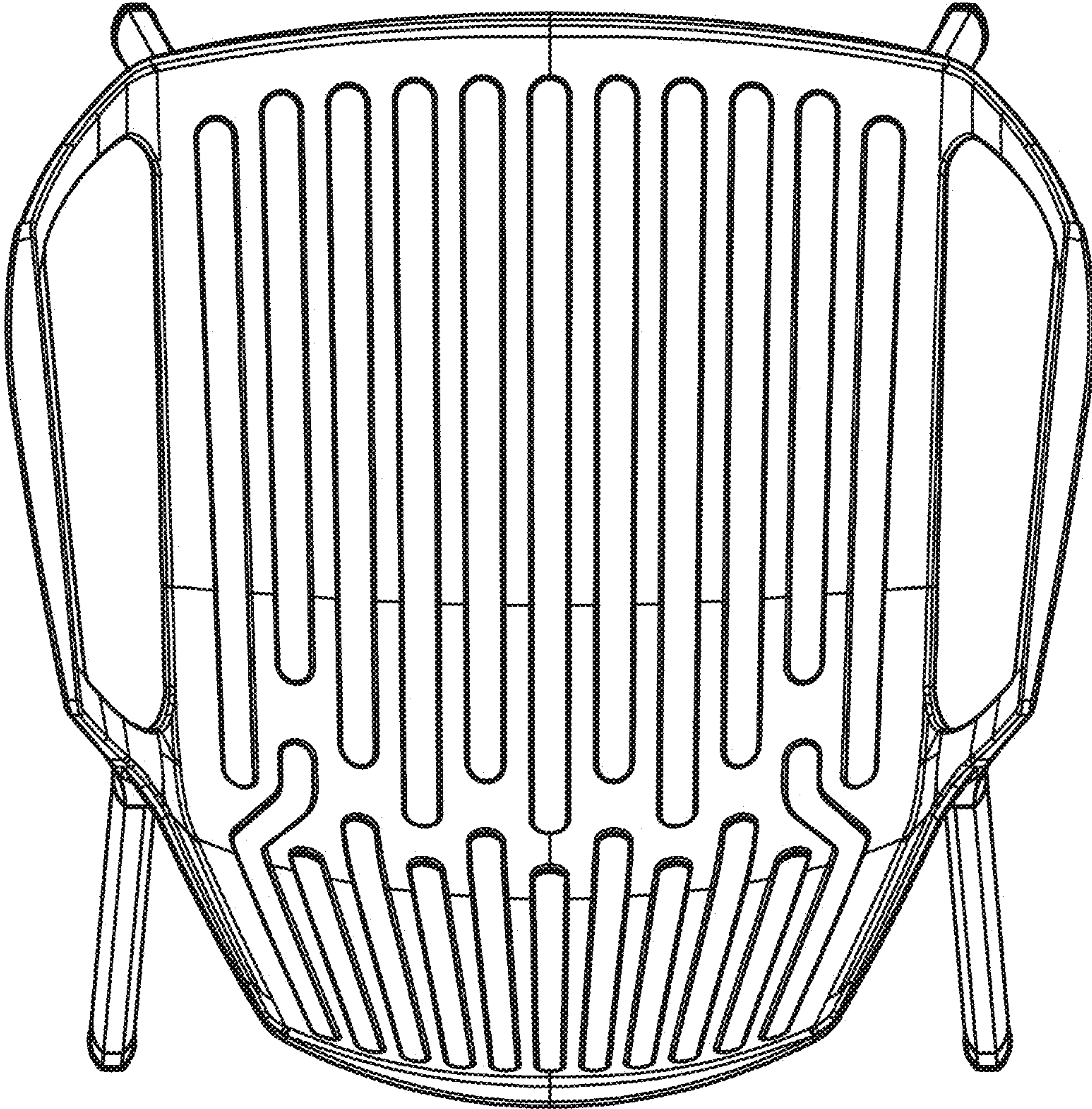


Fig. 6