



US00D707052S

(12) **United States Design Patent**
Radice et al.

(10) **Patent No.:** **US D707,052 S**
(45) **Date of Patent:** **** Jun. 17, 2014**

(54) **ARMCHAIR WITH NO LEGS OR ARMS**

(56) **References Cited**

(71) Applicant: **Fast S.p.A.**, Brescia (IT)

U.S. PATENT DOCUMENTS

(72) Inventors: **Andrea Radice**, Brescia (IT); **Folco Orlandini**, Brescia (IT)

D153,162	S	*	3/1949	Nelems	D6/347
D192,559	S	*	4/1962	Chapman	D6/375
D193,508	S	*	9/1962	Nakamura	D6/375
D199,621	S	*	11/1964	Johnson	D6/374
D210,940	S	*	5/1968	Eames	D6/375
D214,622	S	*	7/1969	Schier	D6/375
D236,670	S	*	9/1975	Uyeda	D6/375
D333,044	S	*	2/1993	Caruso	D6/373
D426,970	S	*	6/2000	Kolberg	D6/374
D564,768	S	*	3/2008	Glass et al.	D6/366
D683,559	S	*	6/2013	Weber et al.	D6/716
D686,439	S	*	7/2013	Glass et al.	D6/716
2005/0012371	A1	*	1/2005	Mendenhall et al.	297/248

(73) Assignee: **Fast, S.p.A.**, Brescia (IT)

(**) Term: **14 Years**

* cited by examiner

(21) Appl. No.: **29/465,493**

(22) Filed: **Aug. 28, 2013**

Primary Examiner — Ricky Pham

(51) **LOC (10) Cl.** **06-01**

(74) *Attorney, Agent, or Firm* — SoCal IP Law Group LLP; Guy Cumberbatch

(52) **U.S. Cl.**

USPC **D6/375**

(58) **Field of Classification Search**

USPC D6/334–336, 344–356, 360–381, 388,
D6/403, 491–502, 692, 708, 716,
D6/716.2–716.4; 297/16.1, 22, 31, 35,
297/135, 217.1, 228.12, 248, 256.16, 271.6,
297/284.4–284.5, 291, 297, 302.4, 411.2,
297/411.27–411.29, 411.43, 423.1, 423.12,
297/440.11, 440.15, 440.21–440.24, 448.1,
297/451.4, 452.13, 452.19, 452.21, 452.27,
297/452.29, 452.3, 452.41, 452.56, 452.64

See application file for complete search history.

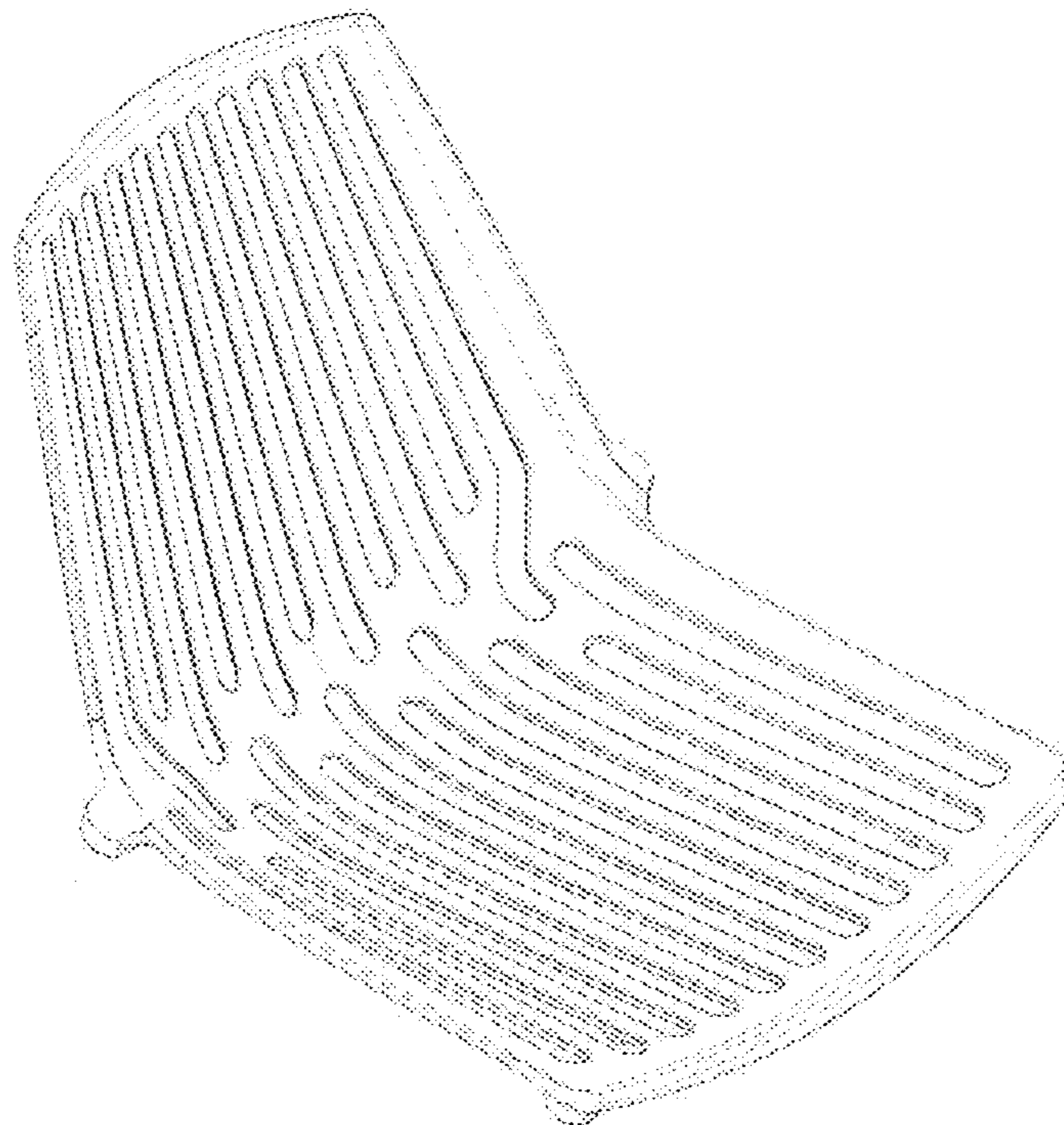
(57) **CLAIM**

The ornamental design for an armchair with no legs or arms, as shown and described.

DESCRIPTION

FIG. 1 is a perspective view of an armchair with no legs or arms;
FIG. 2 is a side elevational view of the armchair with no legs or arms;
FIG. 3 is a front elevational view of the armchair with no legs or arms; and,
FIG. 4 is a top plan view of the armchair with no legs or arms.

1 Claim, 4 Drawing Sheets



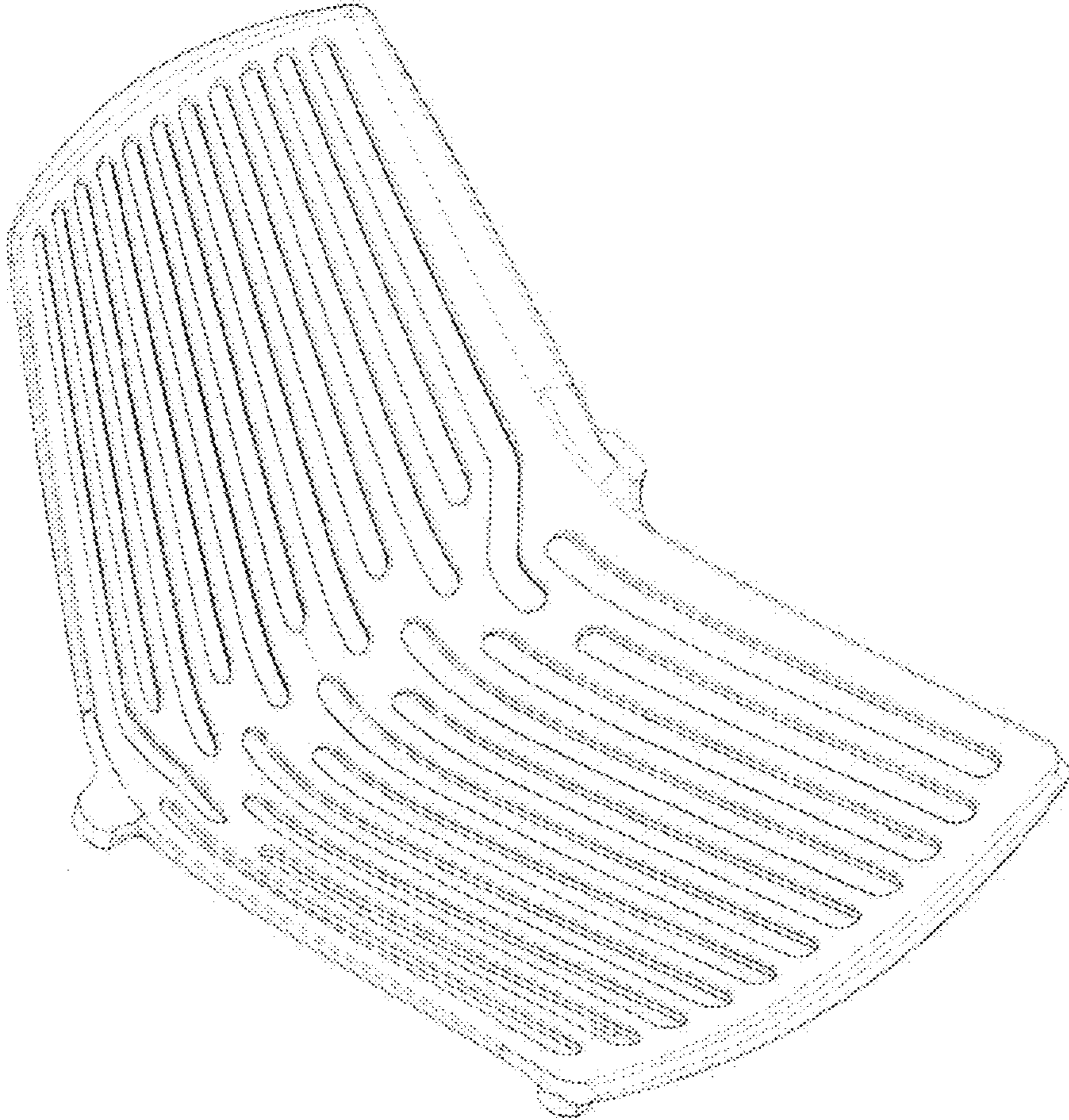


Fig. 1

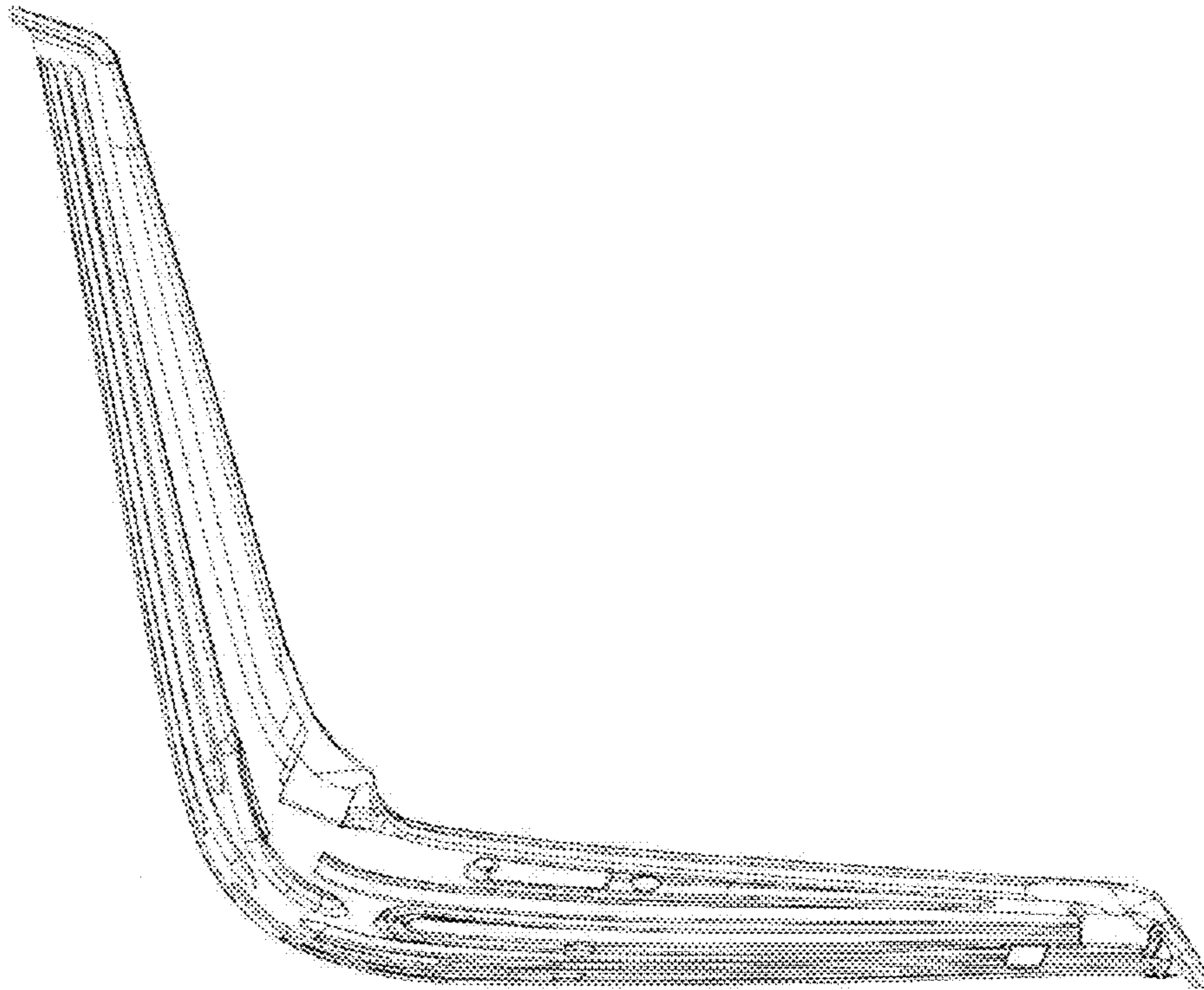


Fig. 2

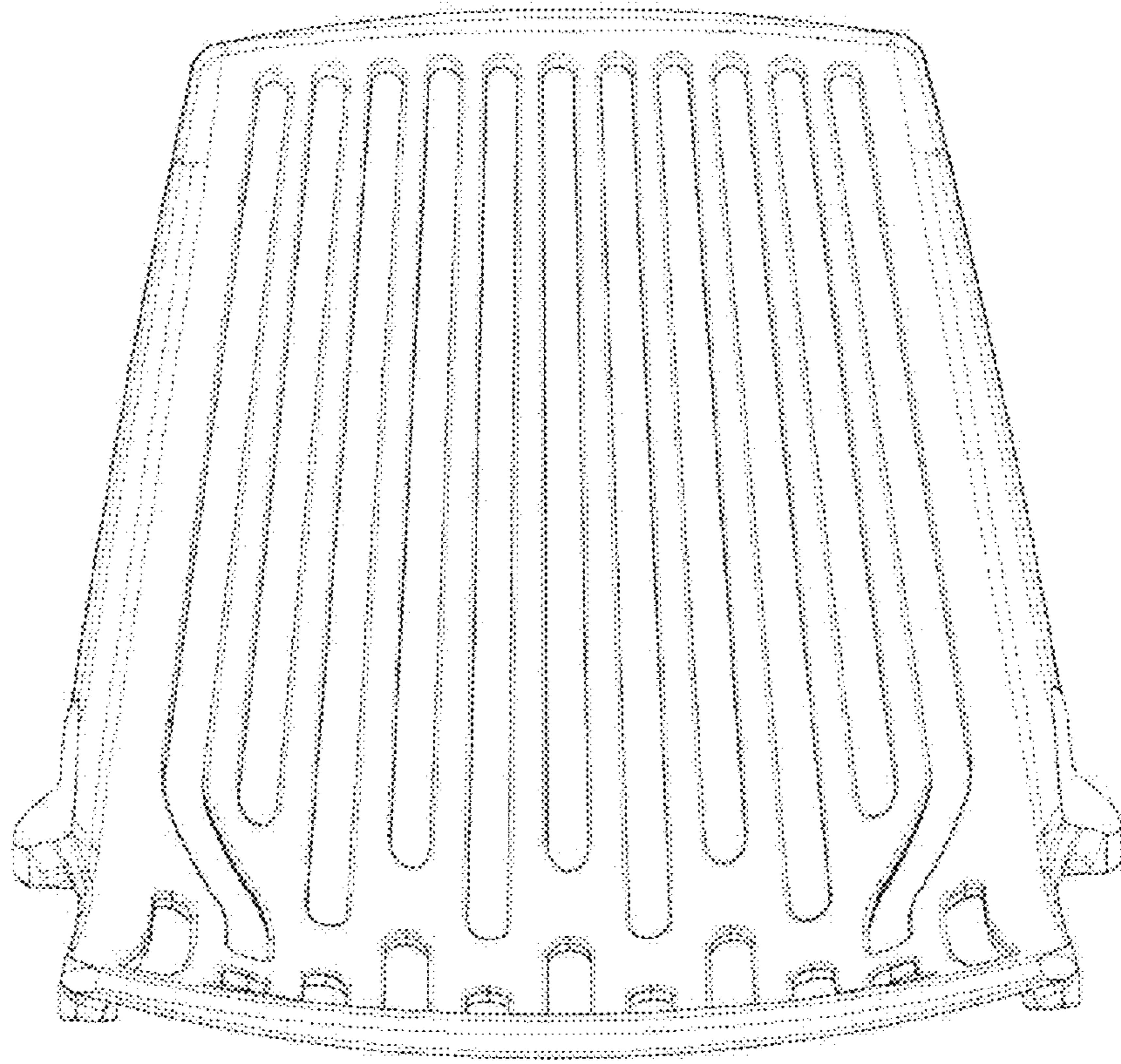


Fig. 3

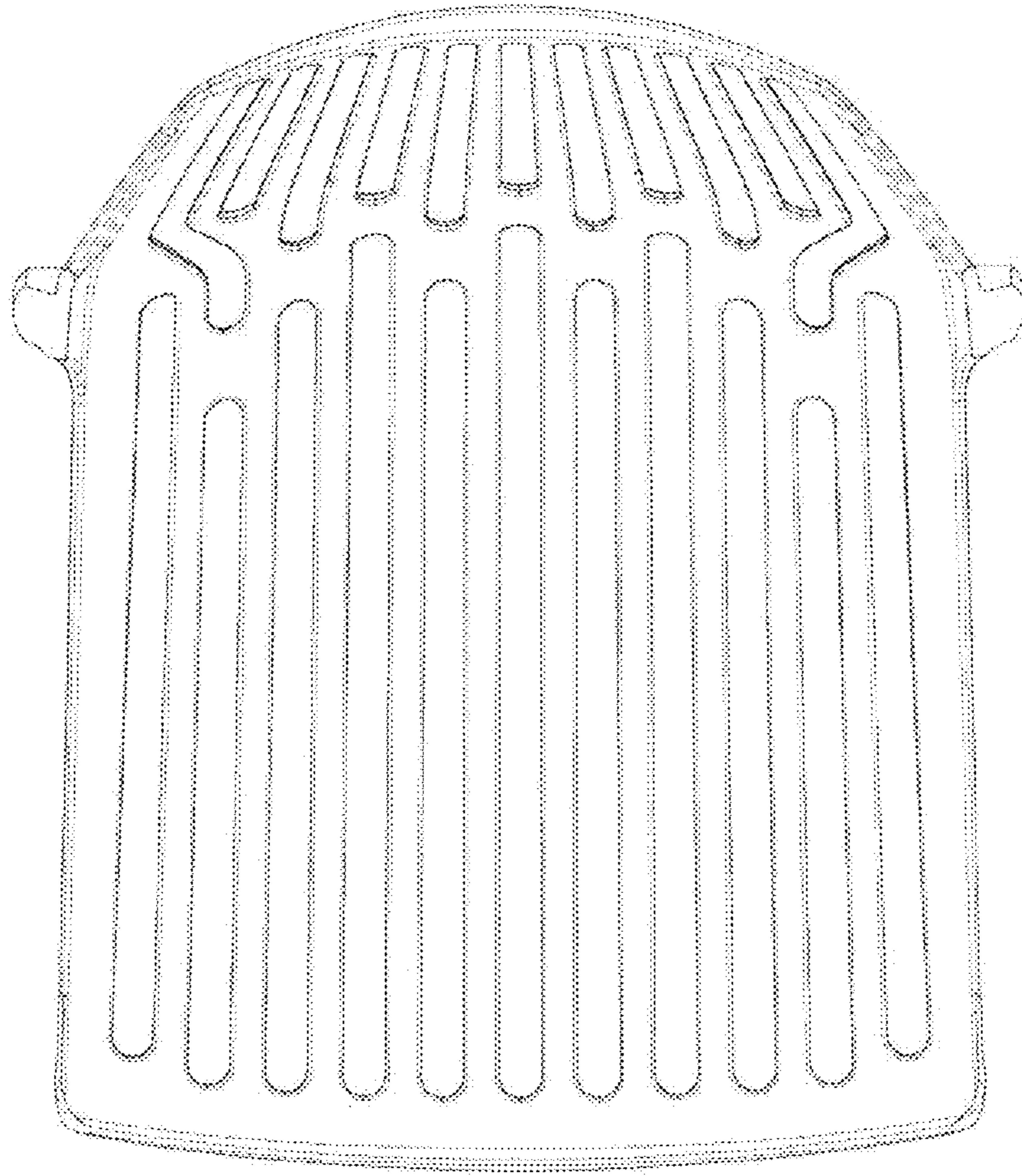


Fig. 4