



US00D707051S

(12) **United States Design Patent**  
**Radice et al.**

(10) **Patent No.:** **US D707,051 S**  
(45) **Date of Patent:** **\*\* Jun. 17, 2014**

- (54) **ARMCHAIR WITH ARMS BUT NO LEGS**
- (71) Applicant: **Fast S.p.A.**, Brescia (IT)
- (72) Inventors: **Andrea Radice**, Brescia (IT); **Folco Orlandini**, Brescia (IT)
- (73) Assignee: **Fast, S.p.A.**, Brescia (IT)
- (\*\*) Term: **14 Years**
- (21) Appl. No.: **29/465,491**
- (22) Filed: **Aug. 28, 2013**
- (51) **LOC (10) Cl.** ..... **06-01**
- (52) **U.S. Cl.**  
USPC ..... **D6/375**
- (58) **Field of Classification Search**  
USPC ..... D6/334-336, 344-356, 360-381, 388,  
D6/403, 491-502, 692, 708, 716,  
D6/716.2-716.4; 297/16.1, 22, 31, 35,  
297/135, 217.1, 228.12, 248, 256.16, 271.6,  
297/284.4-284.5, 291, 297, 302.4, 411.2,  
297/411.27-411.29, 411.43, 423.1, 423.12,  
297/440.11, 440.15, 440.21-440.24, 448.1,  
297/451.4, 452.13, 452.19, 452.21, 452.27,  
297/452.29, 452.3, 452.41, 452.56, 452.64  
See application file for complete search history.

D193,508 S *	9/1962	Nakamura .....	D6/375
D199,621 S *	11/1964	Johnson .....	D6/374
D210,940 S *	5/1968	Eames .....	D6/375
D214,622 S *	7/1969	Schier .....	D6/375
D236,670 S *	9/1975	Uyeda .....	D6/375
D333,044 S *	2/1993	Caruso .....	D6/373
D426,970 S *	6/2000	Kolberg .....	D6/374
D564,768 S *	3/2008	Glass et al. ....	D6/366
D683,559 S *	6/2013	Weber et al. ....	D6/716
D686,439 S *	7/2013	Glass et al. ....	D6/716
2005/0012371 A1 *	1/2005	Mendenhall et al. ....	297/248

\* cited by examiner

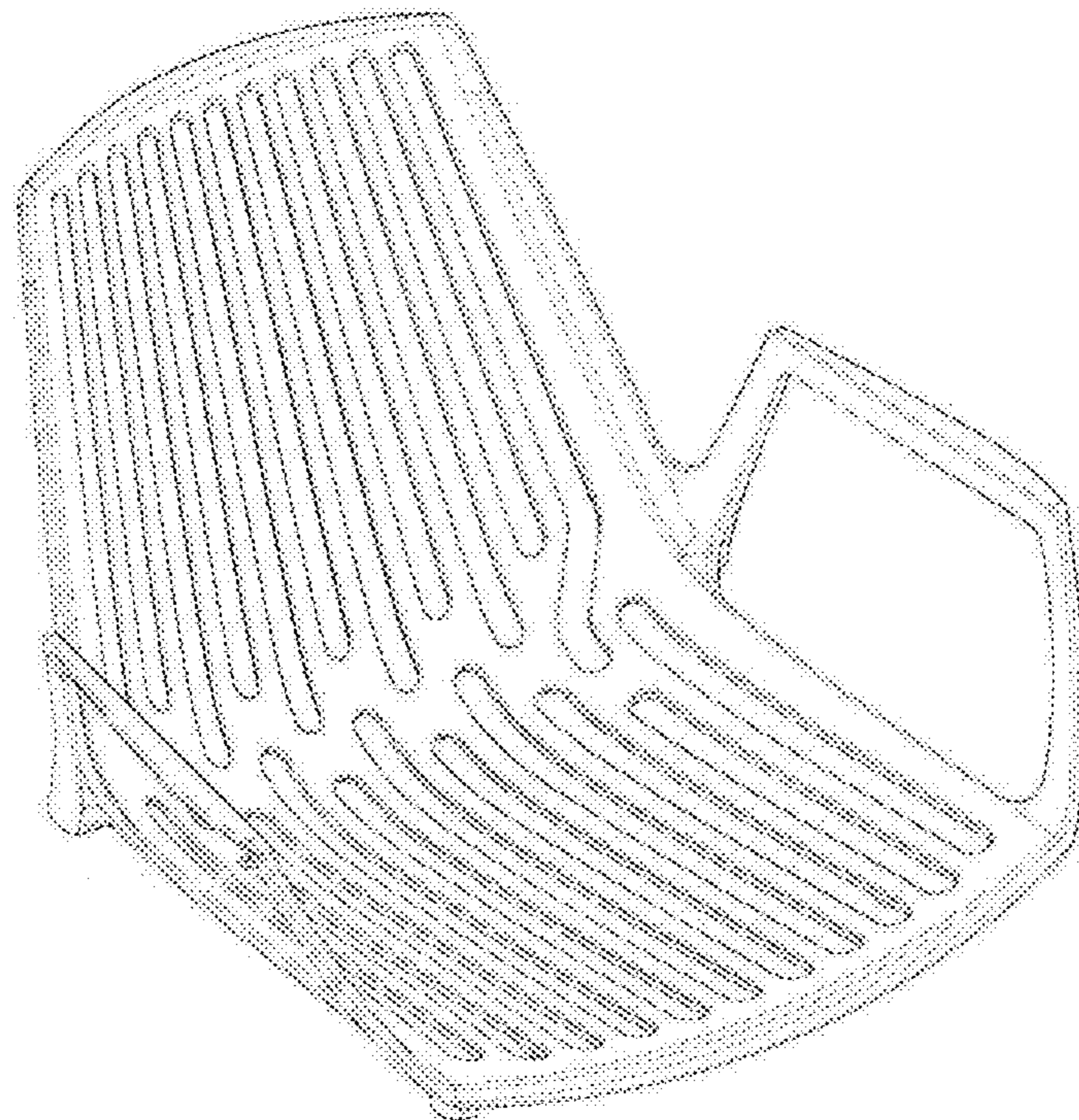
*Primary Examiner* — Ricky Pham  
(74) *Attorney, Agent, or Firm* — SoCal IP Law Group LLP;  
Guy Cumberbatch

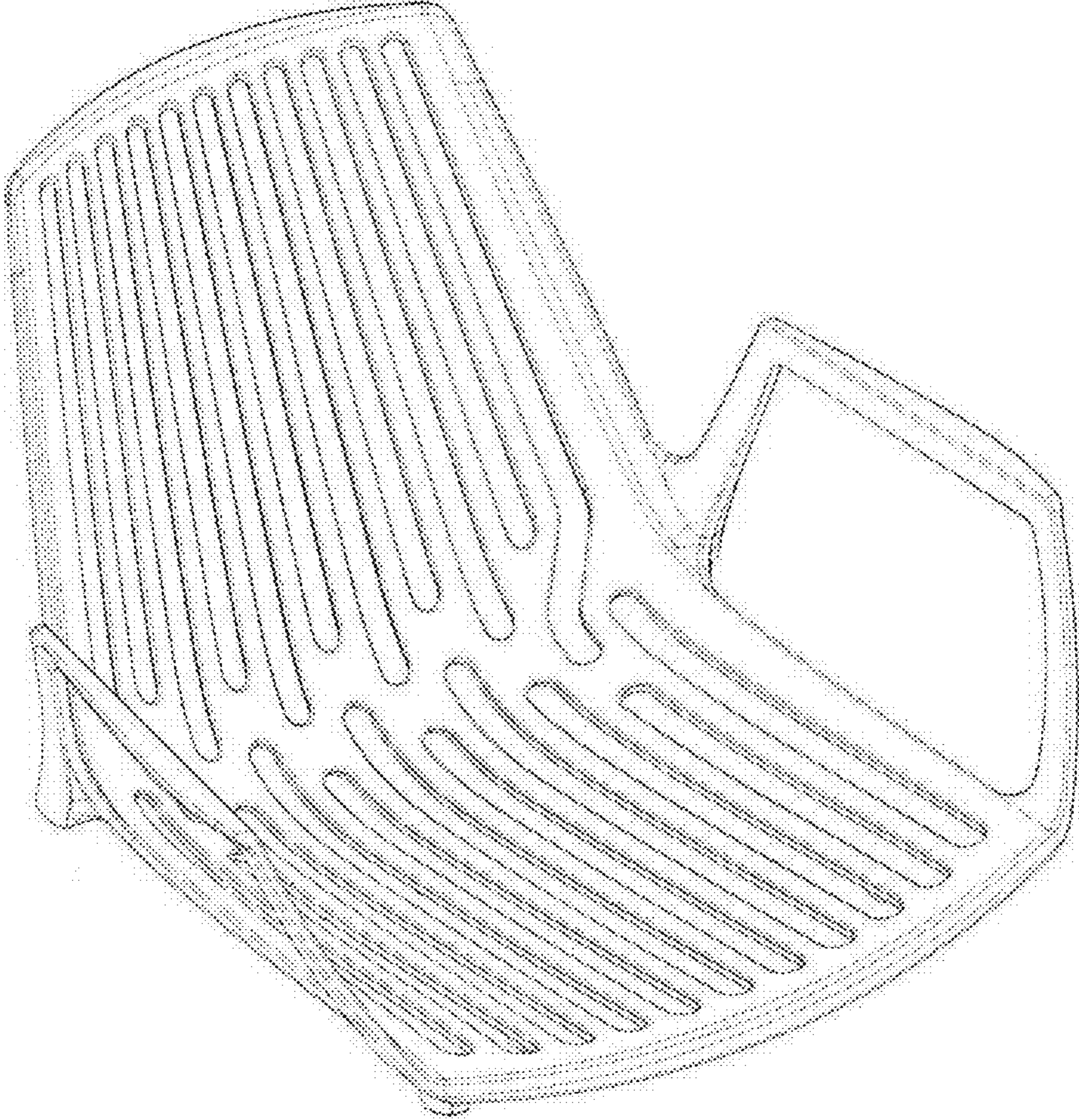
- (56) **References Cited**  
U.S. PATENT DOCUMENTS  
D153,162 S \* 3/1949 Nelems ..... D6/347  
D192,559 S \* 4/1962 Chapman ..... D6/375

(57) **CLAIM**  
The ornamental design for an armchair with arms but no legs, as shown and described.

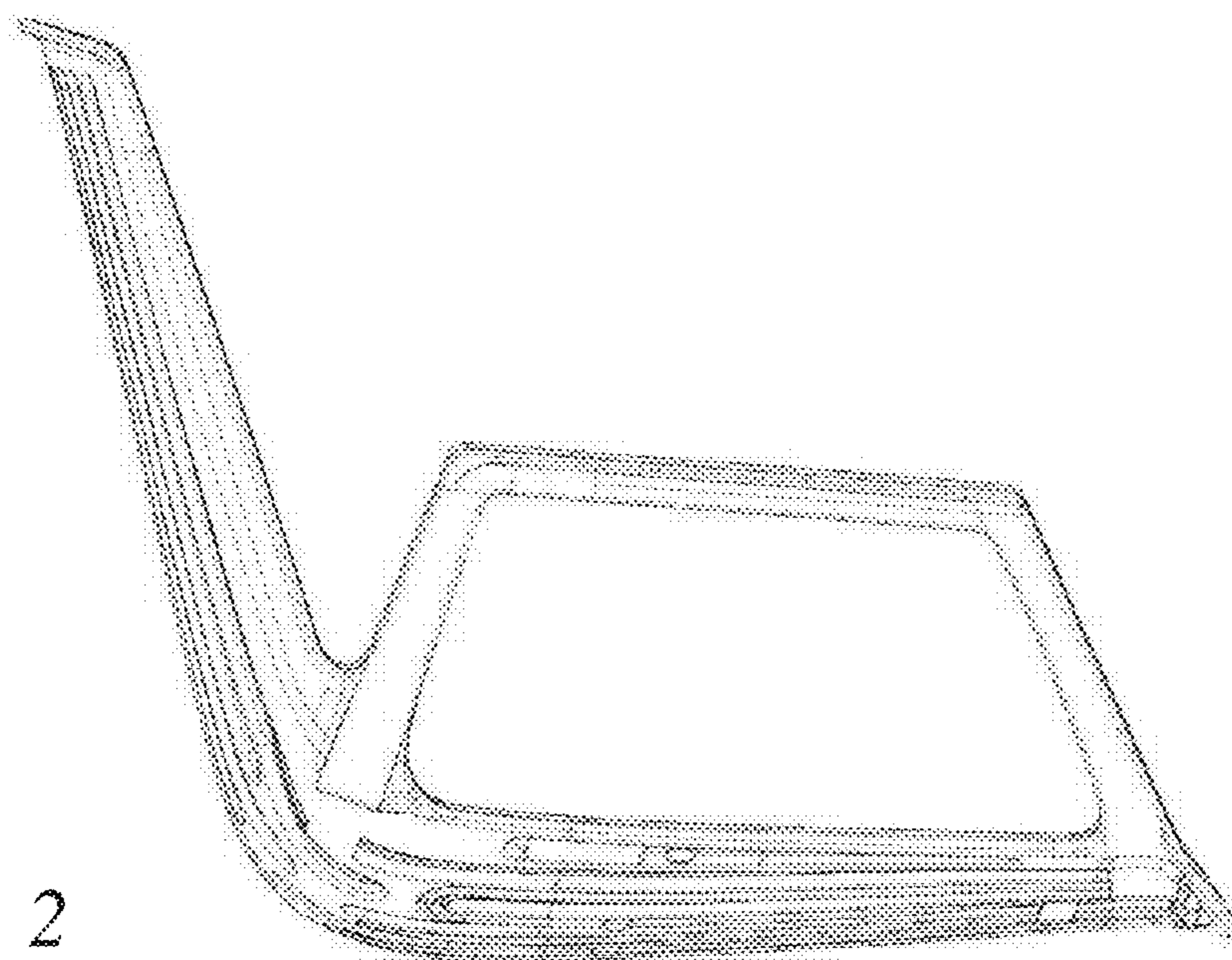
**DESCRIPTION**  
FIG. 1 is a perspective view of an armchair with arms but no legs showing our new design;  
FIG. 2 is a side elevational view thereof;  
FIG. 3 is a front elevational view thereof; and,  
FIG. 4 is a top plan view of thereof.

**1 Claim, 3 Drawing Sheets**

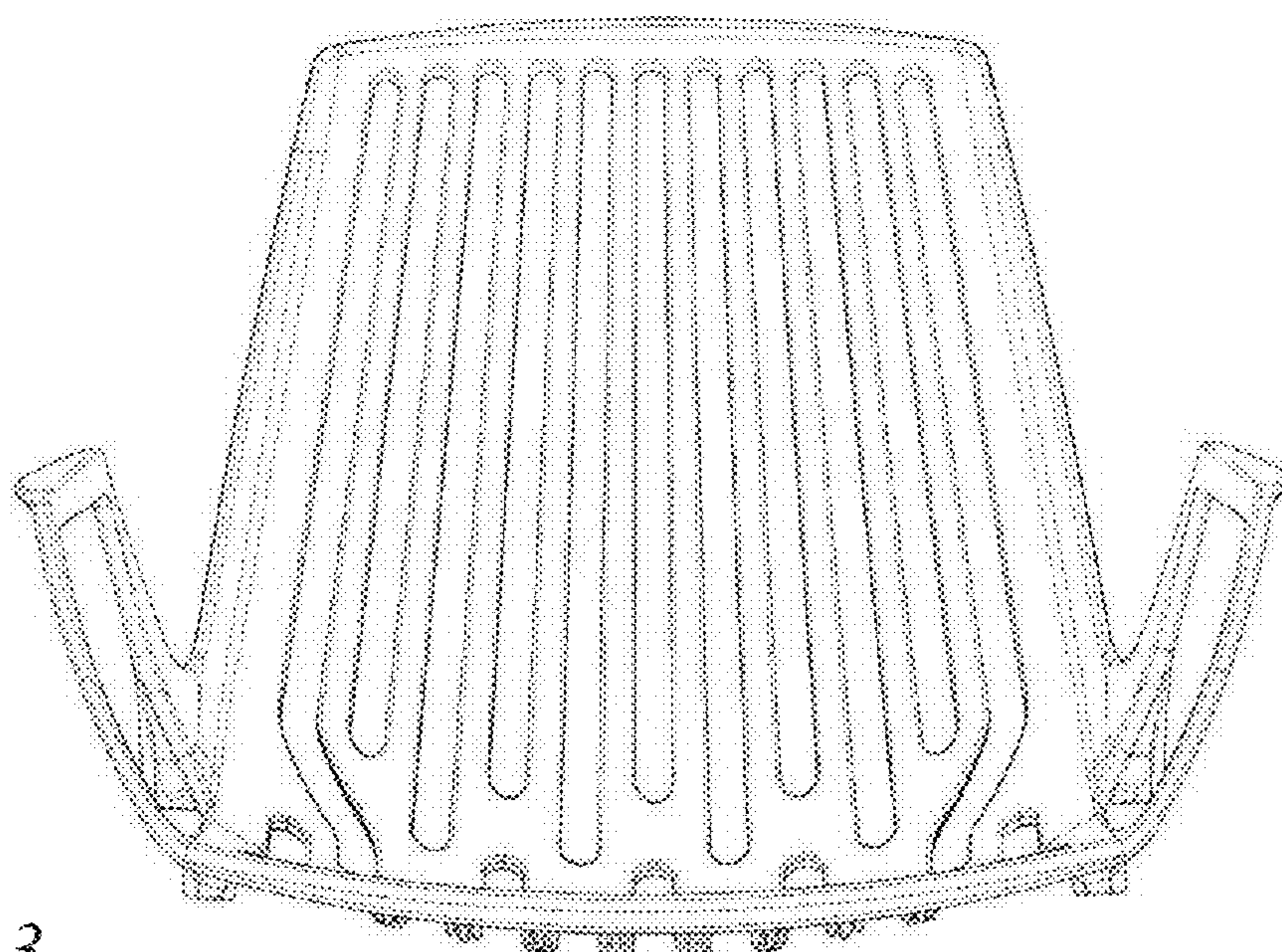




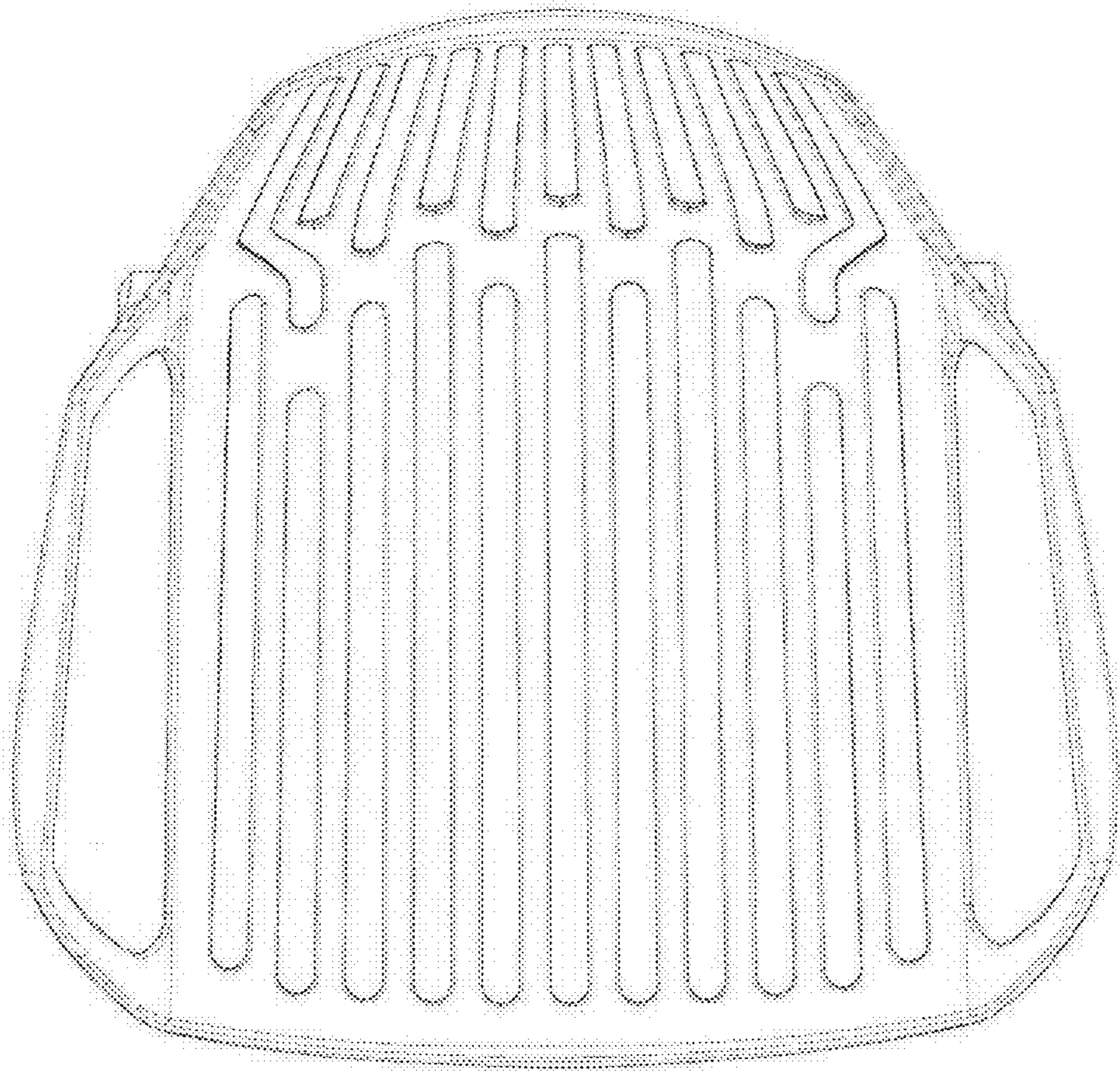
*Fig. 1*



*Fig. 2*



*Fig. 3*



*Fig. 4*