



US00D707050S

(12) **United States Design Patent**
Colby et al.

(10) **Patent No.:** **US D707,050 S**
(45) **Date of Patent:** **** Jun. 17, 2014**

(54) **FOLDING INDOOR/OUTDOOR CHAIR**

(56) **References Cited**

(71) Applicants: **Robert Gould Colby**, Mt. Vernon, OH (US); **Gretchen Rogers Colby**, Dedham, MA (US); **Jane Mautz**, Fresno, OH (US)

U.S. PATENT DOCUMENTS

| | | | | | |
|-----------|-----|--------|--------------|-------|--------|
| 1,949,282 | A * | 2/1934 | Murray | | 297/31 |
| 2,741,298 | A * | 4/1956 | Roberts, III | | 297/56 |
| D221,146 | S * | 7/1971 | McComas | | D6/368 |
| D395,763 | S * | 7/1998 | Machell | | D6/368 |

(72) Inventors: **Robert Gould Colby**, Mt. Vernon, OH (US); **Gretchen Rogers Colby**, Dedham, MA (US); **Jane Mautz**, Fresno, OH (US)

* cited by examiner

Primary Examiner — Mimoso De

(73) Assignee: **Commonwealth Americana, LLC**, Cochocton, OH (US)

(57) **CLAIM**
The ornamental design for a folding indoor/outdoor chair, as shown and described.

(**) Term: **14 Years**

DESCRIPTION

(21) Appl. No.: **29/464,618**

(22) Filed: **Aug. 19, 2013**

(51) **LOC (10) Cl.** **06-01**

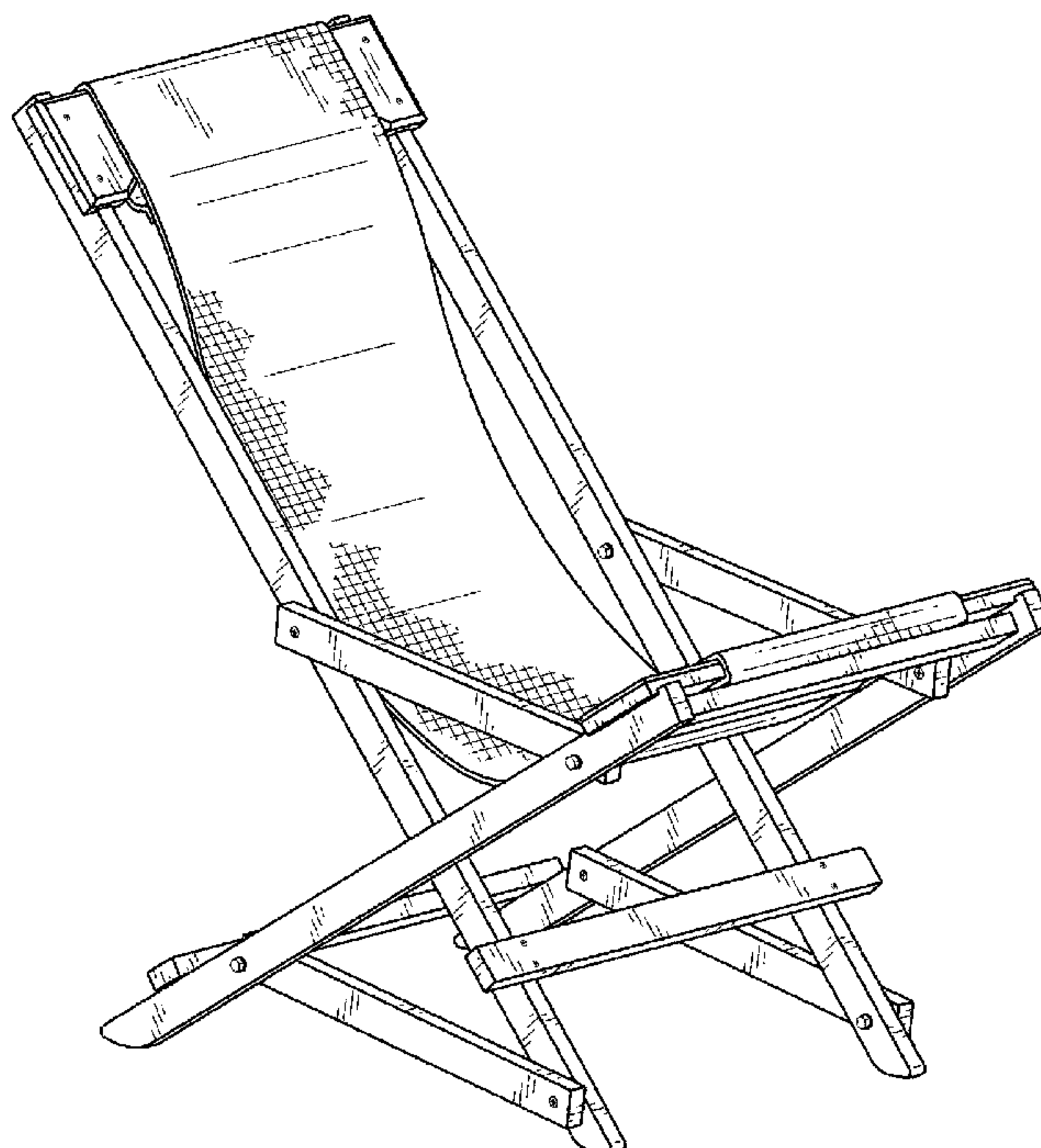
(52) **U.S. Cl.**
USPC **D6/368**

(58) **Field of Classification Search**
USPC D6/334–336, 367, 368, 371–373, 374, D6/375, 379, 380, 716, 716.1, 716.2, D6/716.3, 716.4; 297/16.1, 31, 45, 46, 48, 297/55, 56, 440.11, 451.9, 452.13

FIG. 1 is a perspective front view of the folding indoor/outdoor chair;
FIG. 2 is a front elevation view of the folding indoor/outdoor chair;
FIG. 3 is a rear elevation view of the folding indoor/outdoor chair;
FIG. 4 is a left side elevation view of the folding indoor/outdoor chair; the right side view being a mirror image thereof;
FIG. 5 is a top plan view of the folding indoor/outdoor chair; and,
FIG. 6 is a bottom plan view of the folding indoor/outdoor chair.

See application file for complete search history.

1 Claim, 3 Drawing Sheets



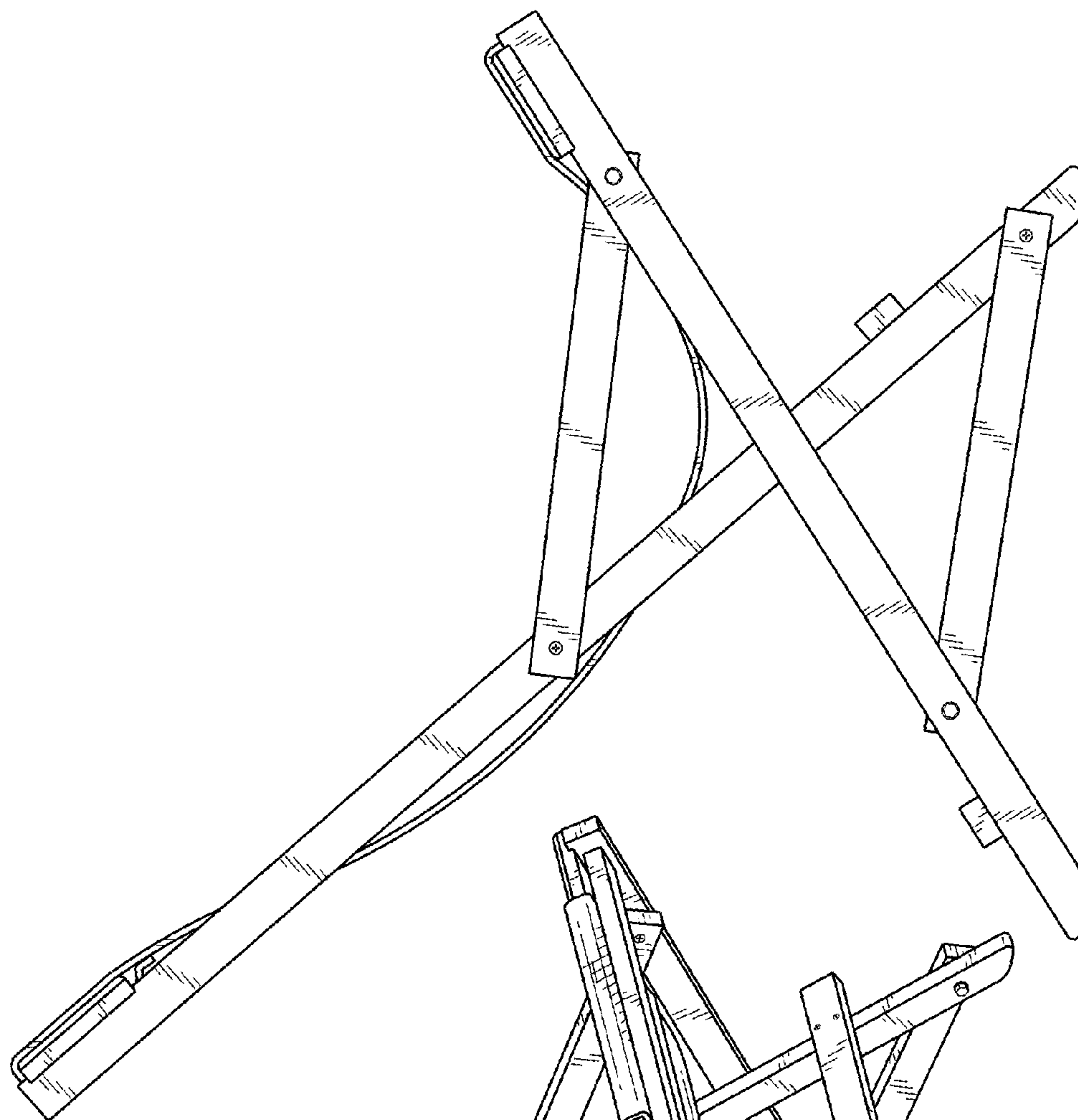


FIG. 4

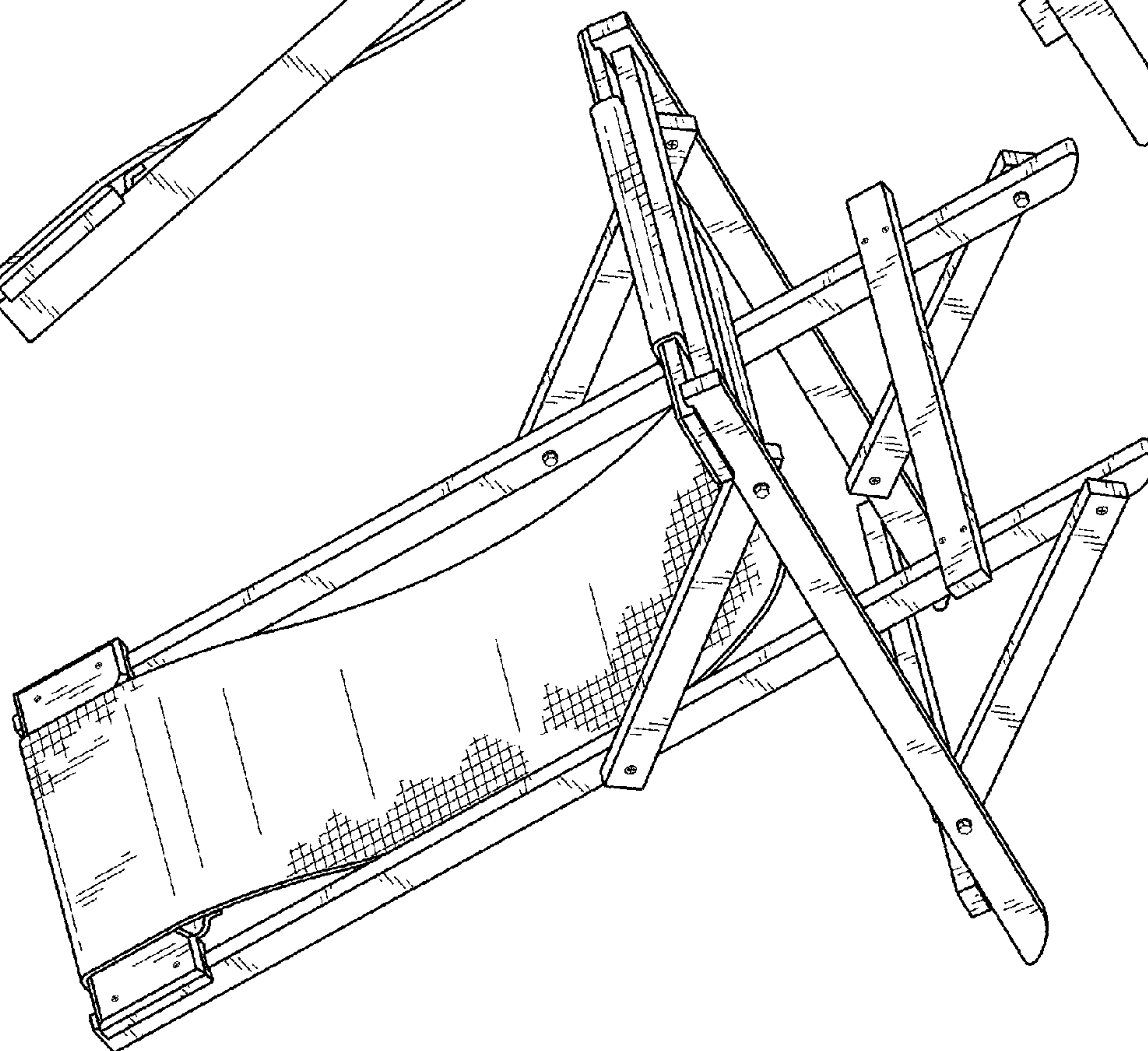


FIG. 1

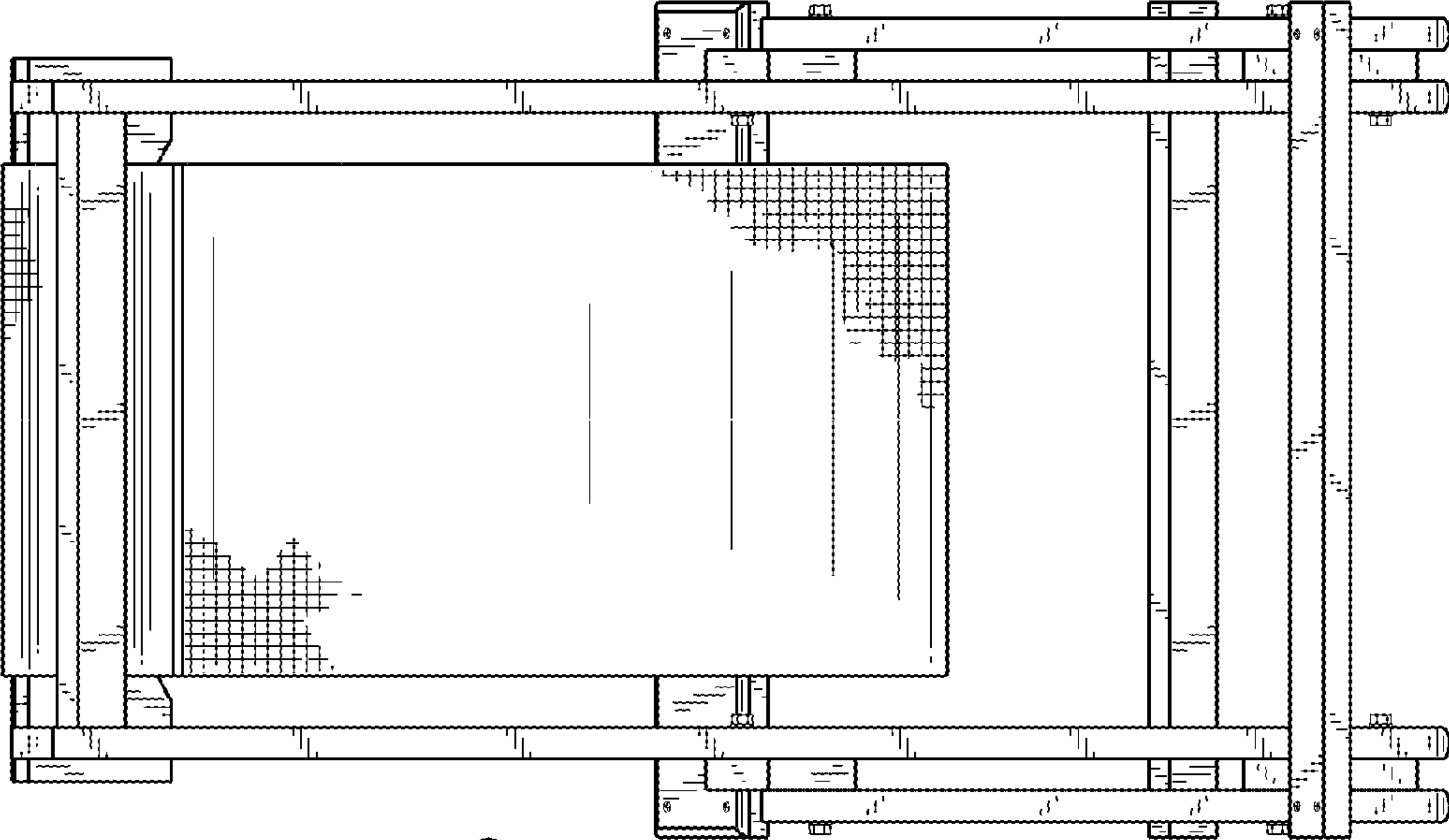


FIG. 3

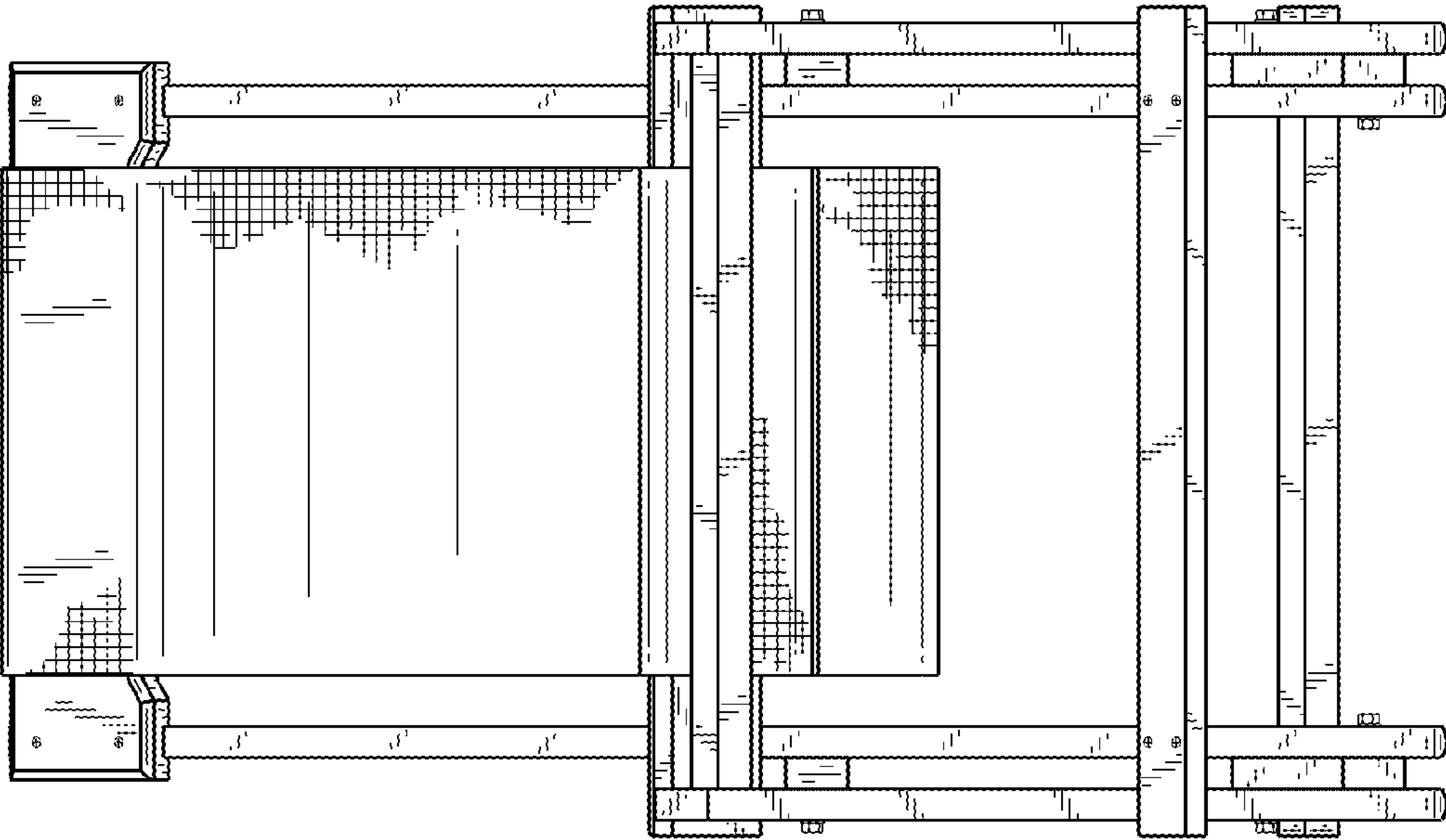


FIG. 2

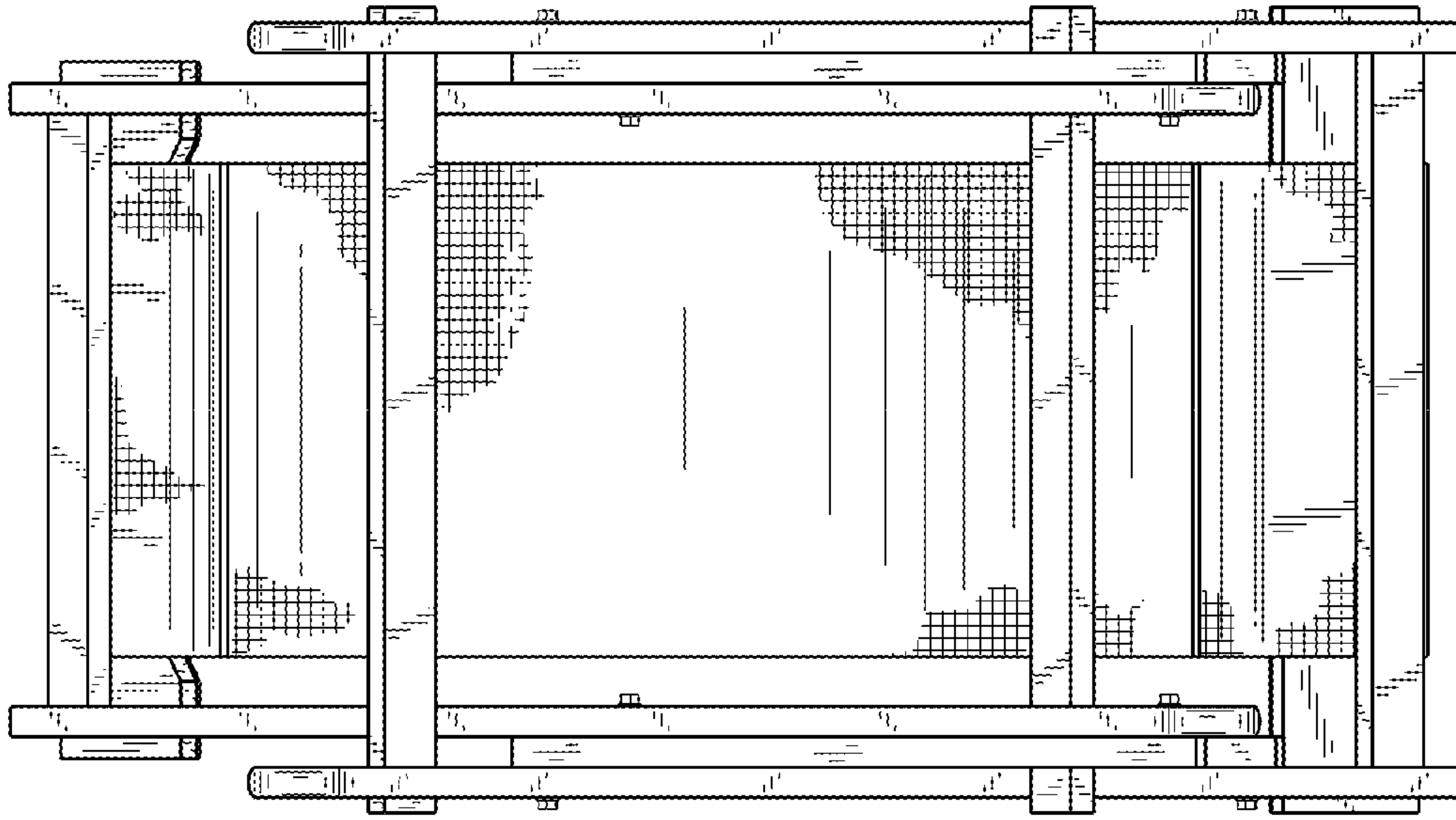


FIG. 6

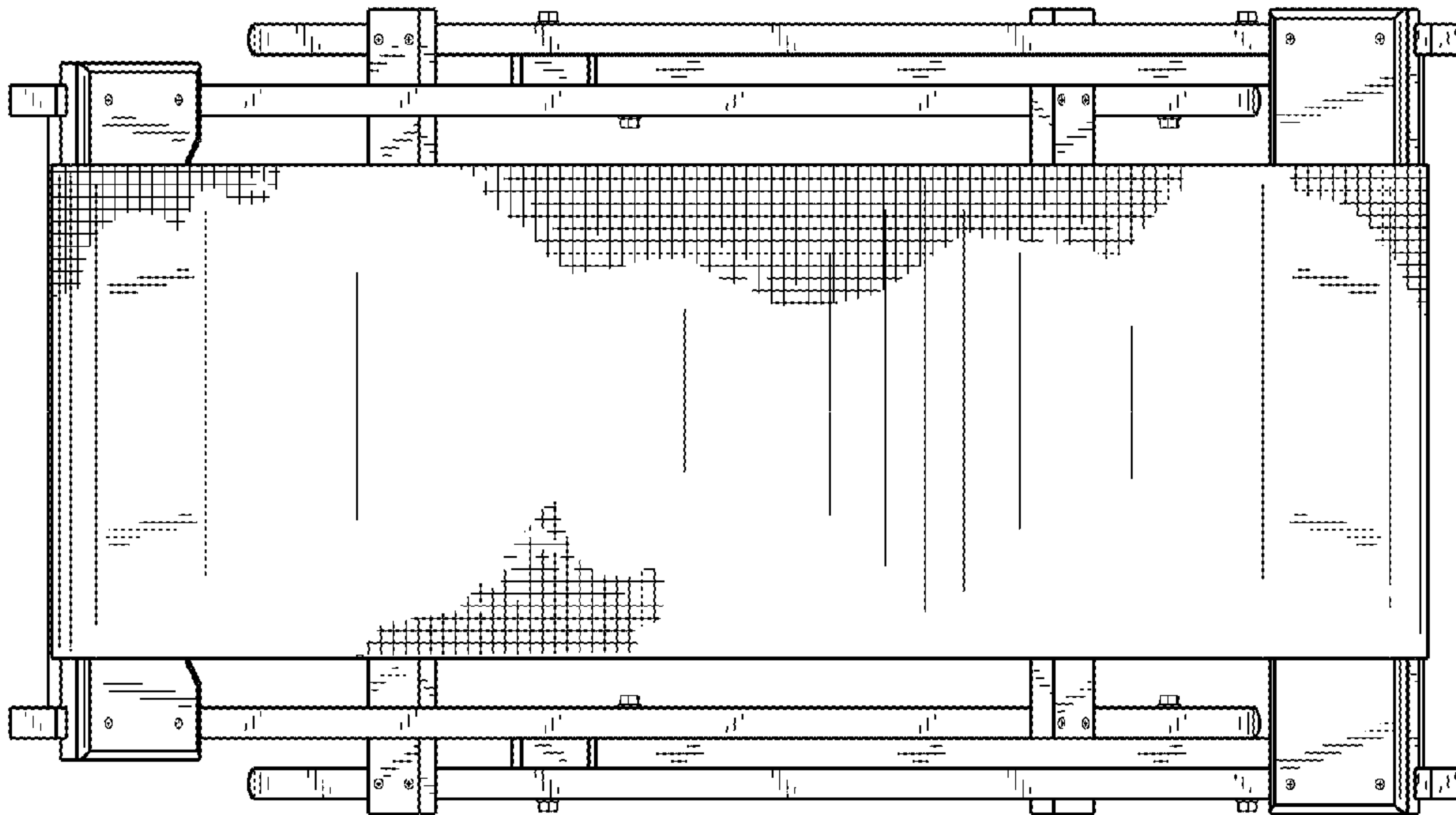


FIG. 5