



US00D707049S

(12) **United States Design Patent**
Asner

(10) **Patent No.:** **US D707,049 S**
(45) **Date of Patent:** **** Jun. 17, 2014**

(54) **CHAISE LOUNGE**

(71) Applicant: **Country Casual, Inc.**, Gaithersburg,
MD (US)

(72) Inventor: **Kimberly E. Asner**, Baltimore, MD
(US)

(73) Assignee: **Country Casual, Inc.**, Gaithersburg,
MD (US)

(**) Term: **14 Years**

(21) Appl. No.: **29/461,392**

(22) Filed: **Jul. 23, 2013**

(51) **LOC (10) Cl.** **06-01**

(52) **U.S. Cl.**
USPC **D6/361**

(58) **Field of Classification Search**
USPC D6/334–336, 361, 367, 369, 370, 374,
D6/375, 716, 716.1, 716.2, 716.3, 716.4;
5/12.1, 652, 656, 657; 297/353, 354.1,
297/377, 423.1, 451.9, 452.63, 452.64

See application file for complete search history.

(56) **References Cited**

U.S. PATENT DOCUMENTS

D211,338 S *	6/1968	Schultz	D6/361
D226,061 S *	1/1973	Kellman	D6/361
D515,324 S *	2/2006	Grosfillex	D6/361
D517,333 S *	3/2006	Grosfillex	D6/361
D545,581 S *	7/2007	Gower	D6/361
D657,969 S *	4/2012	Nguyen	D6/361

* cited by examiner

Primary Examiner — Mimosa De

(74) *Attorney, Agent, or Firm* — Rosenberg, Klein & Lee

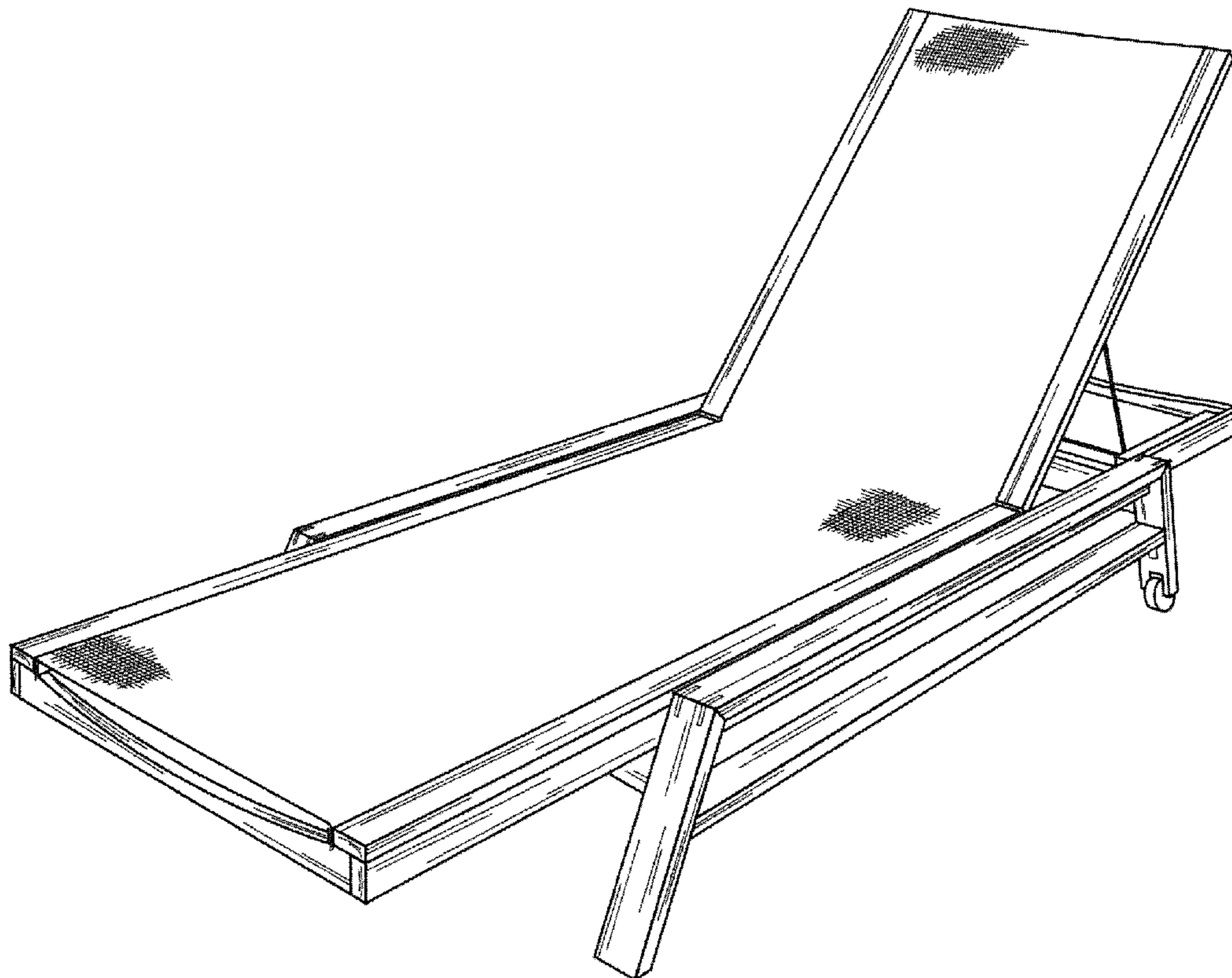
(57) **CLAIM**

The ornamental design of an chaise lounge, as shown and described.

DESCRIPTION

FIG. 1 is a frontal perspective view of the chaise lounge showing my new design;
FIG. 2 is a right elevational view thereof, the left elevational view being identical;
FIG. 3 is a front elevational view thereof;
FIG. 4 is a bottom plan view thereof;
FIG. 5 is a top plan view thereof; and,
FIG. 6 is a rear elevational view thereof.

1 Claim, 6 Drawing Sheets



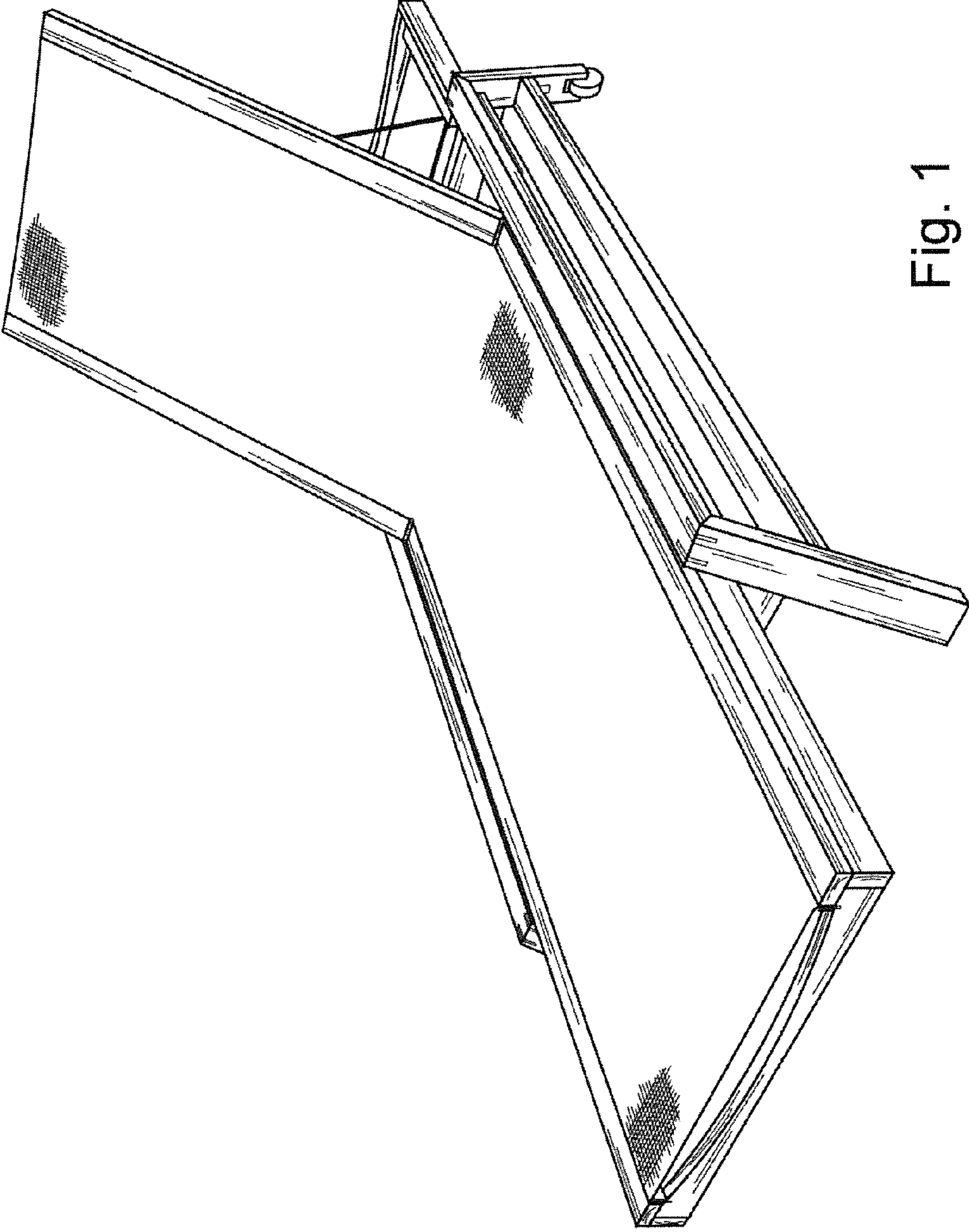


Fig. 1

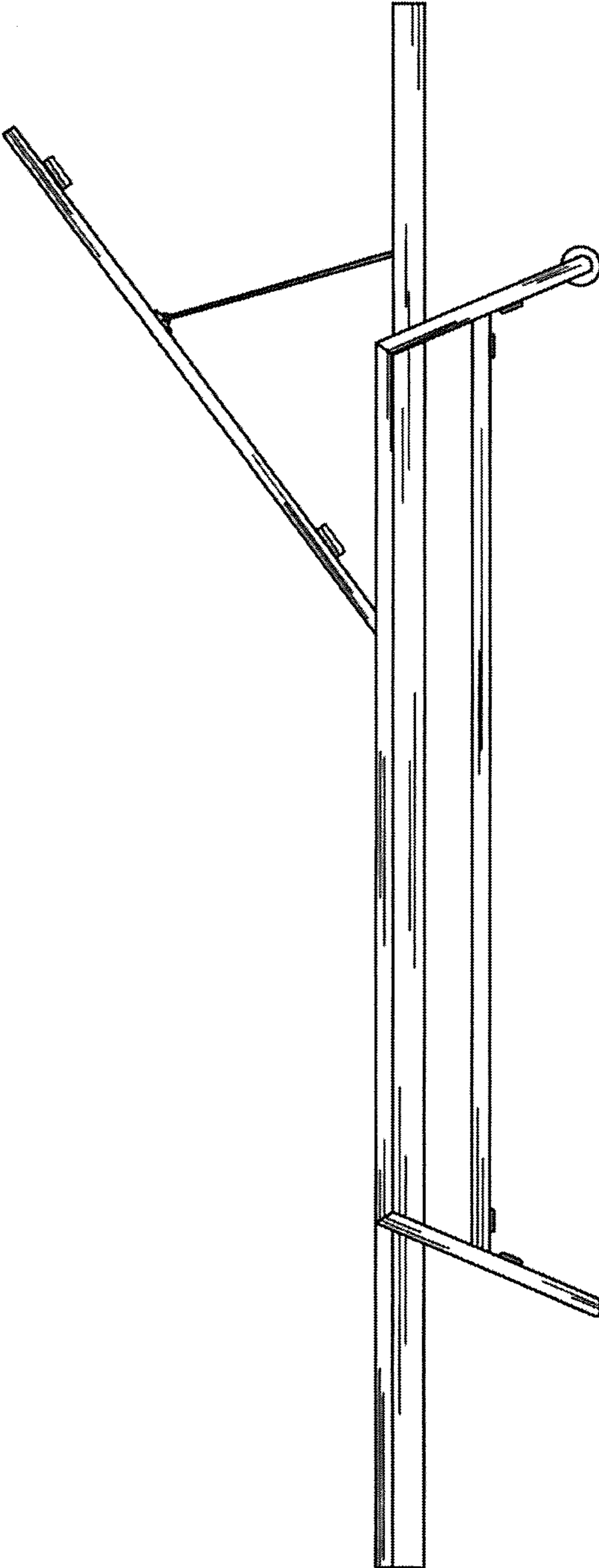


Fig. 2

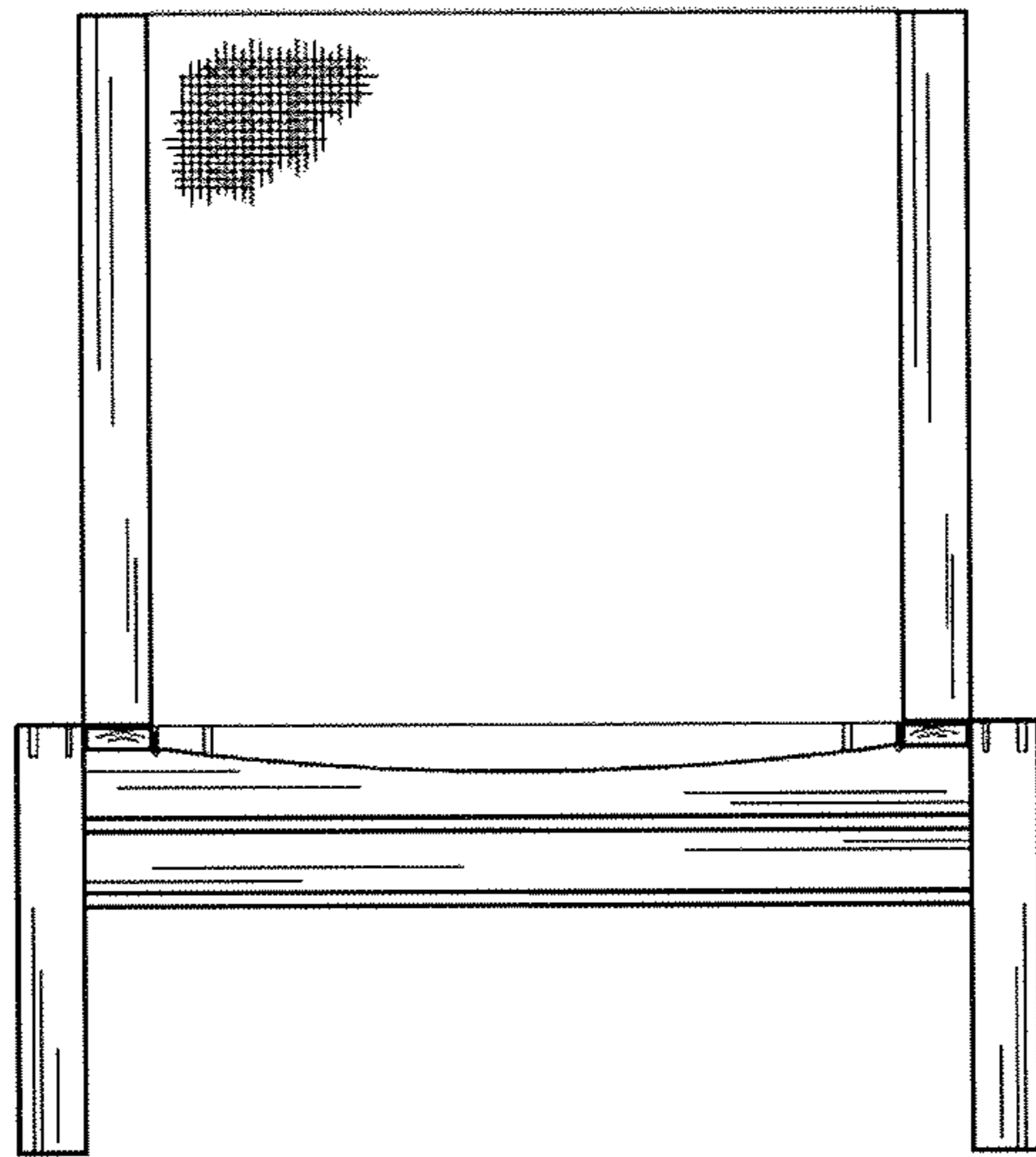


Fig. 3

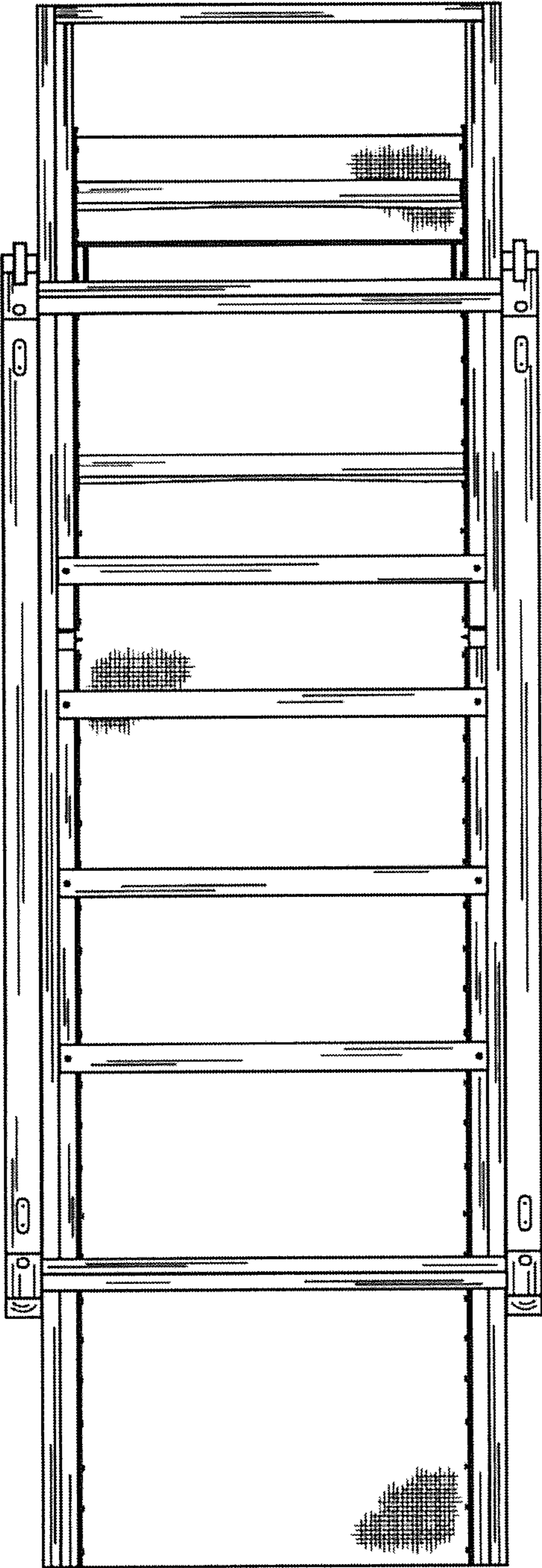


Fig. 4

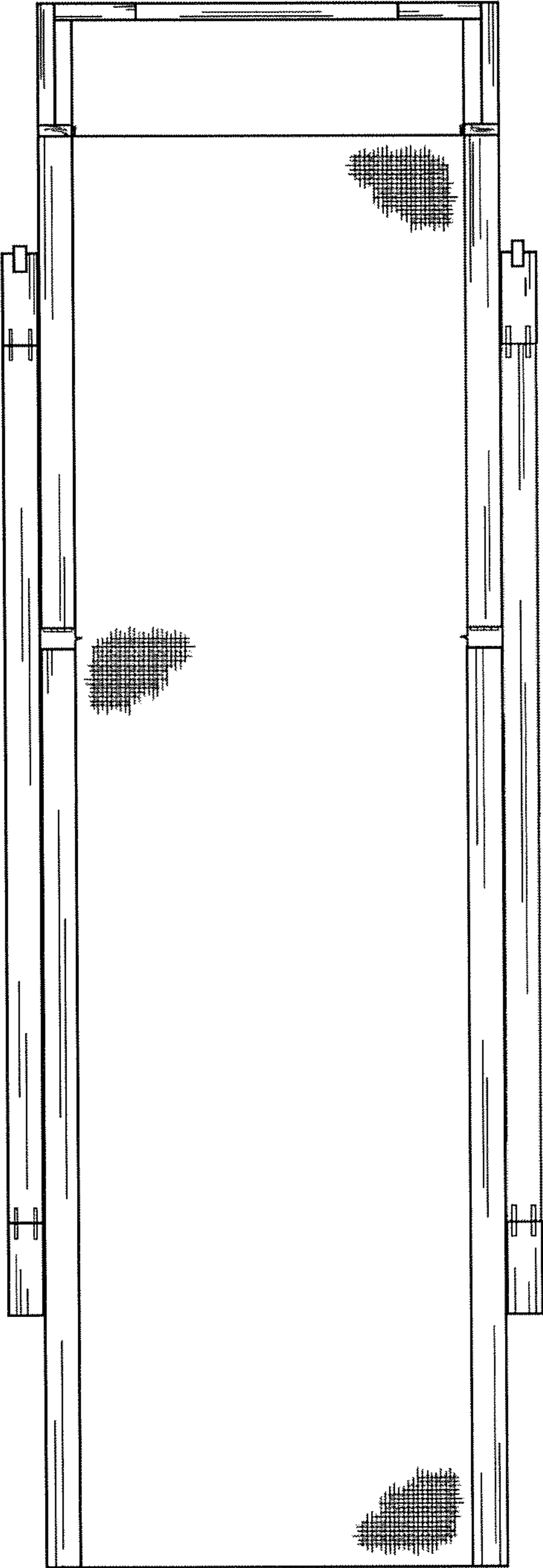


Fig. 5

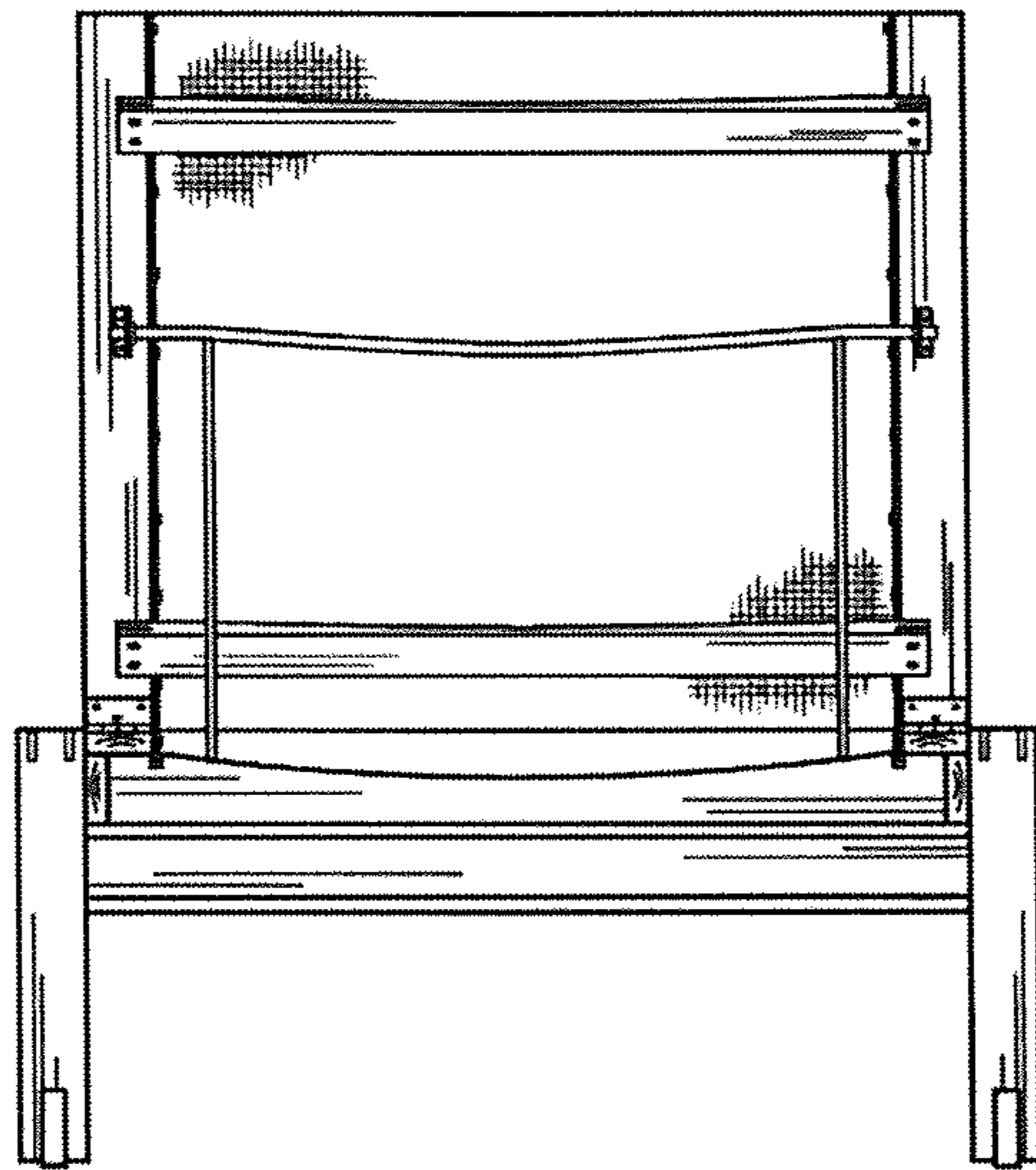


Fig. 6