



US00D707044S

(12) **United States Design Patent**  
**Kaijun**

(10) **Patent No.:** **US D707,044 S**  
(45) **Date of Patent:** **\*\* Jun. 17, 2014**

- (54) **BRUSH**
- (71) Applicant: **John Li Kaijun**, Guangzhou (CN)
- (72) Inventor: **John Li Kaijun**, Guangzhou (CN)
- (73) Assignee: **Hyde Tools, Inc.**, Southbridge, MA (US)
- (\*\*) Term: **14 Years**
- (21) Appl. No.: **29/453,093**
- (22) Filed: **Apr. 25, 2013**
- (51) **LOC (10) Cl.** ..... **04-99**
- (52) **U.S. Cl.**  
USPC ..... **D4/199**
- (58) **Field of Classification Search**  
USPC ..... D4/100, 102, 118, 119, 122, 129, 138;  
D8/107; D32/52; 15/23-27, 106, 111,  
15/143.1, 179, 183; 16/430  
See application file for complete search history.

D449,739	S	*	10/2001	Gringer	.....	D4/118
D454,000	S	*	3/2002	Gringer	.....	D4/118
D480,219	S	*	10/2003	Mastroianni	.....	D4/138
6,695,413	B1	*	2/2004	Barwick	.....	300/21
D493,287	S	*	7/2004	Hay et al.	.....	D4/130
D549,465	S	*	8/2007	Hay et al.	.....	D4/199
D555,362	S	*	11/2007	Arvinte	.....	D4/130
D613,070	S	*	4/2010	Huang	.....	D4/129
D621,622	S	*	8/2010	Giacolo et al.	.....	D4/199
D637,006	S	*	5/2011	Marsden et al.	.....	D4/199
D658,895	S	*	5/2012	Pottes et al.	.....	D4/199
D660,600	S	*	5/2012	Pottes	.....	D4/199
D685,193	S	*	7/2013	Kaijun	.....	D4/199

\* cited by examiner

*Primary Examiner* — Austin Murphy

(74) *Attorney, Agent, or Firm* — Andrew F. Young, Esq.;  
Lackebach Siegel, LLP

(57) **CLAIM**

The ornamental design for a brush, as shown and described.

**DESCRIPTION**

This application claims domestic priority from U.S. patent application Ser. No. 29/391,330 filed May 6, 2011, the contents of which are fully incorporated by reference.

FIG. 1 is a front perspective view of a first embodiment of the invention.

FIG. 2 is a top plan view of FIG. 1.

FIG. 3 is a bottom plan view of FIG. 1.

FIG. 4 is a front elevation view of FIG. 1.

FIG. 5 is a rear elevation view of FIG. 1.

FIG. 6 is a left side elevation view of FIG. 1; and,

FIG. 7 is a right side elevation view of FIG. 1.

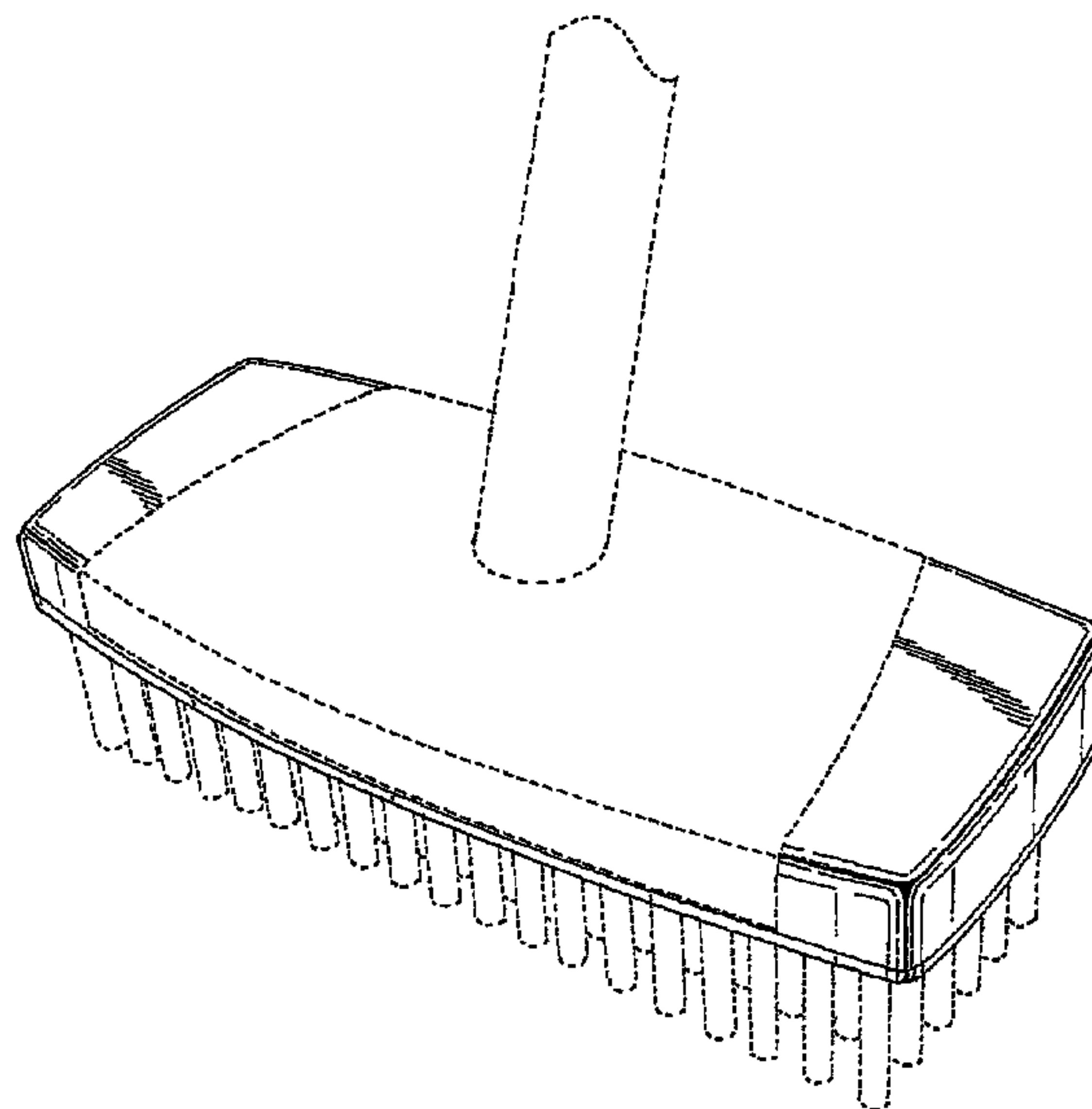
The dashed lines in FIGS. 1-7 are for illustrative purposes only and form no part of the claimed design. The projecting dashed pole member, dashed bristles, dashed threads or dashed hole are for purposes of illustration only and form no part of the claimed ornamental invention.

**1 Claim, 5 Drawing Sheets**

(56) **References Cited**

U.S. PATENT DOCUMENTS

D29,883	S	*	12/1898	Fox	.....	D4/130
1,028,547	A	*	6/1912	Copeland	.....	15/145
1,152,461	A	*	9/1915	Wright	.....	248/473
D99,109	S	*	3/1936	Bickel	.....	D4/132
D99,111	S	*	3/1936	Bickel	.....	D4/132
2,317,123	A	*	4/1943	Warp	.....	40/314
2,489,707	A	*	11/1949	Eubanks	.....	206/361
3,093,855	A	*	6/1963	Stevens	.....	15/160
D209,130	S	*	11/1967	Brookes	.....	D4/130
3,787,922	A	*	1/1974	Foy et al.	.....	16/404
3,797,795	A	*	3/1974	Hemgren	.....	248/316.7
5,522,164	A	*	6/1996	Fallon	.....	40/314
D375,842	S	*	11/1996	Gringer	.....	D4/132
D378,959	S	*	4/1997	Gringer	.....	D4/132
5,649,621	A	*	7/1997	Brody	.....	206/349
5,930,925	A	*	8/1999	Gringer	.....	40/314
D441,961	S	*	5/2001	Gringer	.....	D4/130



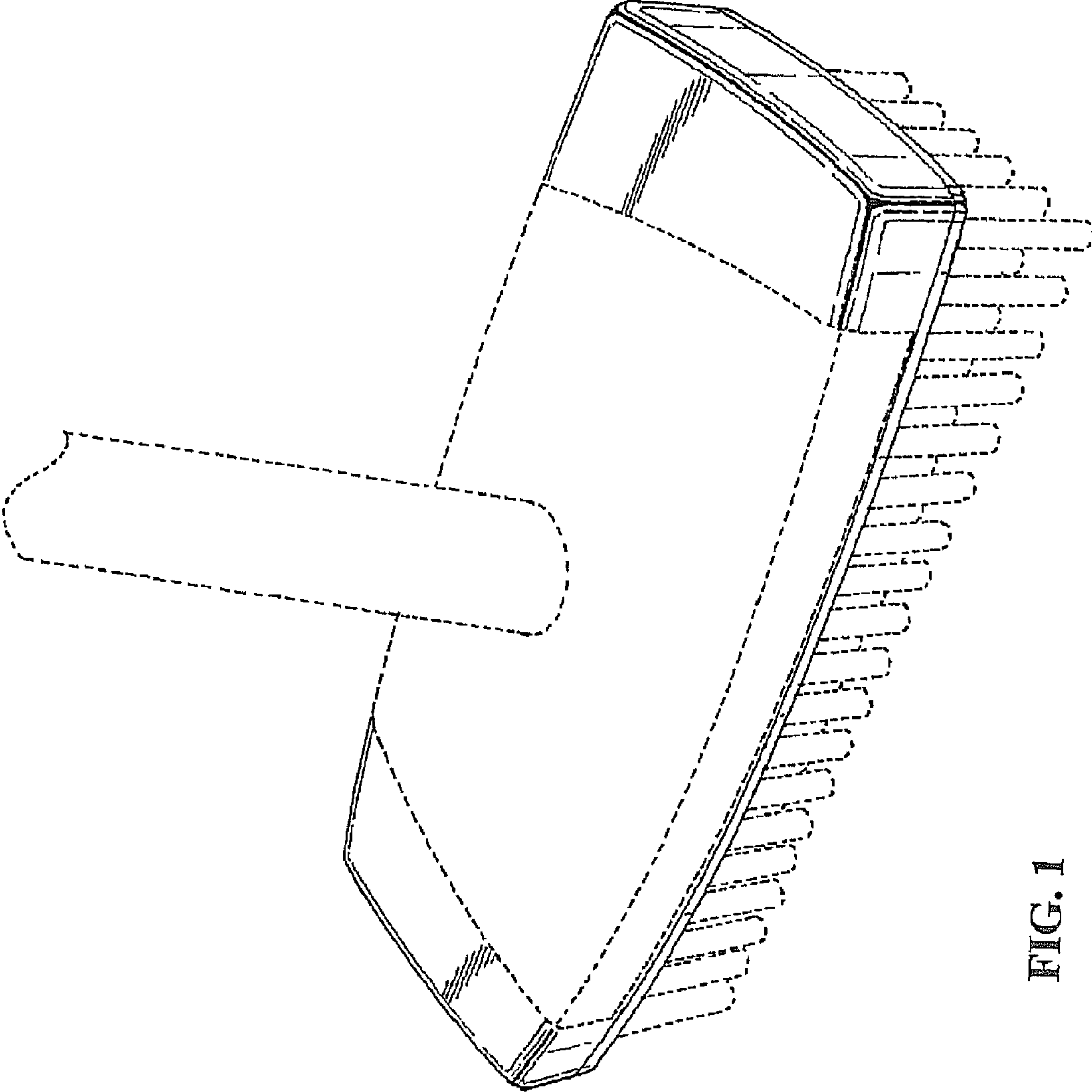


FIG. 1

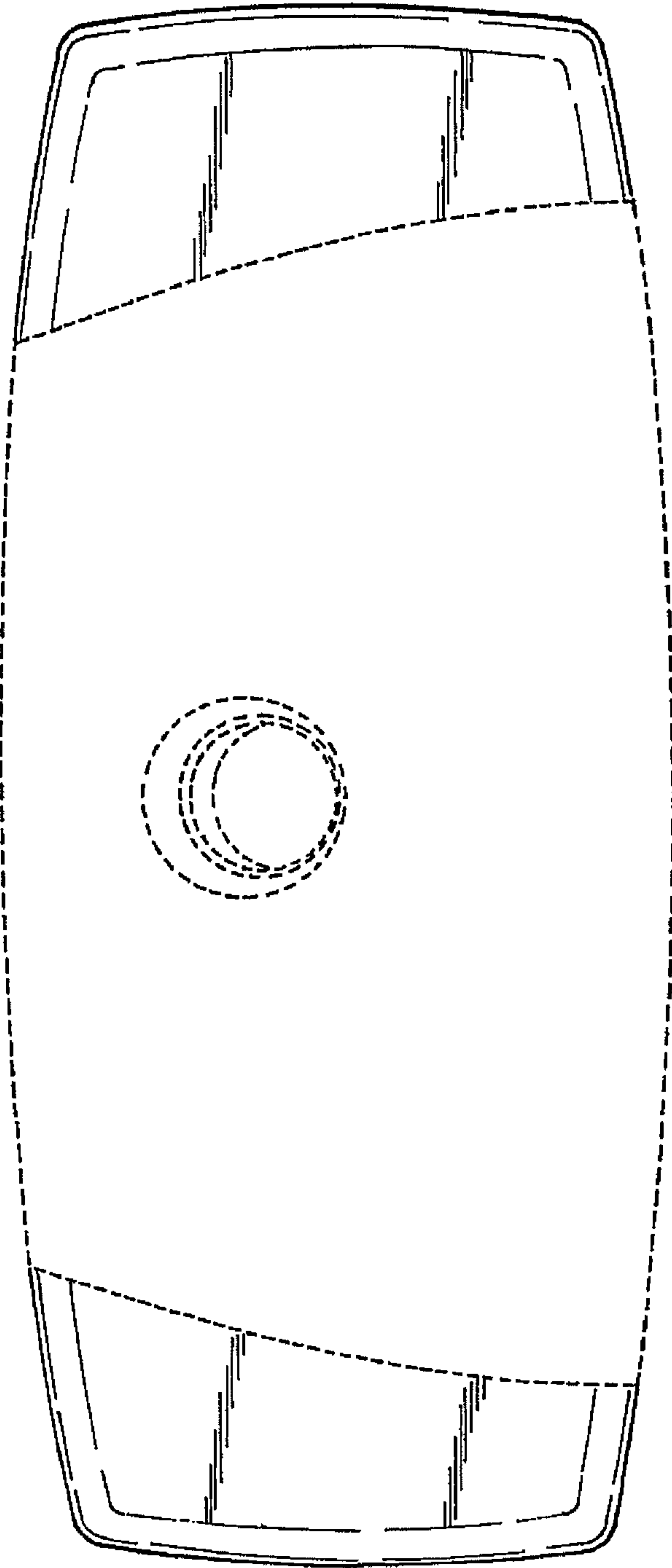


FIG. 2

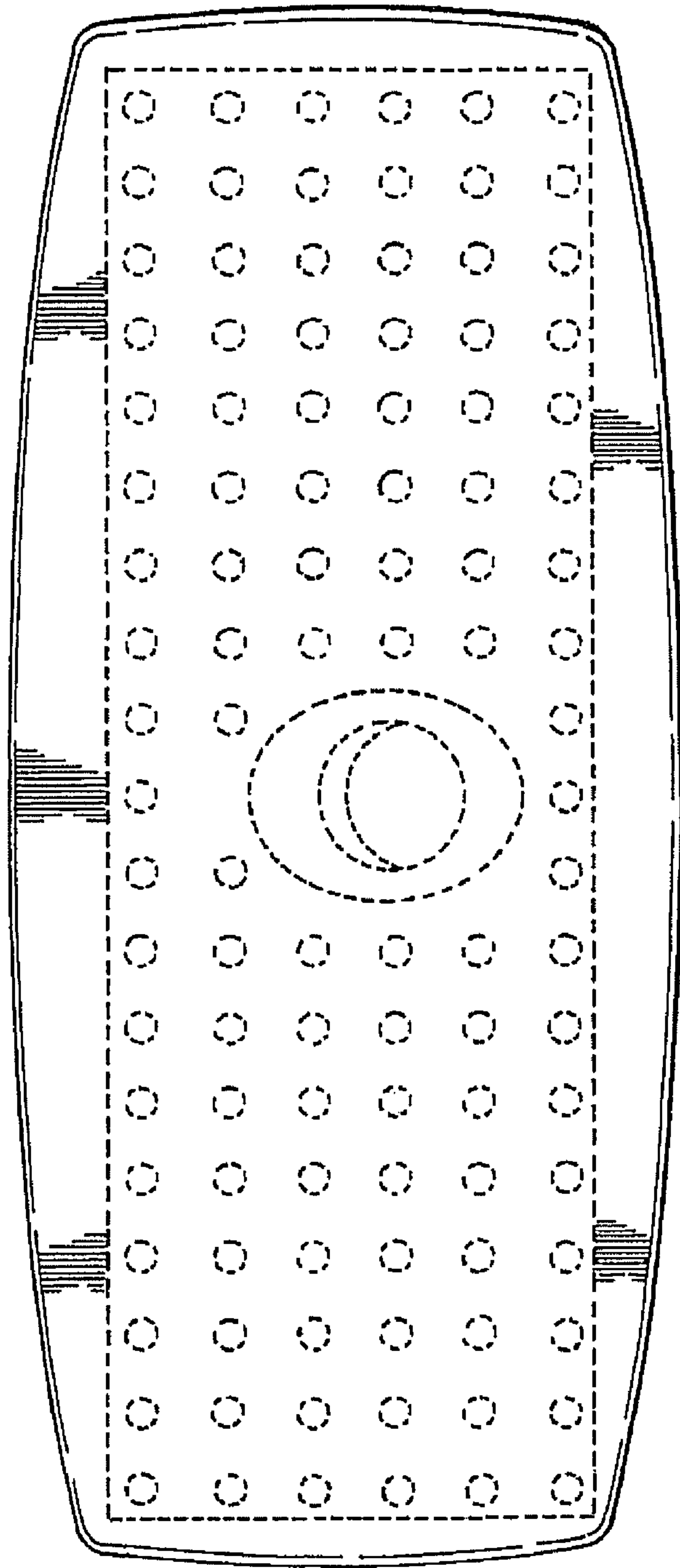


FIG. 3

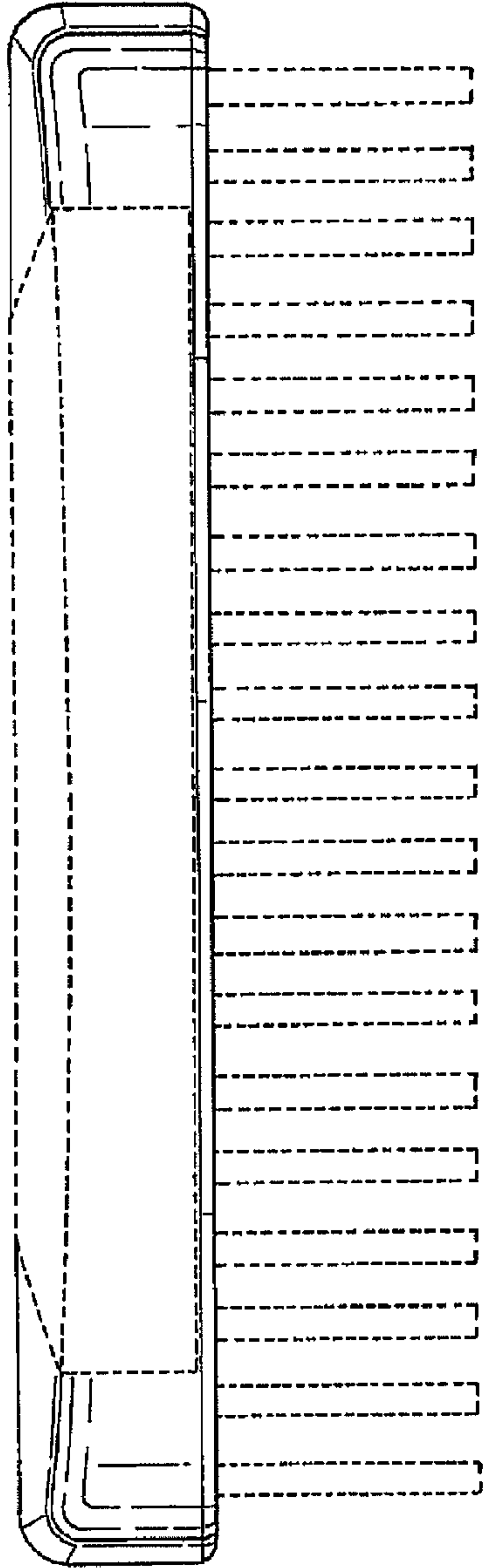


FIG. 4

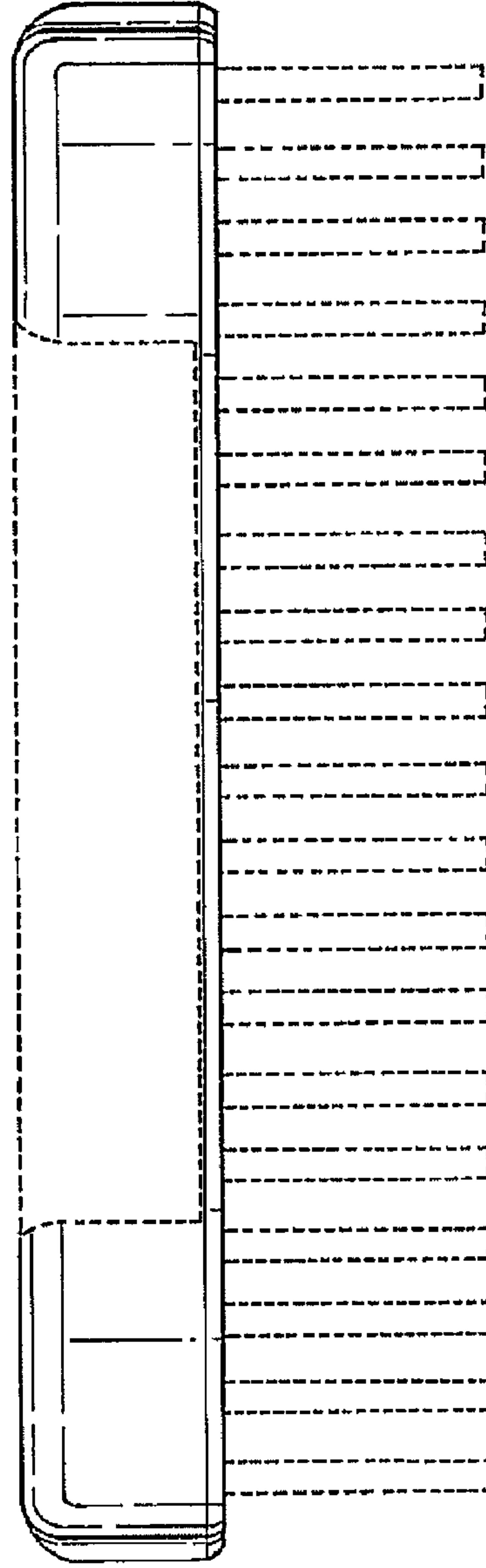


FIG. 5

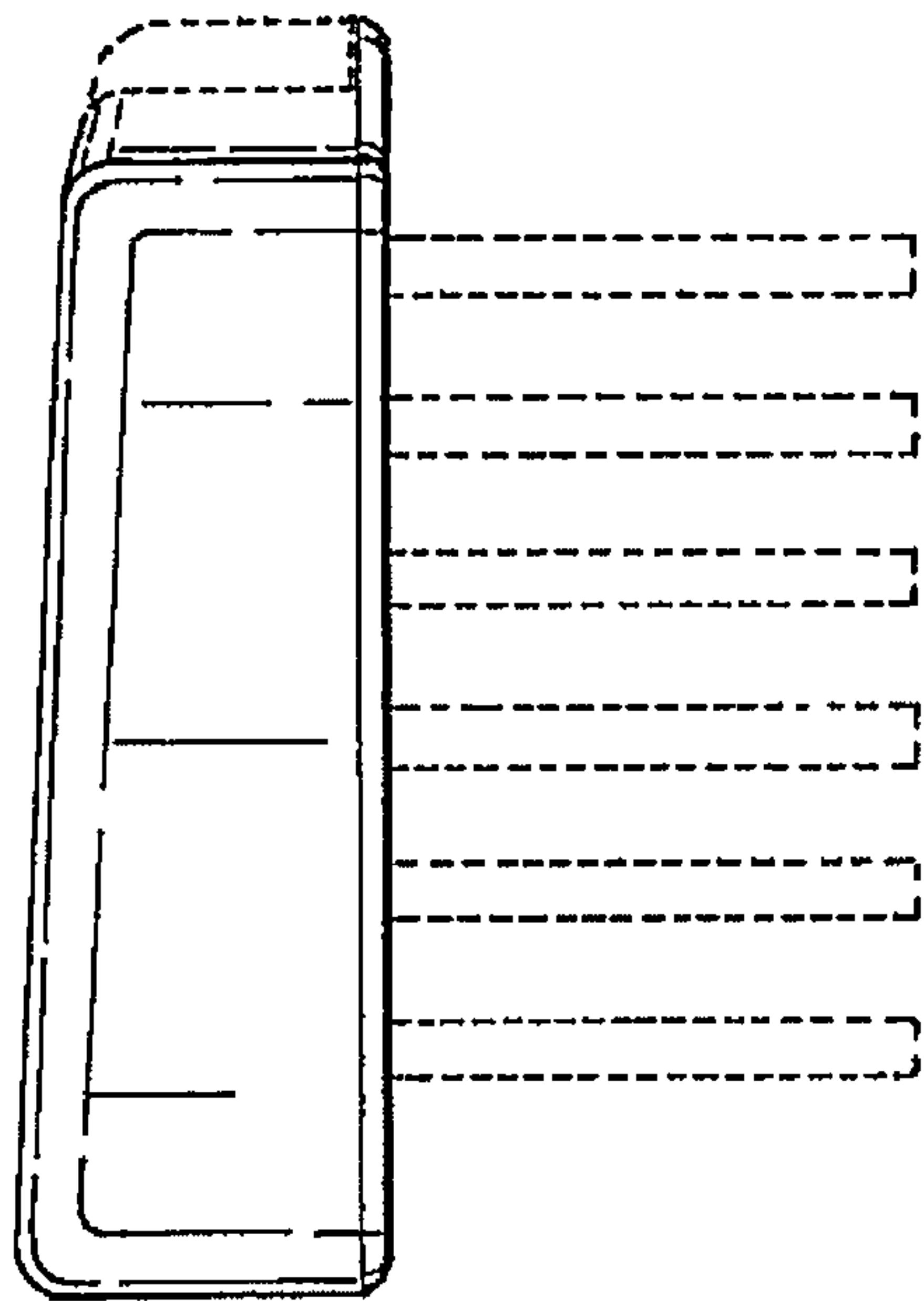


FIG. 6

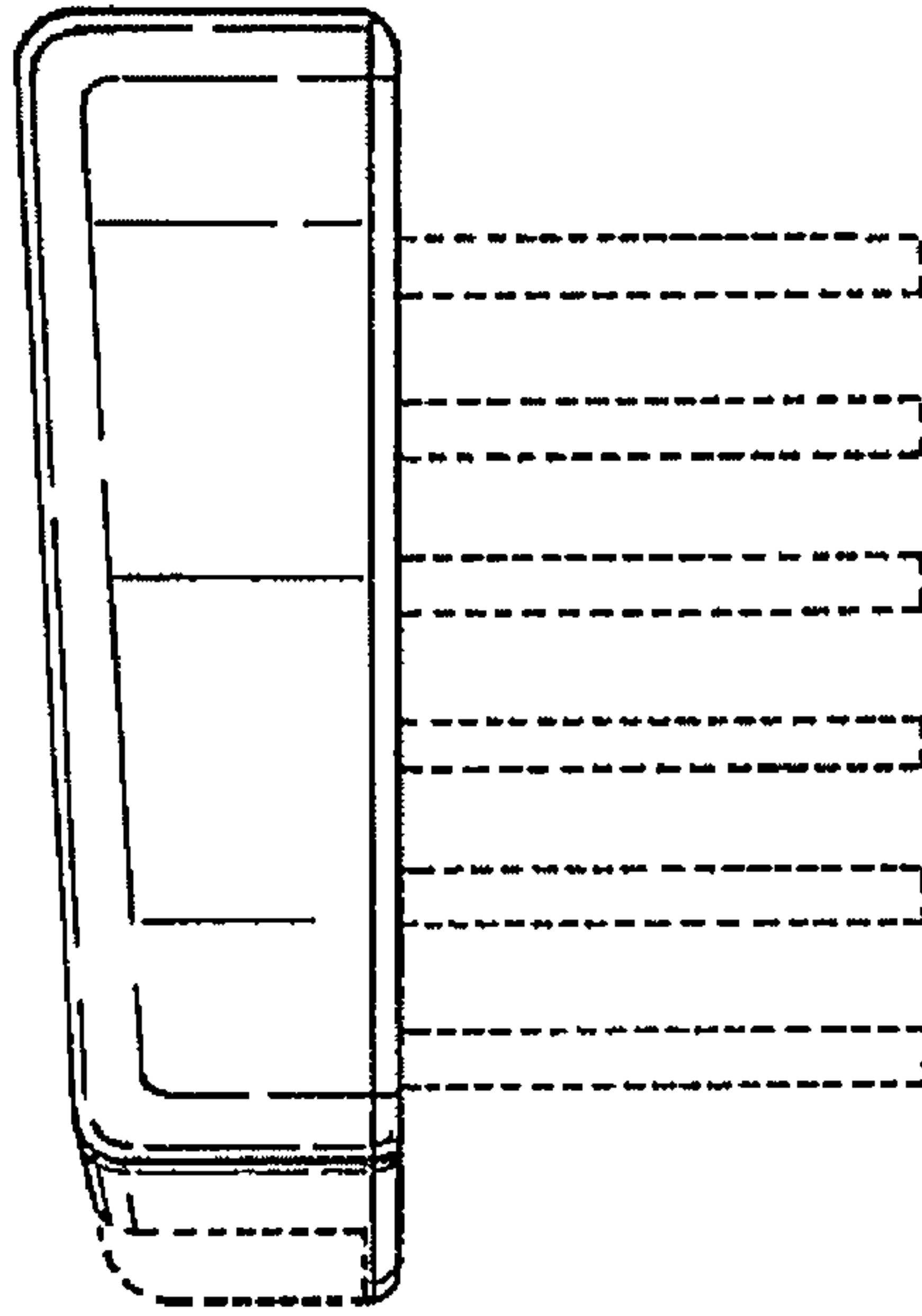


FIG. 7



UNITED STATES PATENT AND TRADEMARK OFFICE  
**CERTIFICATE OF CORRECTION**

PATENT NO. : D707,044 S  
APPLICATION NO. : 29/453093  
DATED : June 17, 2014  
INVENTOR(S) : Kaijun

Page 1 of 1

It is certified that error appears in the above-identified patent and that said Letters Patent is hereby corrected as shown below:

Title Page, Related U.S. Application Data - insert

item --(63) Divisional of application No. 29/391,330, filed on May 6, 2011, now Pat. No. D685,193.--

Signed and Sealed this  
Thirteenth Day of January, 2015



Michelle K. Lee  
*Deputy Director of the United States Patent and Trademark Office*