



US00D707043S

(12) **United States Design Patent**
Ash

(10) **Patent No.:** **US D707,043 S**
(45) **Date of Patent:** **** Jun. 17, 2014**

(54) **BRUSH**

FOREIGN PATENT DOCUMENTS

(71) Applicant: **Lawrence Ash**, Cohasset, MA (US)

KR 157816 S * 12/1994

(72) Inventor: **Lawrence Ash**, Cohasset, MA (US)

OTHER PUBLICATIONS

(**) Term: **14 Years**

CN 301533512 Registered Design, (Lu, Xueliang) May 4, 2011, [online], [retrieved on Sep. 22, 2013] Retrieved from the Questel Intellectual Property Portal Design Database using the Internet: <URL: http://www.orbit.com>.*

(21) Appl. No.: **29/434,174**

CN 301533524 Registered Design, (Lu, Xueliang) May 4, 2011, [online], [retrieved on Sep. 22, 2013] Retrieved from the Questel Intellectual Property Portal Design Database using the Internet: <URL: http://www.orbit.com>.*

(22) Filed: **Oct. 10, 2012**

(51) **LOC (10) Cl.** **04-01**

(52) **U.S. Cl.**

USPC **D4/114; D4/135**

(58) **Field of Classification Search**

USPC D4/115, 132, 135, 199; 15/171, 159.1, 15/160, 191.1-193; 401/268, 270, 271, 401/282, 286, 289, 291

See application file for complete search history.

* cited by examiner

Primary Examiner — Melanie H Tung

Assistant Examiner — Lavone D Tabor

(74) *Attorney, Agent, or Firm* — Lambert & Associates; Gary E. Lambert; David J. Connaughton, Jr.

(56) **References Cited**

U.S. PATENT DOCUMENTS

66,822	A *	7/1867	Foss	15/191.1
232,600	A *	9/1880	Davis	15/197
1,085,234	A	1/1914	Allan	
2,041,173	A	5/1936	Fairchild	
2,127,000	A	8/1938	Mitchell	
2,504,487	A	4/1950	Anson	
2,511,684	A	6/1950	Amore	
3,225,372	A	12/1965	Carpenter	
3,936,002	A	2/1976	Geberth, Jr.	
4,516,724	A	5/1985	Hellman	
4,552,477	A	11/1985	Braithwaite et al.	
4,676,685	A	6/1987	Murphy	
4,790,679	A	12/1988	Murphy	
5,071,278	A	12/1991	Chen	
5,295,626	A	3/1994	Mirabito	
5,685,658	A	11/1997	Woodruff	
7,017,834	B2	3/2006	Santa Cruz et al.	
7,464,431	B2	12/2008	Stevens	
2006/0120794	A1	6/2006	Scott et al.	
2007/0280776	A1	12/2007	Castellana	
2009/0080964	A1	3/2009	Castellana	
2010/0086344	A1	4/2010	Castillon	

(57) **CLAIM**

The ornamental design for a brush, as shown and described.

DESCRIPTION

FIG. 1 is a front perspective view of the brush, which embodies my design;

FIG. 2 is a front side view of the brush;

FIG. 3 is a rear view of the brush;

FIG. 4 is a left side view of the brush;

FIG. 5 is a right side view of the brush;

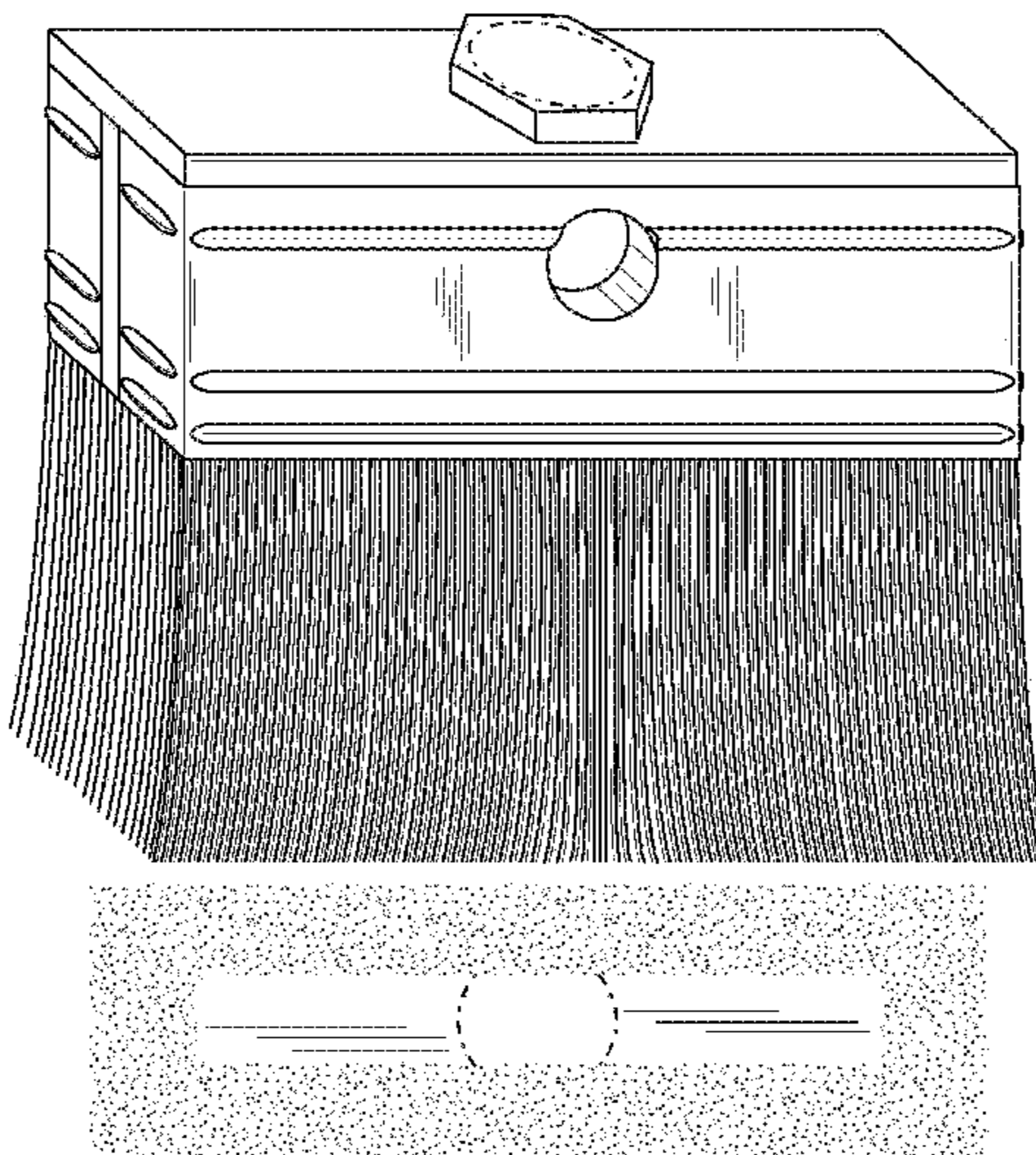
FIG. 6 is a top view of the brush; and,

FIG. 7 is a bottom view of the brush.

The dash-dot-dash broken lines shown in FIGS. 1, 6, and 7 represent the bounds of the claim and form no part thereof.

The dashed broken lines along with the dash-dot-dash broken lines illustrate portions of the brush that form no part of the claimed design.

1 Claim, 4 Drawing Sheets



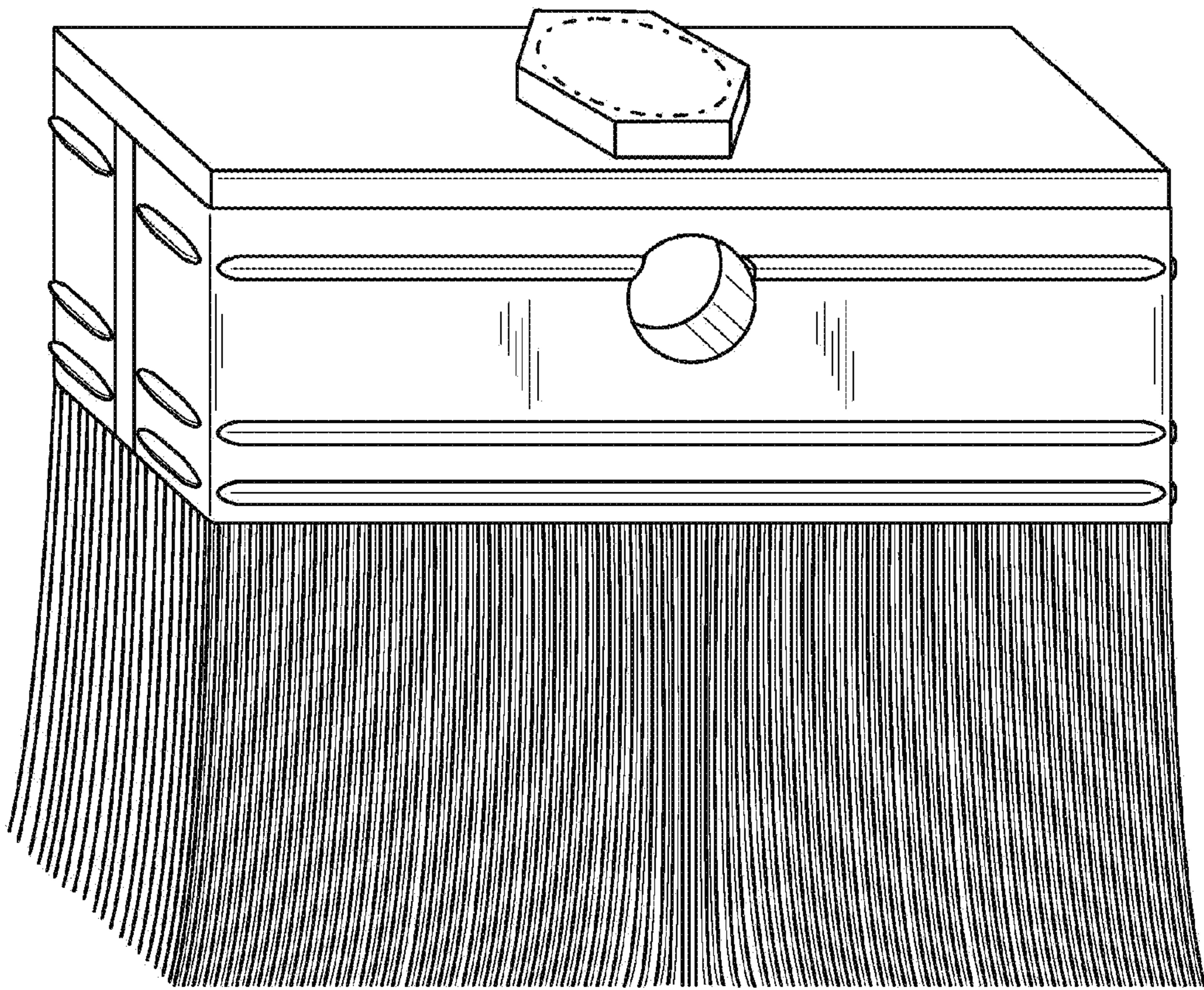


Fig. 1

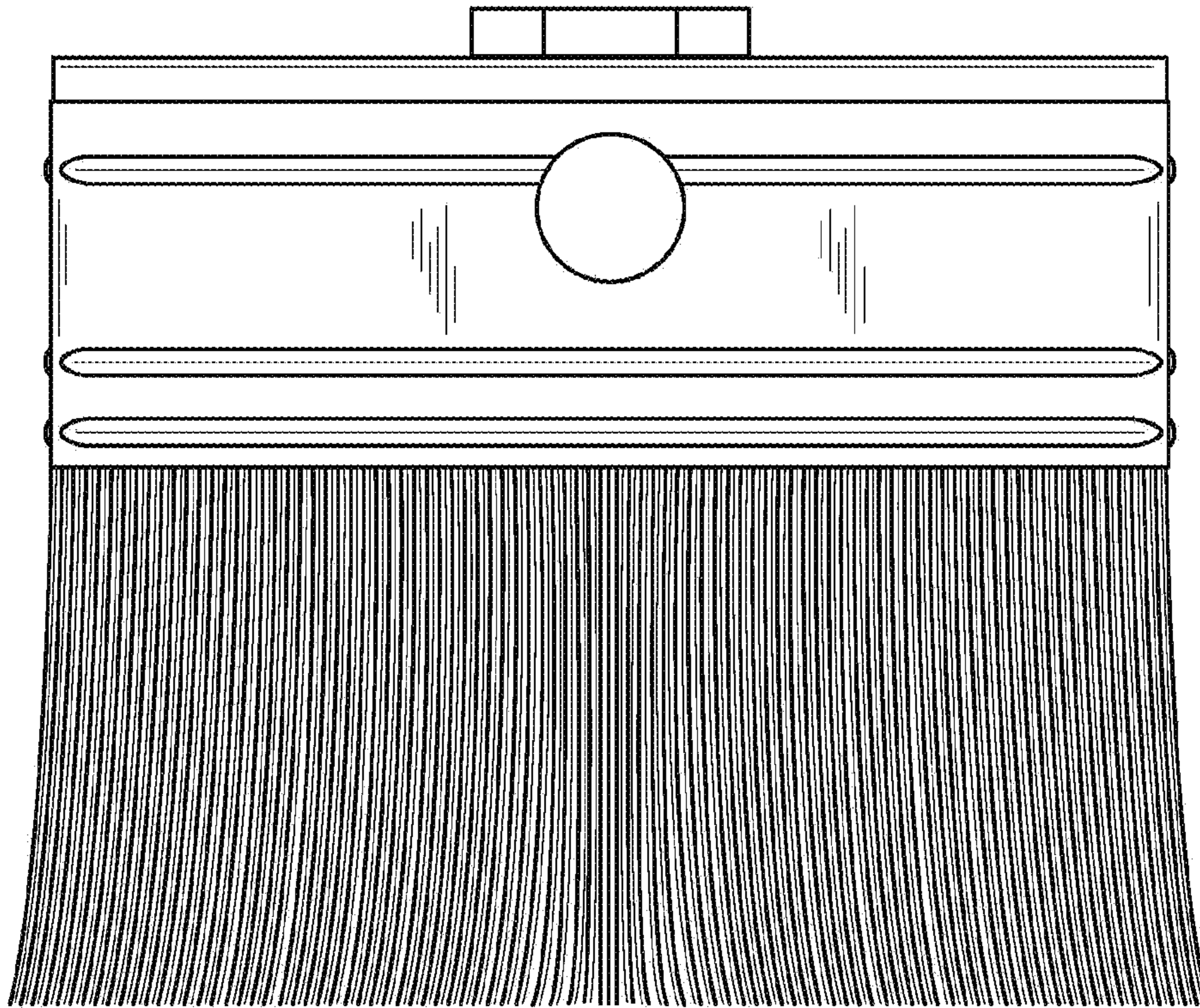


Fig. 2

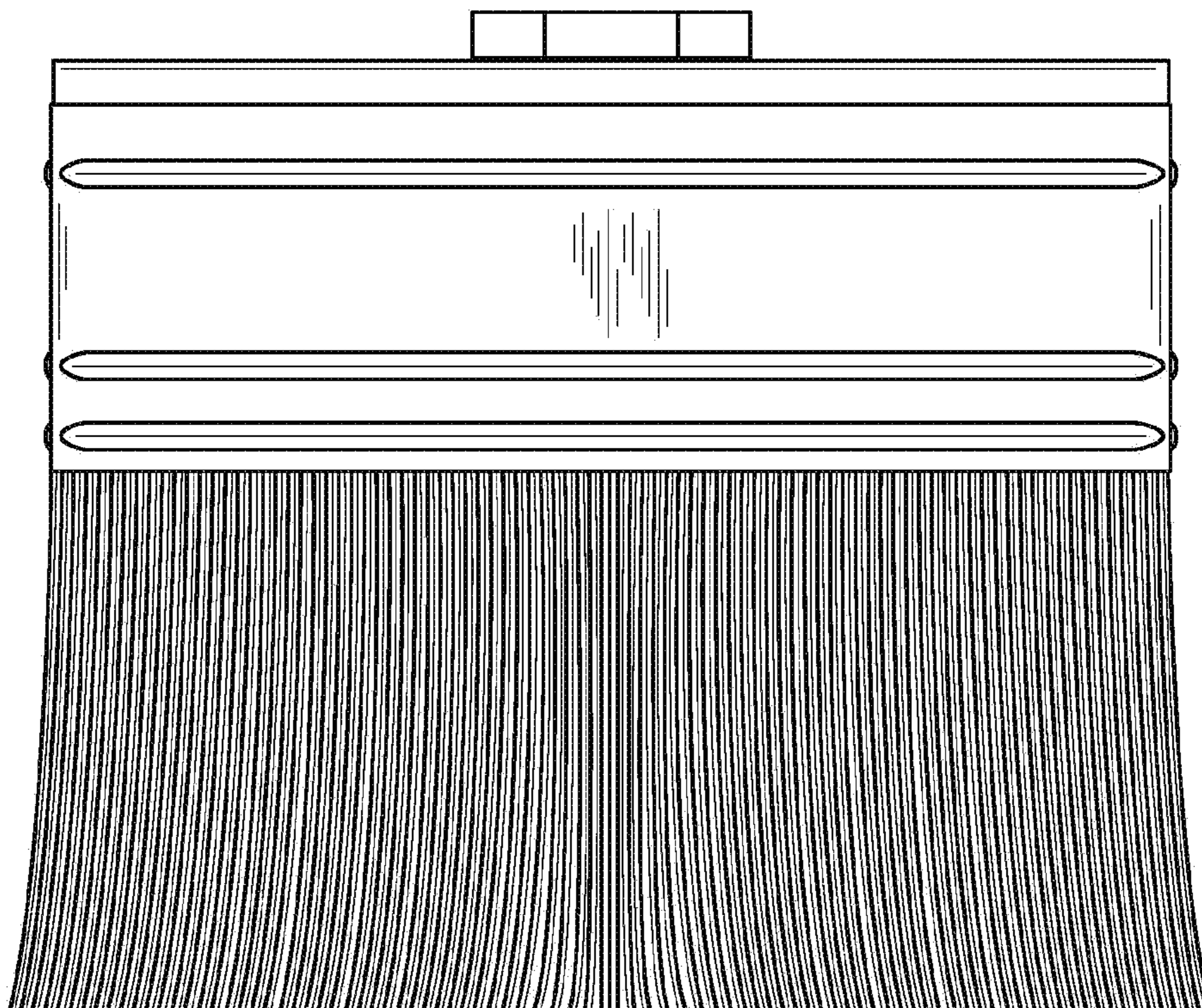


Fig. 3

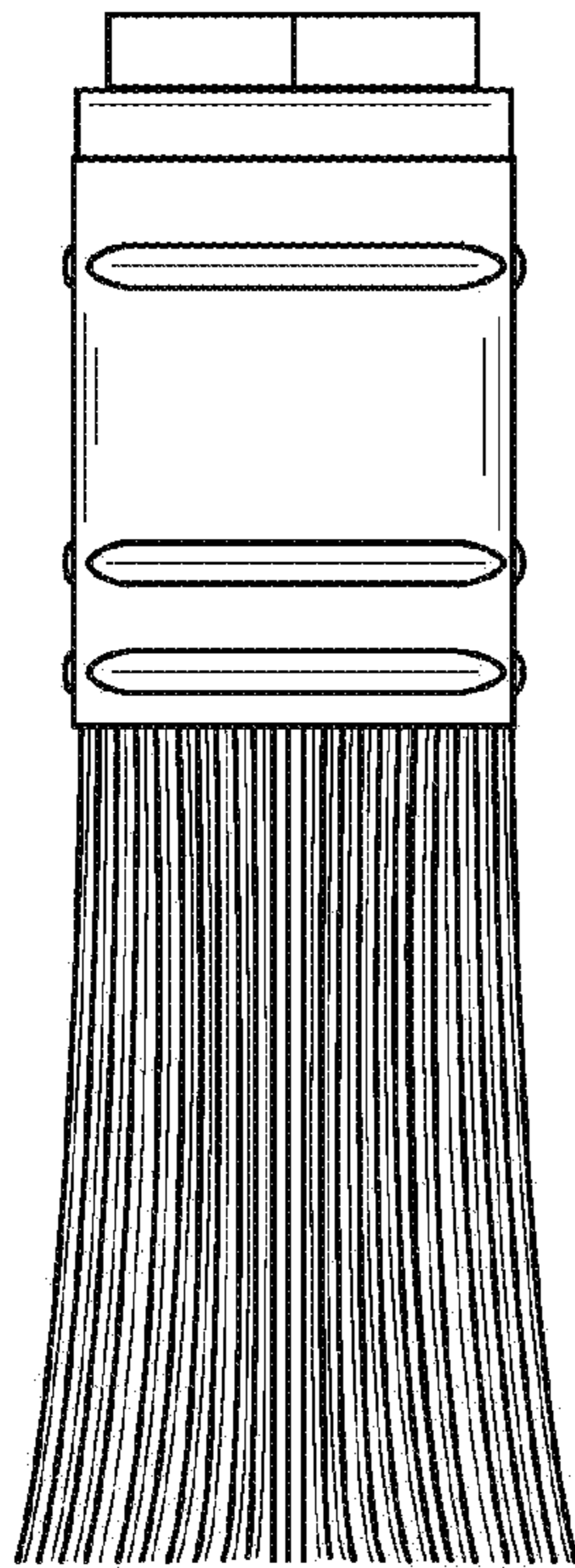


Fig. 4

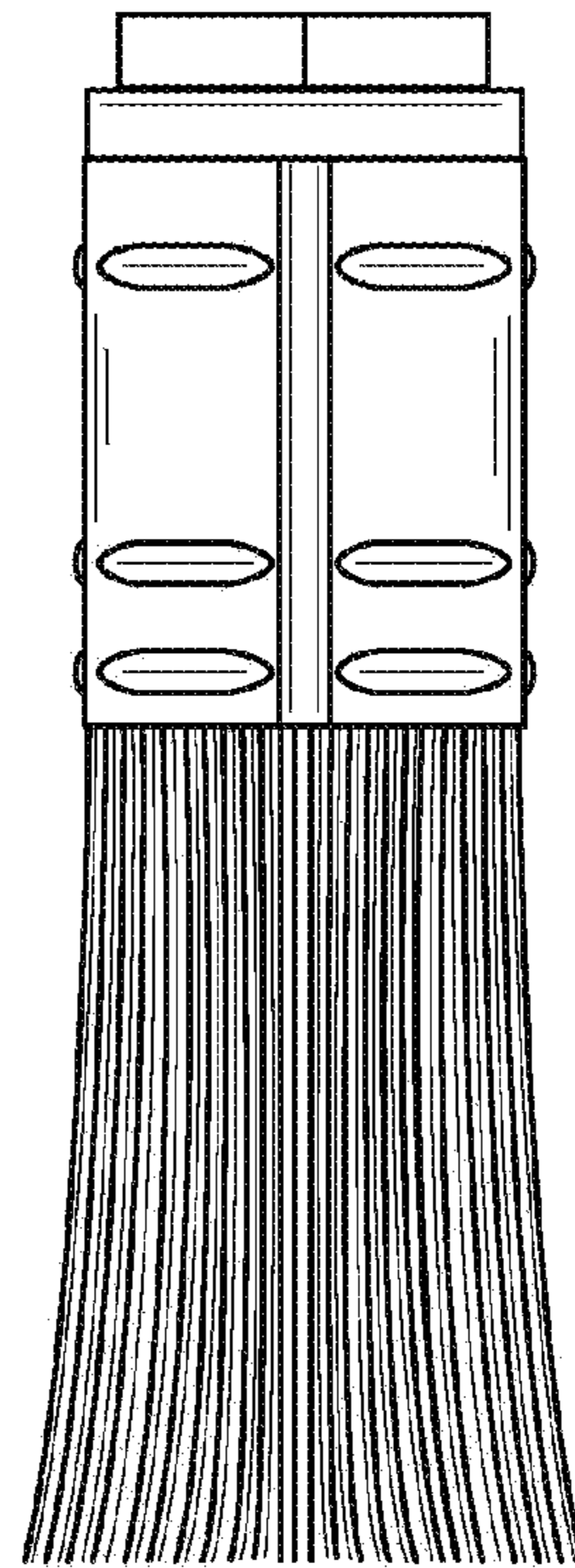


Fig. 5

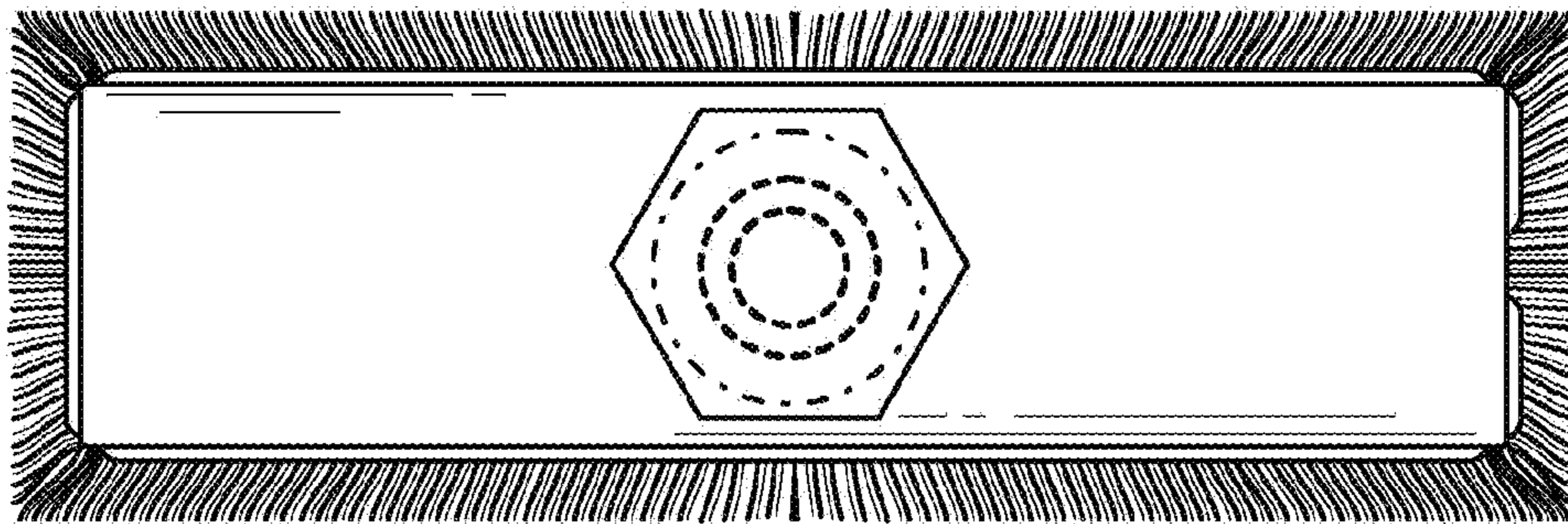


Fig. 6

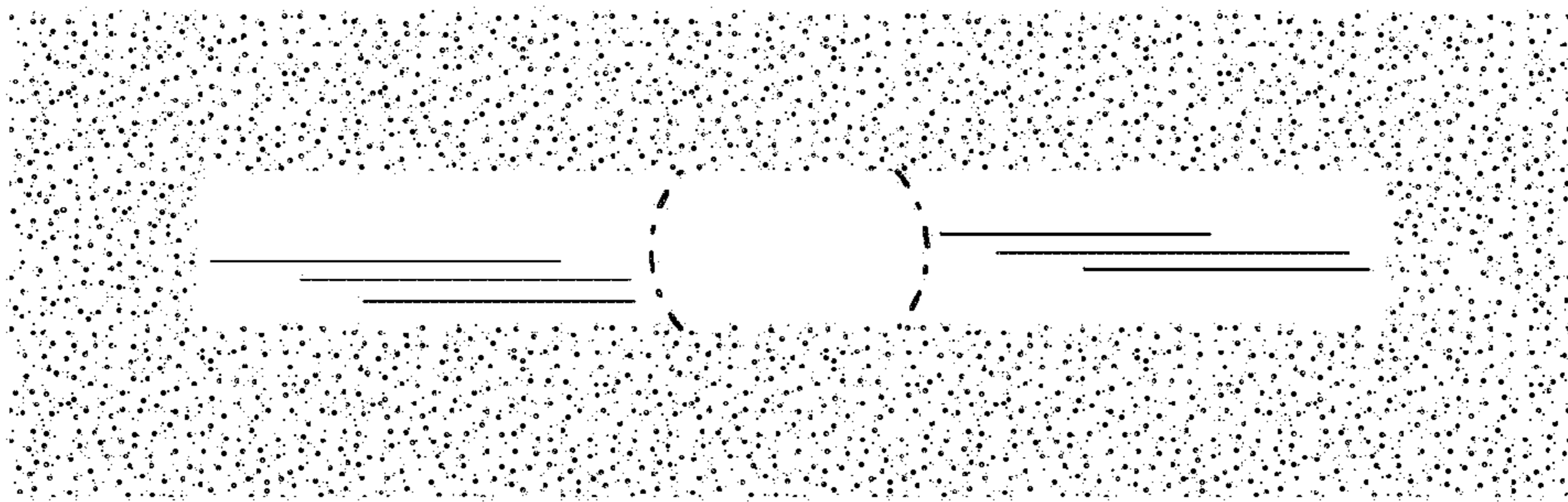


Fig. 7