



US00D707041S

(12) **United States Design Patent**  
**Park et al.**

(10) **Patent No.:** **US D707,041 S**  
(45) **Date of Patent:** **\*\* Jun. 17, 2014**

(54) **BELT-CLIP CASE**

(71) Applicant: **Fitbit, Inc.**, San Francisco, CA (US)

(72) Inventors: **James Park**, Berkeley, CA (US); **Mark Manuel Martinez**, San Francisco, CA (US); **Gadi Amit**, San Mateo, CA (US); **Yoshikazu Hoshino**, San Francisco, CA (US); **Jacqueline Lee Belleau**, Alameda, CA (US); **Daniel J. Clifton**, San Francisco, CA (US); **Susan Elizabeth McKinney**, San Francisco, CA (US)

(73) Assignee: **Fitbit, Inc.**, San Francisco, CA (US)

(\*\*) Term: **14 Years**

(21) Appl. No.: **29/467,282**

(22) Filed: **Sep. 17, 2013**

(51) **LOC (10) Cl.** ..... **03-01**

(52) **U.S. Cl.**  
USPC ..... **D3/215; D3/218**

(58) **Field of Classification Search**  
USPC ..... **D3/215, 218-219; 206/305, 320; 224/240-241, 247, 250, 252, 576-577, 224/667, 678; 379/446, 449, 454-455; 455/575.1-575.8**

See application file for complete search history.

(56) **References Cited**

**U.S. PATENT DOCUMENTS**

5,511,702	A *	4/1996	Yang	.....	224/219
D548,457	S *	8/2007	Reinerio	.....	D3/218
D555,896	S *	11/2007	Ward-Llewellyn	.....	D3/215
D685,570	S *	7/2013	Ito et al.	.....	D3/218

\* cited by examiner

*Primary Examiner* — Catheri Oliver-Garcia

(74) *Attorney, Agent, or Firm* — Weaver Austin Villeneuve & Sampson LLP

(57) **CLAIM**

We claim the ornamental design for a belt-clip case, as shown and described.

**DESCRIPTION**

FIG. 1 is an isometric view of a belt-clip case for a health tracker module.

FIG. 2 is a bottom isometric view of the belt-clip case.

FIG. 3 is a top side view of the belt-clip case.

FIG. 4 is a bottom view of the belt-clip case.

FIG. 5 is a side view of the belt-clip case.

FIG. 6 is an opposing side view of the belt-clip case.

FIG. 7 is a front view of the belt-clip case.

FIG. 8 is a back view of the belt-clip case.

FIG. 9 is an isometric view of the health tracker module inserted into the belt-clip case; and,

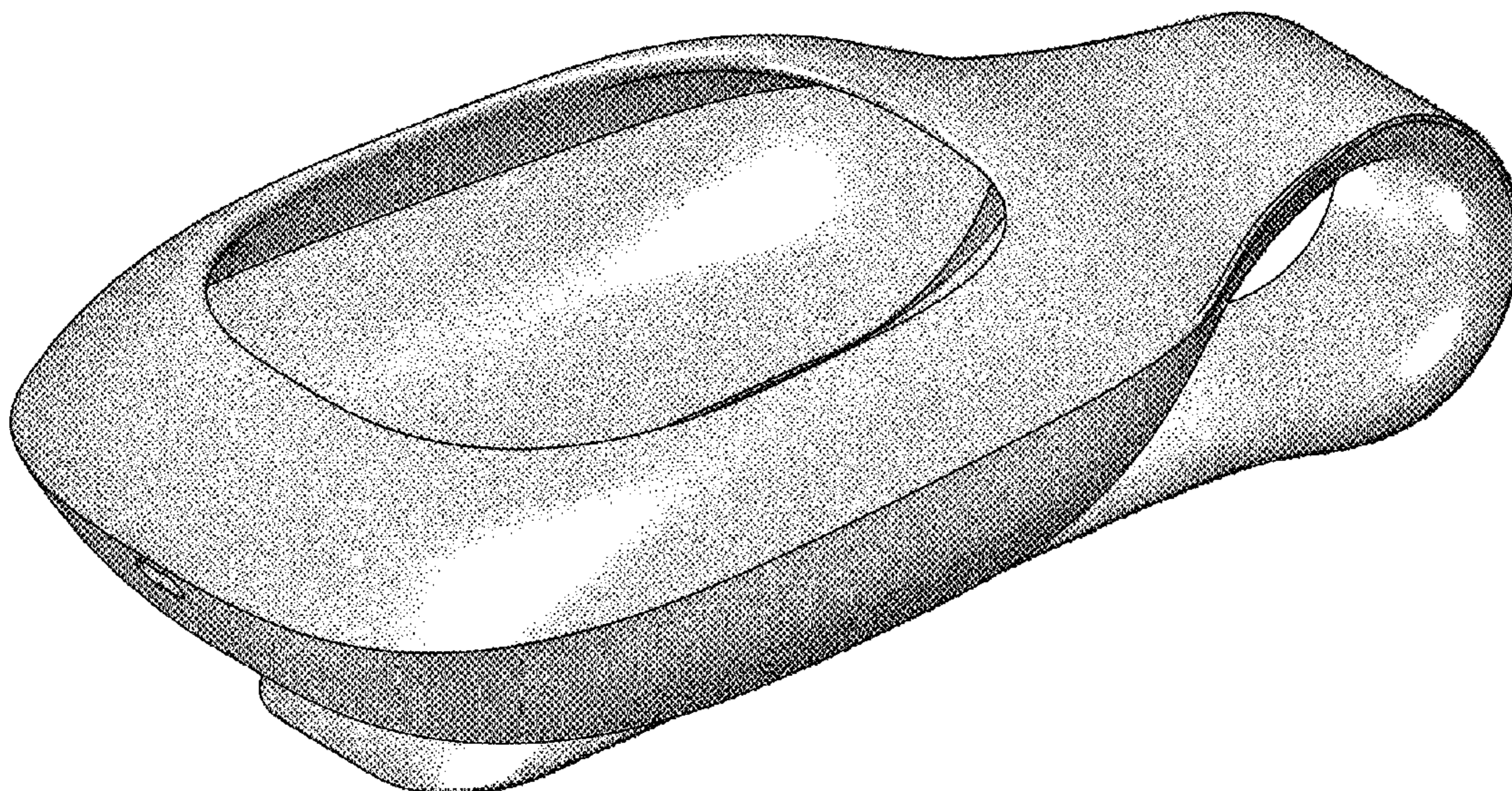
FIG. 10 is a bottom view of the health tracker module inserted into the belt-clip case.

Dashed and dotted lines are used for illustrative purposes only to give environmental context to the claimed design and do not form any part of the claimed design.

Stipple shading is used in the accompanying drawings; the stipple shading is not to be understood as conveying a particular surface finish. The surface finish may be smooth/gloss, satin, or textured. The depicted articles may be made using materials of various colors, including black, charcoal, white, dark blue, lime, magenta, and other colors.

The health tracker module may be inserted into the large cavity visible in the belt-clip case of FIGS. 1 through 8, as shown in FIGS. 9 and 10, and worn on a person's belt or clothing.

**1 Claim, 7 Drawing Sheets**



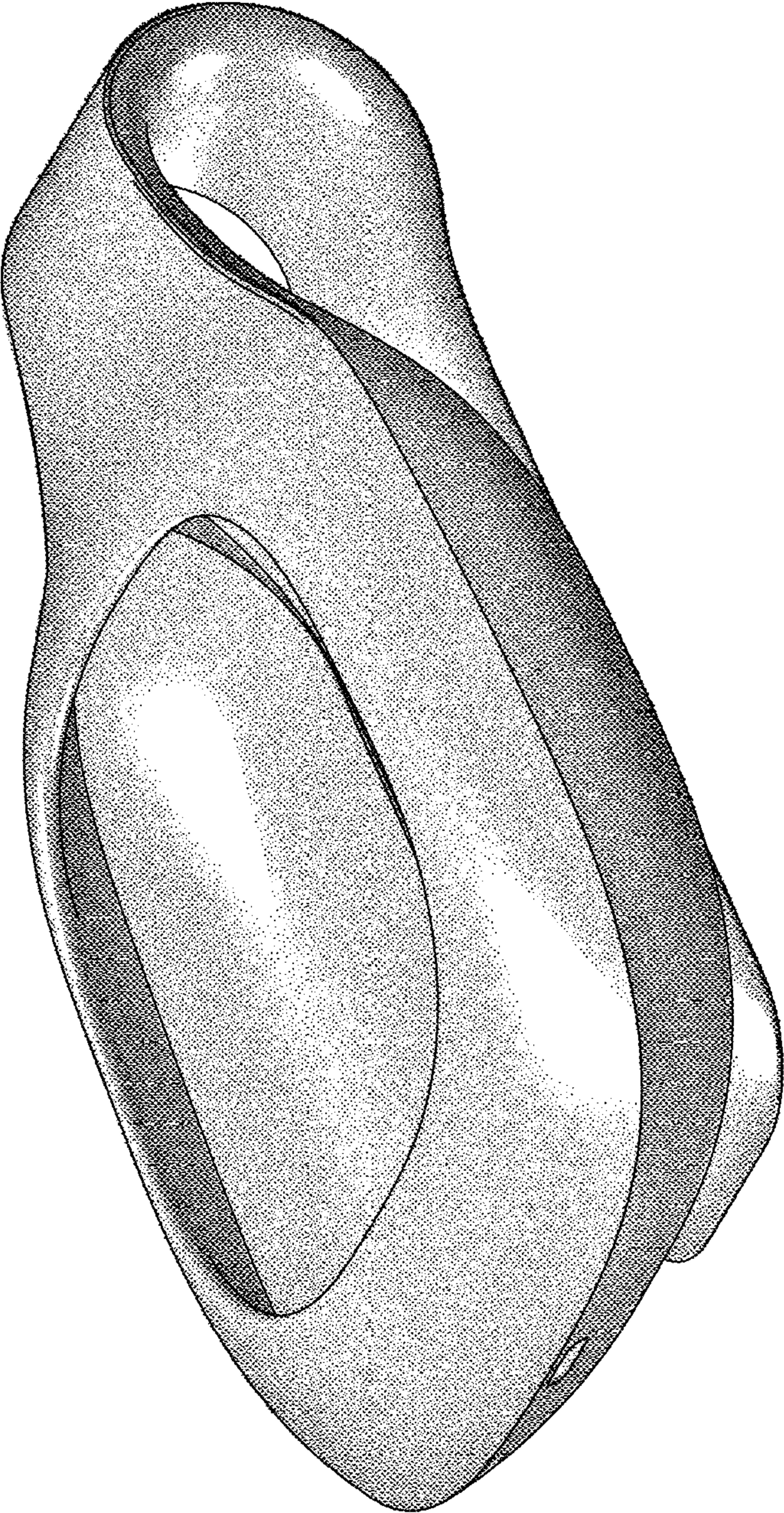


Figure 1

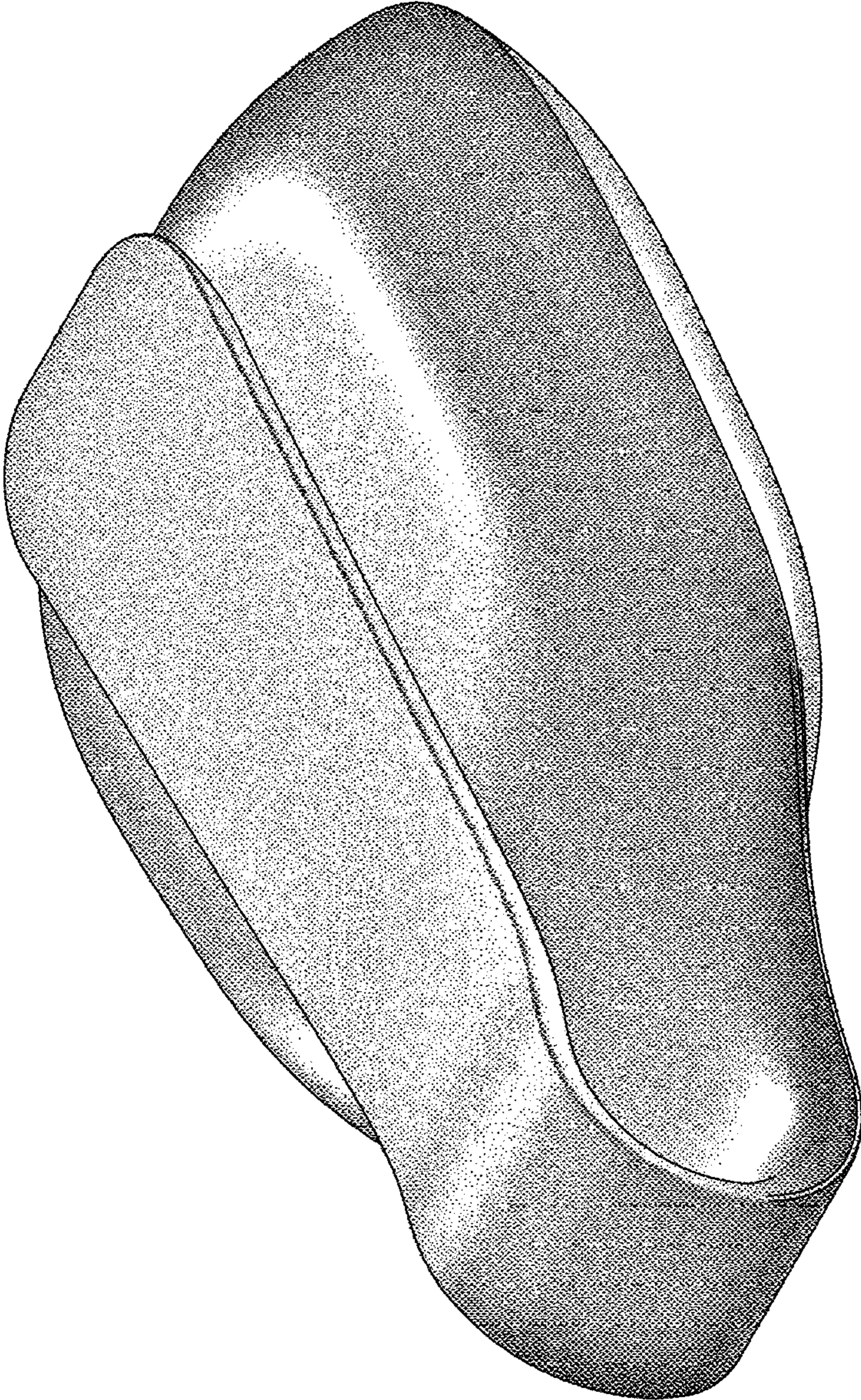


Figure 2

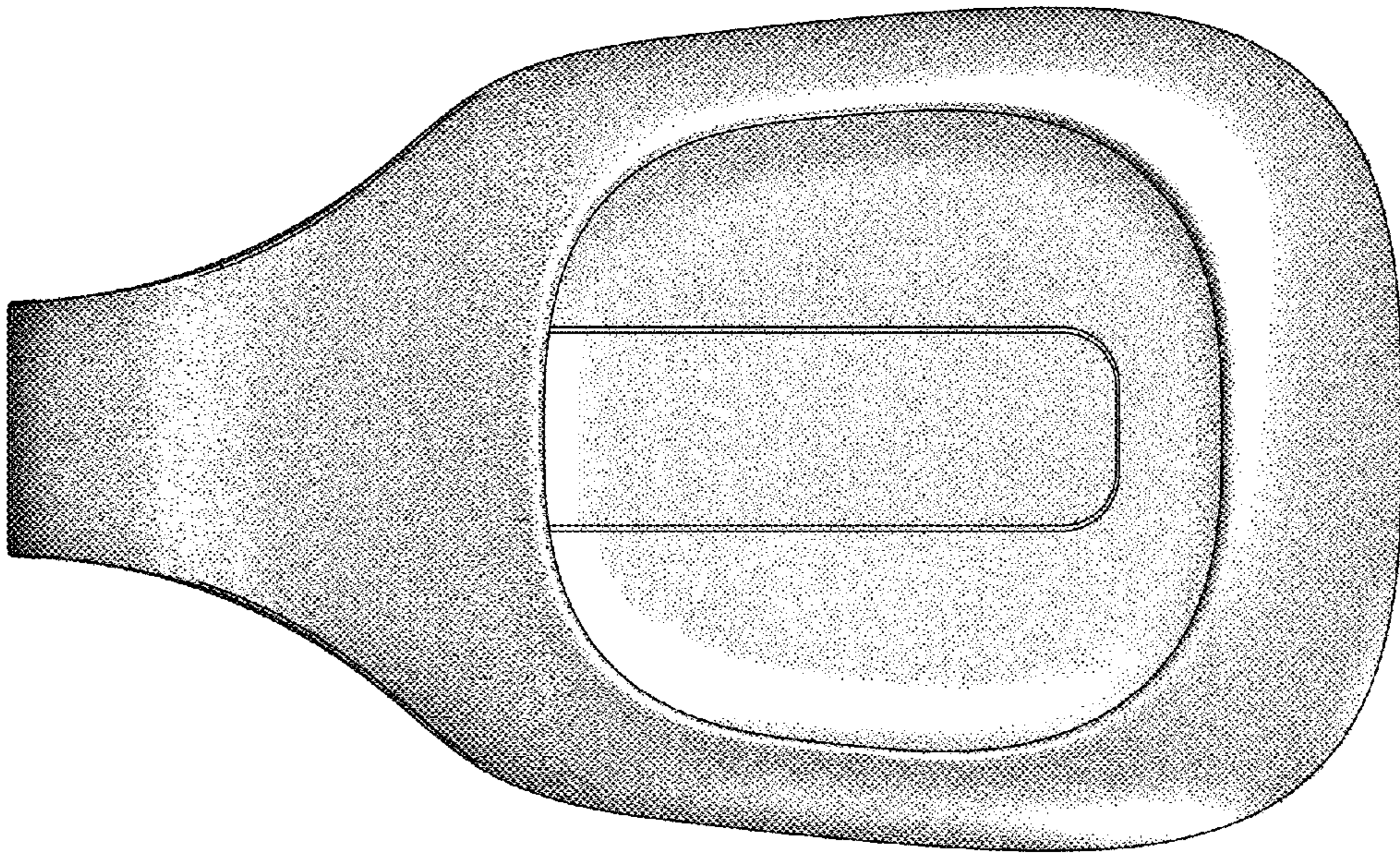


Figure 4

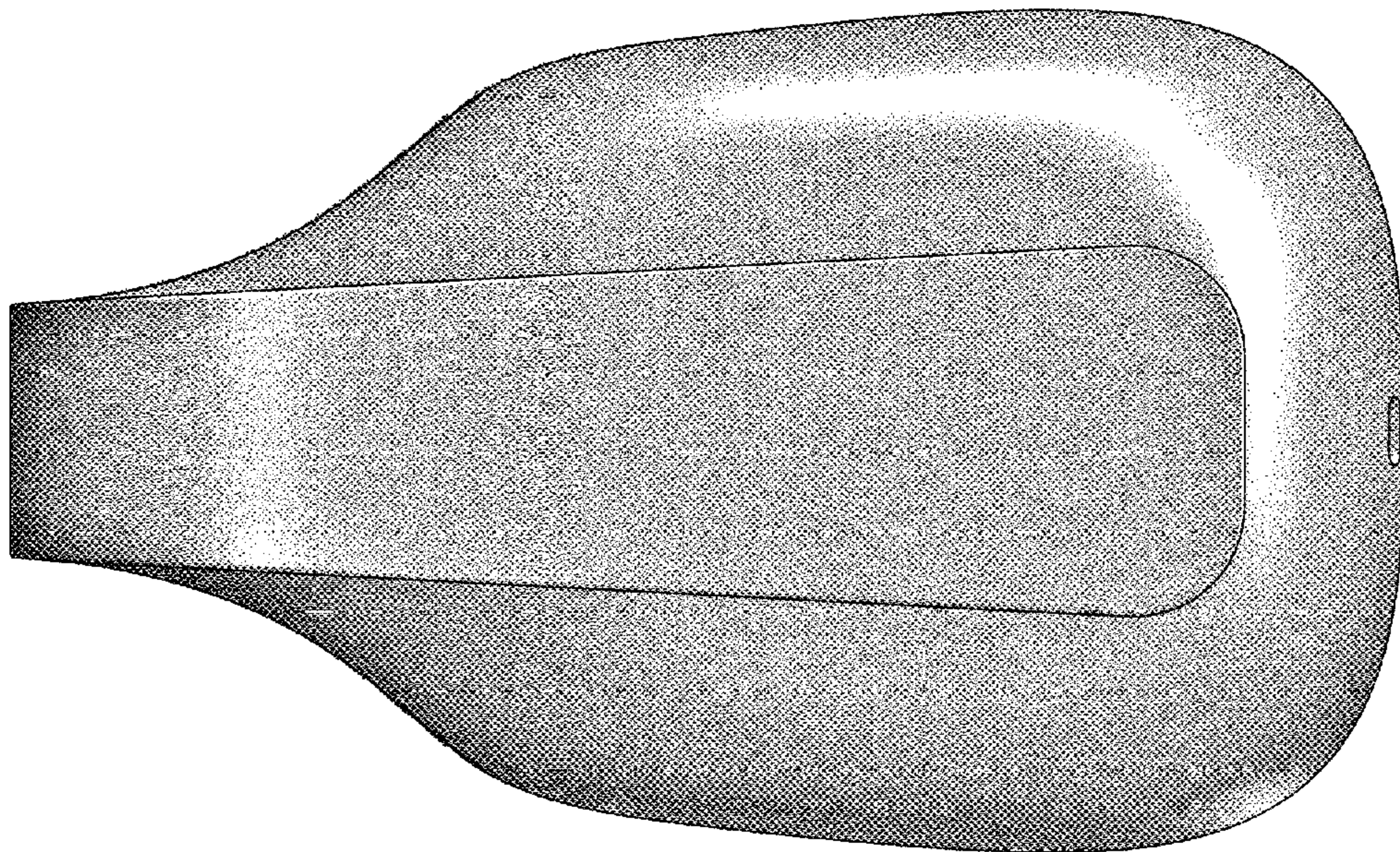


Figure 3

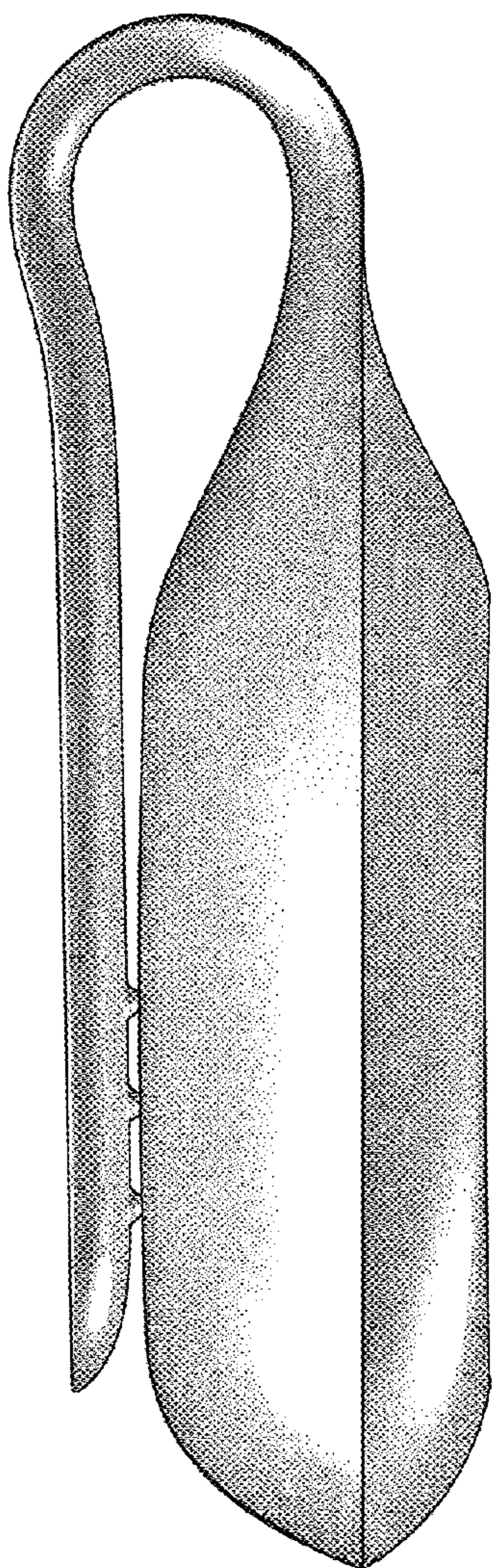


Figure 5

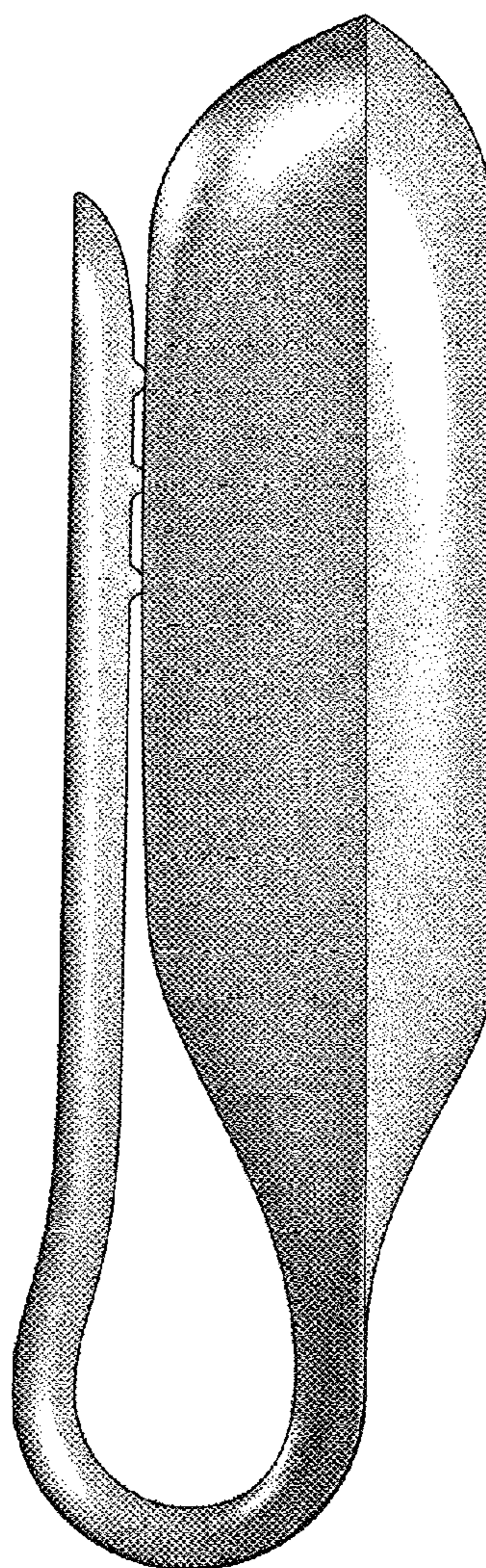


Figure 6

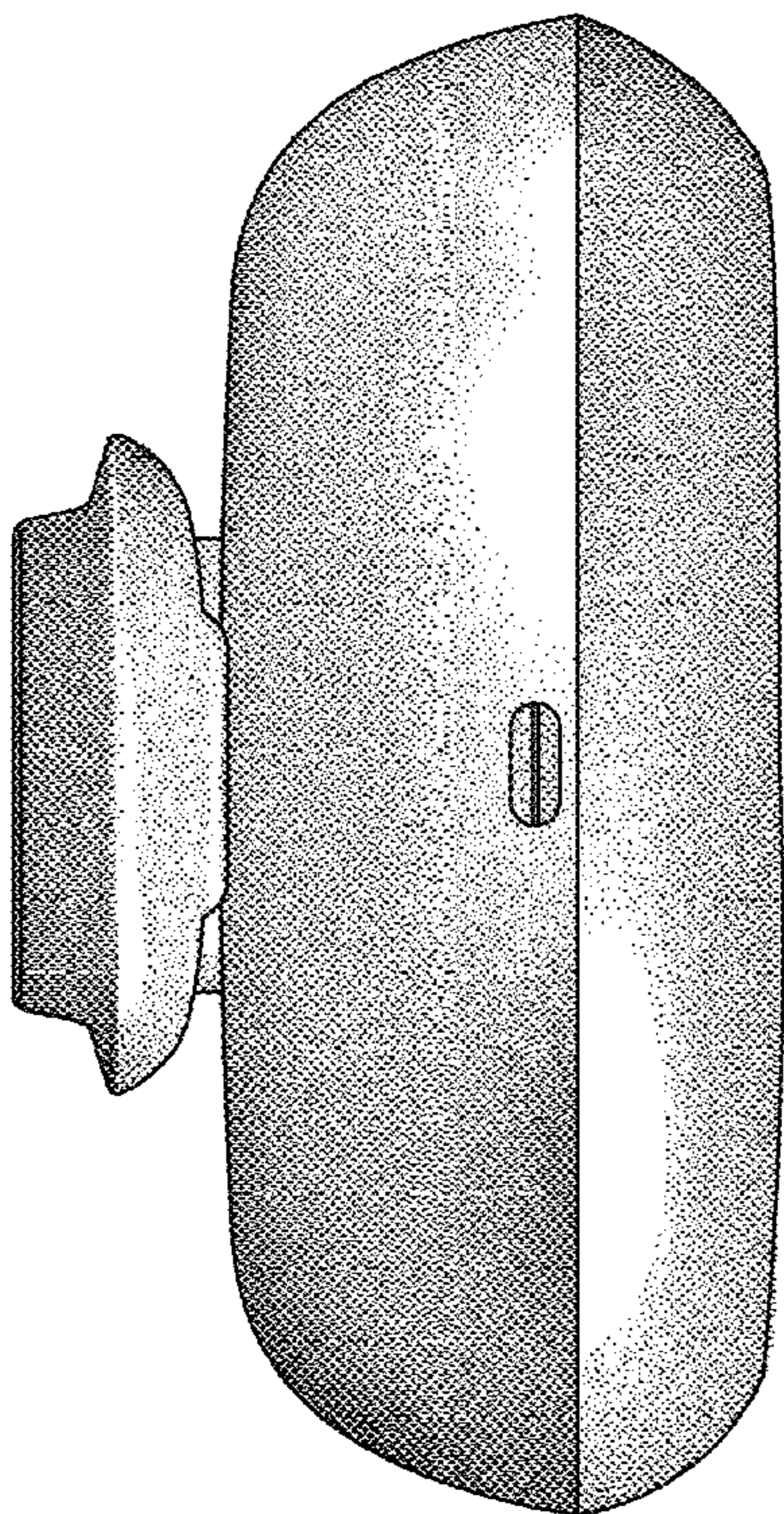


Figure 7

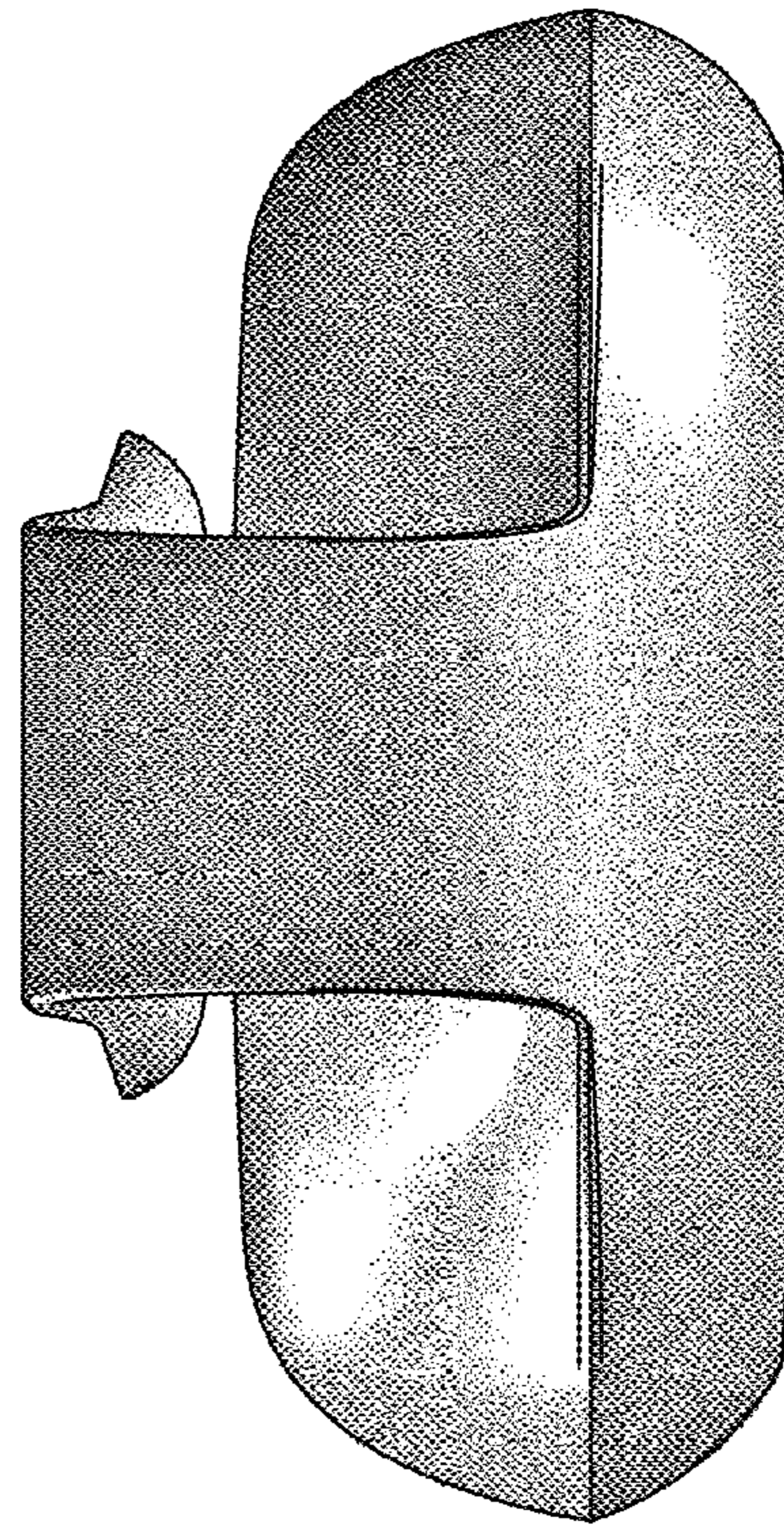


Figure 8

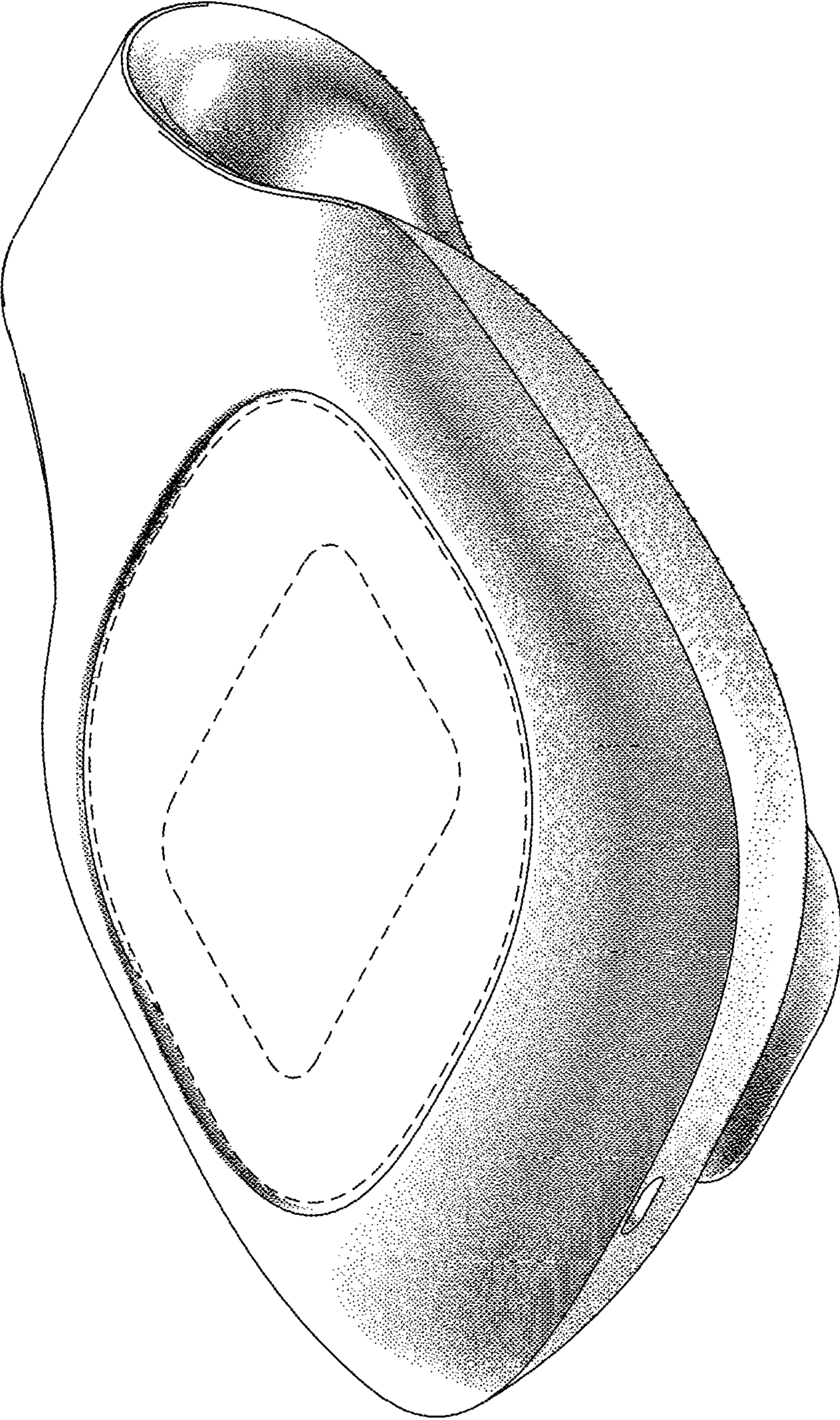


Figure 9

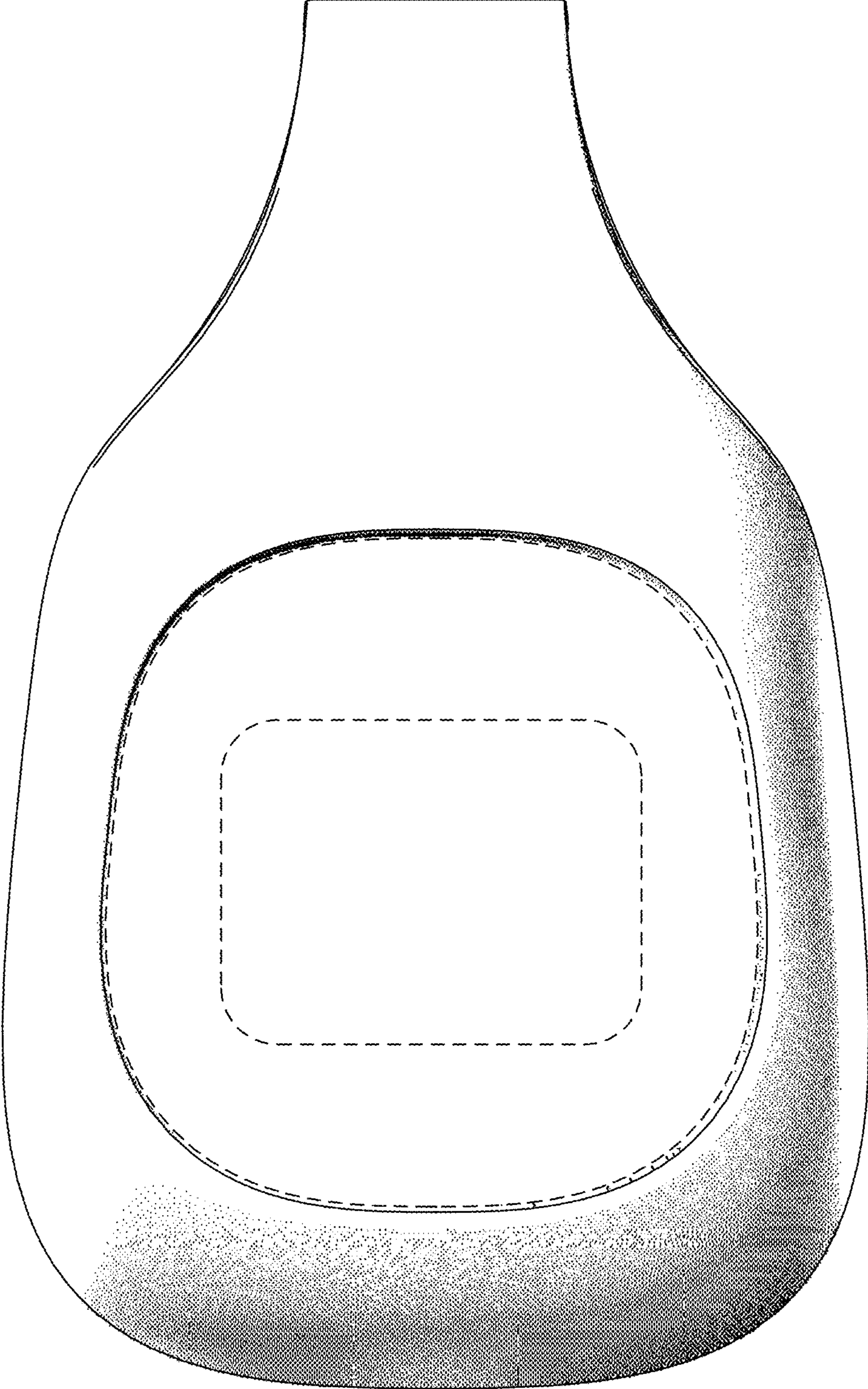


Figure 10



UNITED STATES PATENT AND TRADEMARK OFFICE  
**CERTIFICATE OF CORRECTION**

PATENT NO. : D707,041 S  
APPLICATION NO. : 29/467282  
DATED : June 17, 2014  
INVENTOR(S) : James Park et al.

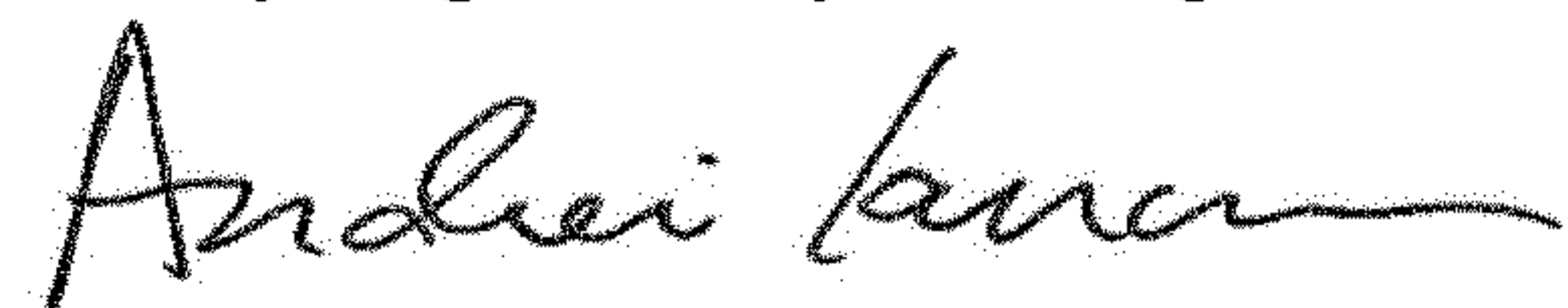
Page 1 of 1

It is certified that error appears in the above-identified patent and that said Letters Patent is hereby corrected as shown below:

On the Title Page

Item (72), Third inventor's Name: change Gadi Amit's name to "Gad Amit."

Signed and Sealed this  
Twenty-eighth Day of August, 2018



Andrei Iancu  
*Director of the United States Patent and Trademark Office*