



US00D707040S

(12) **United States Design Patent**
Pittman et al.

(10) **Patent No.:** **US D707,040 S**
(45) **Date of Patent:** **** Jun. 17, 2014**

(54) **CLIPPER CADDY**

(76) Inventors: **Christopher Pittman**, Fresno, TX (US);
Teresa Pittman, Fresno, TX (US)

(**) Term: **14 Years**

(21) Appl. No.: **29/402,142**

(22) Filed: **Sep. 21, 2011**

(51) **LOC (10) Cl.** **03-03**

(52) **U.S. Cl.**
USPC **D3/205**

(58) **Field of Classification Search**
USPC D3/205, 206, 214-217, 221, 224, 254,
D3/274, 284, 289; 206/569-572, 231, 232,
206/473, 14, 314; 224/153, 257, 259
See application file for complete search history.

(56) **References Cited**

U.S. PATENT DOCUMENTS

1,512,352	A	10/1924	Mallardi	
5,878,757	A	3/1999	Hernandez	
D441,190	S *	5/2001	Eskandry	D3/289
D451,274	S *	12/2001	Kegels	D3/217
D479,648	S *	9/2003	De Lathouwer	D3/216
D485,432	S *	1/2004	Desrochers	D3/216
D530,078	S	10/2006	Siegal	
D532,601	S	11/2006	Siegal	
D548,455	S *	8/2007	Aliberti et al.	D3/216
D554,866	S	11/2007	Hasty	
7,926,661	B2 *	4/2011	Beeman	206/572
D638,623	S *	5/2011	Chen	D3/204
D658,363	S *	5/2012	Biddle	D3/217
D661,085	S *	6/2012	Custer	D3/217
D690,095	S *	9/2013	Garcia et al.	D3/217

* cited by examiner

Primary Examiner — Ian Simmons

Assistant Examiner — Charles Hanson

(74) *Attorney, Agent, or Firm* — Buckingham, Doolittle & Burroughs, LLC

(57) **CLAIM**

The ornamental design for a clipper caddy, as shown and described.

DESCRIPTION

FIG. 1 is a perspective view of the device of the present invention.

FIG. 2 is a front elevational view of the device of the present invention.

FIG. 3 is a top view of the device of the present invention.

FIG. 4 is a bottom view of the device of the present invention.

FIG. 5 is a rear elevational view of the device of the present invention.

FIG. 6 is a first side elevational view of the device of the present invention.

FIG. 7 is a second side elevational view of the device of the present invention.

FIG. 8 is a perspective view of the device of the present invention in a partially opened position.

FIG. 9 is a top view of the present invention, showing line 14-14;

FIG. 10 is a top view of the present invention, showing line 15-15;

FIG. 11 is a top view of the present invention, showing line 16-16;

FIG. 12 is a top view of the present invention, showing line 17-17;

FIG. 13 is a front elevational view of the present invention, showing line 18-18;

FIG. 14 is an elevational cross-sectional view of a first compartment of the invention depicted in FIG. 9.

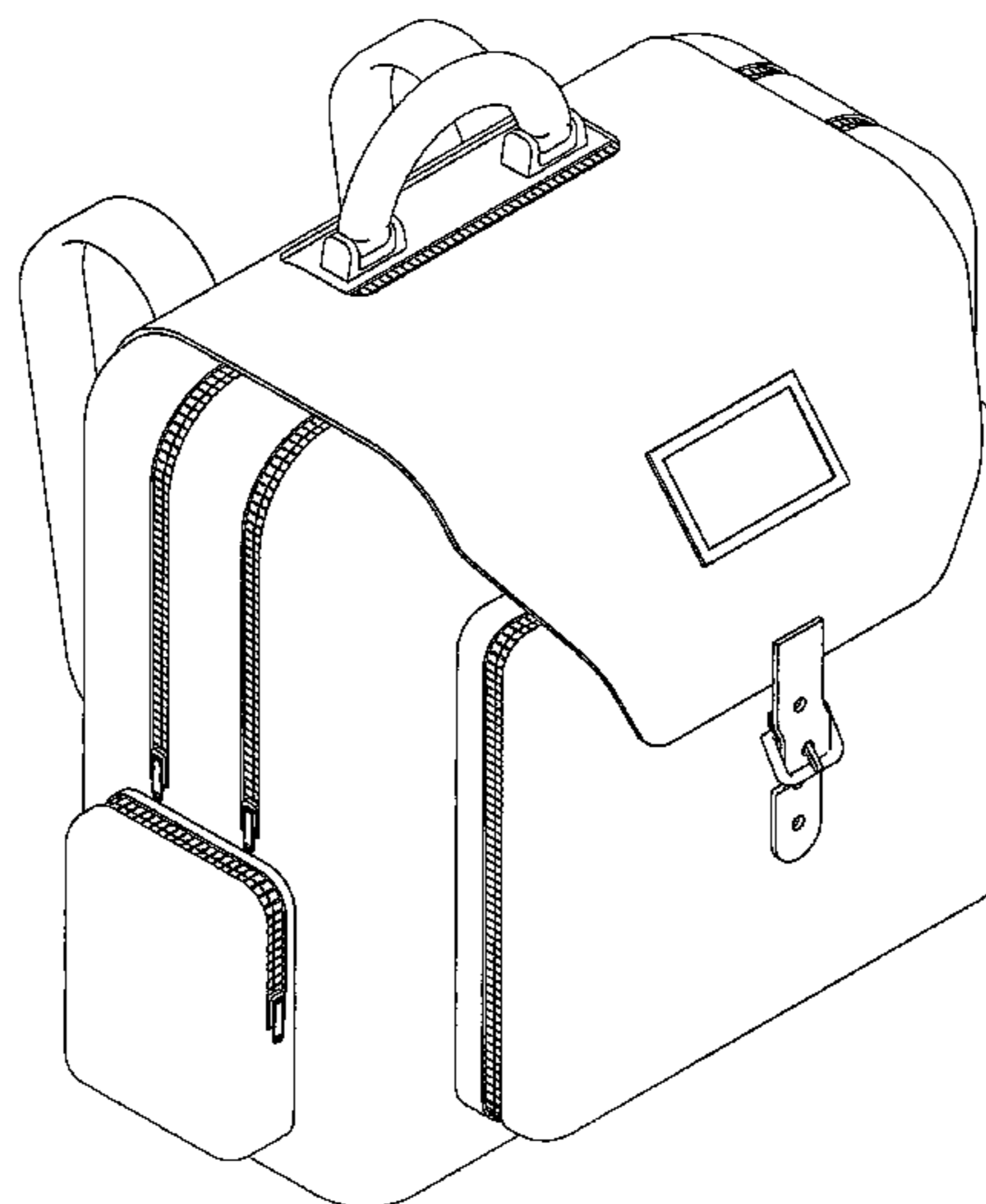
FIG. 15 is an elevational cross-sectional view of a first compartment of the invention depicted in FIG. 10.

FIG. 16 is an elevational cross-sectional view of a second compartment of the invention depicted in FIG. 11.

FIG. 17 is an elevational cross-sectional view of a second compartment of the invention depicted in FIG. 12; and,

FIG. 18 is a top cross-sectional view of the present invention depicted in FIG. 13.

1 Claim, 18 Drawing Sheets



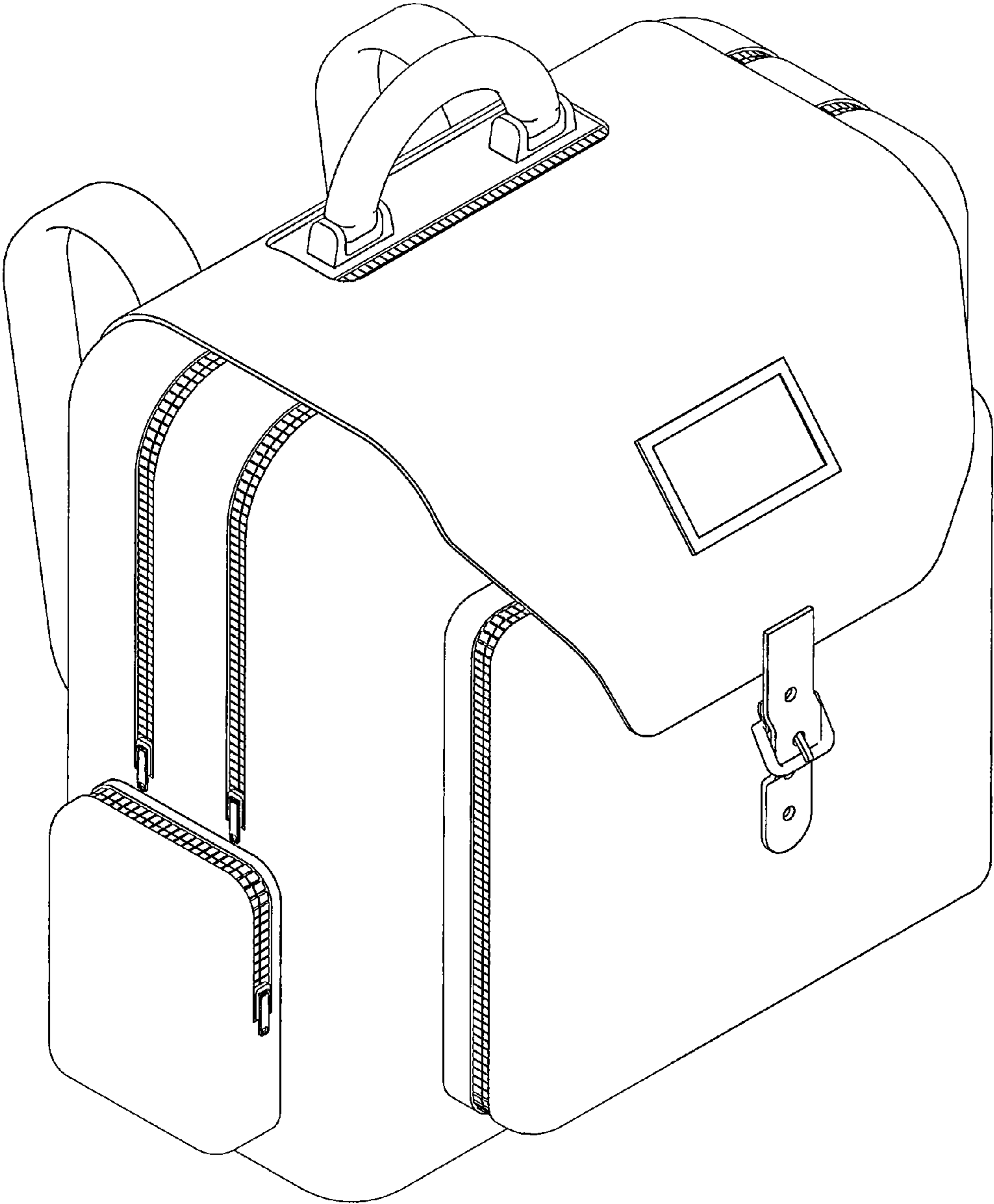


FIG. 1

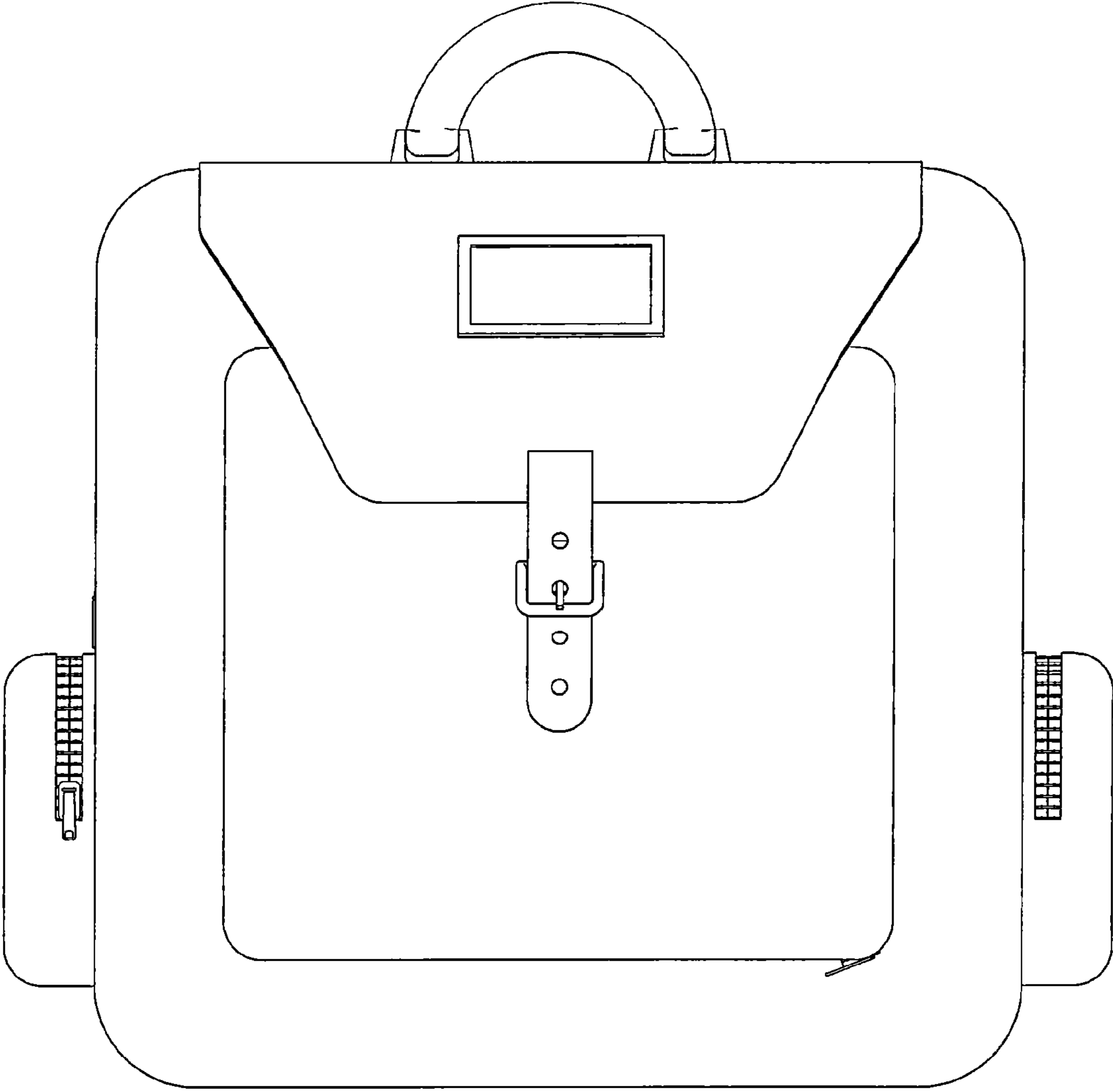


FIG. 2

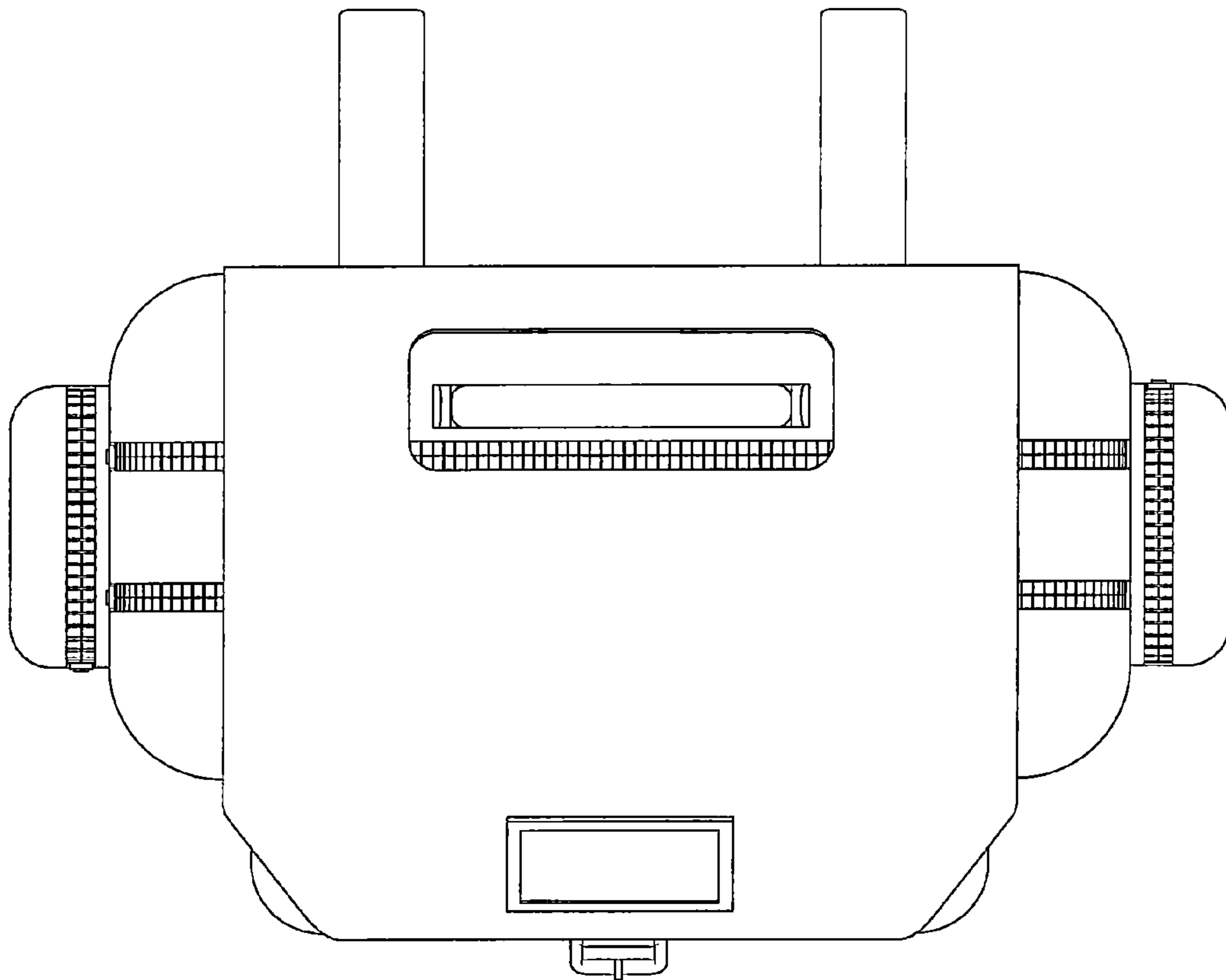


FIG. 3

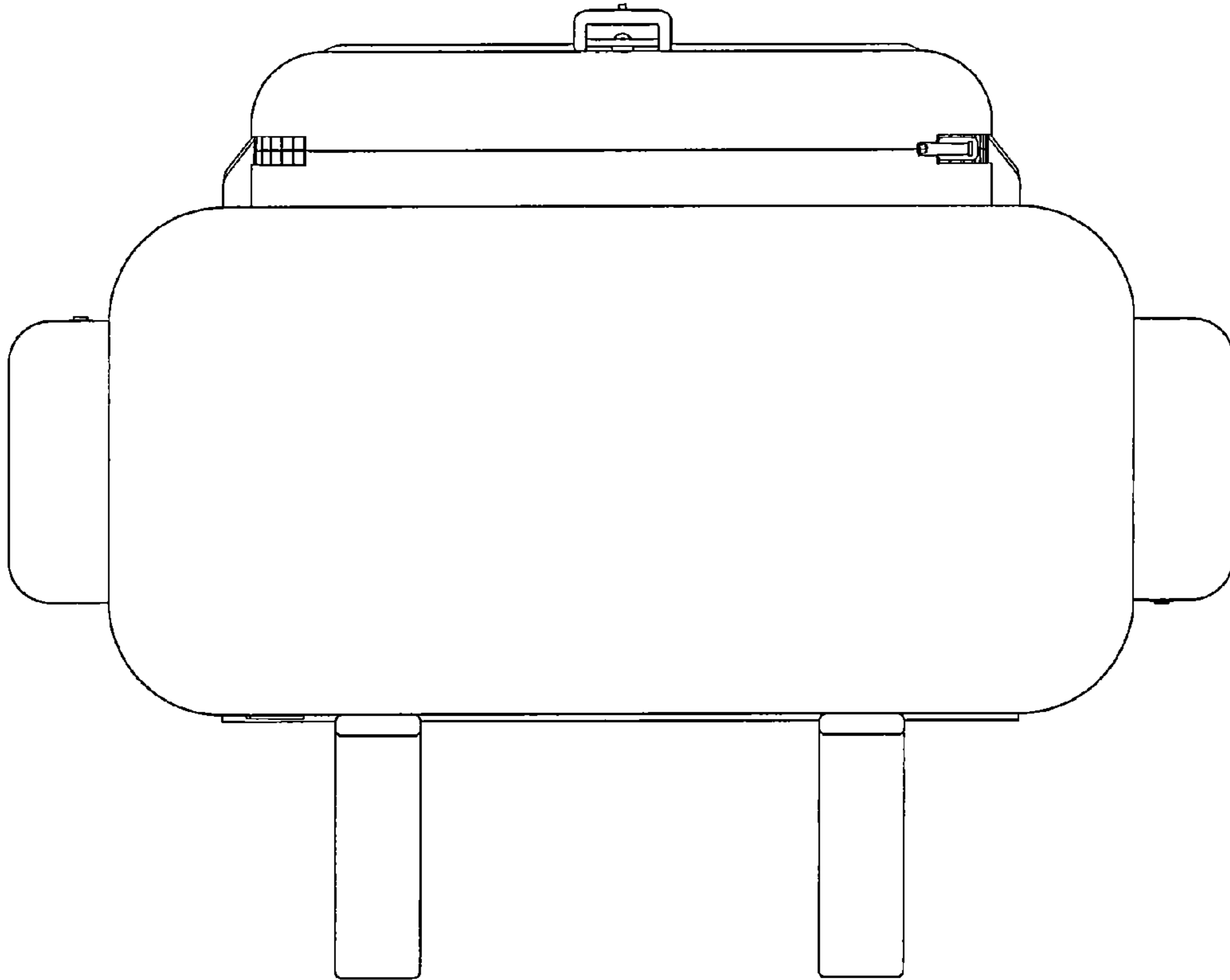


FIG. 4

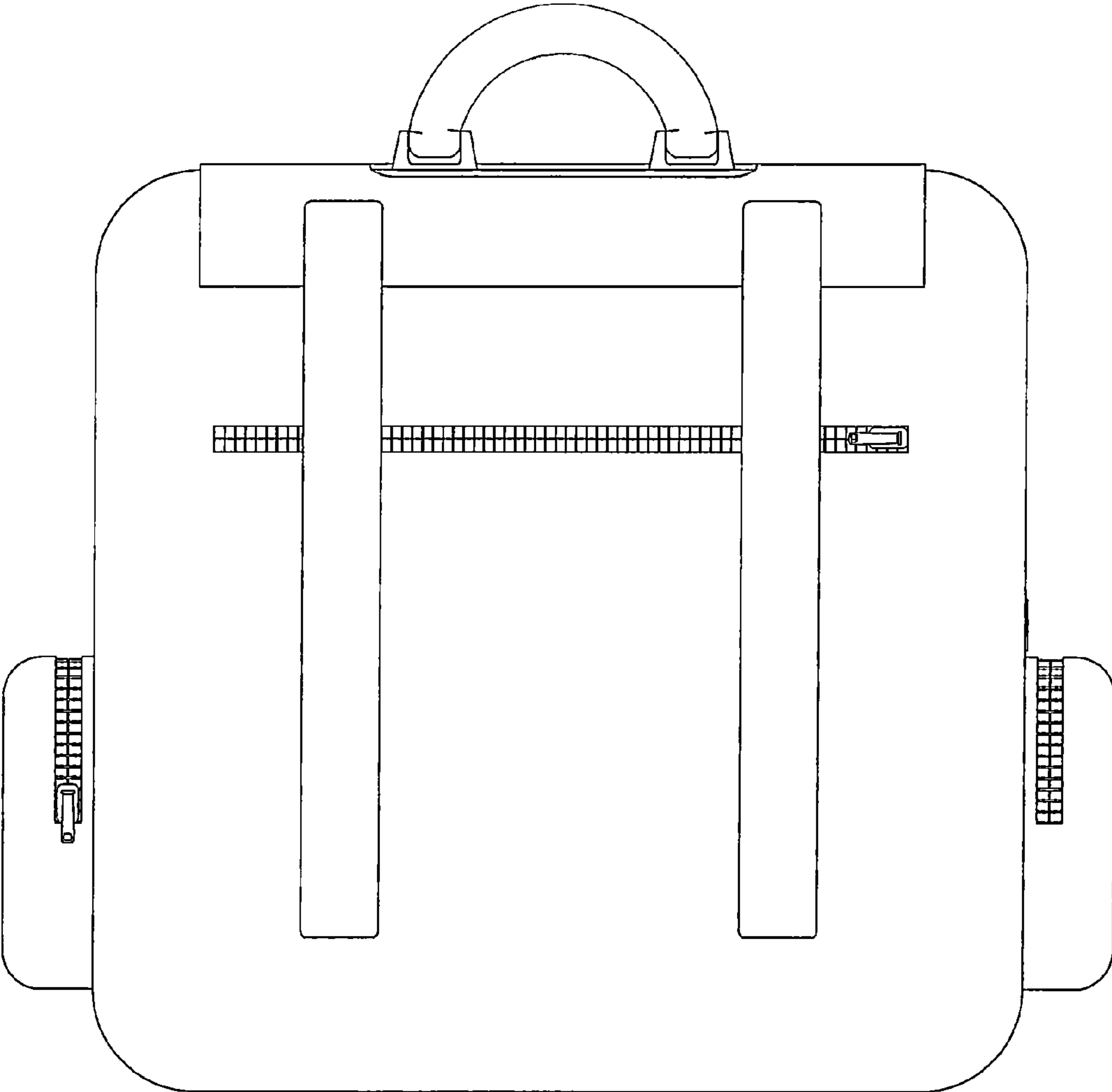


FIG. 5

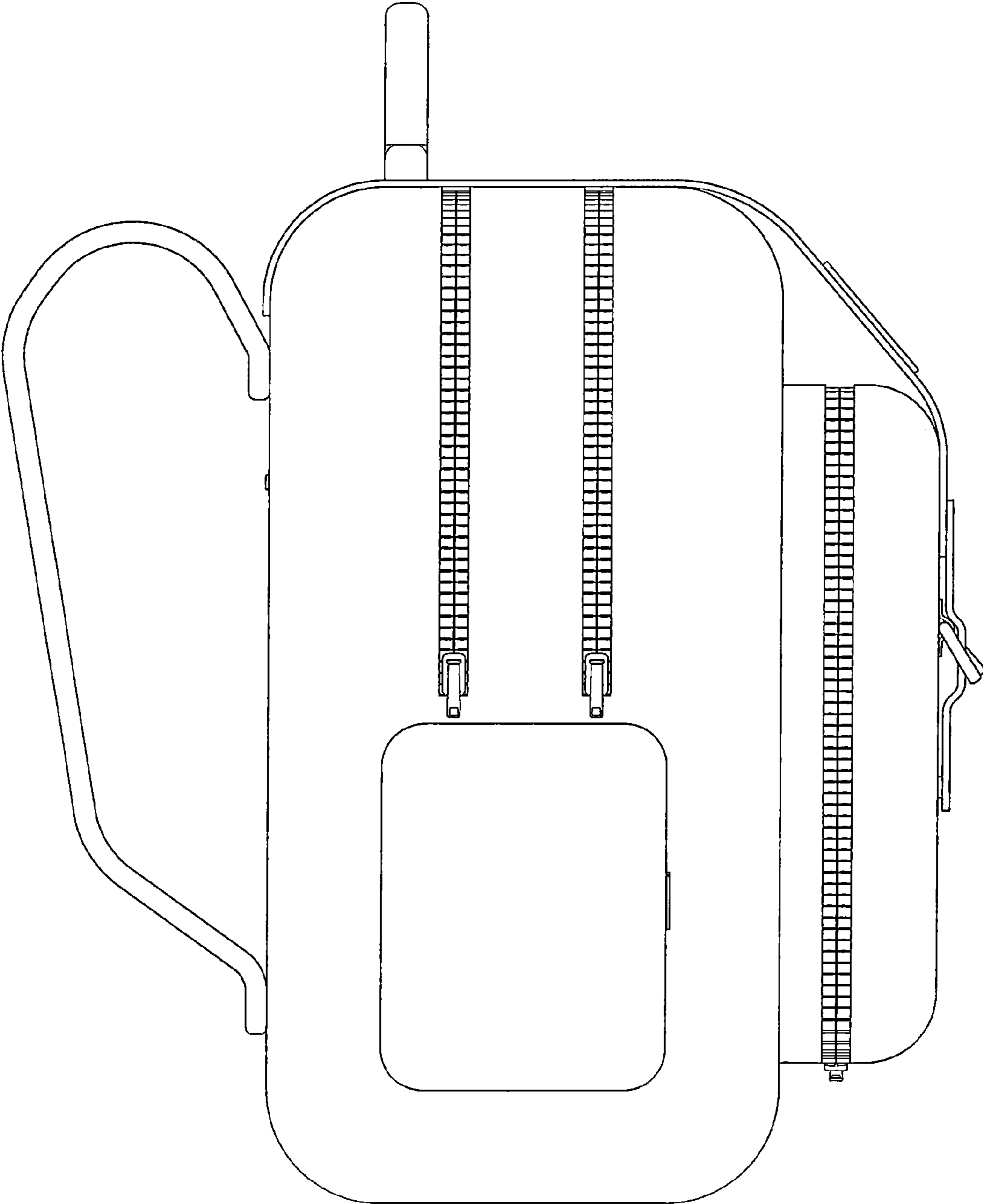


FIG. 6

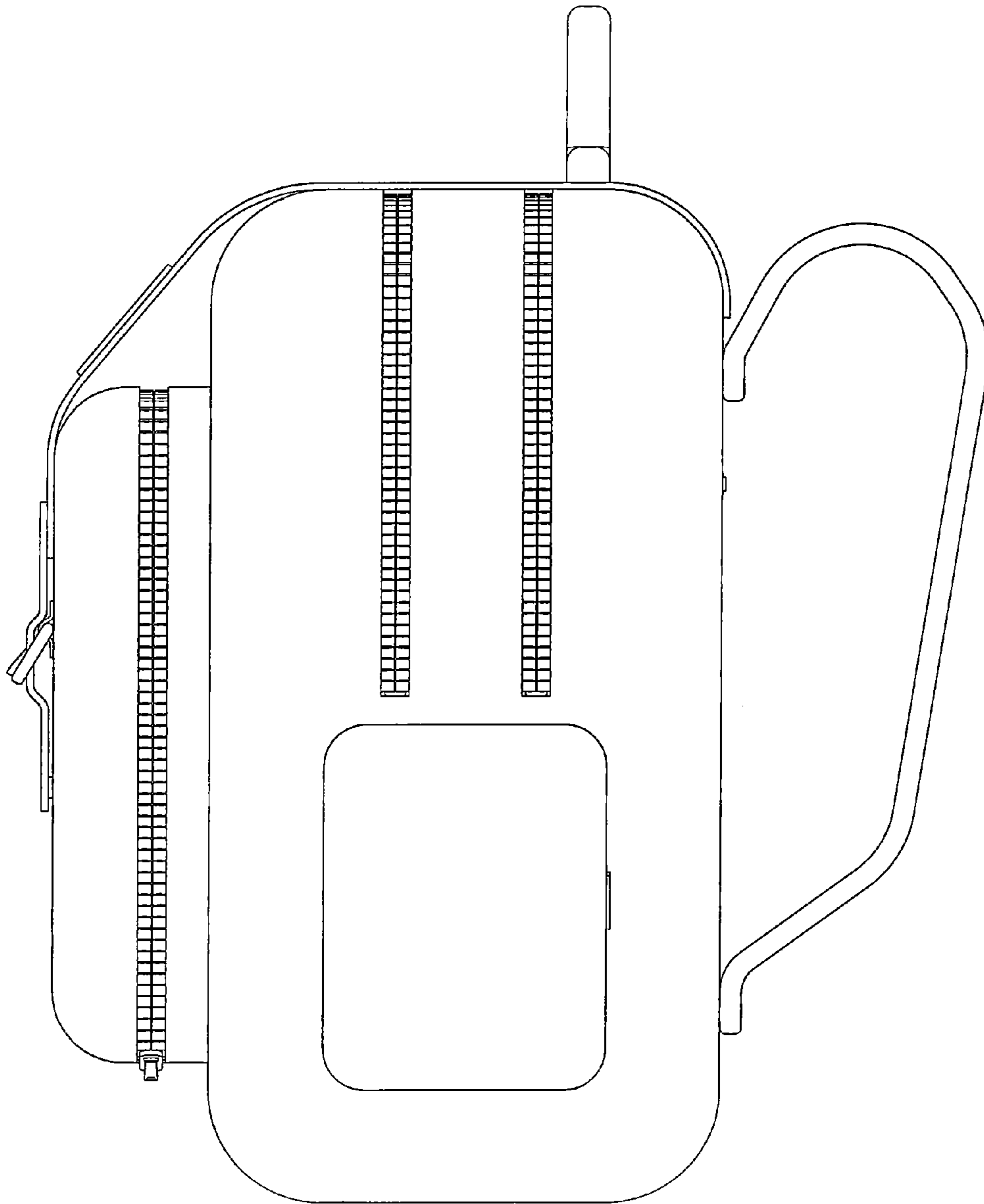


FIG. 7

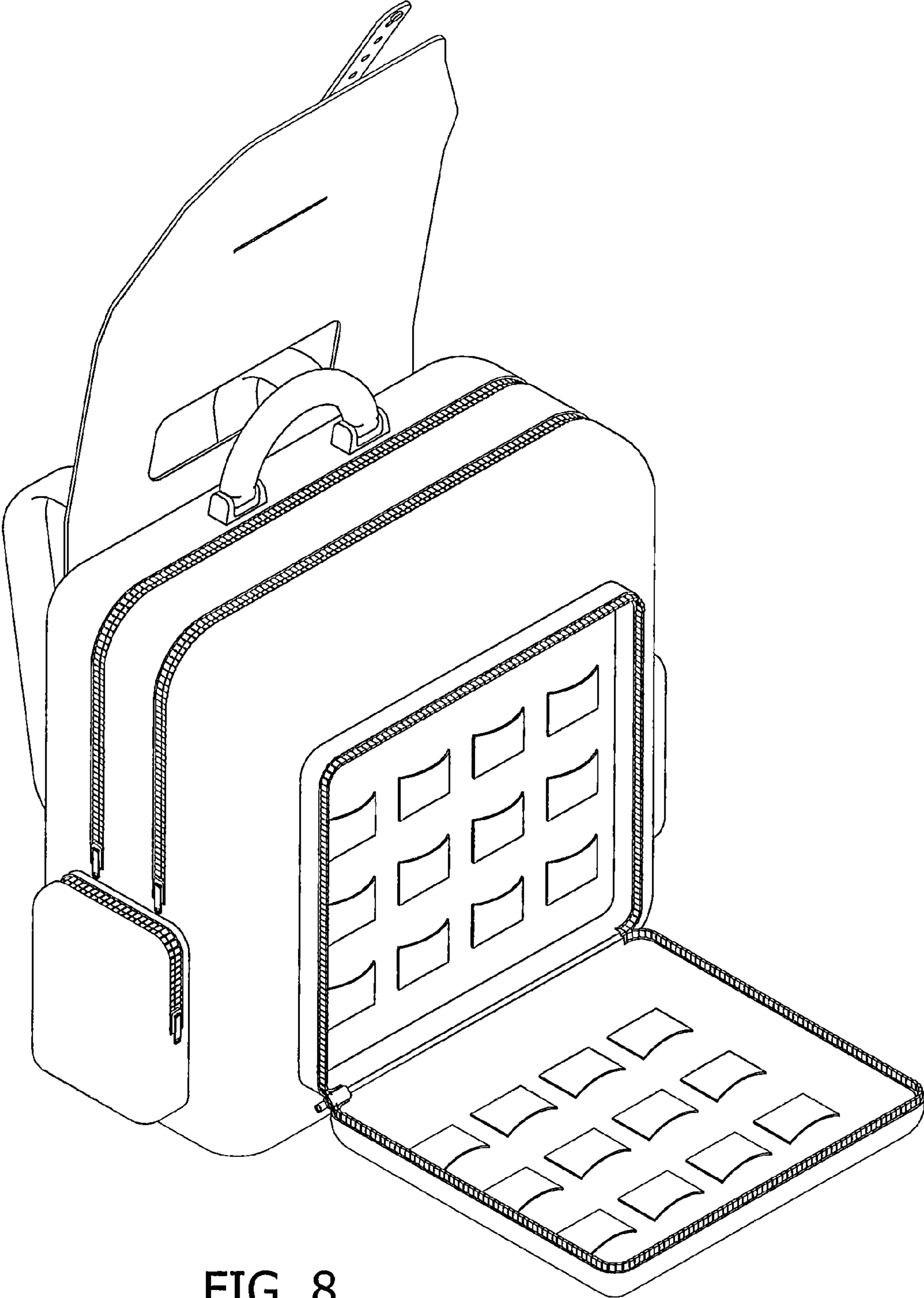


FIG. 8

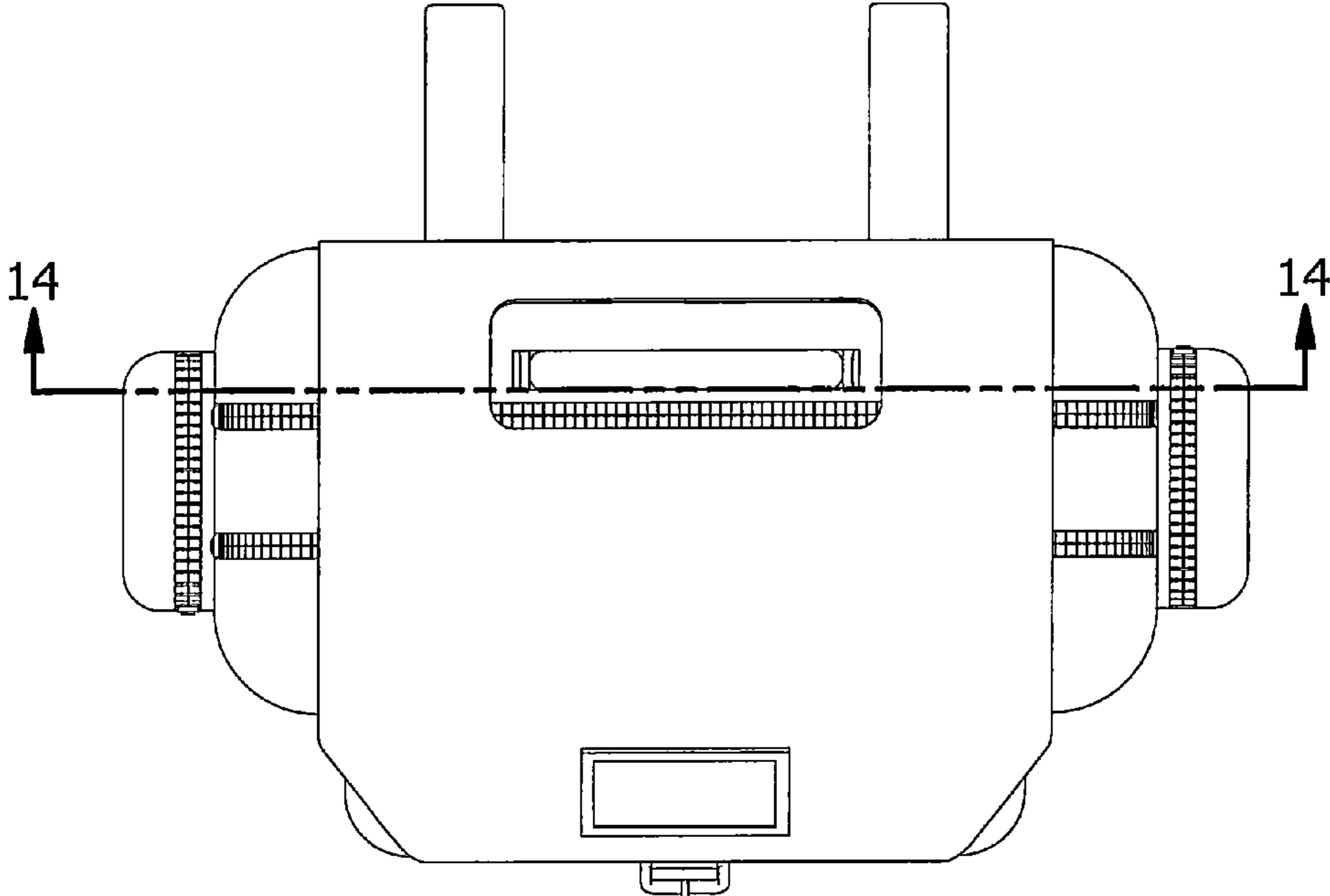


FIG. 9

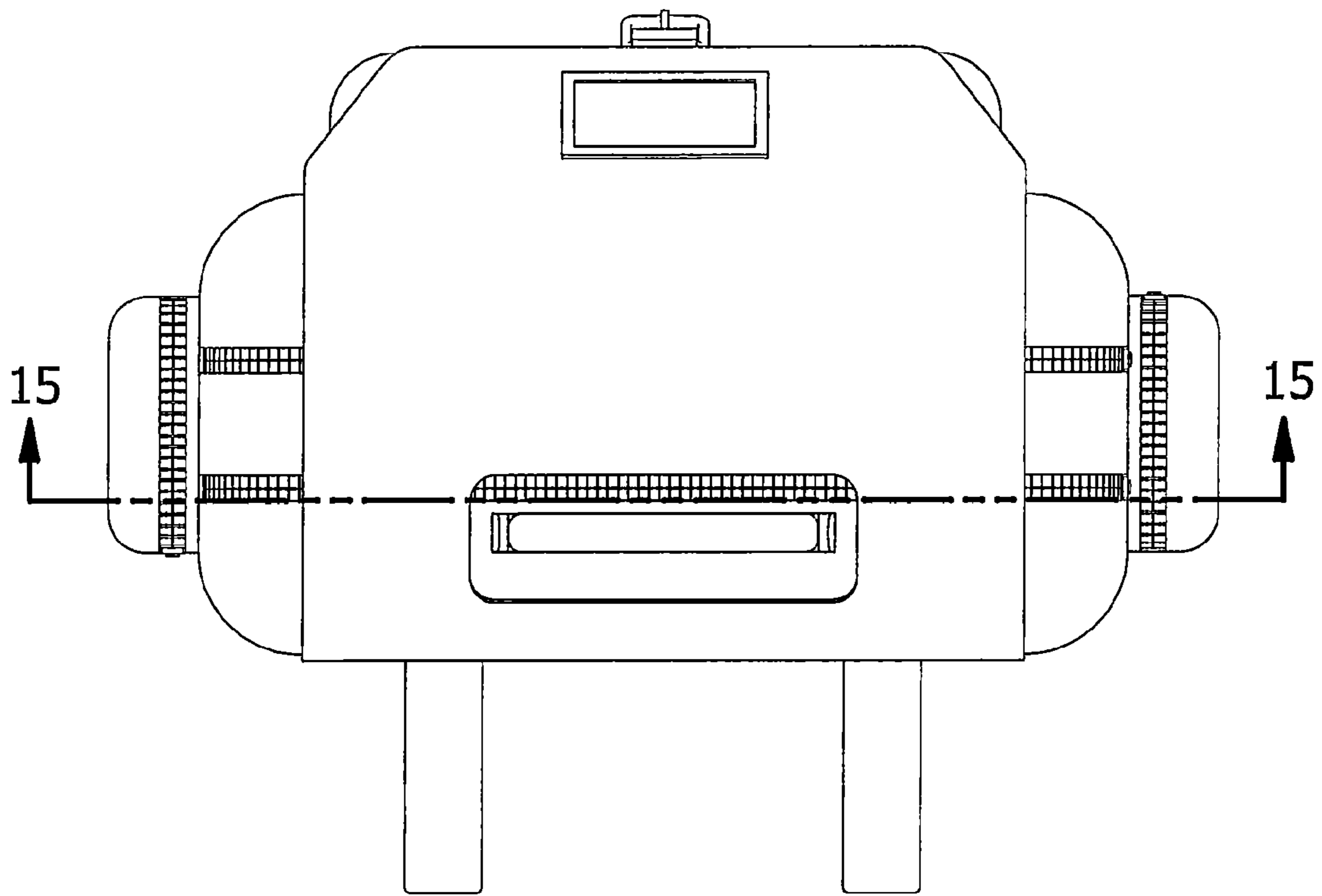


FIG. 10

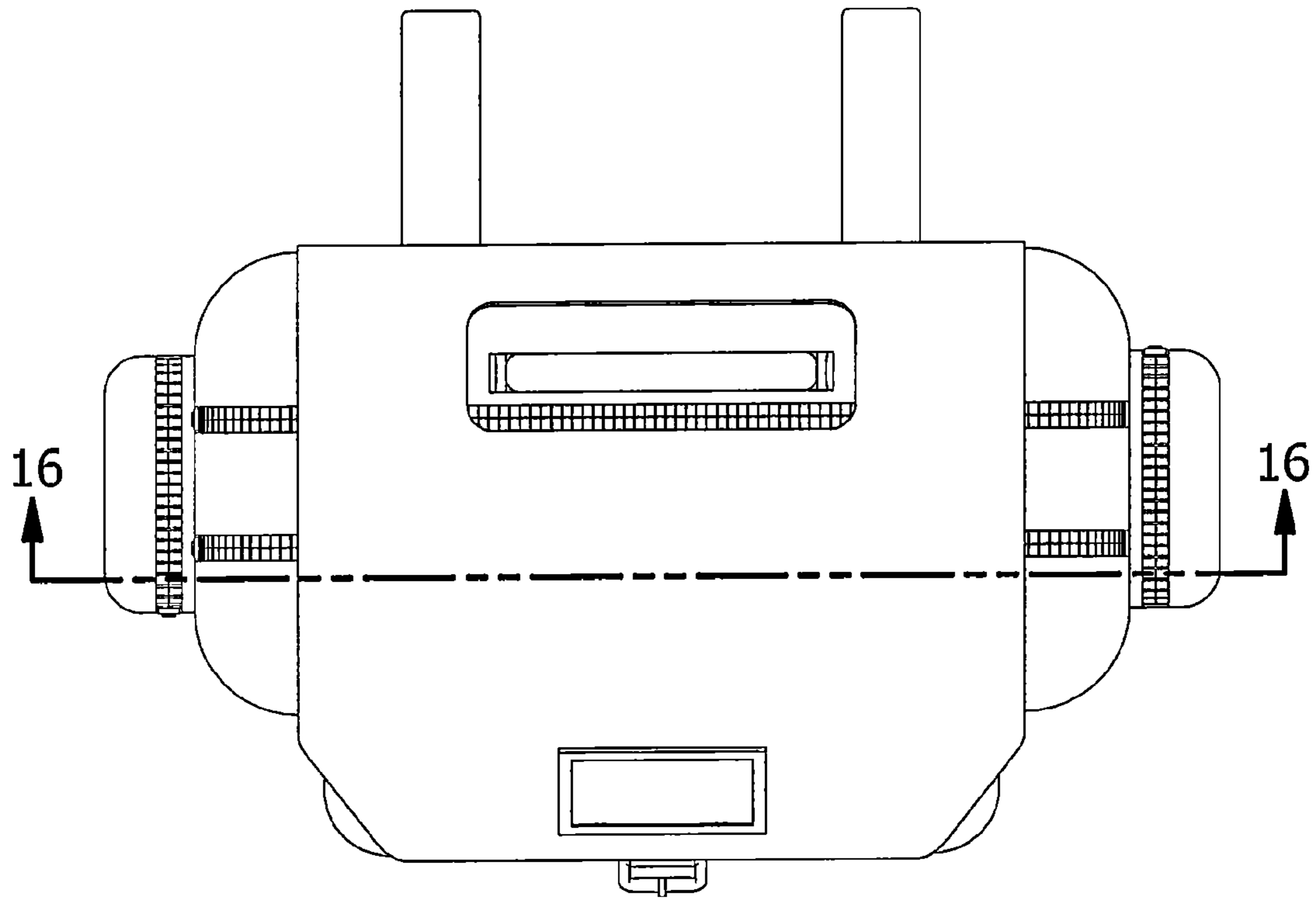


FIG. 11

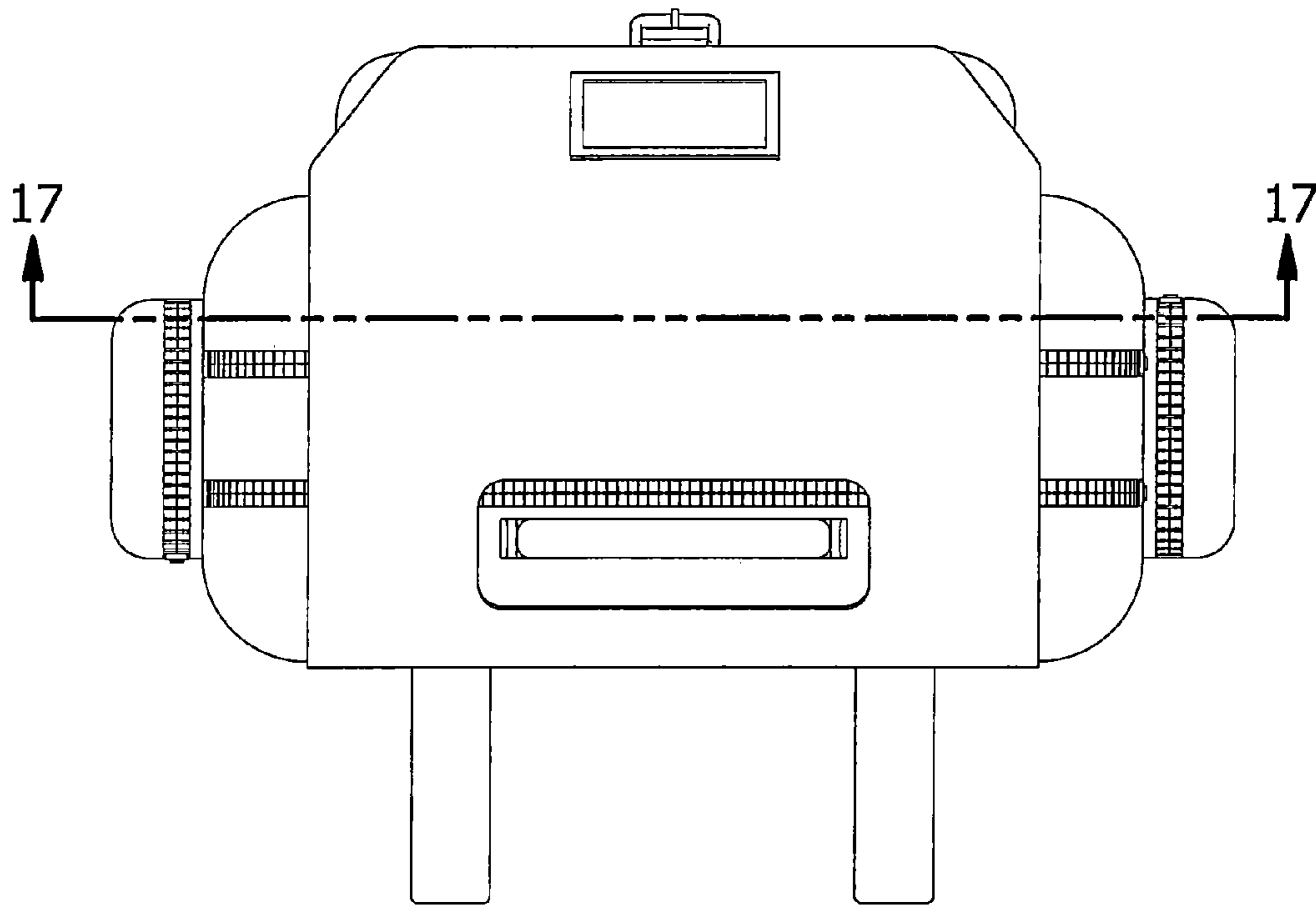


FIG. 12

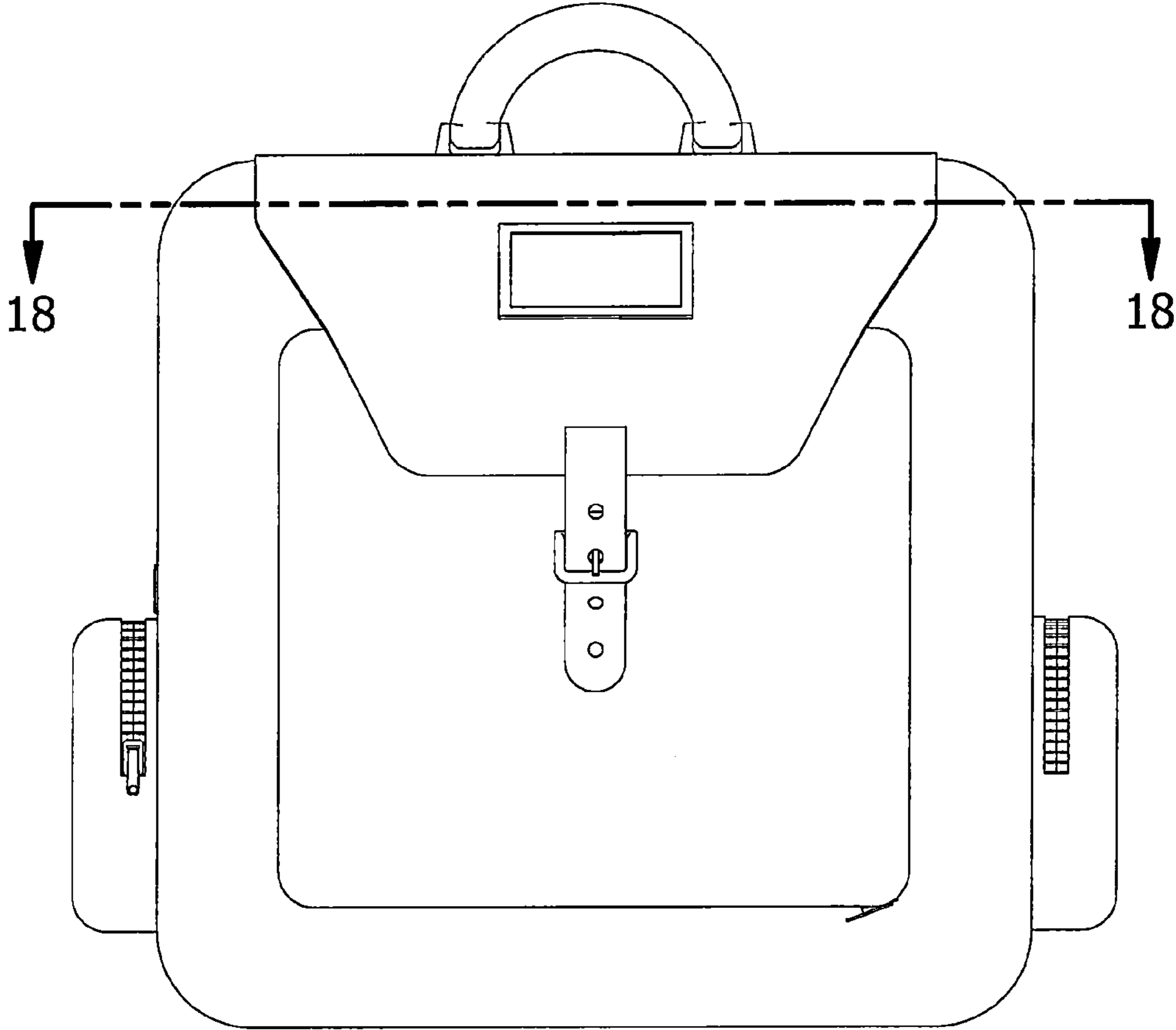


FIG. 13

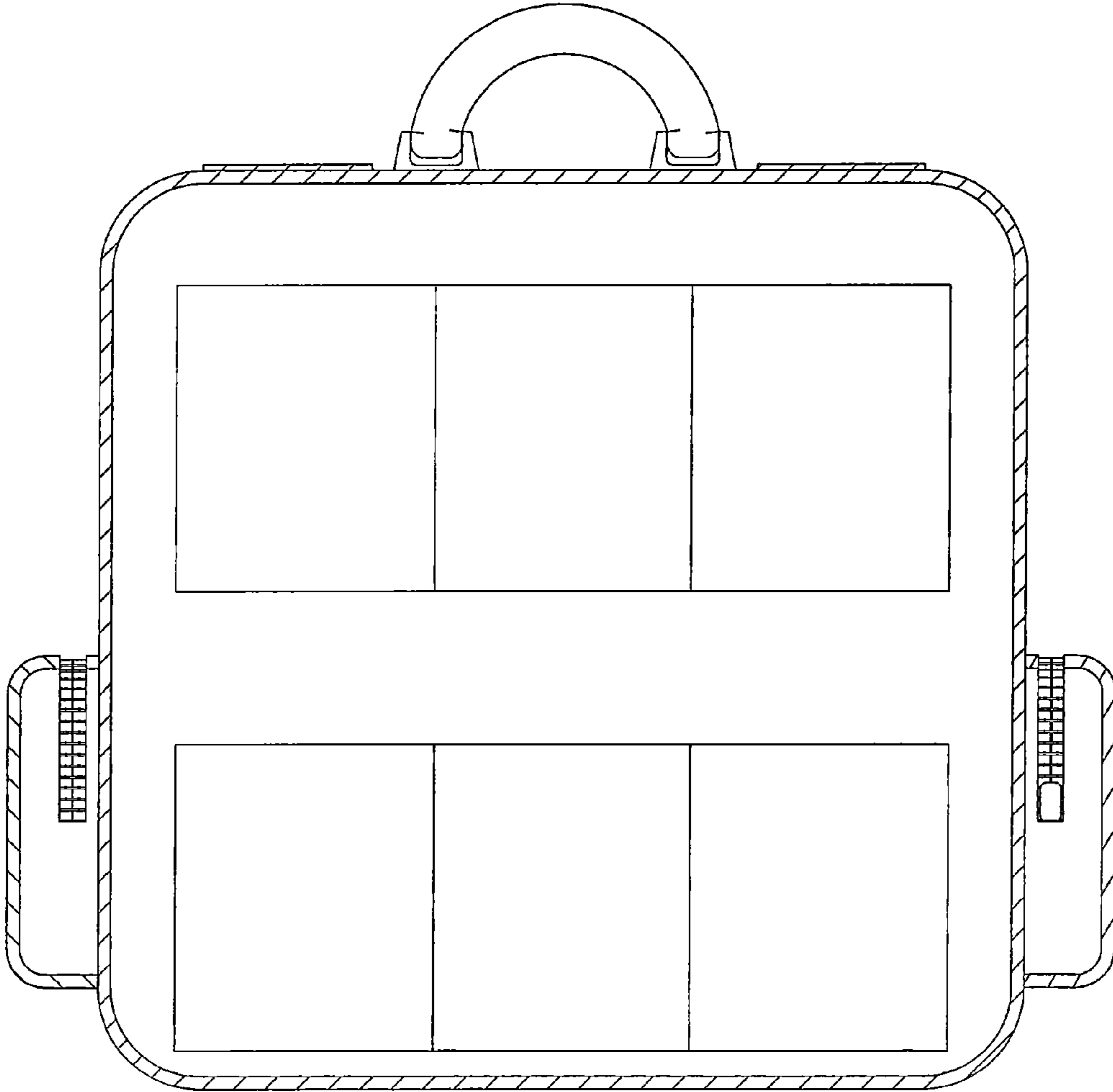


FIG. 14

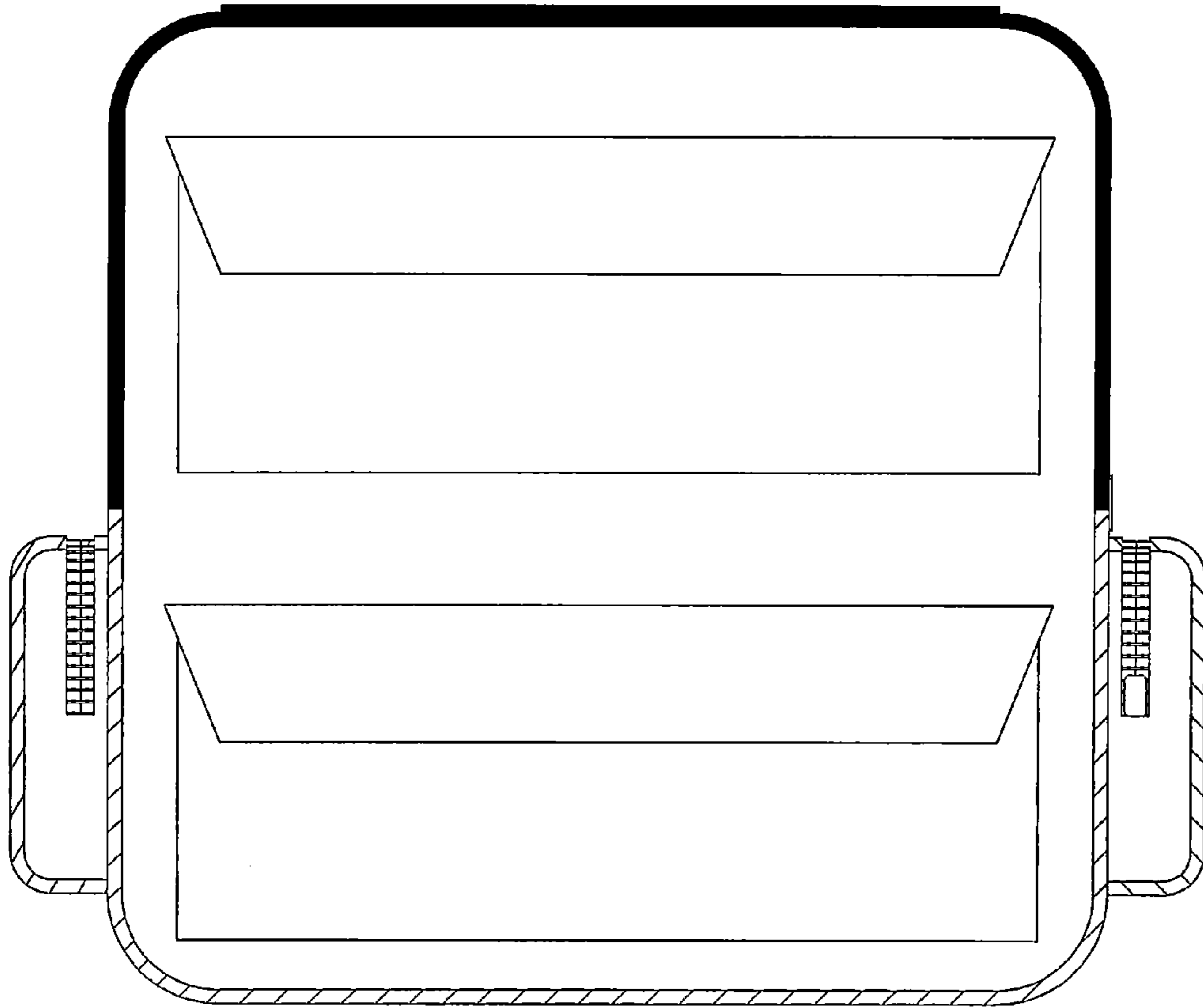


FIG. 15



FIG. 16

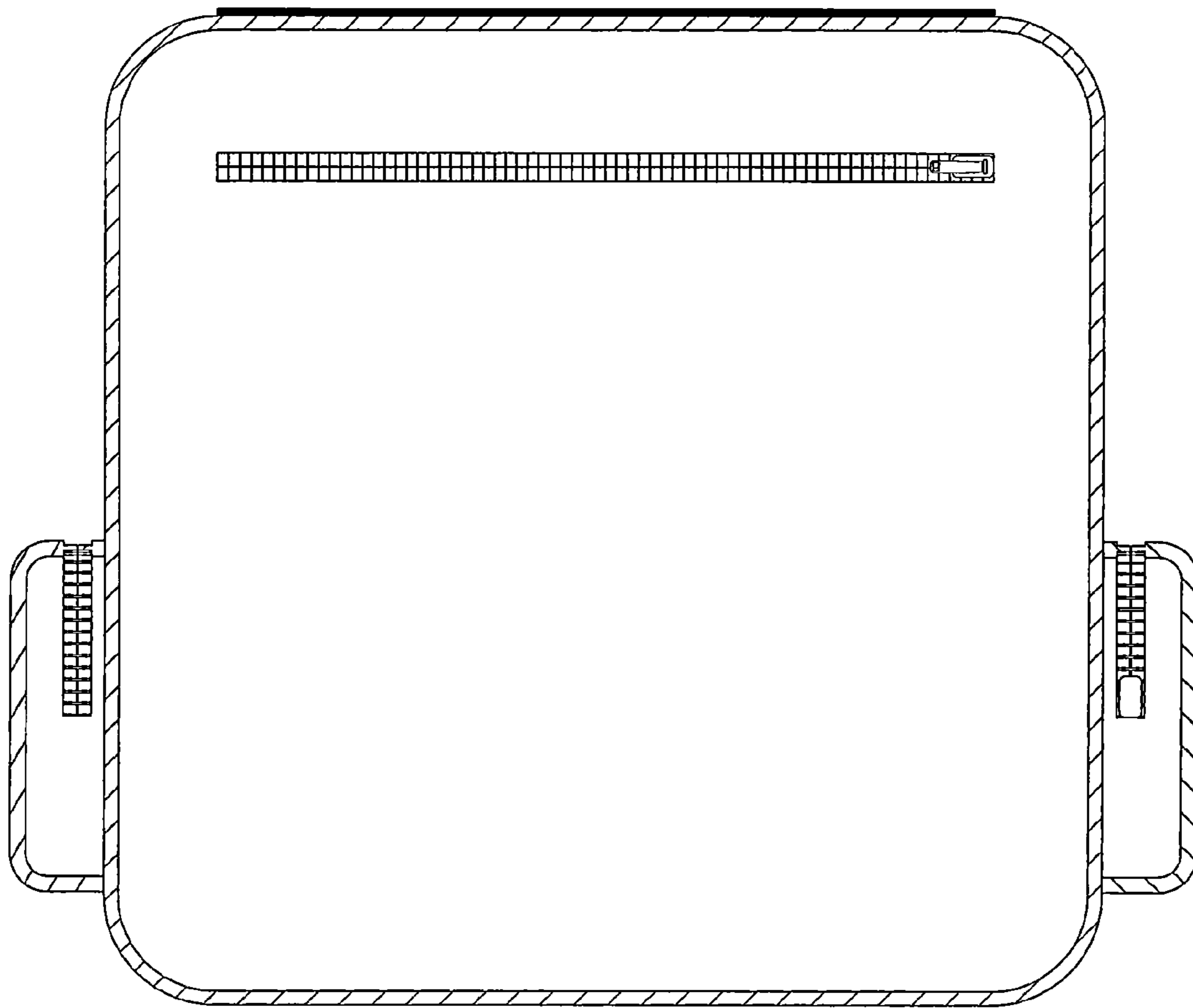


FIG. 17

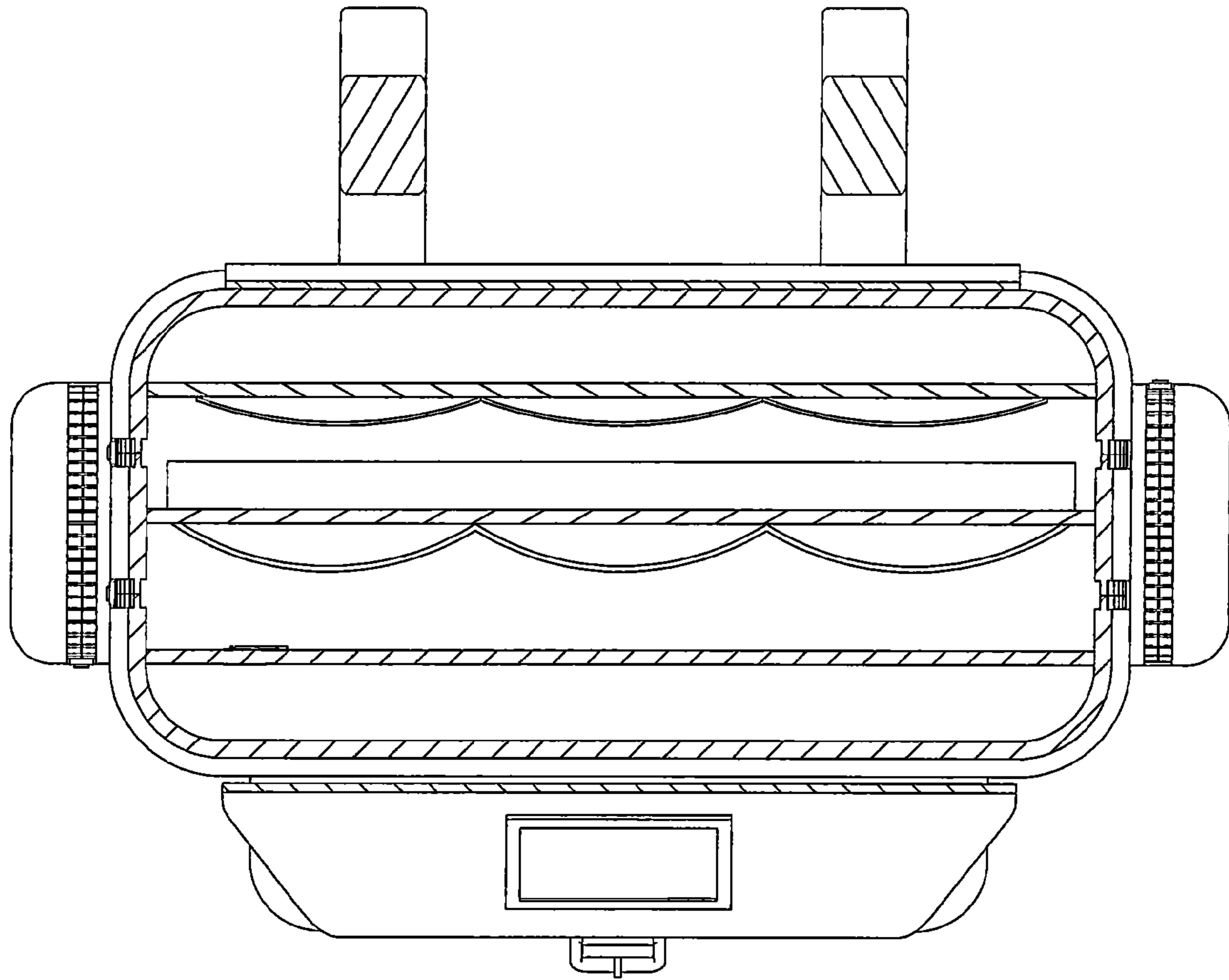


FIG. 18