



US00D707017S

(12) **United States Design Patent**
Wolf et al.

(10) **Patent No.:** **US D707,017 S**
(45) **Date of Patent:** **** Jun. 17, 2014**

(54) **COMBINED JACKET AND BACKPACK**

(71) Applicants: **Lisa A. Wolf**, Somerville, MA (US);
Ralph Esposito, Somerville, MA (US)

(72) Inventors: **Lisa A. Wolf**, Somerville, MA (US);
Ralph Esposito, Somerville, MA (US)

(**) Term: **14 Years**

(21) Appl. No.: **29/457,801**

(22) Filed: **Jun. 13, 2013**

(51) **LOC (10) Cl.** **02-02**

(52) **U.S. Cl.**
USPC **D2/830**

(58) **Field of Classification Search**
CPC A41D 1/02; A41D 1/04; A41D 3/00;
A41D 3/02; A41D 3/005
USPC D2/750, 751, 752, 755, 828, 830, 831,
D2/833, 834, 836, 839; 2/84, 90, 93, 94,
2/96, 108
See application file for complete search history.

(56) **References Cited**

U.S. PATENT DOCUMENTS

| | | | | | |
|-----------|------|---------|------------------|-------|--------|
| 2,165,348 | A * | 7/1939 | Daiber | | 2/94 |
| 4,669,127 | A | 6/1987 | Swanson | | |
| 5,165,111 | A | 11/1992 | Lieberman | | |
| 5,699,560 | A | 12/1997 | Greenberg | | |
| 5,960,480 | A * | 10/1999 | Neustater et al. | | 2/456 |
| D426,051 | S * | 6/2000 | Bugel et al. | | D2/830 |
| 6,405,377 | B1 * | 6/2002 | Davis | | 2/94 |

| | | | | | |
|--------------|------|---------|----------------|-------|--------|
| 7,000,255 | B1 * | 2/2006 | Baacke | | 2/94 |
| D580,128 | S * | 11/2008 | Broudy | | D2/839 |
| D611,680 | S * | 3/2010 | Thomas | | D2/830 |
| D620,233 | S * | 7/2010 | Broudy | | D2/839 |
| D659,349 | S * | 5/2012 | Simmons et al. | | D2/830 |
| 2007/0214610 | A1 * | 9/2007 | Fox | | 24/3.1 |
| 2012/0096622 | A1 * | 4/2012 | Johnson | | 2/93 |

FOREIGN PATENT DOCUMENTS

| | | | |
|----|-------------|------|--------|
| CA | 2356589 | A1 * | 2/2003 |
| WO | WO 03077691 | A1 * | 9/2003 |

* cited by examiner

Primary Examiner — Rashida Johnson

(74) *Attorney, Agent, or Firm* — Crossley Patent Law;
Micah C. Gunn

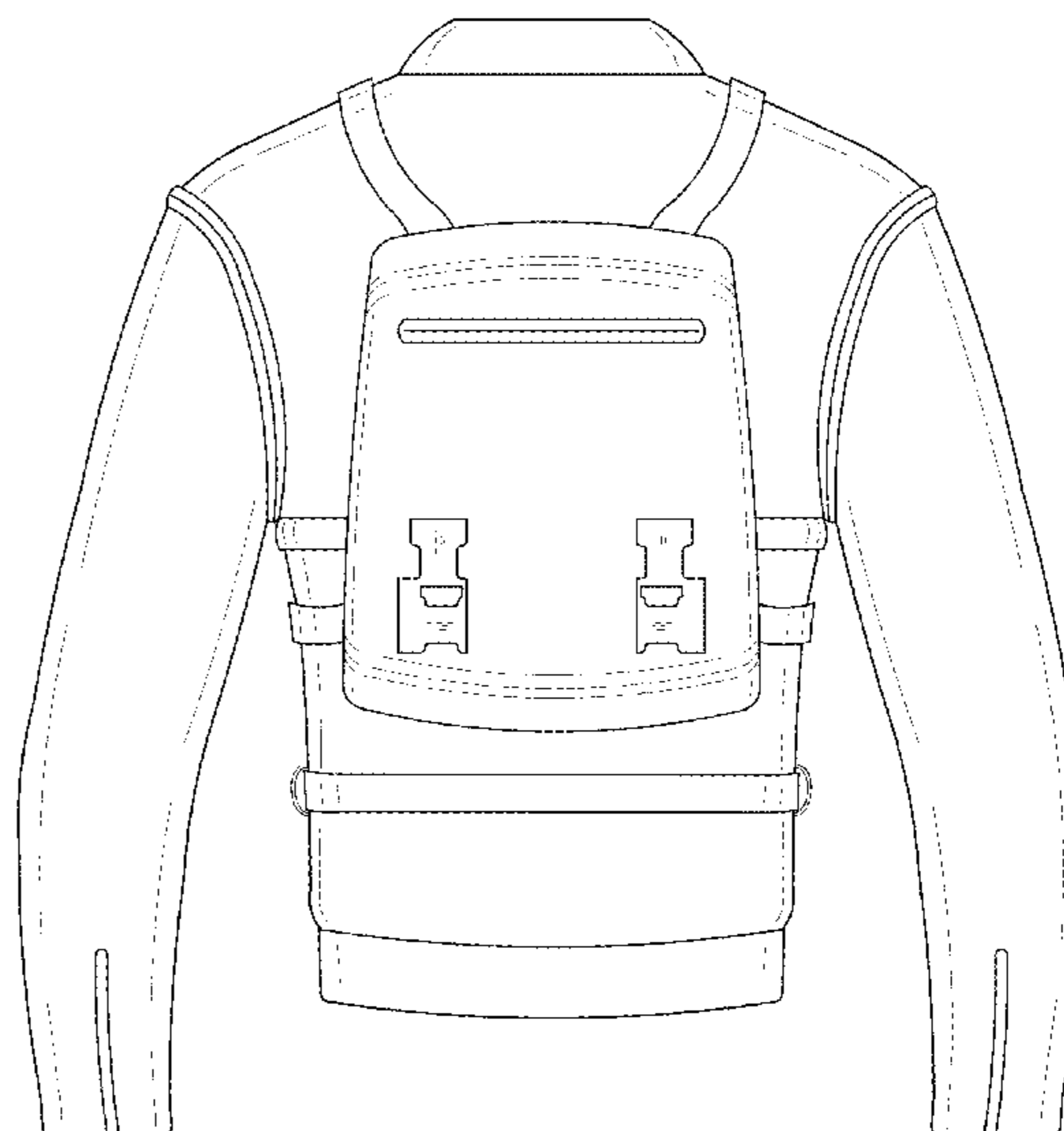
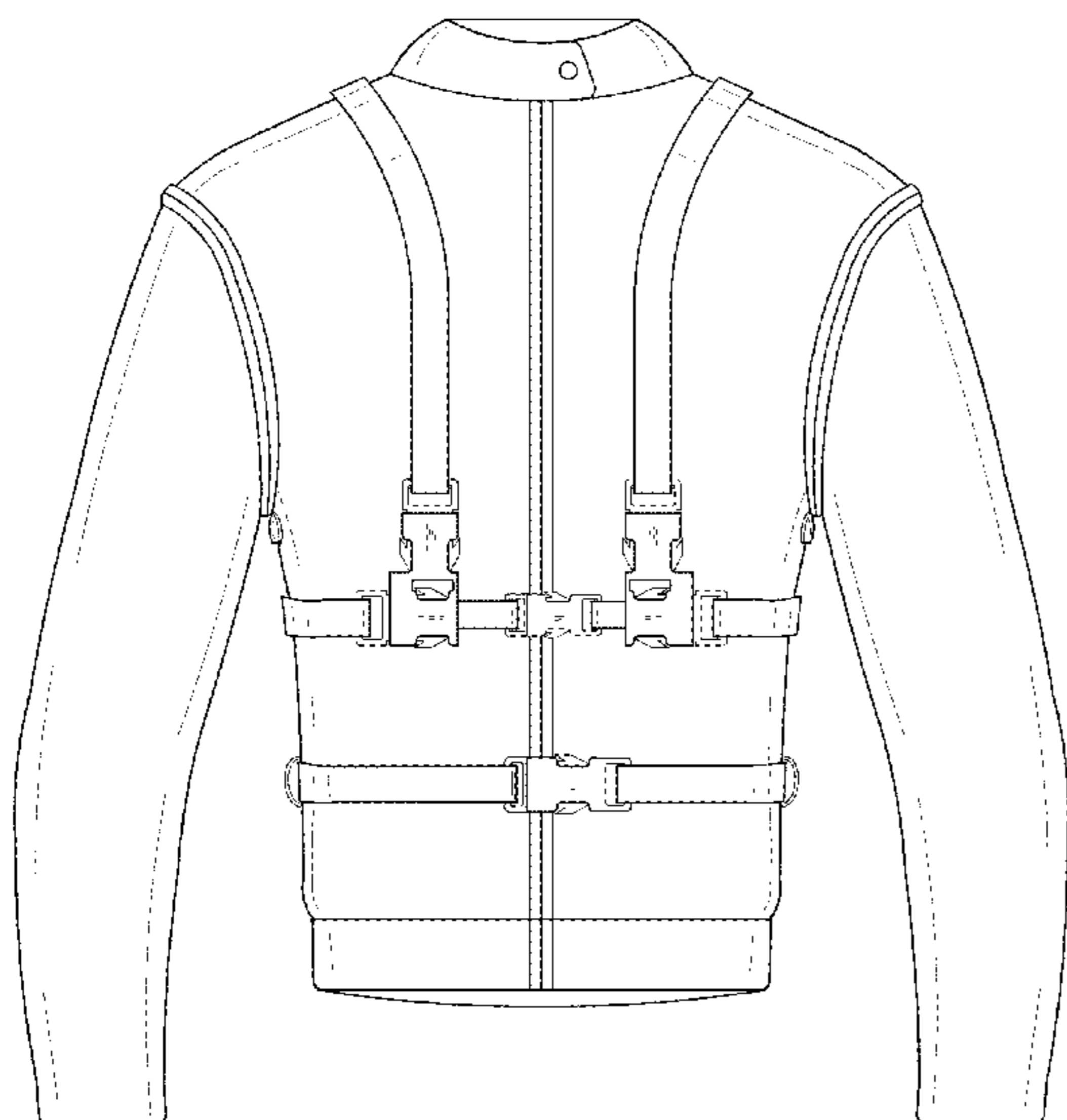
(57) **CLAIM**

The ornamental design for a combined jacket and backpack,
as shown and described.

DESCRIPTION

FIG. 1 is a front elevation view of a combined jacket and backpack showing our new design illustrated in a closed position;
FIG. 2 is a rear elevation view thereof;
FIG. 3 is a right side elevation view thereof;
FIG. 4 is a left side elevation view thereof;
FIG. 5 is a top plan view thereof;
FIG. 6 is a bottom plan view thereof; and,
FIG. 7 is a front elevation view thereof illustrated in a partially open position.

1 Claim, 5 Drawing Sheets



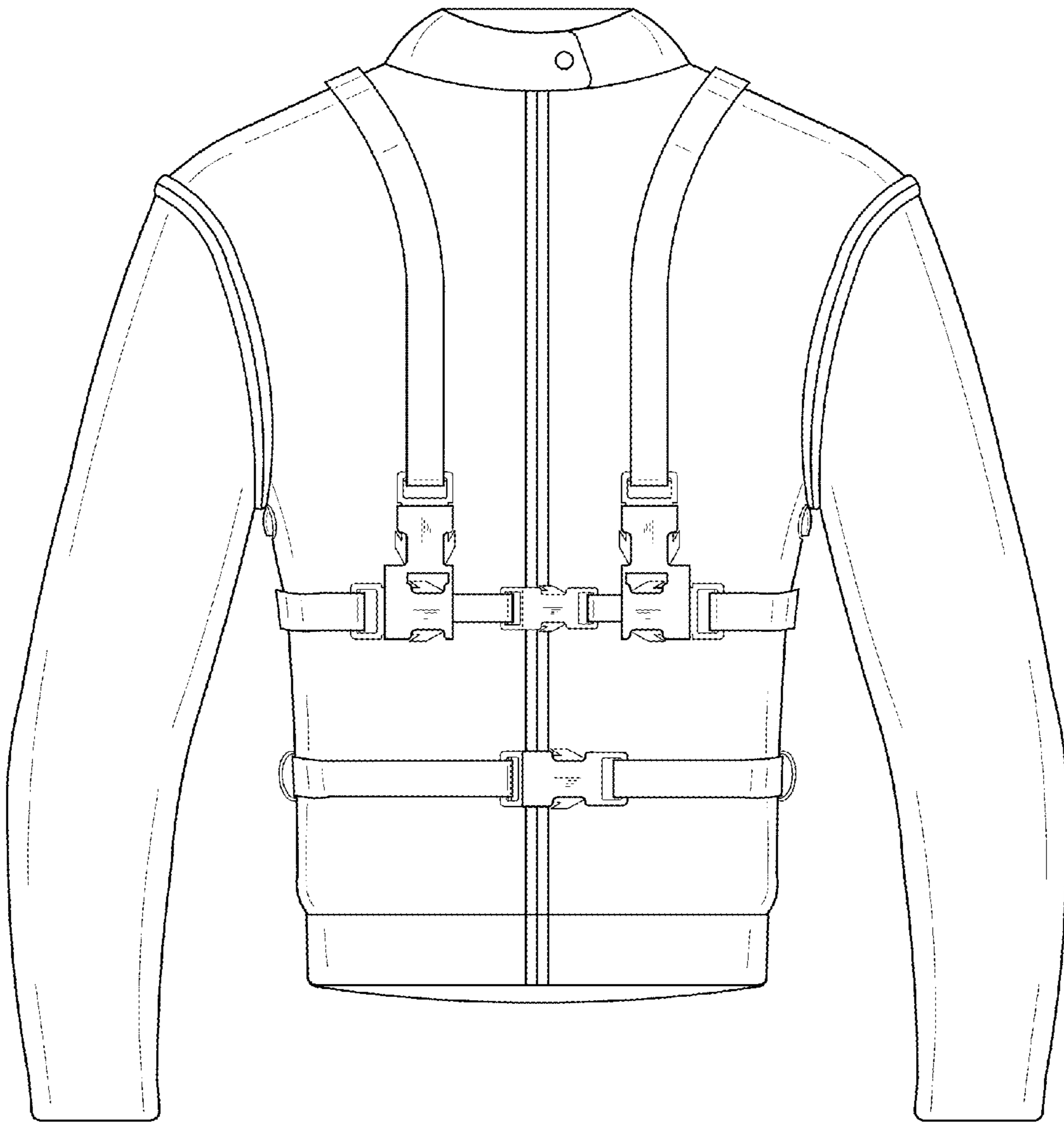


FIG. 1

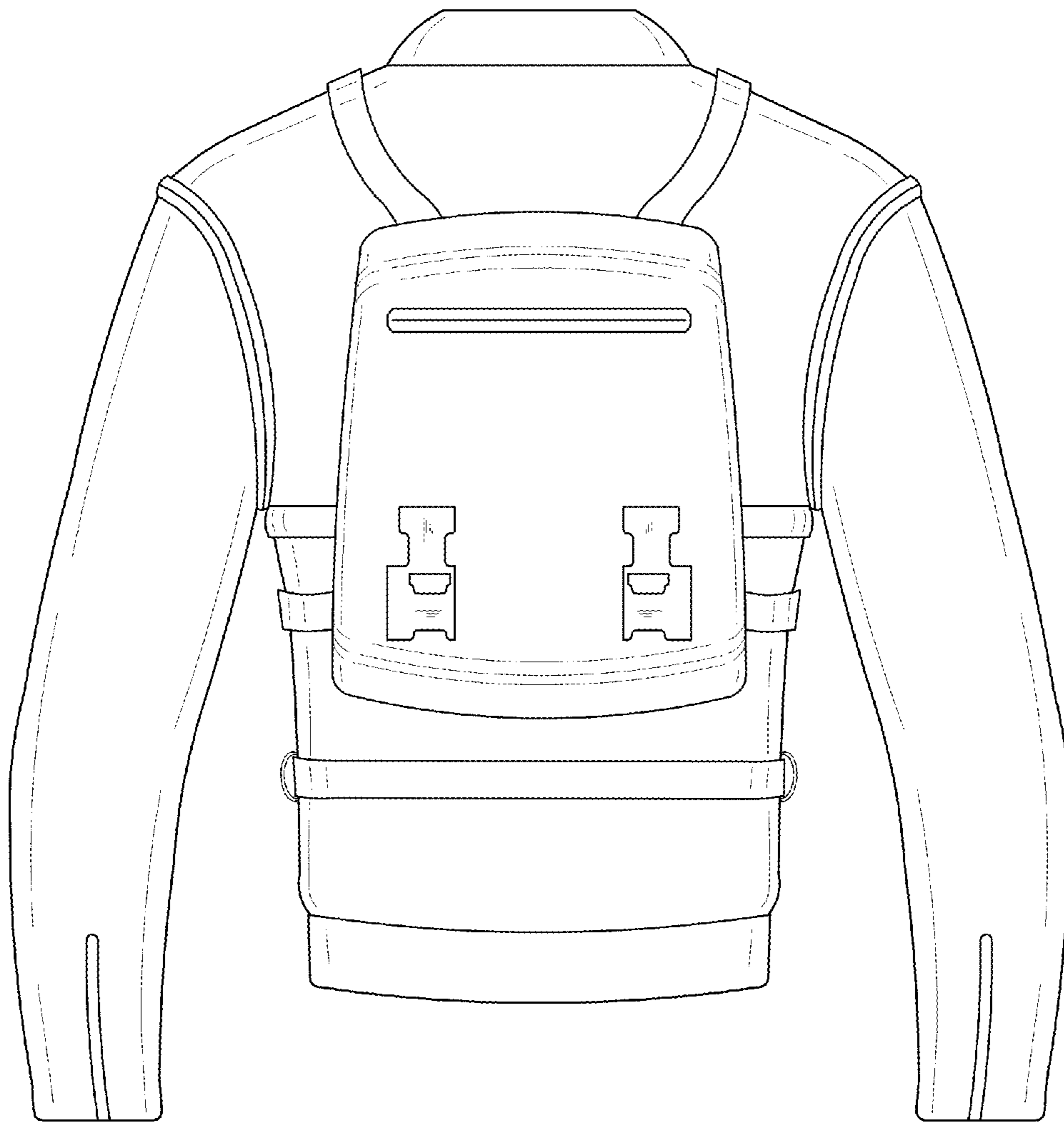


FIG. 2

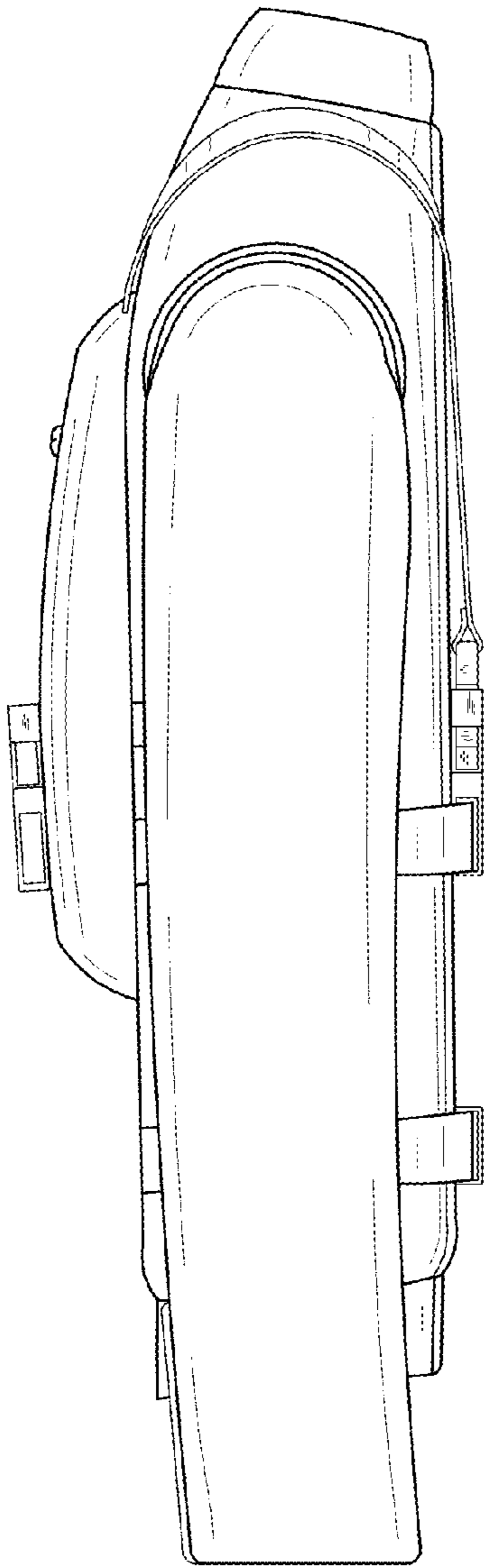


FIG. 3

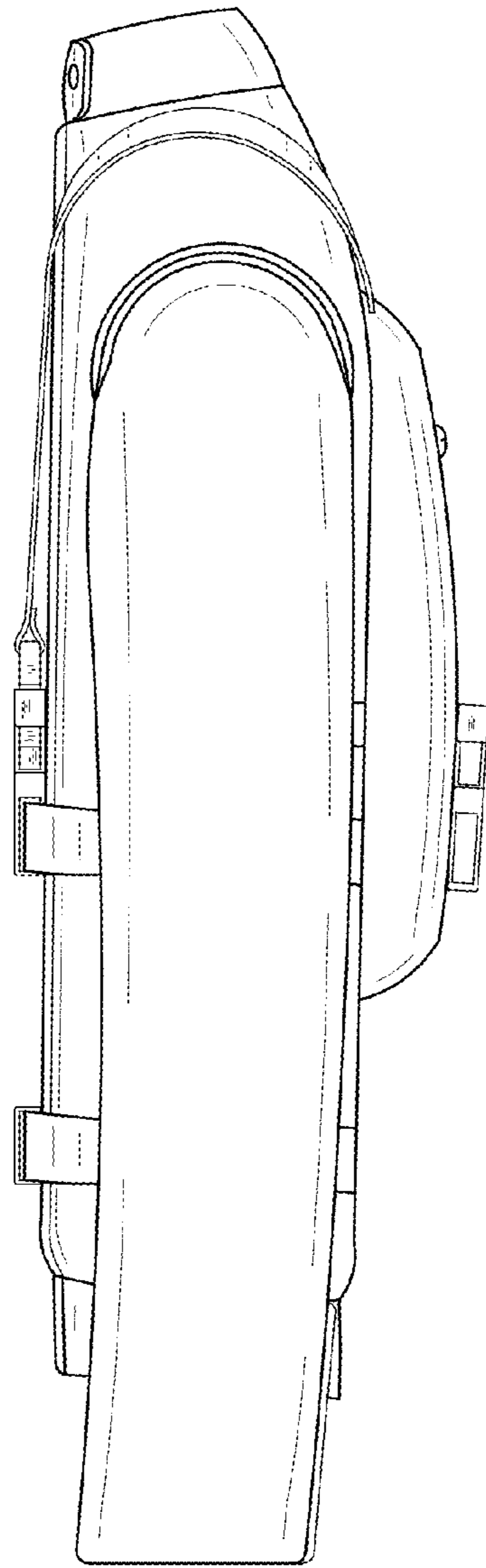


FIG. 4

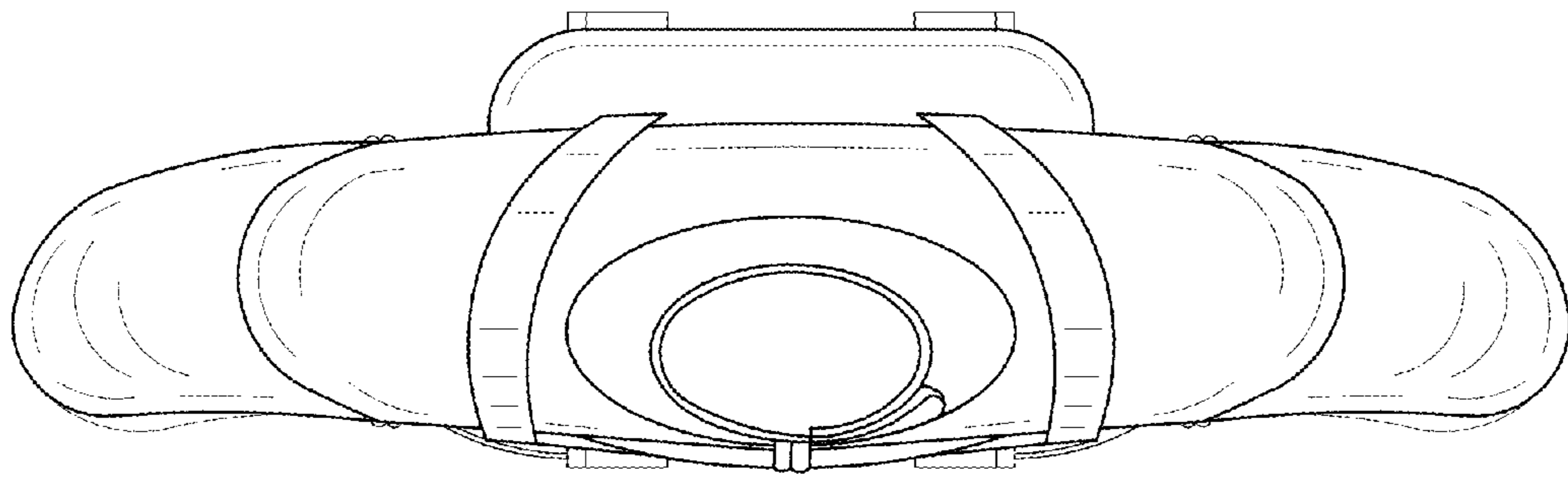


FIG. 5

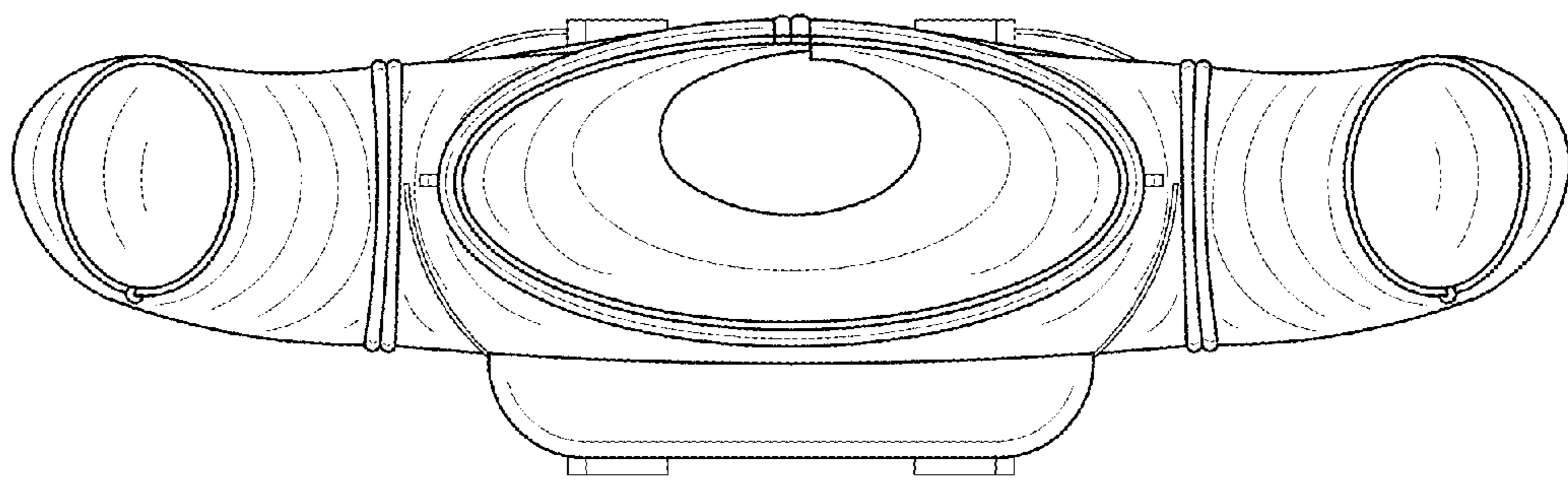


FIG. 6

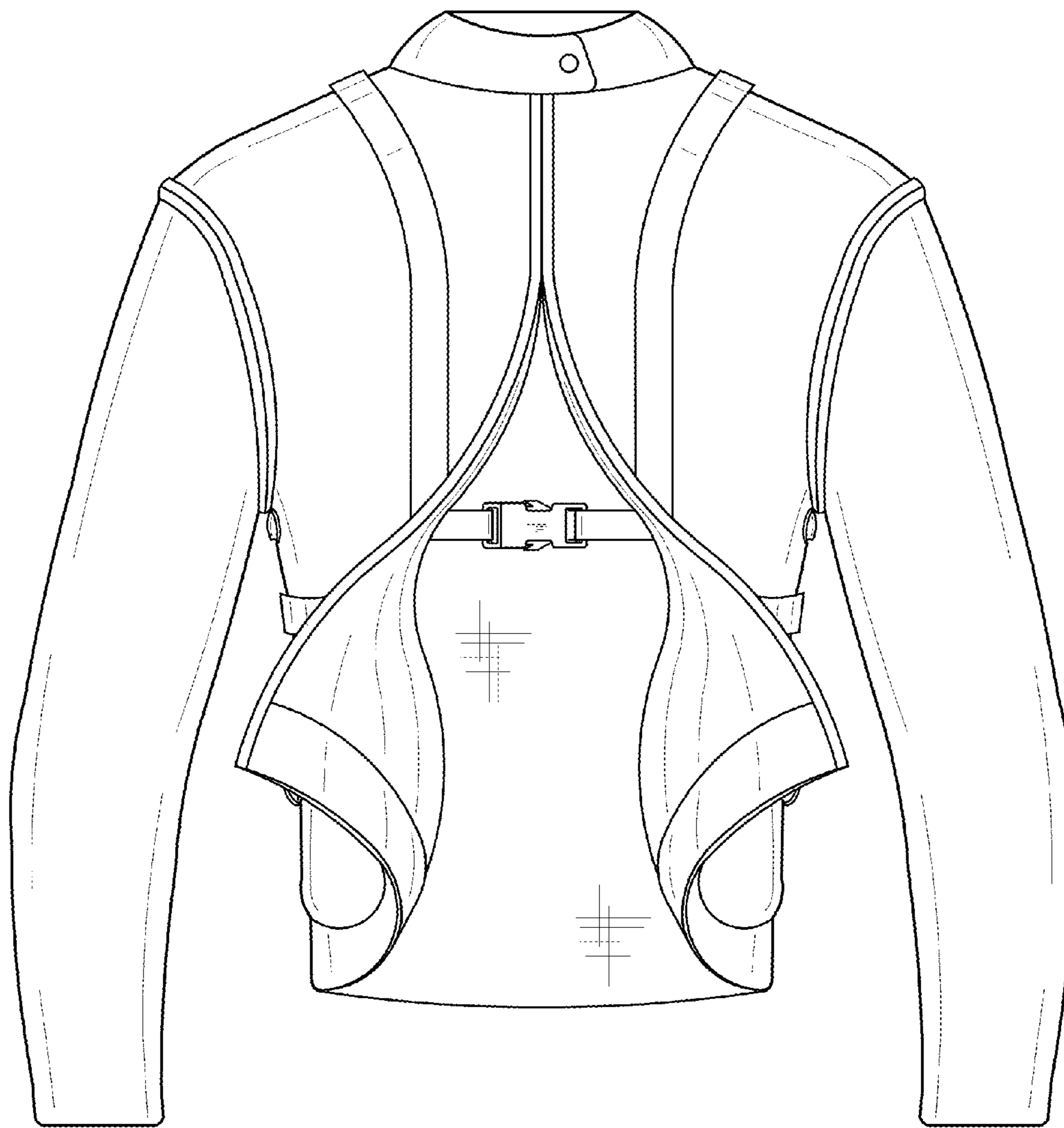


FIG. 7