



US00D707015S

(12) **United States Design Patent**
Spencer

(10) **Patent No.:** **US D707,015 S**
(45) **Date of Patent:** **** Jun. 10, 2014**

(54) **COLLECTION CANISTER**

(76) Inventor: **Wayne Spencer**, Tampa, FL (US)

(**) Term: **14 Years**

(21) Appl. No.: **29/416,066**

(22) Filed: **Mar. 17, 2012**

Related U.S. Application Data

(63) Continuation-in-part of application No. 12/328,776, filed on Dec. 5, 2008, now Pat. No. 8,177,643.

(51) **LOC (10) Cl.** **99-00**

(52) **U.S. Cl.**
USPC **D99/34**

(58) **Field of Classification Search**
CPC ... A47G 29/14; A47G 29/16; A47G 29/1203; A47G 29/12; A47G 29/1201; A47G 29/1207; A47G 29/1209; A45C 1/12; A45C 2001/12; A45C 2001/125; G07D 9/002; G07D 9/004; E05G 1/005; E05G 2700/00; E05G 2700/02; E05G 1/024; E05G 1/02; E05D 7/14; B63C 7/30; E05B 65/0075; G09F 5/02; G09F 5/04; G09F 3/18; G09F 3/201; G09F 1/10; G09F 1/12; G09F 9/06
USPC D99/28, 29, 33, 34, 35, 36, 43, 99; 232/1 R, 1 A, 1 B, 1 C, 1 D, 1 E, 2, 4 R, 232/44, 45, 47, 55, 64; 220/476, 478, 810; 109/50, 52, 66, 1 R, 1 V, 2, 59 R; 40/642.02, 661; 206/0.8, 0.81, 0.815, 206/0.82, 0.83, 0.84, 234, 39, 39.1; 446/8; D3/201, 272

See application file for complete search history.

(56) **References Cited**

U.S. PATENT DOCUMENTS

725,080	A *	4/1903	Henry	232/27
1,136,050	A *	4/1915	Razny	232/47
D78,598	S *	5/1929	Wells et al.	D99/34
D217,039	S *	3/1970	Corkery	D99/33
3,602,423	A *	8/1971	Corkery	232/17
D281,921	S *	12/1985	Losi	D99/28
D285,858	S *	9/1986	Ooki	D99/34
D292,354	S *	10/1987	Seltzer et al.	D6/440
7,185,802	B2	3/2007	Spencer		
D541,045	S *	4/2007	Pearl et al.	D3/291
7,246,738	B2 *	7/2007	Jonas	232/45
7,389,910	B2	6/2008	Spencer		
D586,975	S *	2/2009	Knox	D99/28

* cited by examiner

Primary Examiner — Elizabeth J Oswecki

(74) *Attorney, Agent, or Firm* — Edward P. Dutkiewicz

(57) **CLAIM**

The ornamental design for a collection canister, as shown and described.

DESCRIPTION

FIG. 1 is a front elevational view of the collection canister showing my new design;
FIG. 2 is a rear elevational view thereof;
FIG. 3 is a right side elevational view thereof;
FIG. 4 is a left side elevational view thereof;
FIG. 5 is a top plan view thereof; and,
FIG. 6 is a bottom plan view thereof.
The broken lines shown in the drawings represent portions of the collection canister that form no part of the claimed design. The cord is shown broken away in FIGS. 2-6 to indicate that no particular length is claimed.

1 Claim, 3 Drawing Sheets

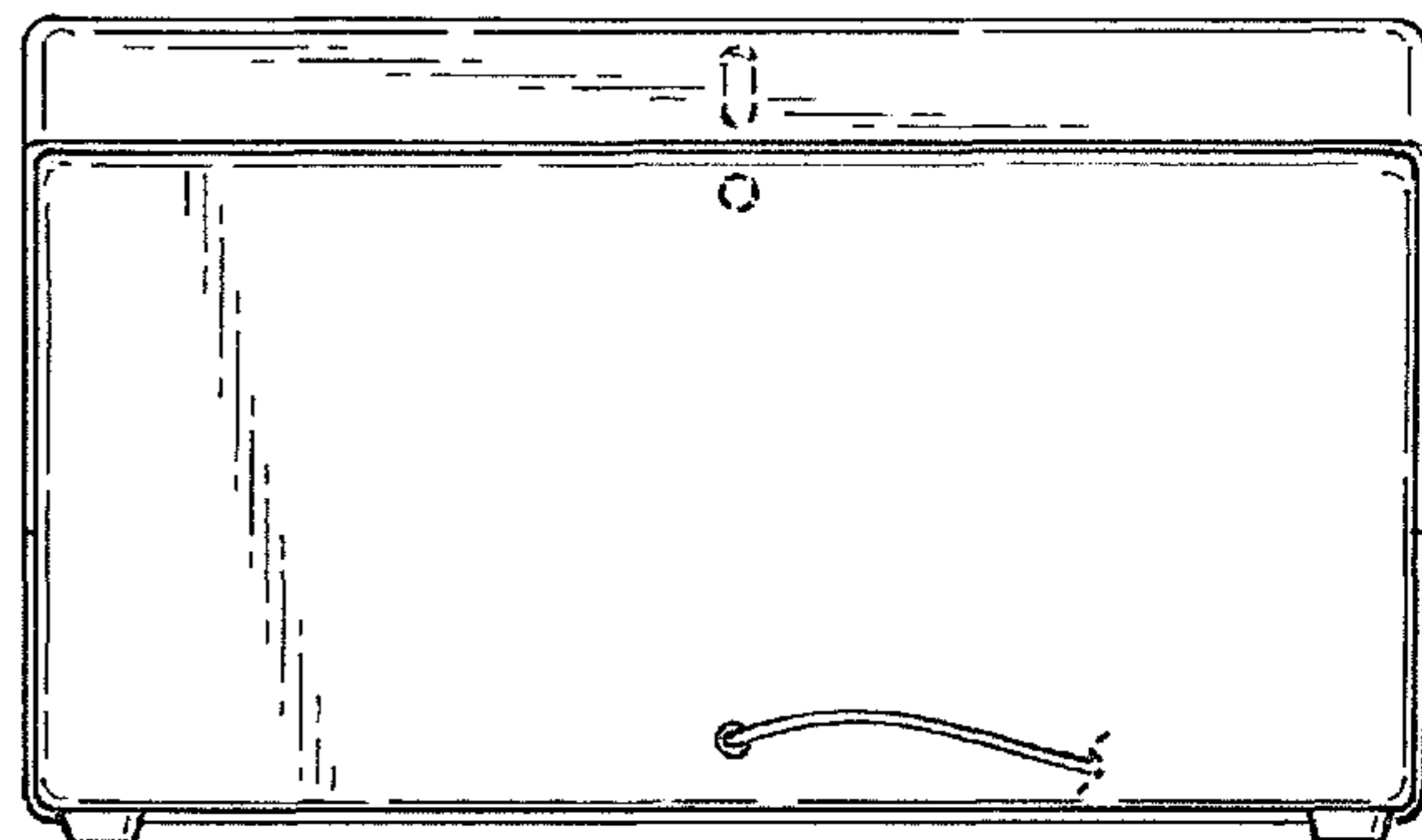
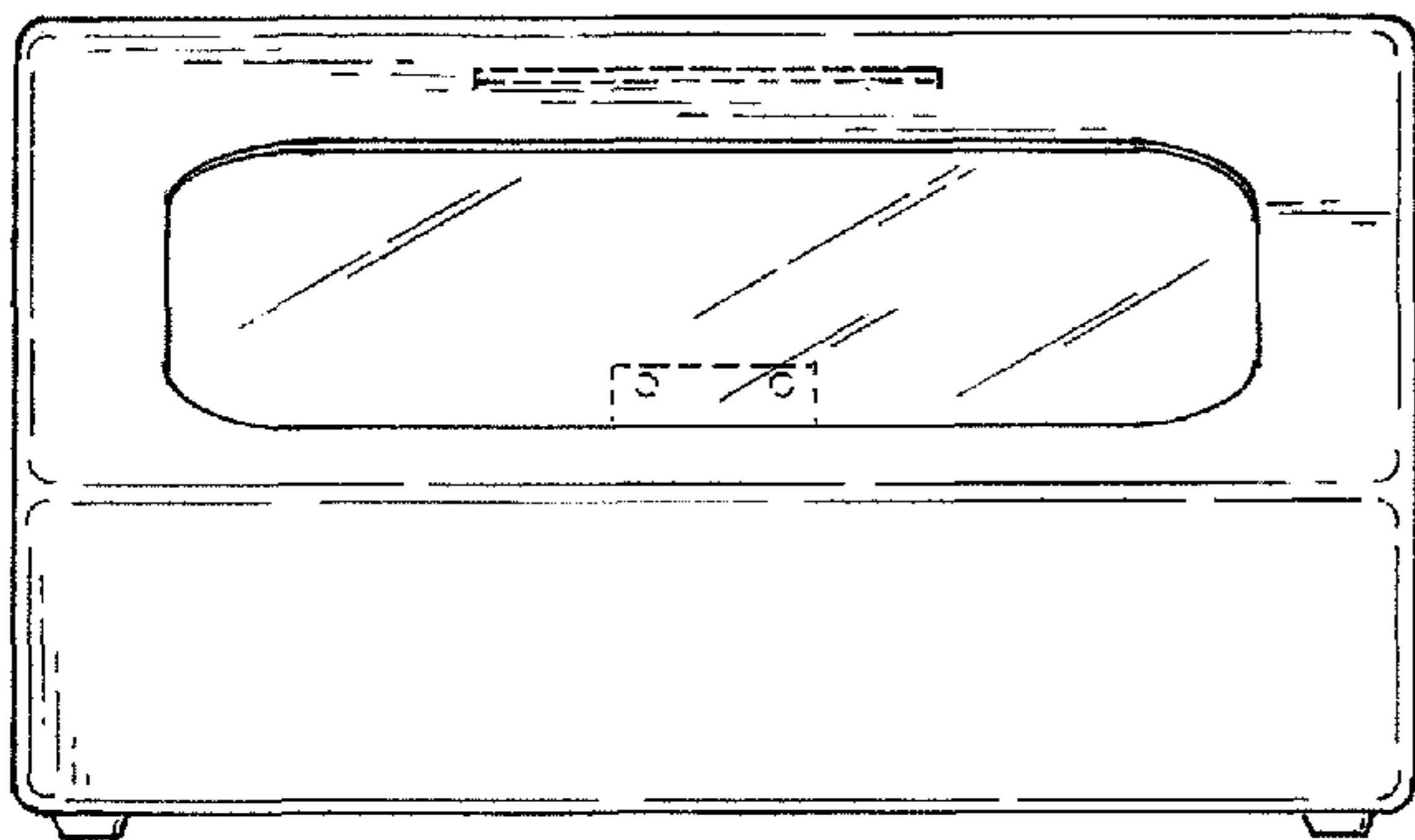


FIG. 1

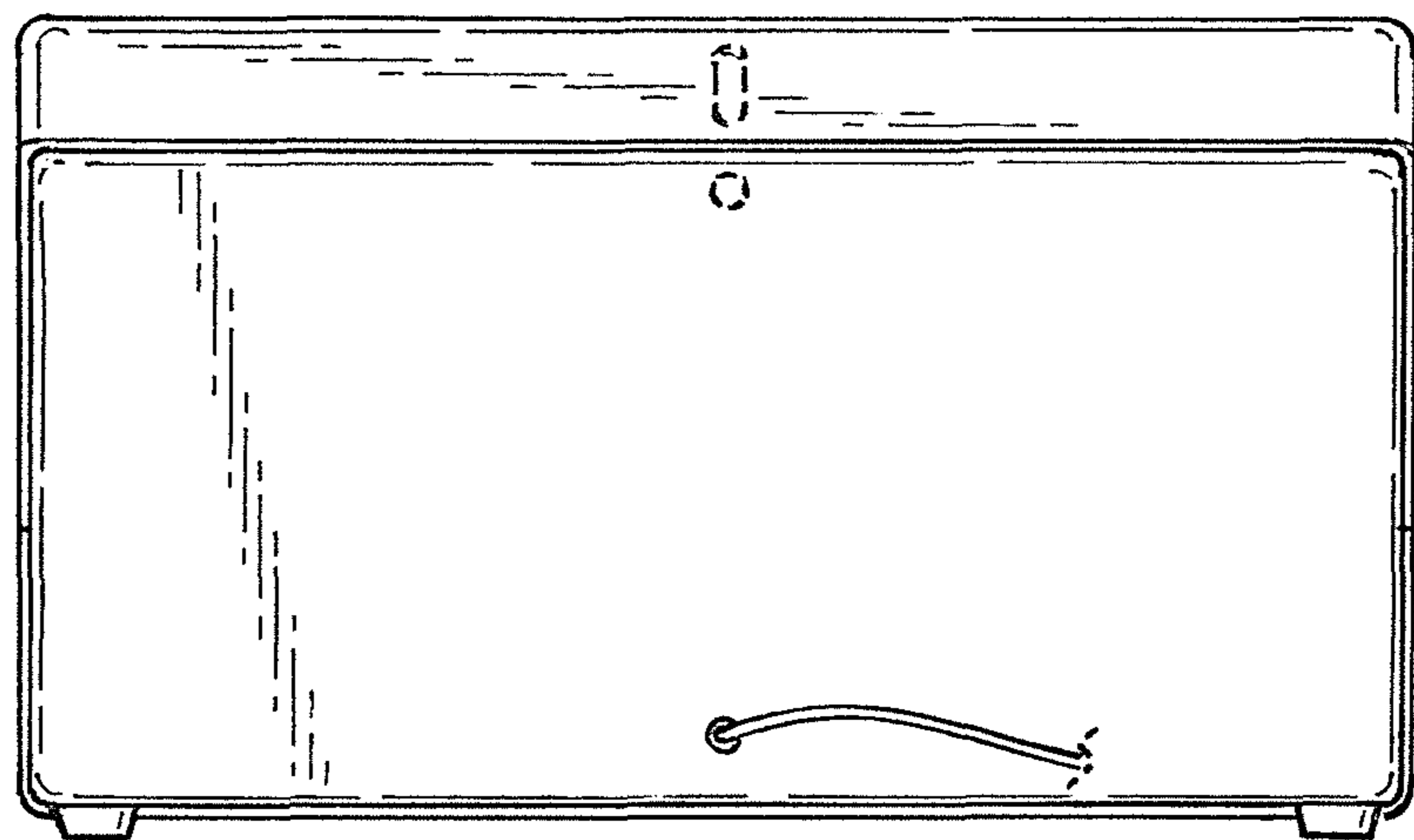
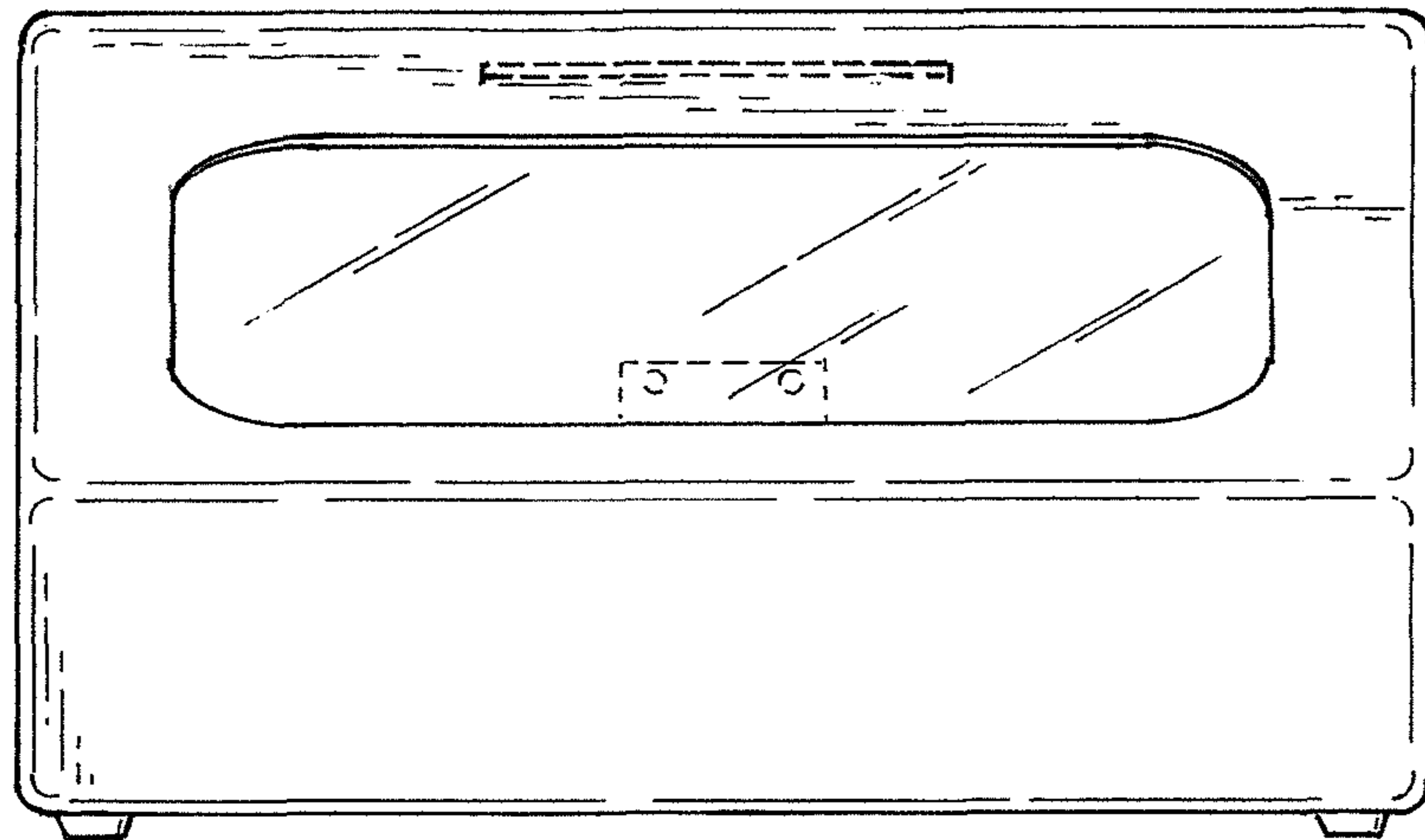


FIG. 2

FIG. 3

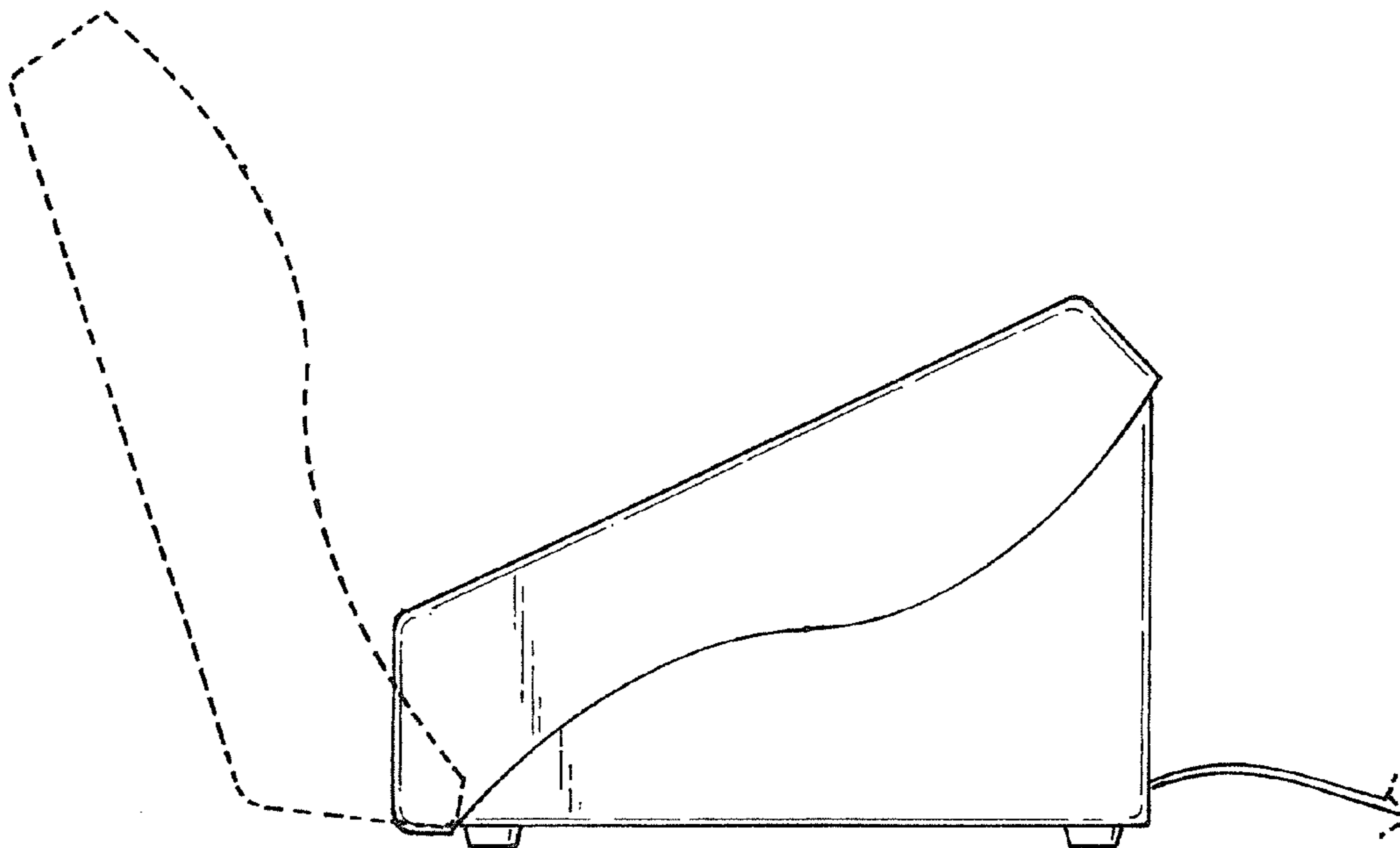
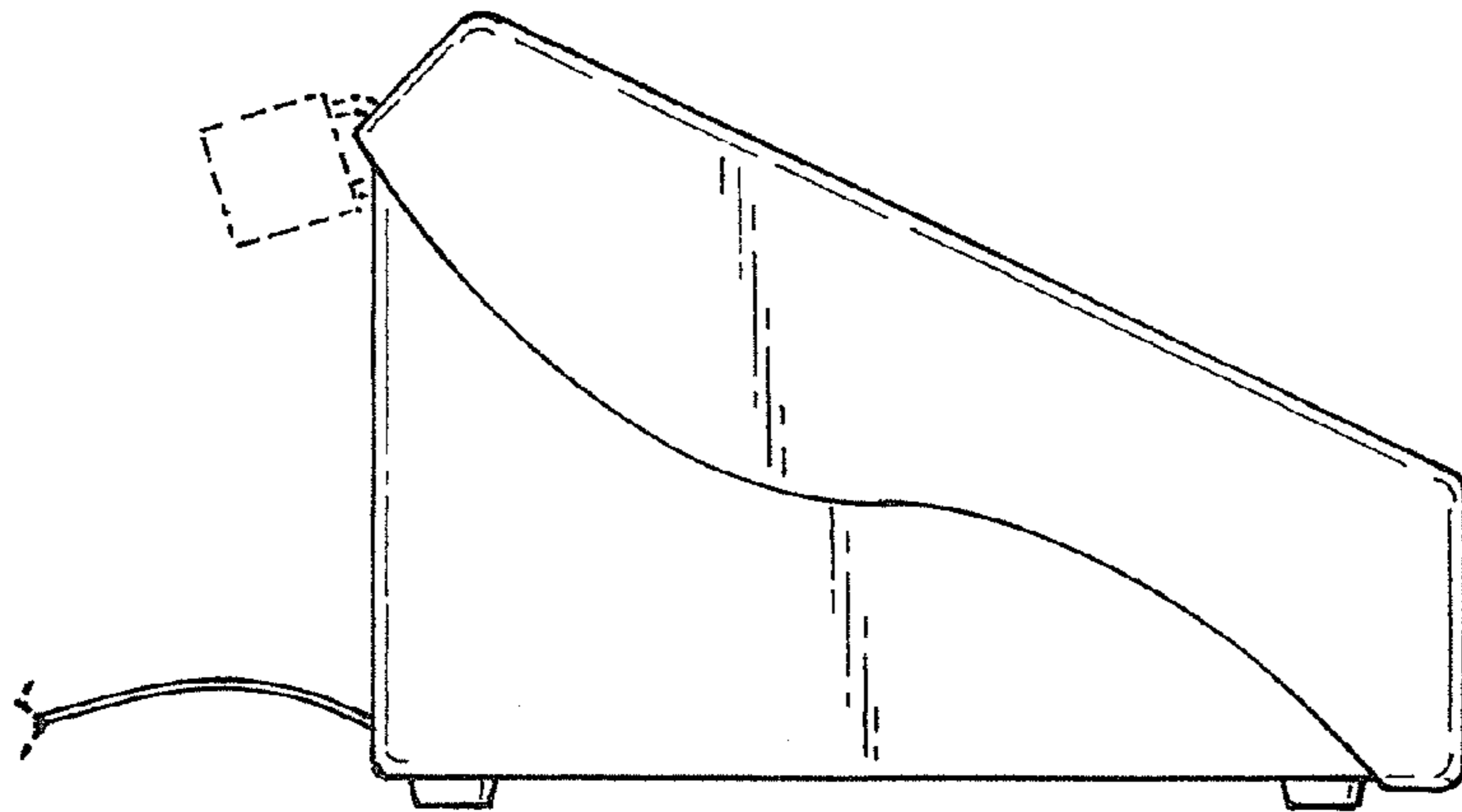


FIG. 4

FIG. 5

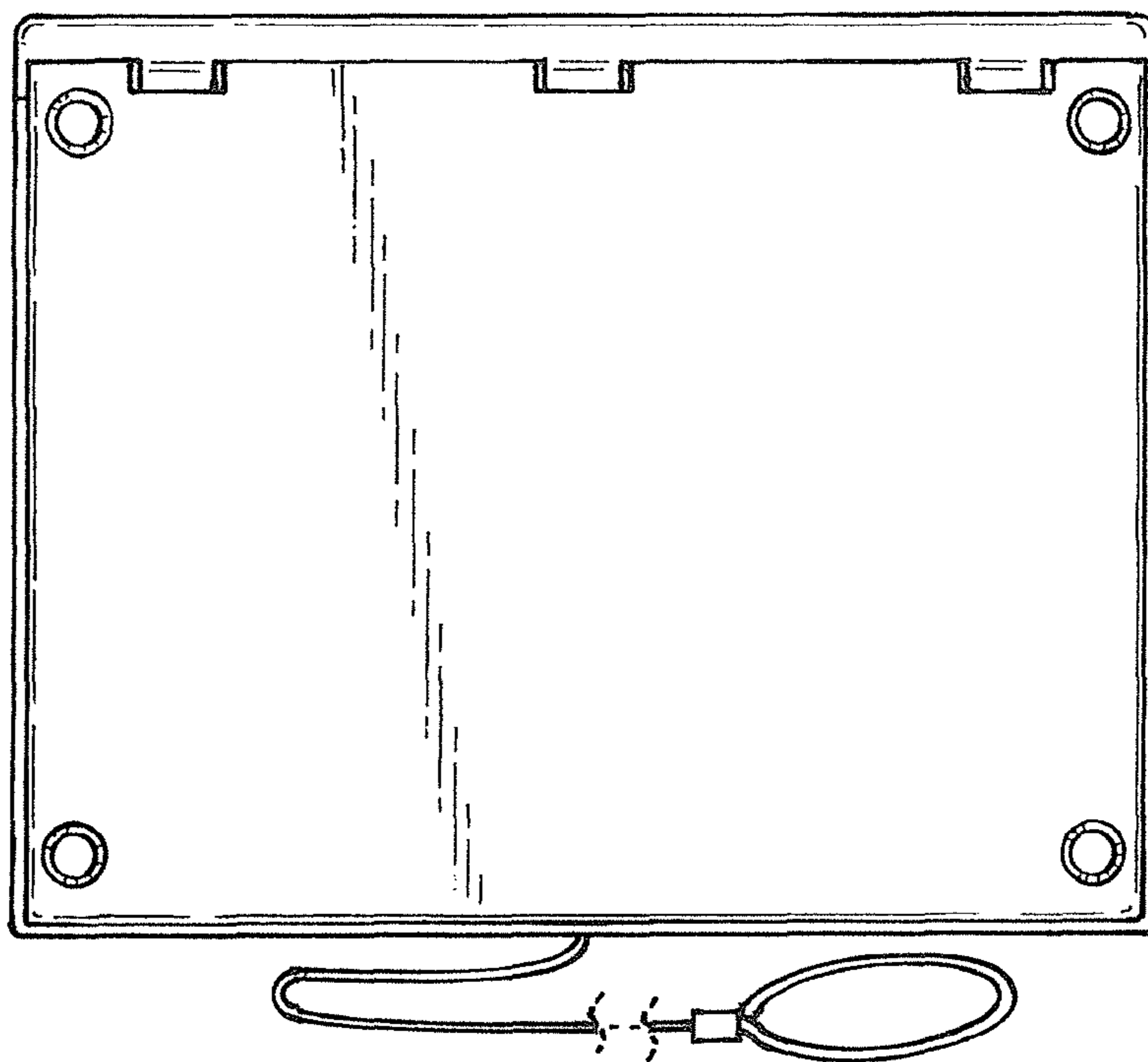
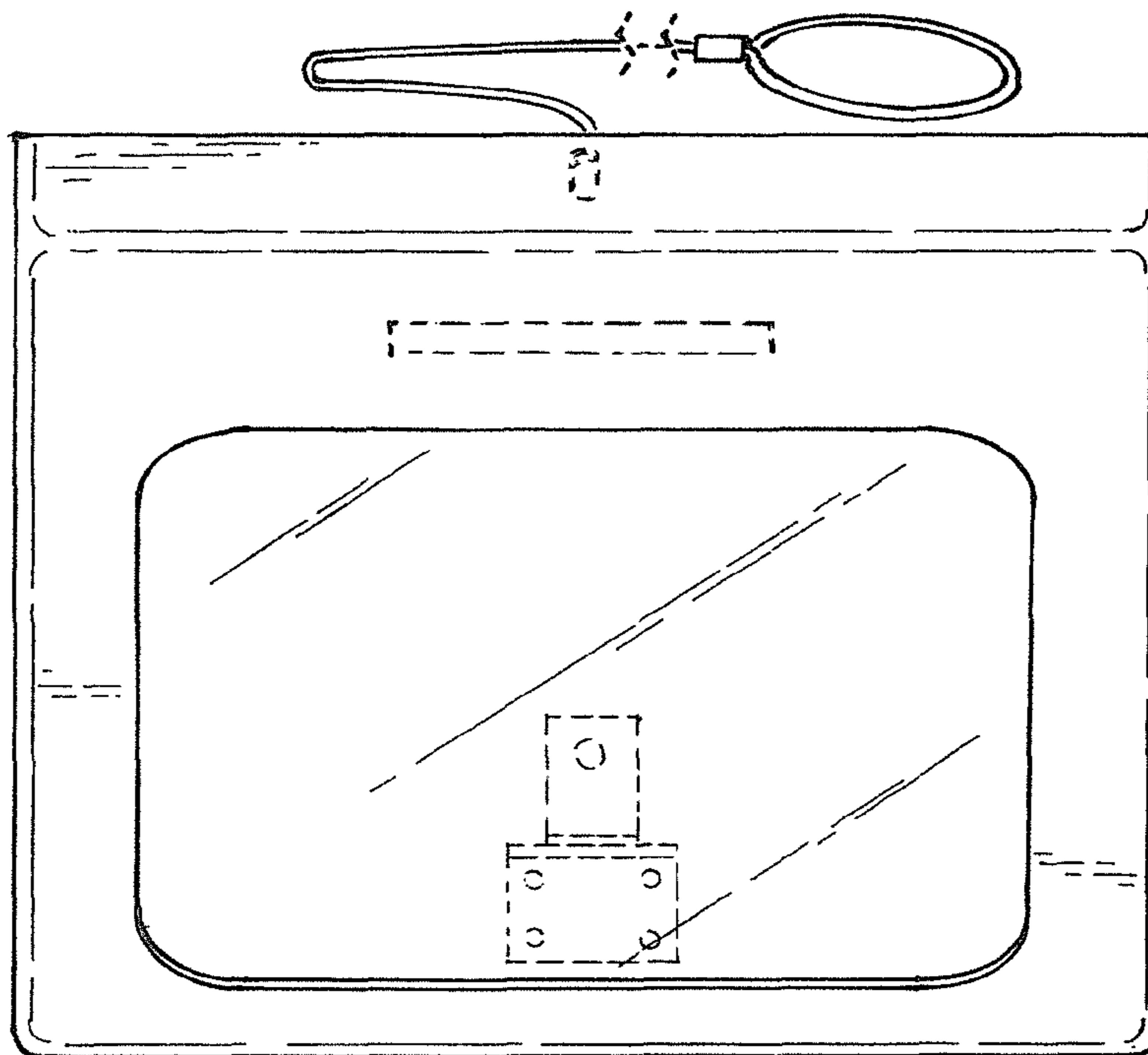


FIG. 6