

US00D707014S

(12) **United States Design Patent**  
**Pérez Piña**

(10) **Patent No.:** **US D707,014 S**  
(45) **Date of Patent:** **\*\* Jun. 10, 2014**

(54) **AUTOMATIC TELLER MACHINE**

(56)

**References Cited**

(71) Applicant: **Banco Bilbao Vizcaya Argentaria, S.A.**, Bilbao (ES)  
(72) Inventor: **Julio Edgardo Pérez Piña**, Madrid (ES)  
(73) Assignee: **Banco Bilbao Vizcaya Argentaria S.A.**, Bilbao (Vizcaya) (ES)  
(\*\*) Term: **14 Years**  
(21) Appl. No.: **29/444,478**  
(22) Filed: **Jan. 31, 2013**  
(30) **Foreign Application Priority Data**

U.S. PATENT DOCUMENTS

D283,746 S *	5/1986	Kobayashi	.....	D99/28
D377,170 S *	1/1997	Wilson	.....	D14/130
D388,229 S *	12/1997	Couch	.....	D99/28
D505,765 S *	5/2005	Swaine et al.	.....	D99/28
D558,425 S *	12/2007	Dias	.....	D99/28
D603,125 S *	10/2009	Lara Bartolome	.....	D99/28
D615,274 S *	5/2010	Kim et al.	.....	D99/28
D625,485 S *	10/2010	Lee et al.	.....	D99/28
7,926,712 B2 *	4/2011	Schlabach et al.	.....	235/379
7,959,072 B1 *	6/2011	Jenkins et al.	.....	235/379
D672,525 S *	12/2012	Lee et al.	.....	D99/28
D678,652 S *	3/2013	Budde et al.	.....	D99/28
D678,653 S *	3/2013	Budde et al.	.....	D99/28

\* cited by examiner

*Primary Examiner* — Elizabeth J Oswecki  
(74) *Attorney, Agent, or Firm* — Greenblum & Bernstein, P.L.C.

Aug. 3, 2012 (EM) ..... 002083238-0001

(51) **LOC (10) Cl.** ..... **20-01**

(52) **U.S. Cl.**  
USPC ..... **D99/28**

(58) **Field of Classification Search**  
USPC ..... D99/28, 34, 35, 36, 43, 99;  
D14/300–303, 900–902; D18/3.1–3.3,  
D18/4.1–4.6, 12.1–12.3; 206/0.8, 0.81,  
206/0.815, 0.82, 0.83, 0.84; 101/66;  
109/1 R, 1 V, 2, 23, 24.1, 25, 58, 58.5,  
109/66; 446/8–13; 705/16, 17, 18, 42, 43,  
705/44, 45

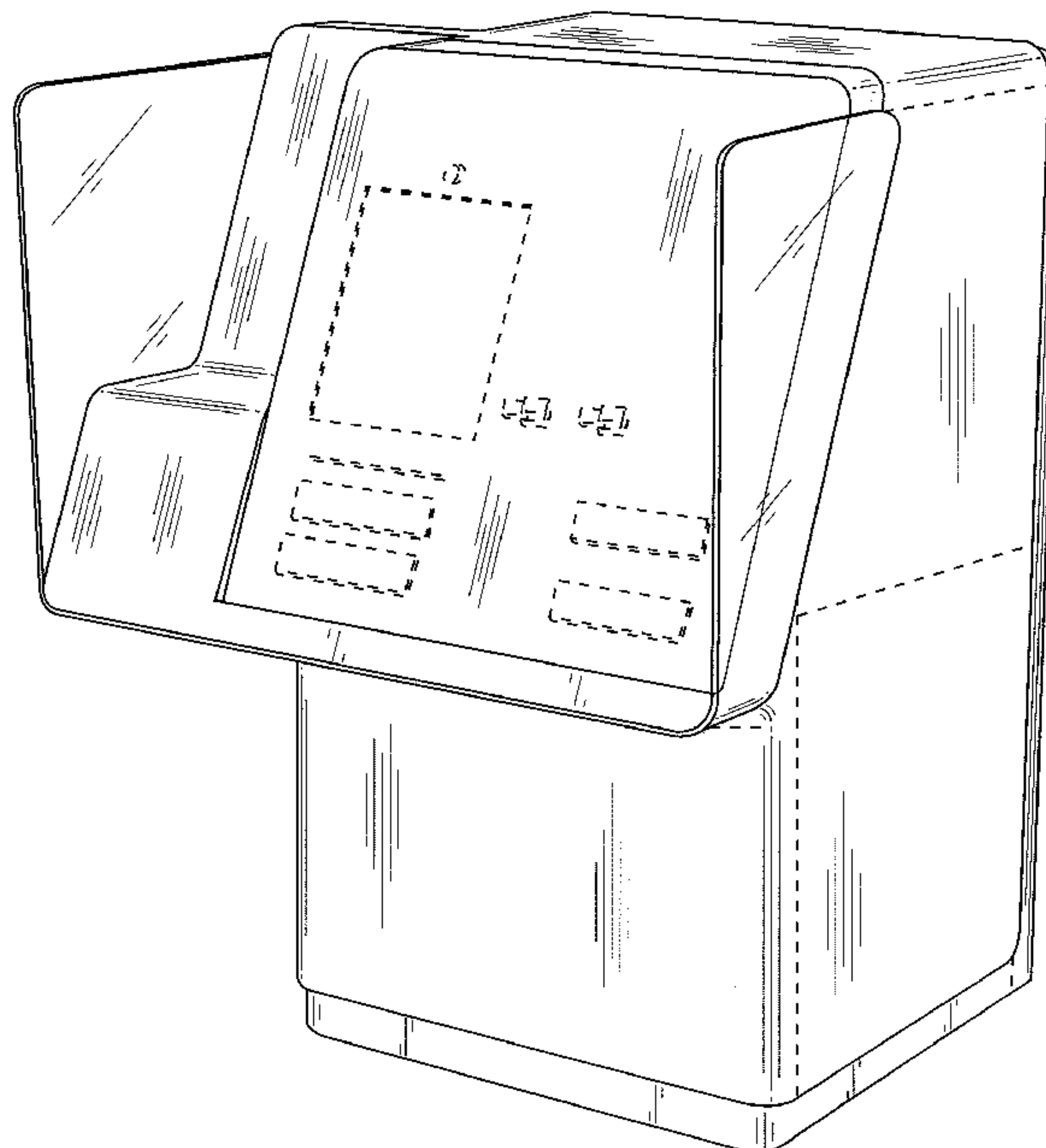
See application file for complete search history.

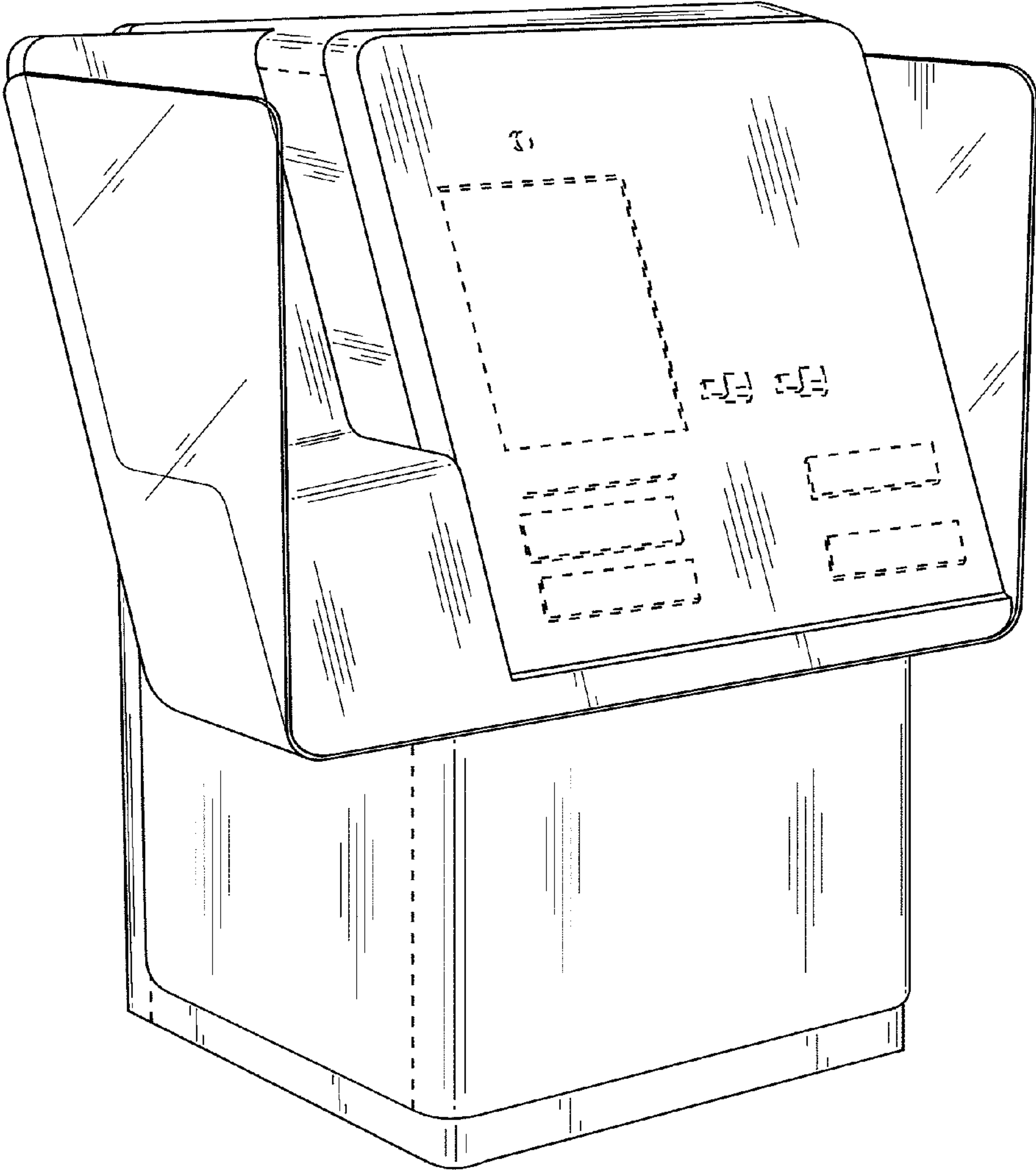
(57) **CLAIM**  
The ornamental design for an automatic teller machine, as shown and described.

**DESCRIPTION**

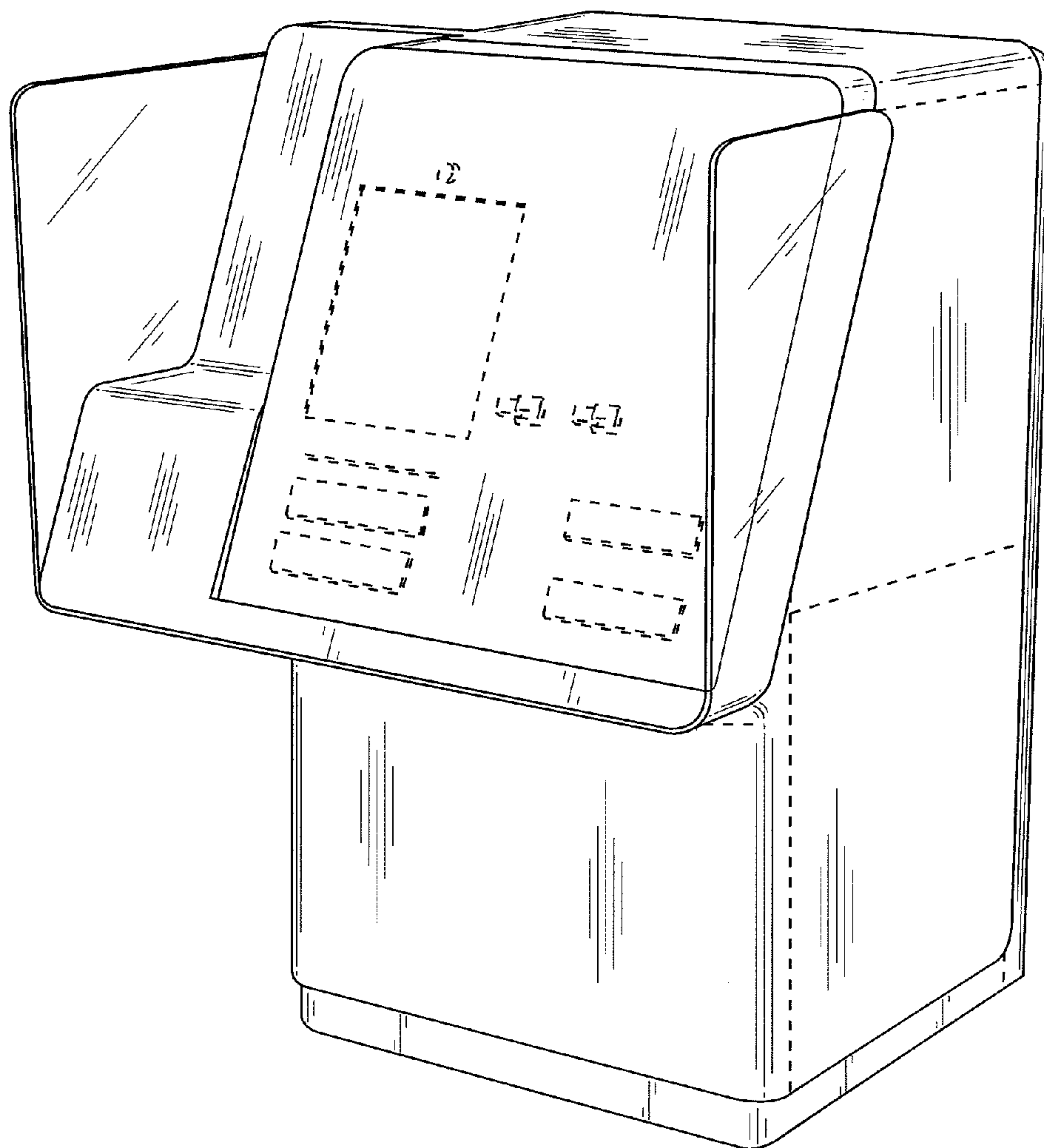
FIG. 1 is a front, left, top perspective view of an automatic teller machine showing my new design; FIG. 2 is a front, right, top perspective view thereof; FIG. 3 is a left side elevation view thereof; FIG. 4 is a rear, left, top perspective view thereof; and, FIG. 5 is a front elevation view thereof. All sides and all surfaces not shown form no part of the claimed design. The broken lines shown in the drawings represent portions of the automatic teller machine form no part of the claimed design.

**1 Claim, 5 Drawing Sheets**

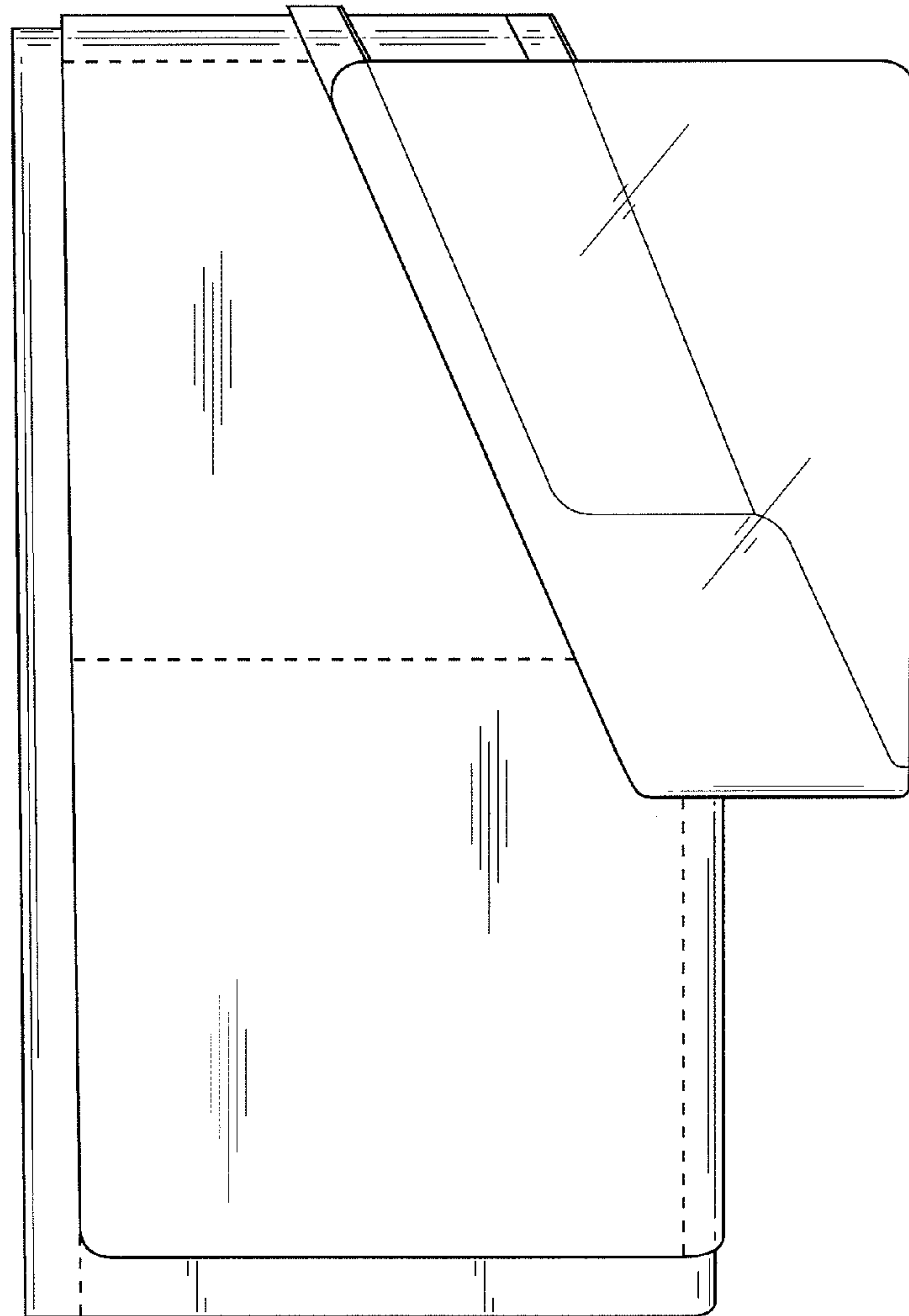




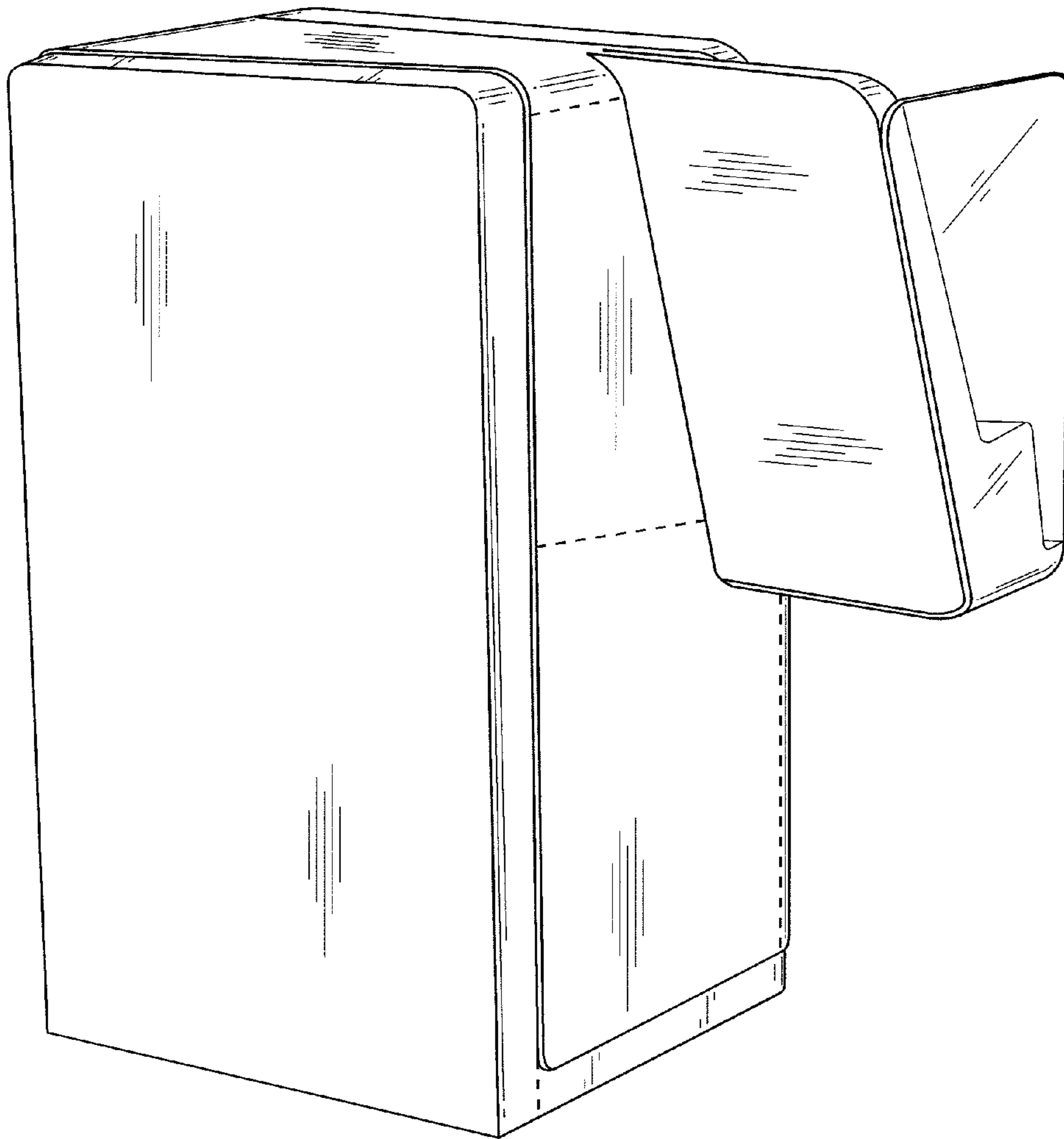
**FIG. 1**



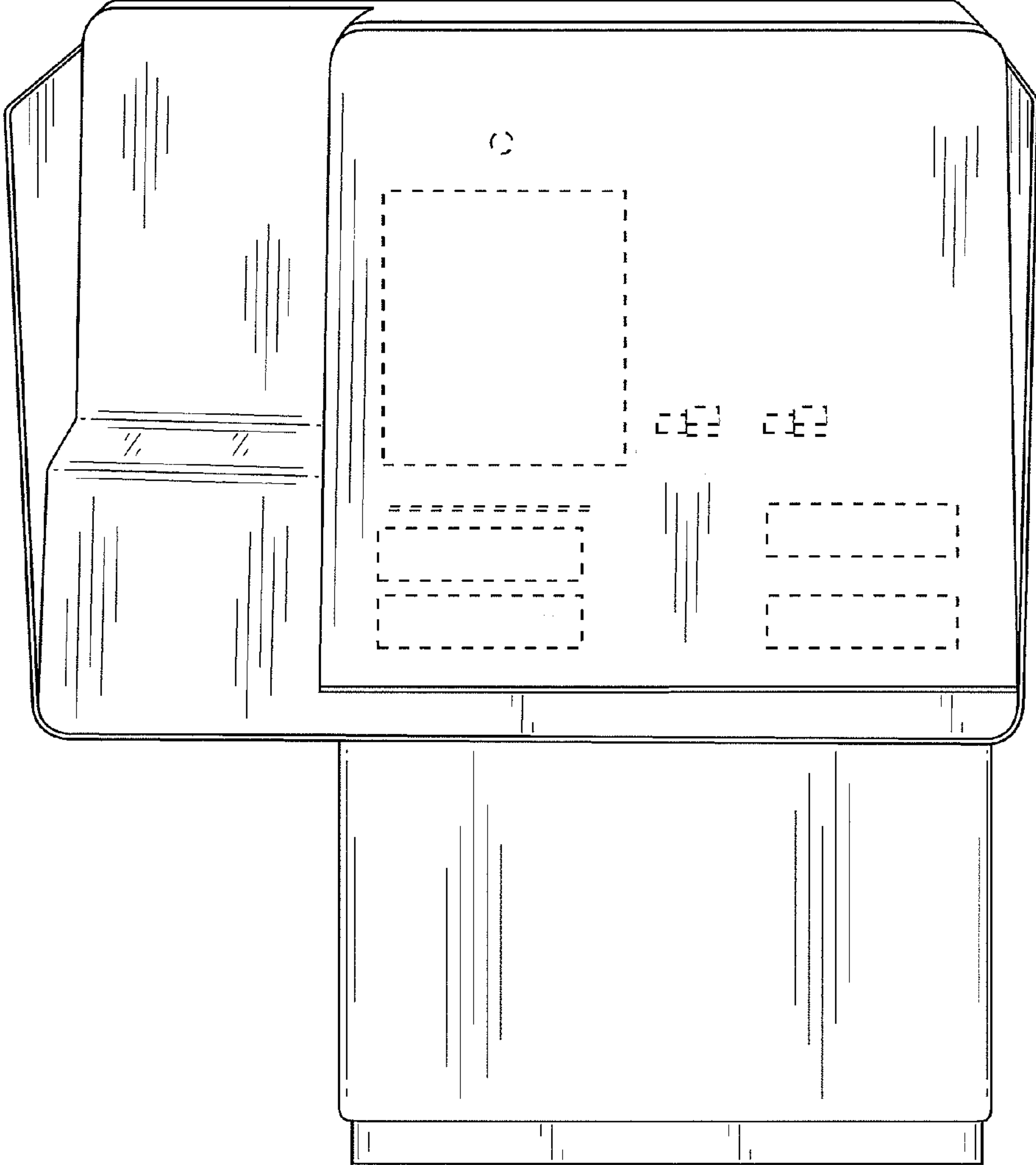
**FIG. 2**



**FIG. 3**



**FIG. 4**



**FIG. 5**