



US00D707013S

(12) **United States Design Patent**  
**Pérez Piná**

(10) **Patent No.:** **US D707,013 S**  
(45) **Date of Patent:** **\*\* Jun. 10, 2014**

(54) **AUTOMATIC TELLER MACHINE**

(56) **References Cited**

(71) Applicant: **Banco Bilbao Vizcaya Argentaria, S.A., Bilbao (ES)**  
(72) Inventor: **Julio Edgardo Pérez Piná, Madrid (ES)**  
(73) Assignee: **Banco Bilbao Vizcaya Argentaria, S.A., Bilbao (Vizcaya) (ES)**  
(\*\*) Term: **14 Years**  
(21) Appl. No.: **29/440,747**  
(22) Filed: **Dec. 27, 2012**  
(30) **Foreign Application Priority Data**  
Jun. 29, 2012 (EM) ..... 002065904-0002

U.S. PATENT DOCUMENTS

D283,746 S *	5/1986	Kobayashi .....	D99/28
D377,170 S *	1/1997	Wilson .....	D14/130
D388,229 S *	12/1997	Couch .....	D99/28
D505,765 S *	5/2005	Swaine et al. ....	D99/28
D558,425 S *	12/2007	Dias .....	D99/28
D603,125 S *	10/2009	Lara Bartolome .....	D99/28
D615,274 S *	5/2010	Kim et al. ....	D99/28
D625,485 S *	10/2010	Lee et al. ....	D99/28
7,926,712 B2 *	4/2011	Schlabach et al. ....	235/379
7,959,072 B1 *	6/2011	Jenkins et al. ....	235/379
D672,525 S *	12/2012	Lee et al. ....	D99/28
D678,652 S *	3/2013	Budde et al. ....	D99/28
D678,653 S *	3/2013	Budde et al. ....	D99/28

\* cited by examiner

*Primary Examiner* — Elizabeth J Oswecki  
(74) *Attorney, Agent, or Firm* — Greenblum & Bernstein, P.L.C.

(51) **LOC (10) Cl.** ..... **20-01**  
(52) **U.S. Cl.**  
USPC ..... **D99/28**

(57) **CLAIM**  
The ornamental design for automatic teller machine, as shown and described.

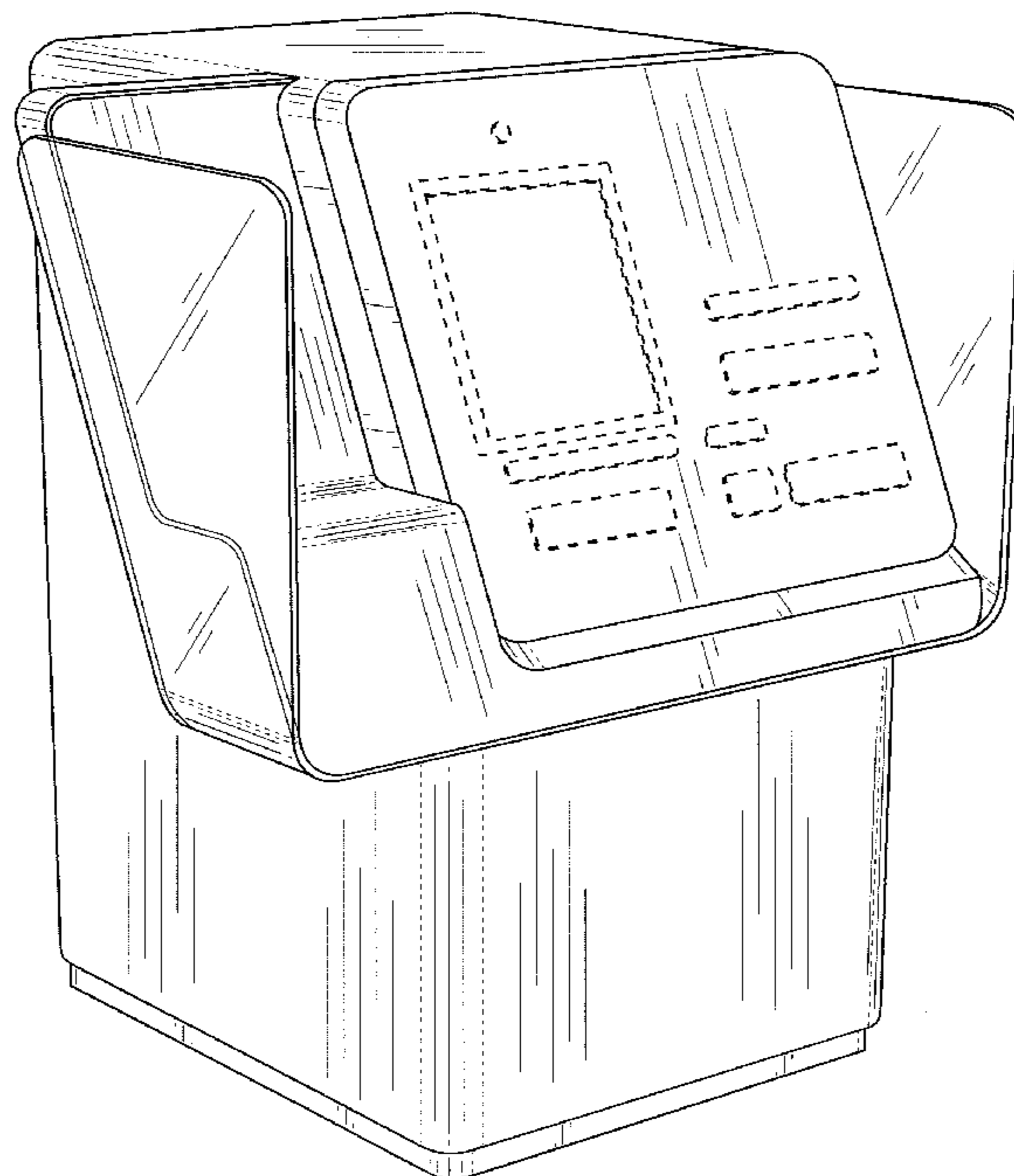
(58) **Field of Classification Search**  
USPC ..... D99/28, 34, 35, 36, 43, 99;  
D14/300–303, 900–902; D18/3.1–3.3,  
D18/4.1–4.6, 12.1–12.3; 206/0.8, 0.81,  
206/0.815, 0.82, 0.83, 0.84; 101/66;  
109/1 R, 1 V, 2, 23, 24.1, 25, 58, 58.5,  
109/66; 446/8–13; 705/16, 17, 18, 42, 43,  
705/44, 45

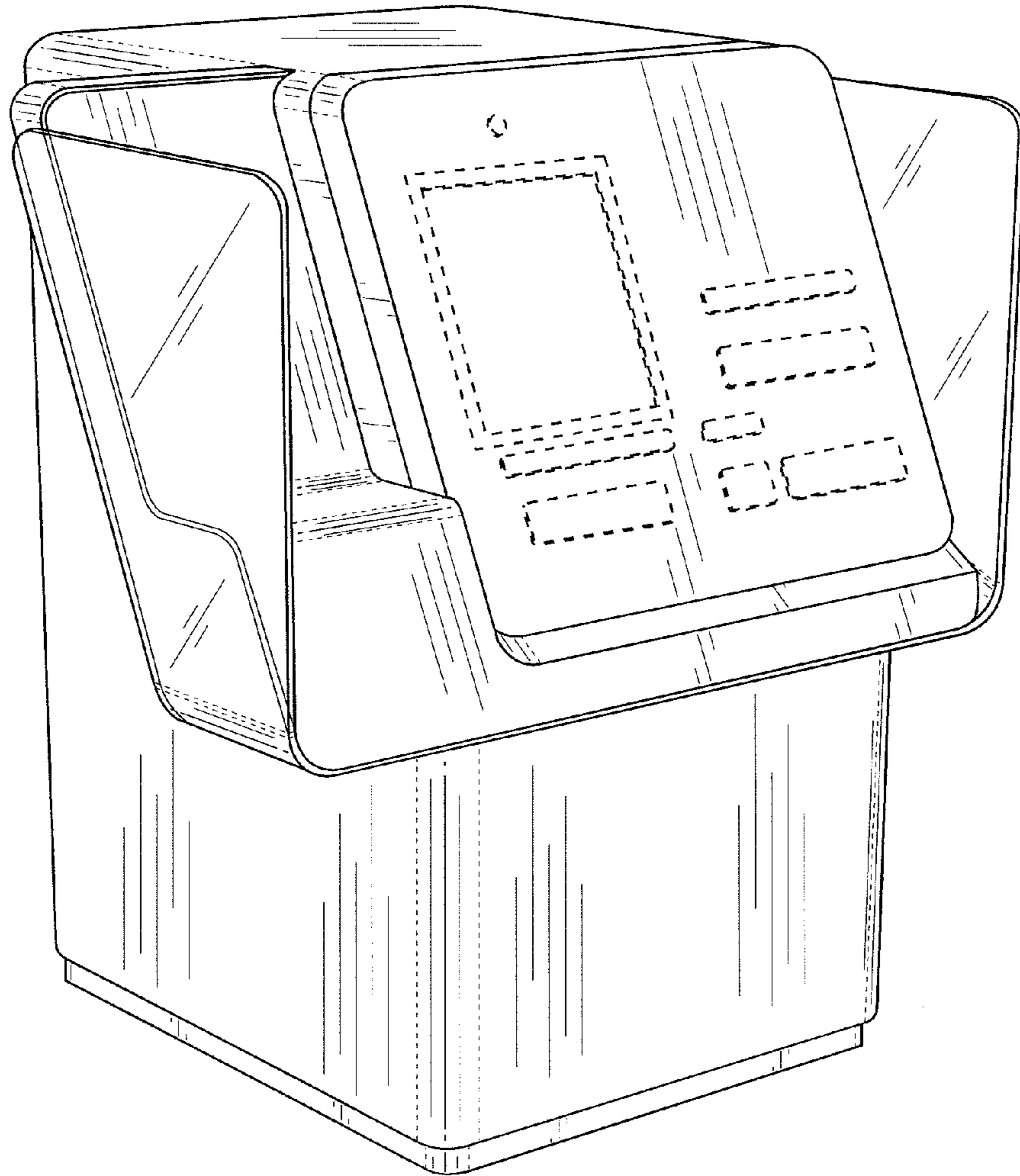
**DESCRIPTION**

FIG. 1 is a front, left, top perspective view of an automatic teller machine showing my new design;  
FIG. 2 is a rear, right, top perspective view thereof;  
FIG. 3 is a front, right, top perspective view thereof;  
FIG. 4 is a rear, left, top perspective view thereof;  
FIG. 5 is another front, right, top perspective view thereof;  
FIG. 6 is another front, left, top perspective view thereof; and,  
FIG. 7 is a front, right, and bottom perspective view thereof.  
The broken lines shown in the drawings represent portions of the automatic teller machine form no part of the claimed design.

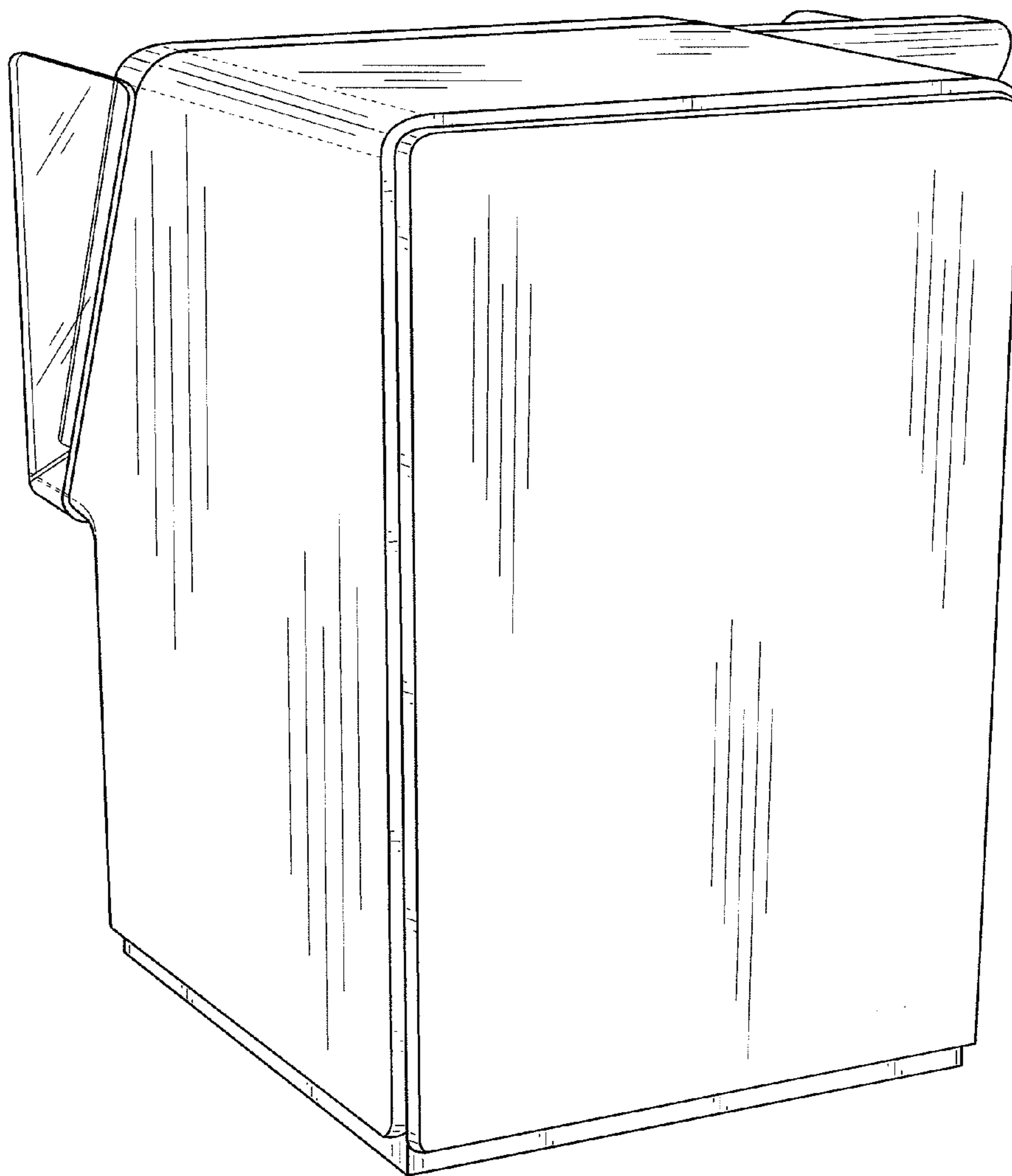
See application file for complete search history.

**1 Claim, 7 Drawing Sheets**

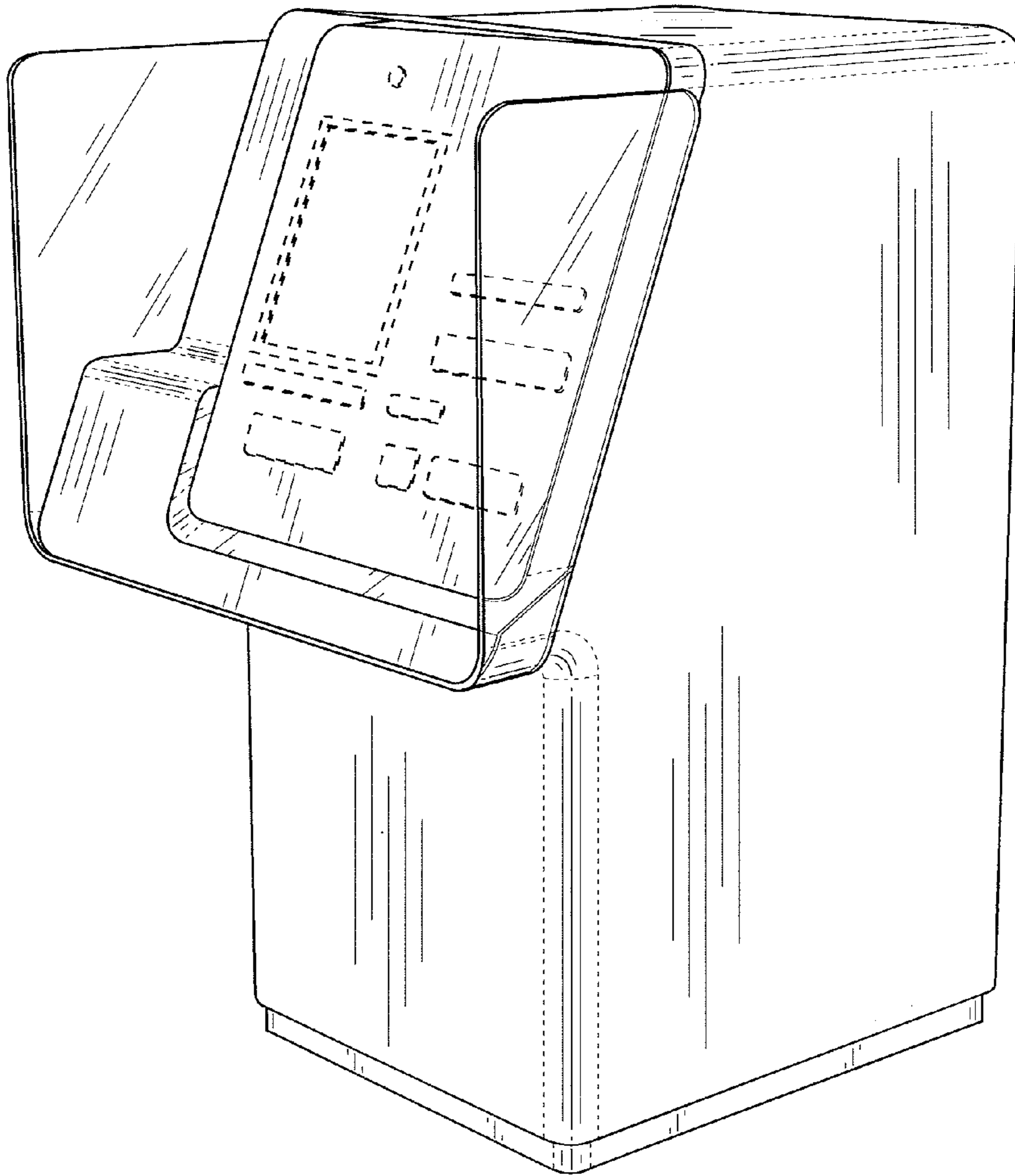




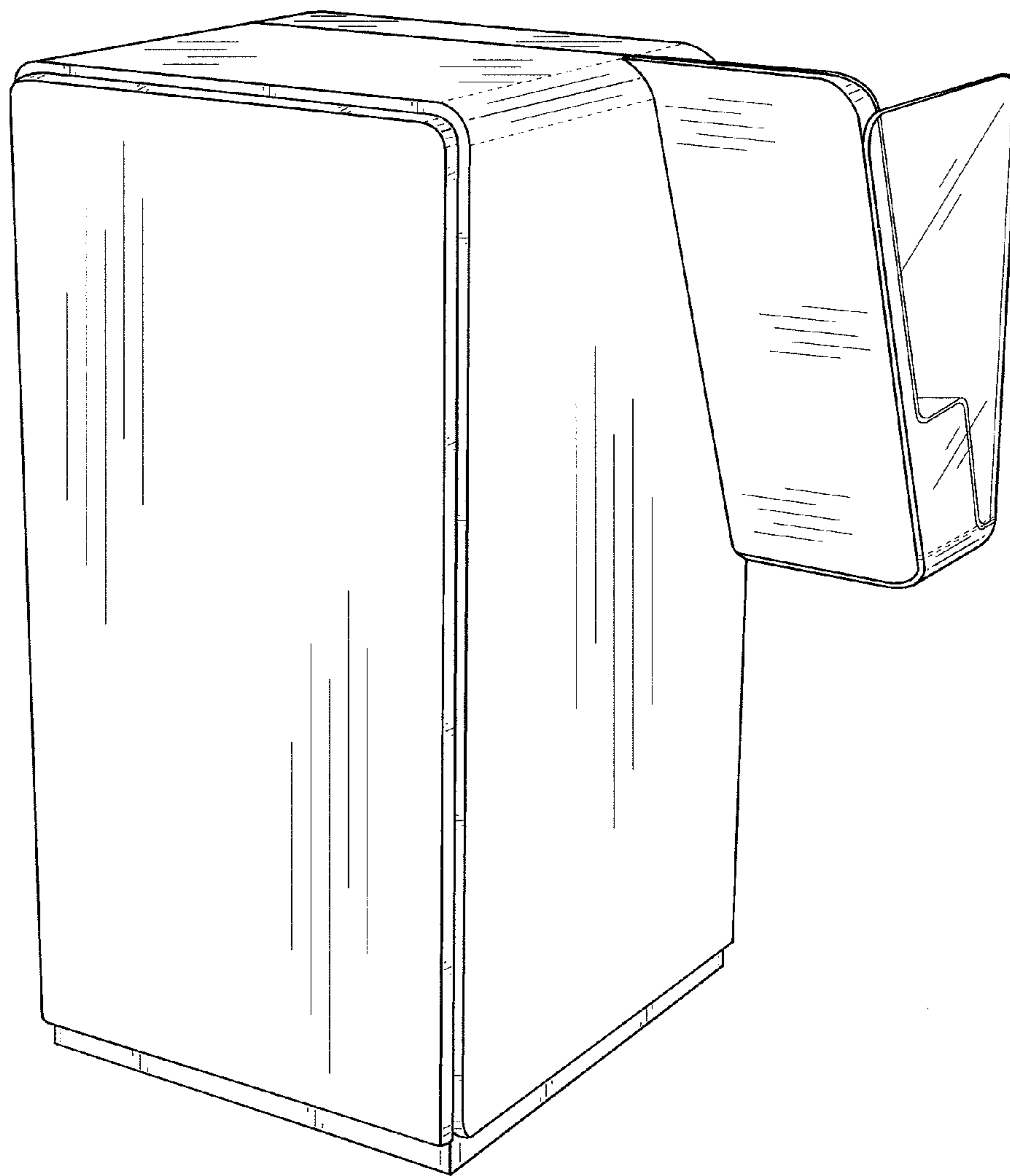
**FIG. 1**



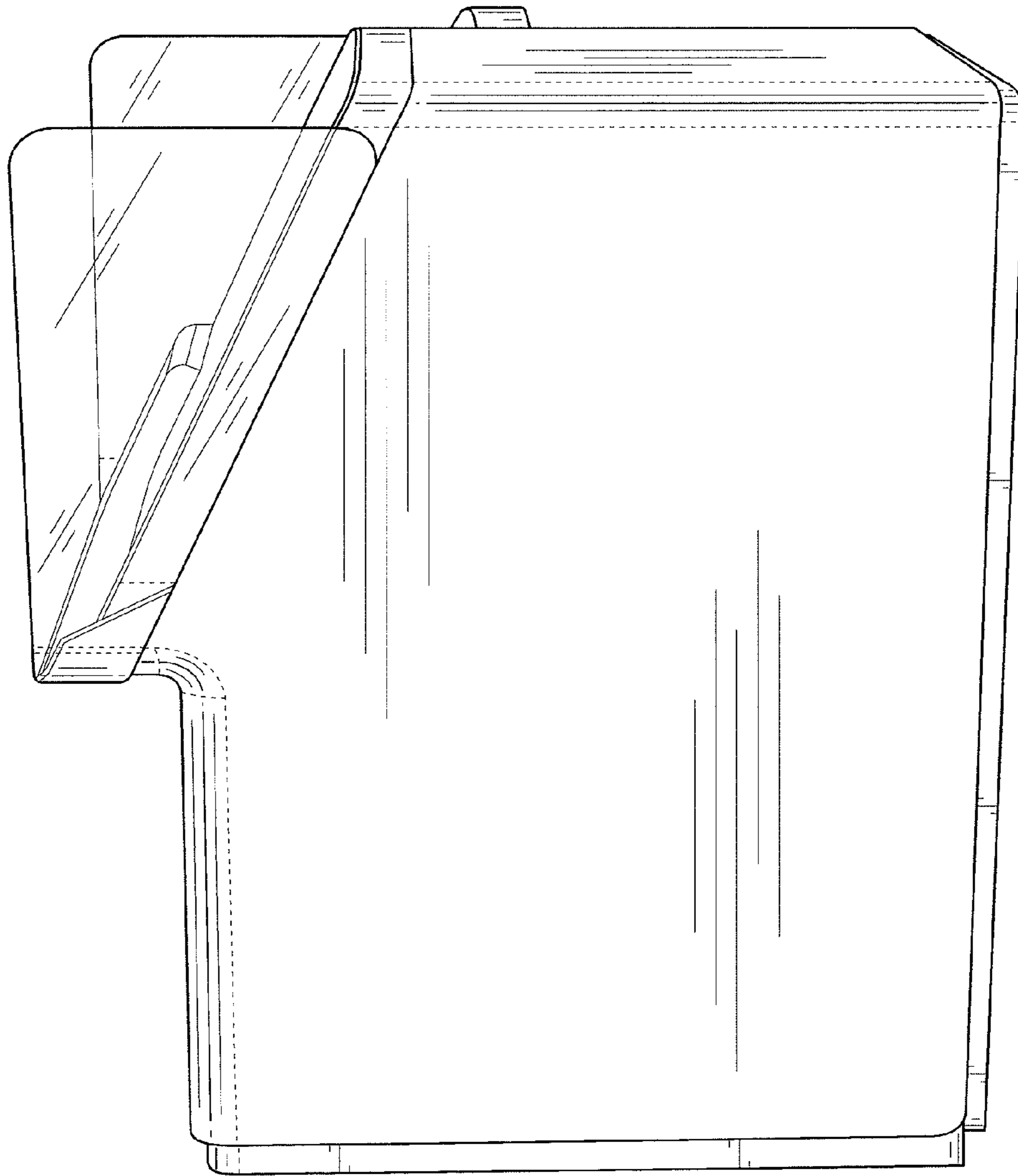
**FIG. 2**



**FIG. 3**

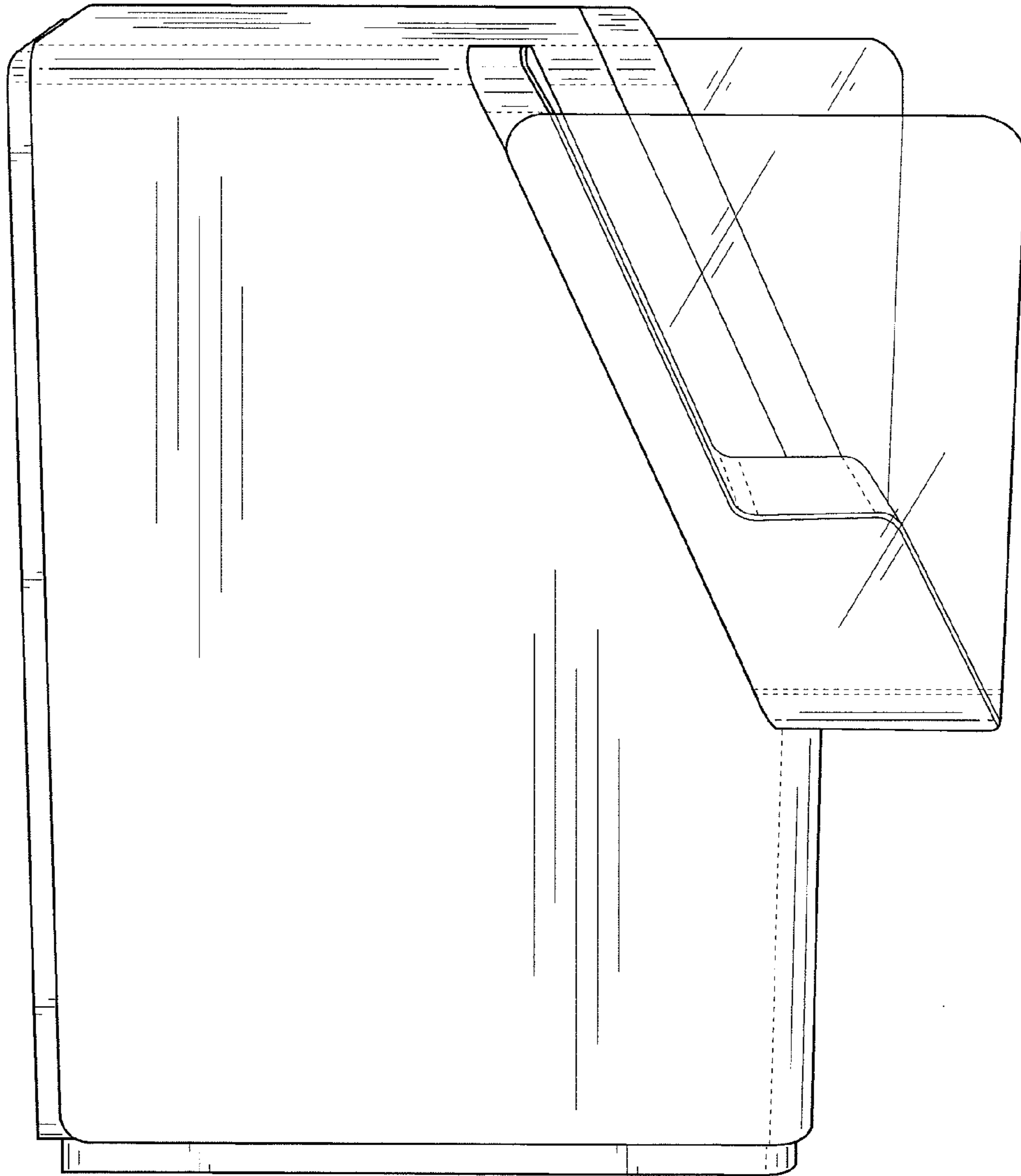


**FIG. 4**

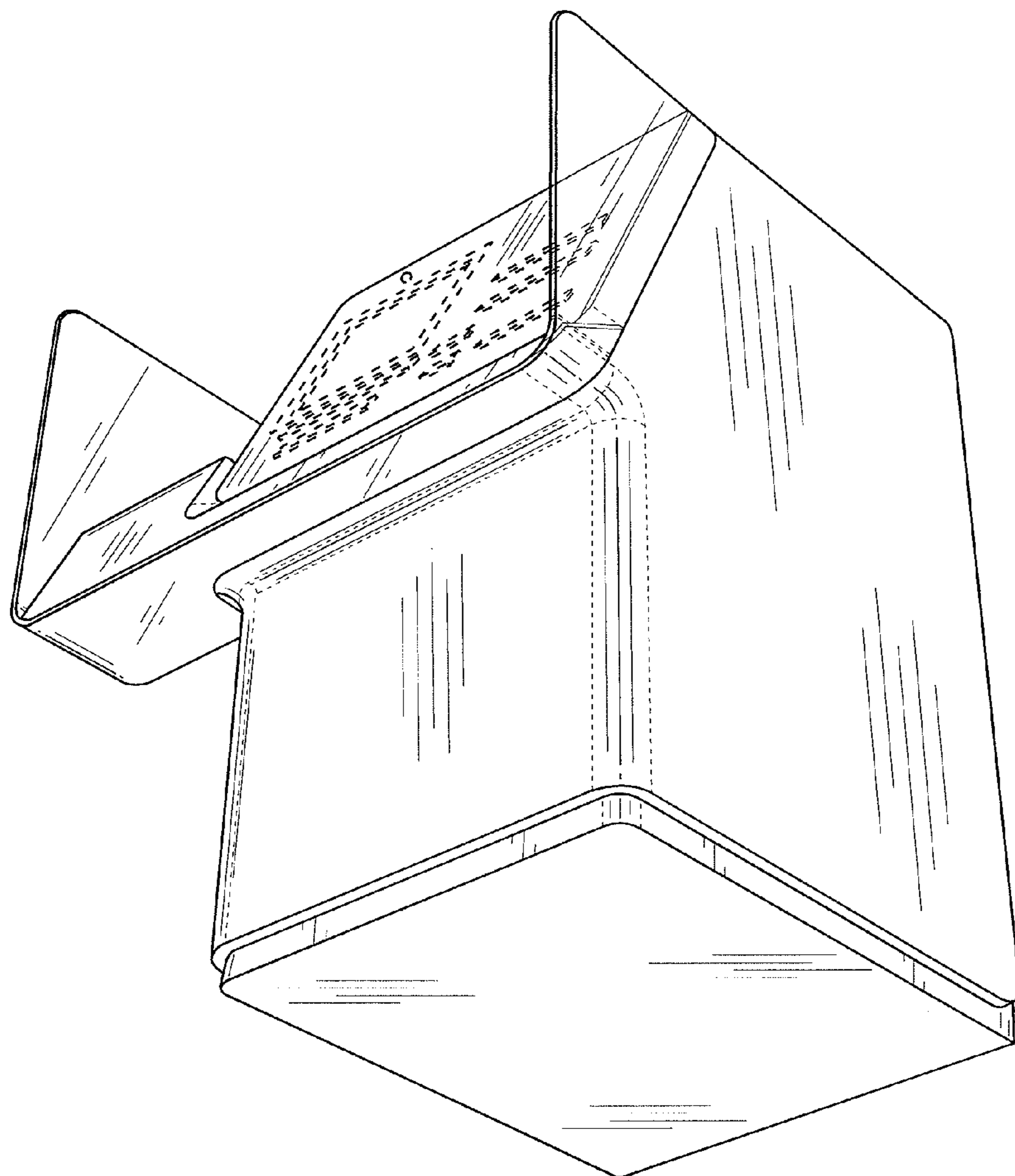


**FIG. 5**





**FIG. 6**



**FIG. 7**