



US00D707012S

(12) **United States Design Patent**
Swaine et al.

(10) **Patent No.:** **US D707,012 S**
(45) **Date of Patent:** **** *Jun. 10, 2014**

- (54) **SELF-SERVICE TERMINAL**
- (75) Inventors: **Stephen W. Swaine**, Dunkeld (GB); **Ian M. Denny**, Perthshire (GB)
- (73) Assignee: **NCR Corporation**, Duluth, GA (US)
- (*) Notice: This patent is subject to a terminal disclaimer.
- (**) Term: **14 Years**
- (21) Appl. No.: **29/420,739**
- (22) Filed: **May 11, 2012**
- (51) **LOC (10) Cl.** **20-01**
- (52) **U.S. Cl.**
USPC **D99/28**
- (58) **Field of Classification Search**
USPC D99/28, 34, 35, 36, 43, 99; 206/0.8, 206/0.81, 0.815, 0.82, 0.83, 0.84; 101/66; 109/1 R, 1 V, 2, 23, 24.1, 25, 58, 58.5, 109/59 R, 66; 446/8-13; 361/679.1, 679.2, 361/679.4, 679.21, 679.57, 724; 235/379, 235/380, 381, 382, 382.5; 194/206; 705/43; D14/300-307, 900-902; D18/4.1-4.4
See application file for complete search history.

D415,330 S *	10/1999	King	D99/28
D419,277 S *	1/2000	Ishii et al.	D99/35
D424,575 S *	5/2000	Wilson	D14/300
D425,875 S *	5/2000	Wilson	D14/307
D427,742 S *	7/2000	McCormack et al.	D99/28
D429,401 S *	8/2000	Sato et al.	D99/28
D431,708 S *	10/2000	McCormack et al.	D99/28
D438,182 S *	2/2001	Wilson	D14/130
D605,189 S *	12/2009	Kuroda	D14/307
D605,191 S *	12/2009	Kuroda et al.	D14/307
D628,742 S *	12/2010	Hsu	D28/9
D644,405 S *	8/2011	Helgesson et al.	D99/28
D645,223 S *	9/2011	Bleck et al.	D99/28
D665,555 S *	8/2012	Lee et al.	D99/28
2008/0296365 A1 *	12/2008	Schliebe	235/379
2010/0187299 A1 *	7/2010	Block et al.	235/379
2010/0187300 A1 *	7/2010	Ramachandran et al.	235/379
2010/0243729 A1 *	9/2010	Russell et al.	235/379

* cited by examiner

Primary Examiner — Elizabeth J Oswecki
(74) *Attorney, Agent, or Firm* — Paul W. Martin

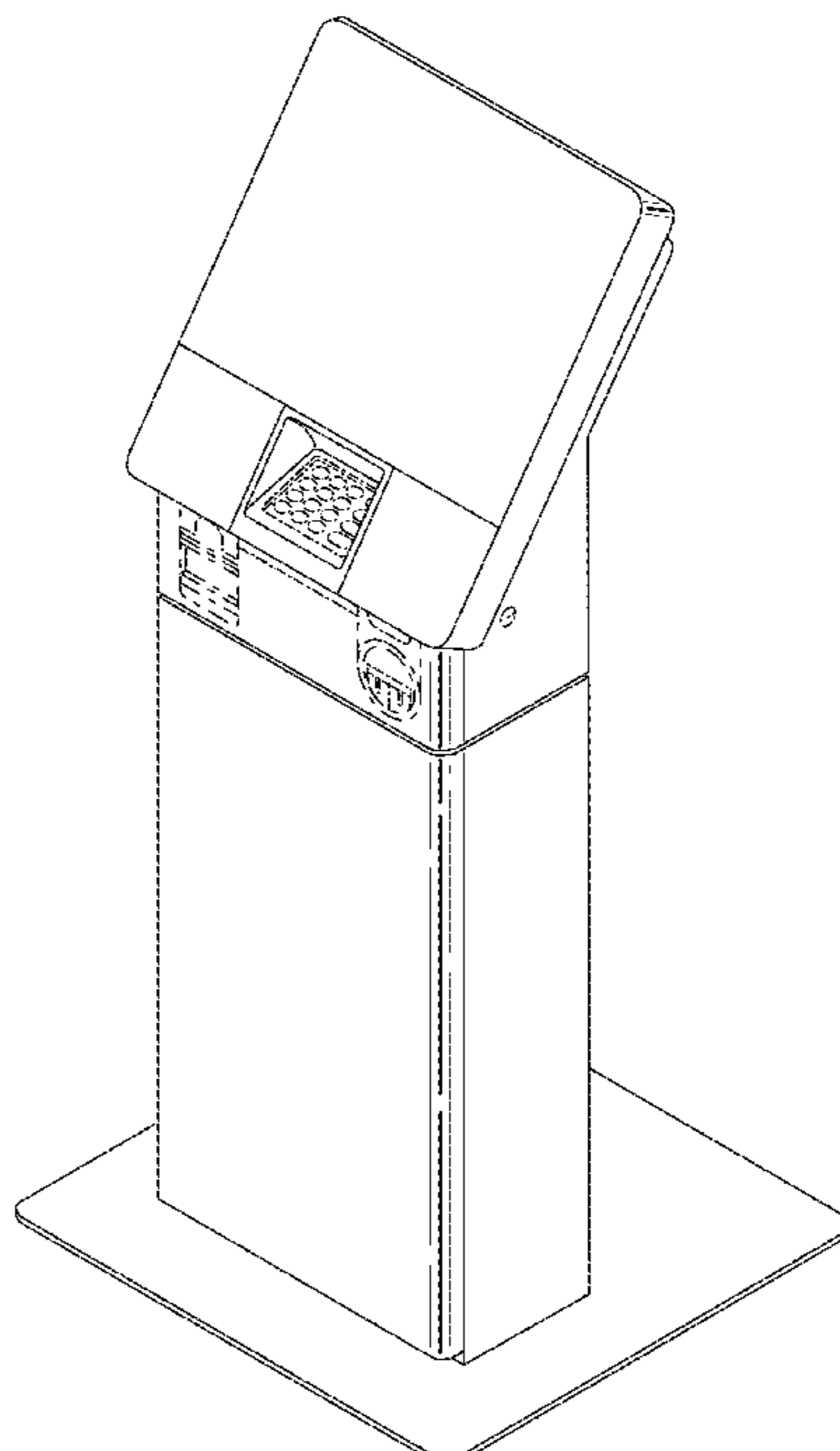
(57) **CLAIM**
The ornamental design for a self-service terminal, as shown and described.

DESCRIPTION

FIG. 1 is a front view of a self-service terminal showing our new design;
FIG. 2 is a rear view thereof;
FIG. 3 is a right side view thereof;
FIG. 4 is a left side view thereof;
FIG. 5 is a top view thereof; and,
FIG. 6 is a perspective view thereof.
All sides not shown form no part of the claimed invention.

1 Claim, 6 Drawing Sheets

- (56) **References Cited**
U.S. PATENT DOCUMENTS
- | | | | | |
|--------------|---------|-------------------|-------|---------|
| D347,930 S * | 6/1994 | Hunter | | D99/35 |
| D377,170 S * | 1/1997 | Wilson | | D14/130 |
| D389,522 S * | 1/1998 | Hesselbach et al. | | D20/10 |
| D395,129 S * | 6/1998 | Johnson | | D99/28 |
| D402,782 S * | 12/1998 | Johnson | | D99/28 |



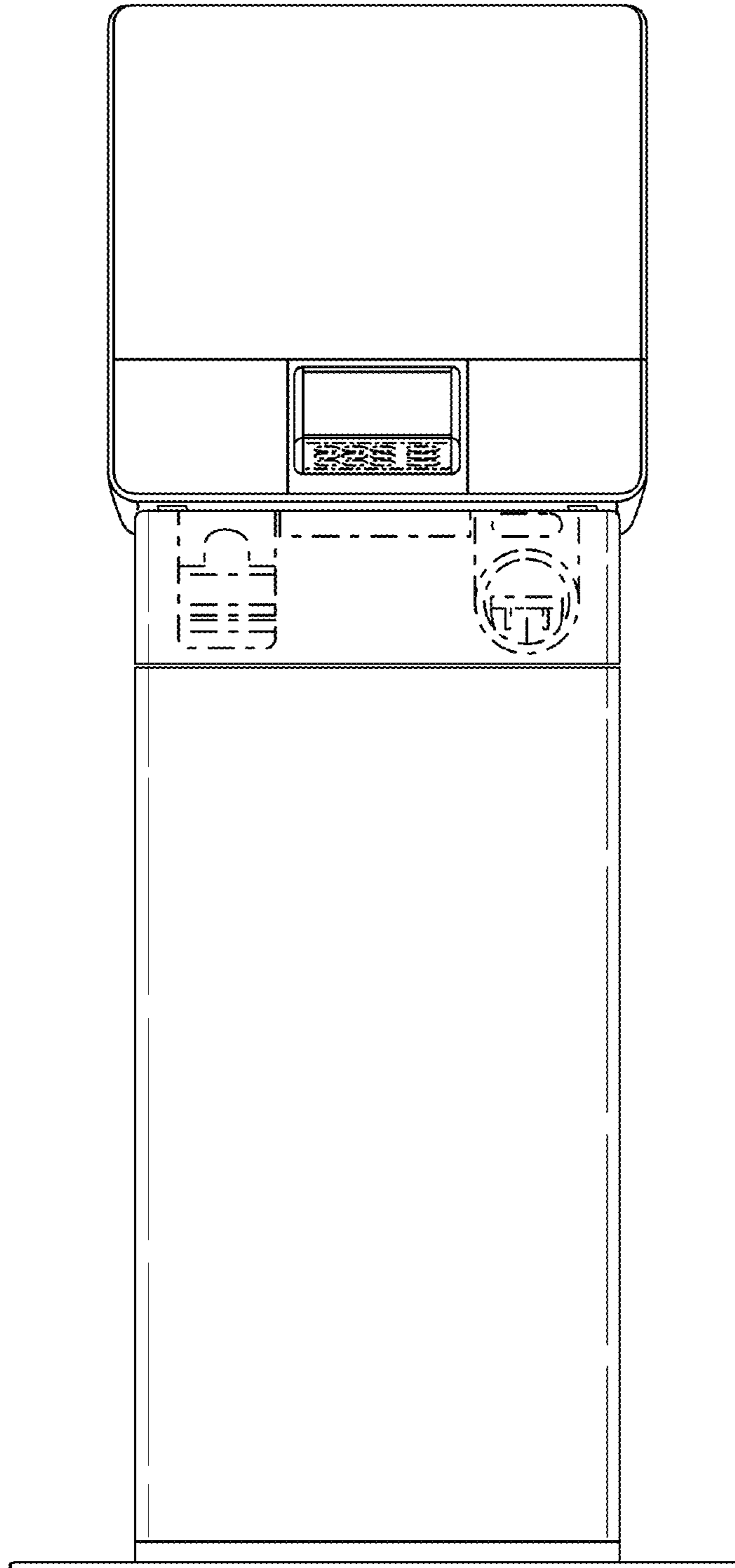


FIG. 1

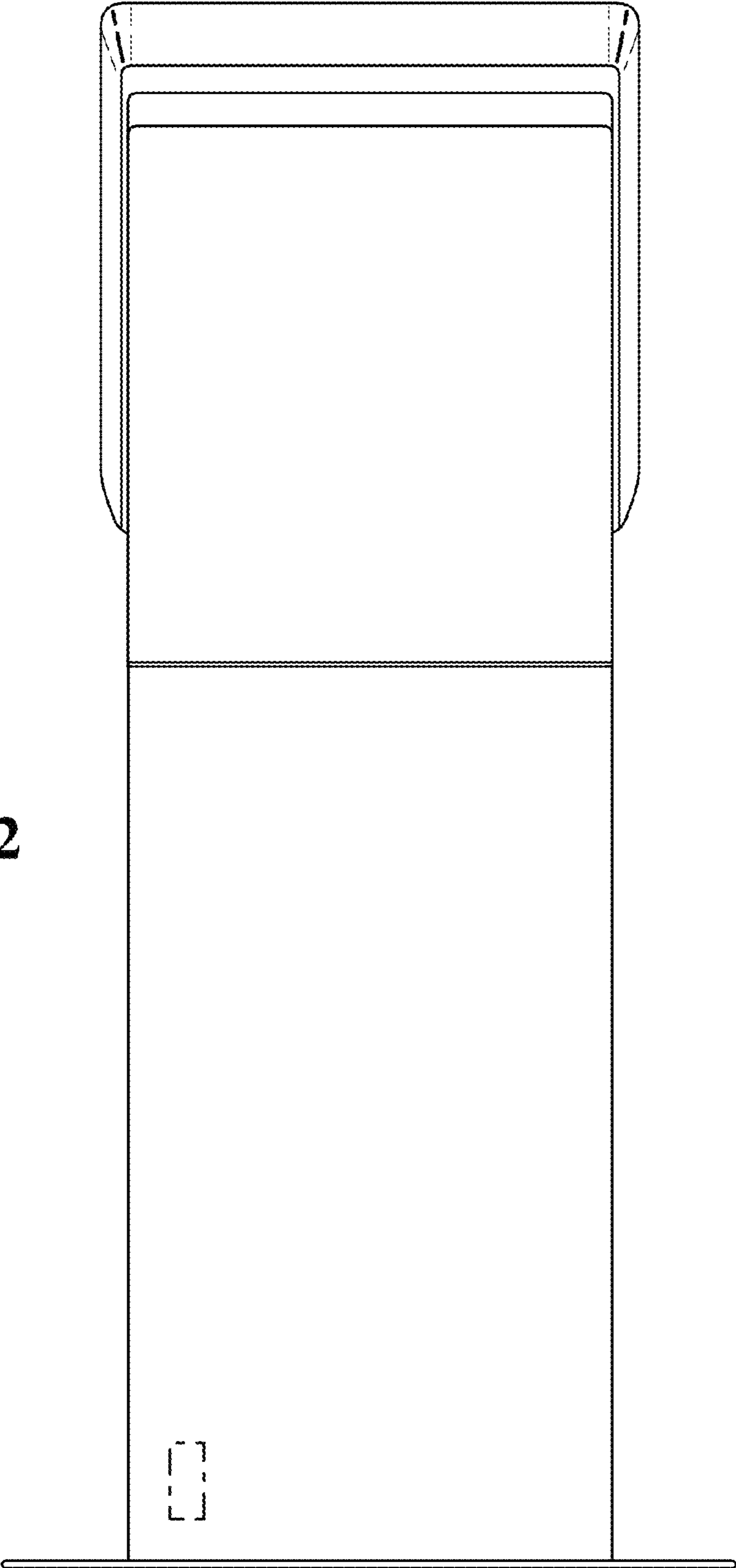


FIG. 2

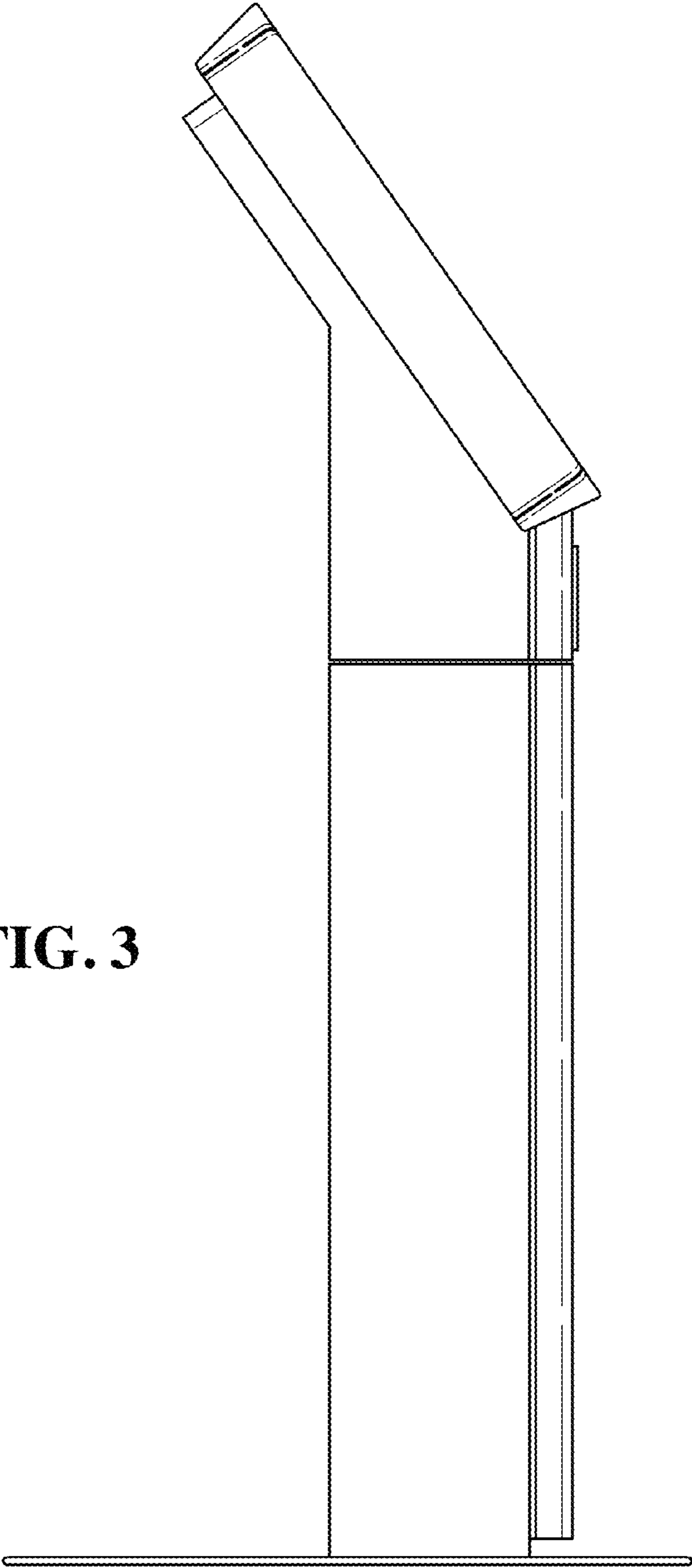


FIG. 3

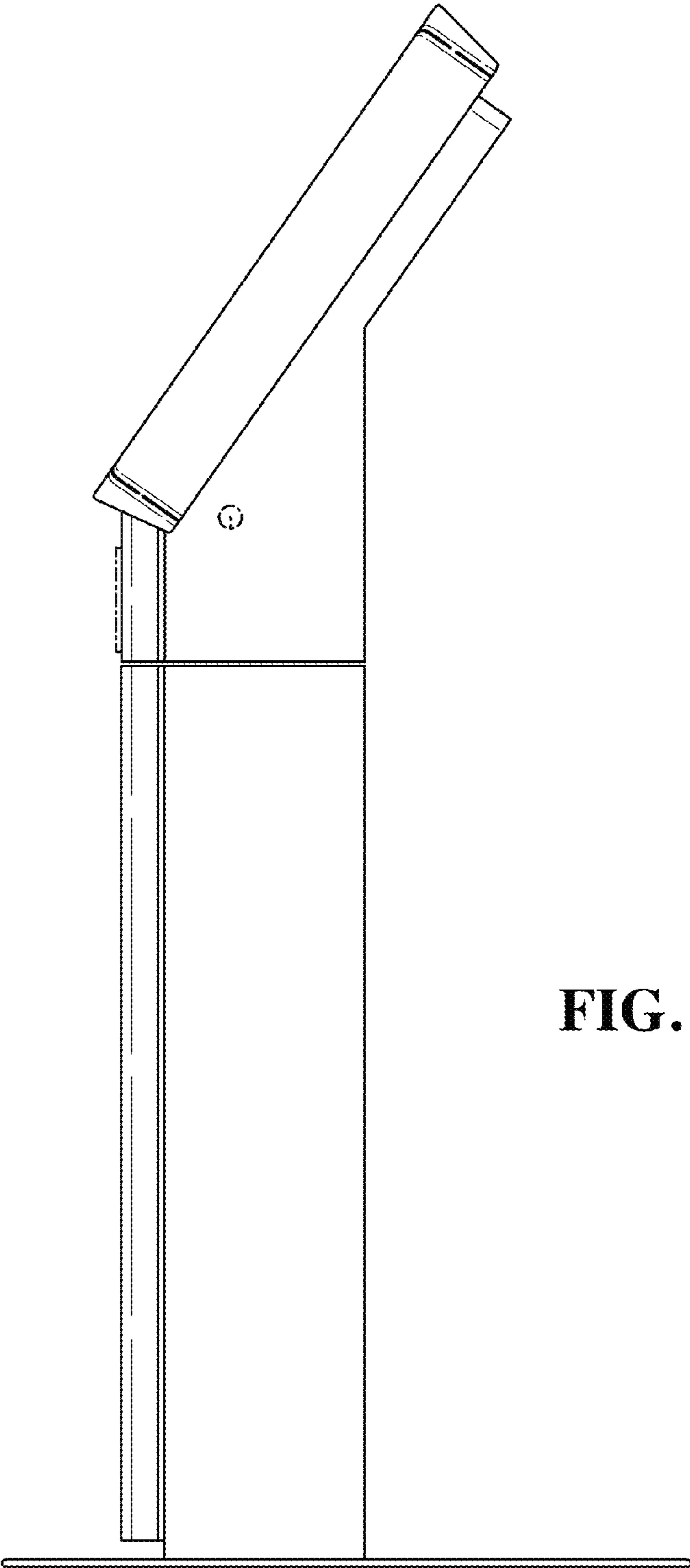


FIG. 4

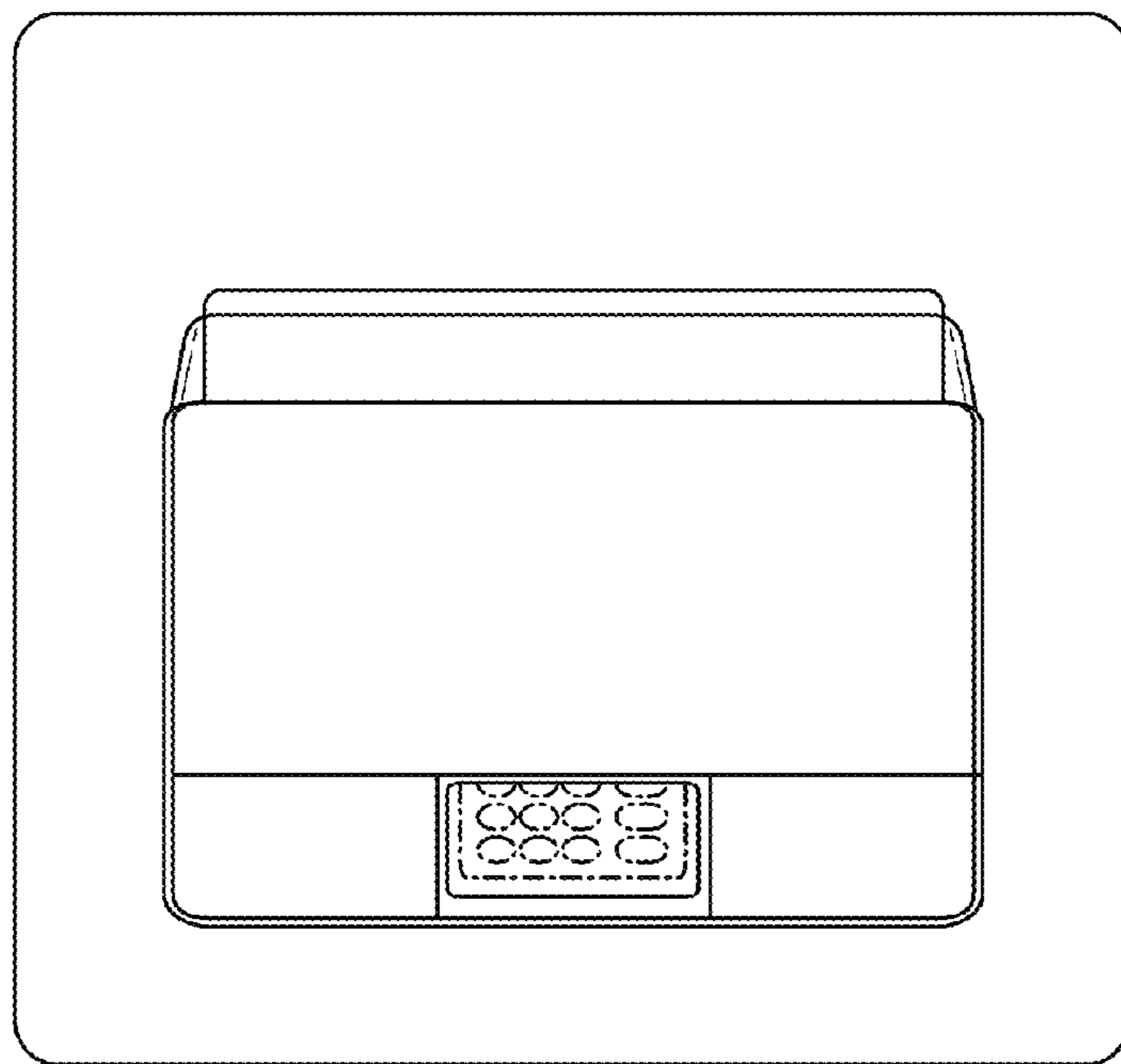


FIG. 5

FIG. 6

