



US00D707011S

(12) **United States Design Patent**
St. Peter et al.

(10) **Patent No.:** **US D707,011 S**
(45) **Date of Patent:** **** Jun. 10, 2014**

(54) **SHOPPING CART PULL HANDLE**

D511,874 S 11/2005 Brown
D672,522 S 12/2012 Taylor et al.
D681,304 S * 4/2013 St. Peter et al. D34/27

(71) Applicant: **Lawrence S. St. Peter**, Hubbell, MI
(US)

FOREIGN PATENT DOCUMENTS

(72) Inventors: **Lawrence A. St. Peter**, Hubbell, MI
(US); **Betty A. St. Peter**, Hubbell, MI
(US)

KR 10-2005-0019447 3/2005

* cited by examiner

(**) Term: **14 Years**

Primary Examiner — Cynthia Ramirez

(74) *Attorney, Agent, or Firm* — Richard C Litman

(21) Appl. No.: **29/482,825**

(57) **CLAIM**

The ornamental design for a shopping cart pull handle, as shown and described.

(22) Filed: **Feb. 21, 2014**

(51) **LOC (10) Cl.** **12-02**

DESCRIPTION

(52) **U.S. Cl.**
USPC **D34/27**

(58) **Field of Classification Search**
USPC D34/12-27; 280/645, 47.35, 47.36,
280/79.5, 655.1, 47.371, 47.34, 79.11, 79.2,
280/33.992

FIG. 1 is an environmental perspective view of a shopping cart pull handle showing my new design; FIG. 2 is a front elevational view thereof; FIG. 3 is a rear elevational view thereof; FIG. 4 is a right side elevational view with the left side being a mirror image thereof; FIG. 5 is a top view thereof; and, FIG. 6 is a bottom view thereof.

See application file for complete search history.

The broken line showing of the basket in FIG. 1 is for illustrative purposes only and forms no part of the claimed design. The broken line showing of the attachment portions in FIGS. 1-6 is for illustrative purposes only, merely showing the types of attachments that can be used, and forms no part of the claimed design.

(56) **References Cited**

U.S. PATENT DOCUMENTS

4,537,338 A 8/1985 Belka
4,561,239 A 12/1985 Cook
4,706,975 A 11/1987 Arena
D396,925 S 8/1998 Kessler et al.
6,412,839 B1 7/2002 Tran

1 Claim, 5 Drawing Sheets





Fig. 1

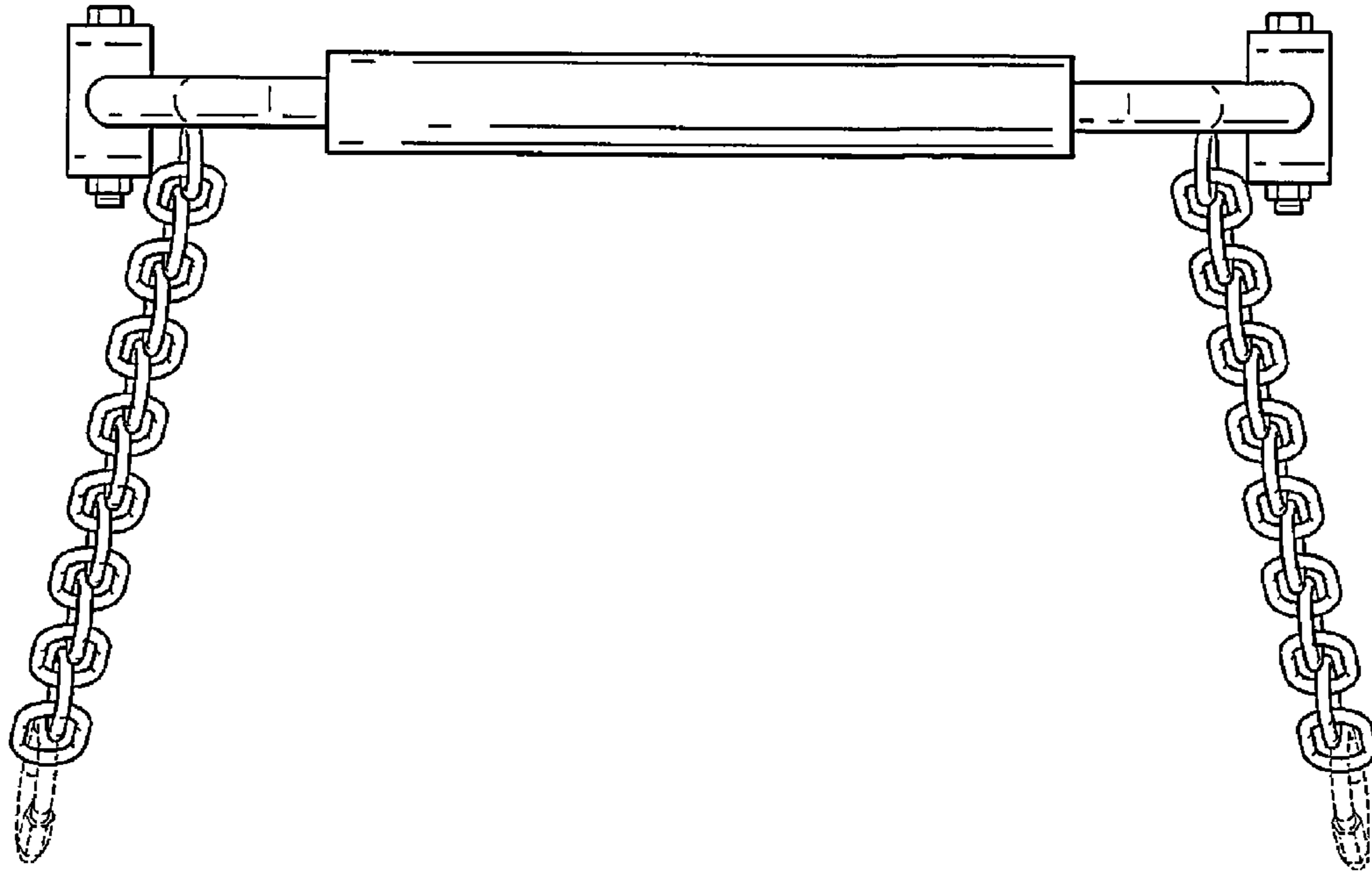


Fig. 2

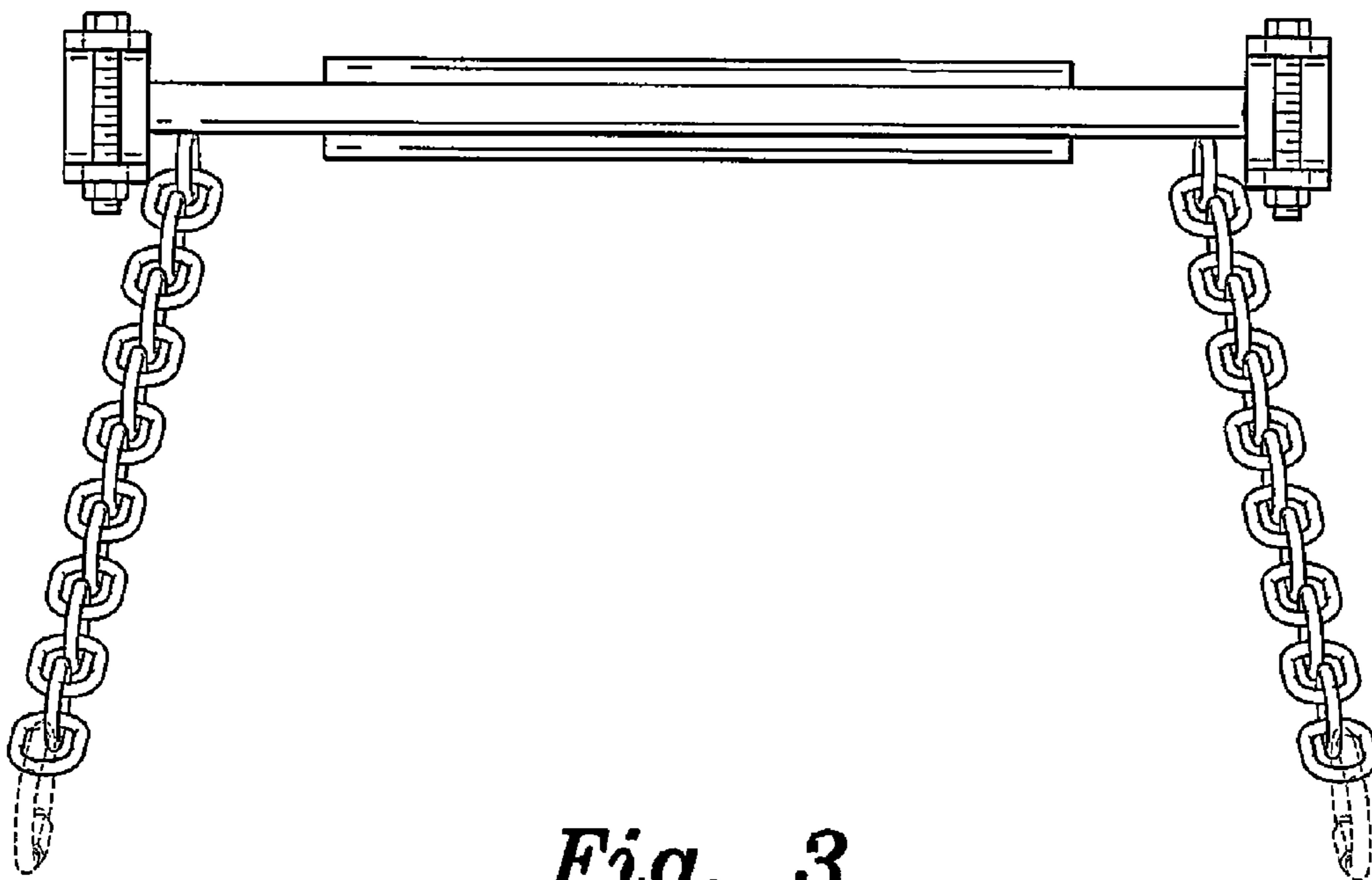


Fig. 3

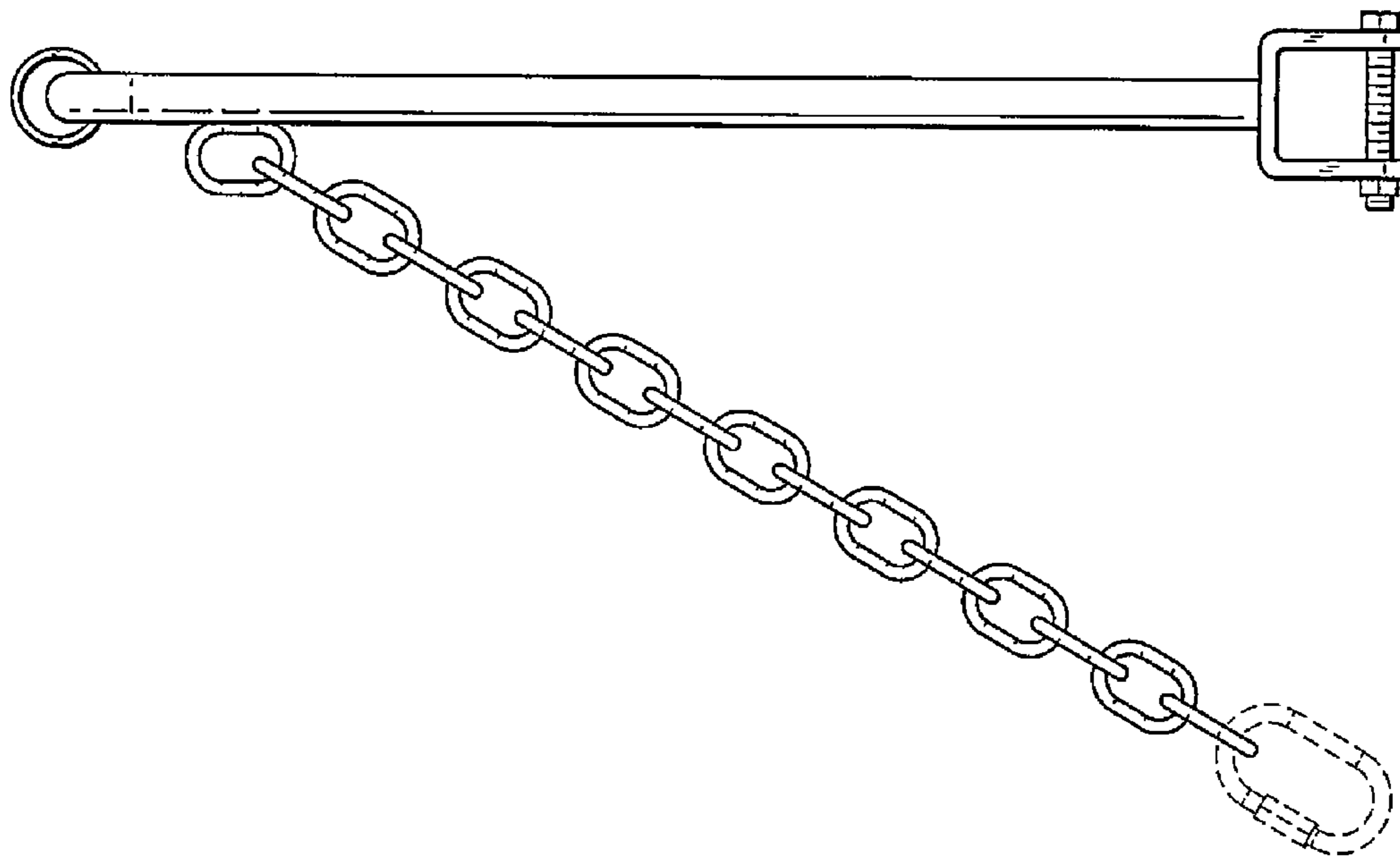


Fig. 4

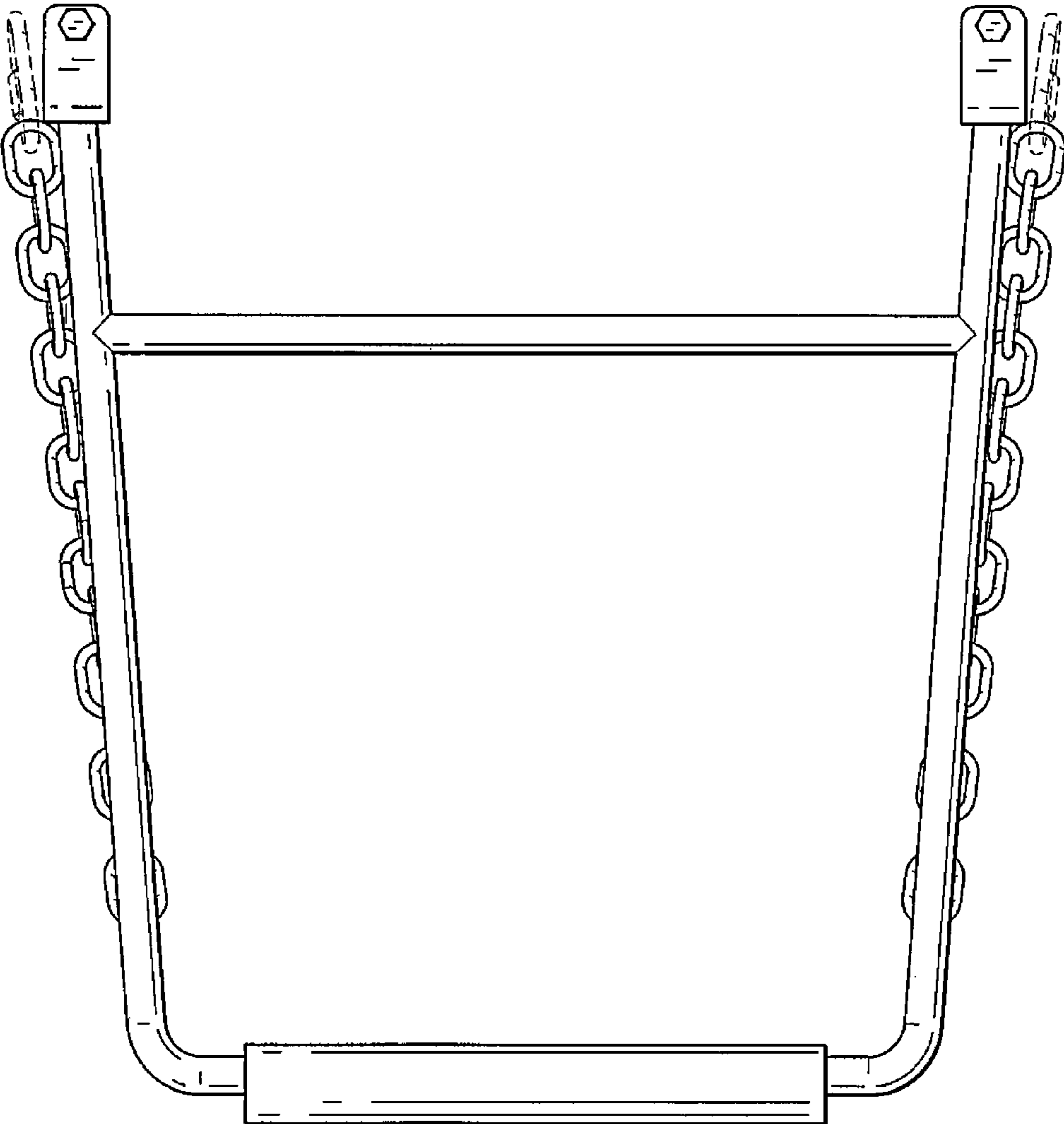


Fig. 5

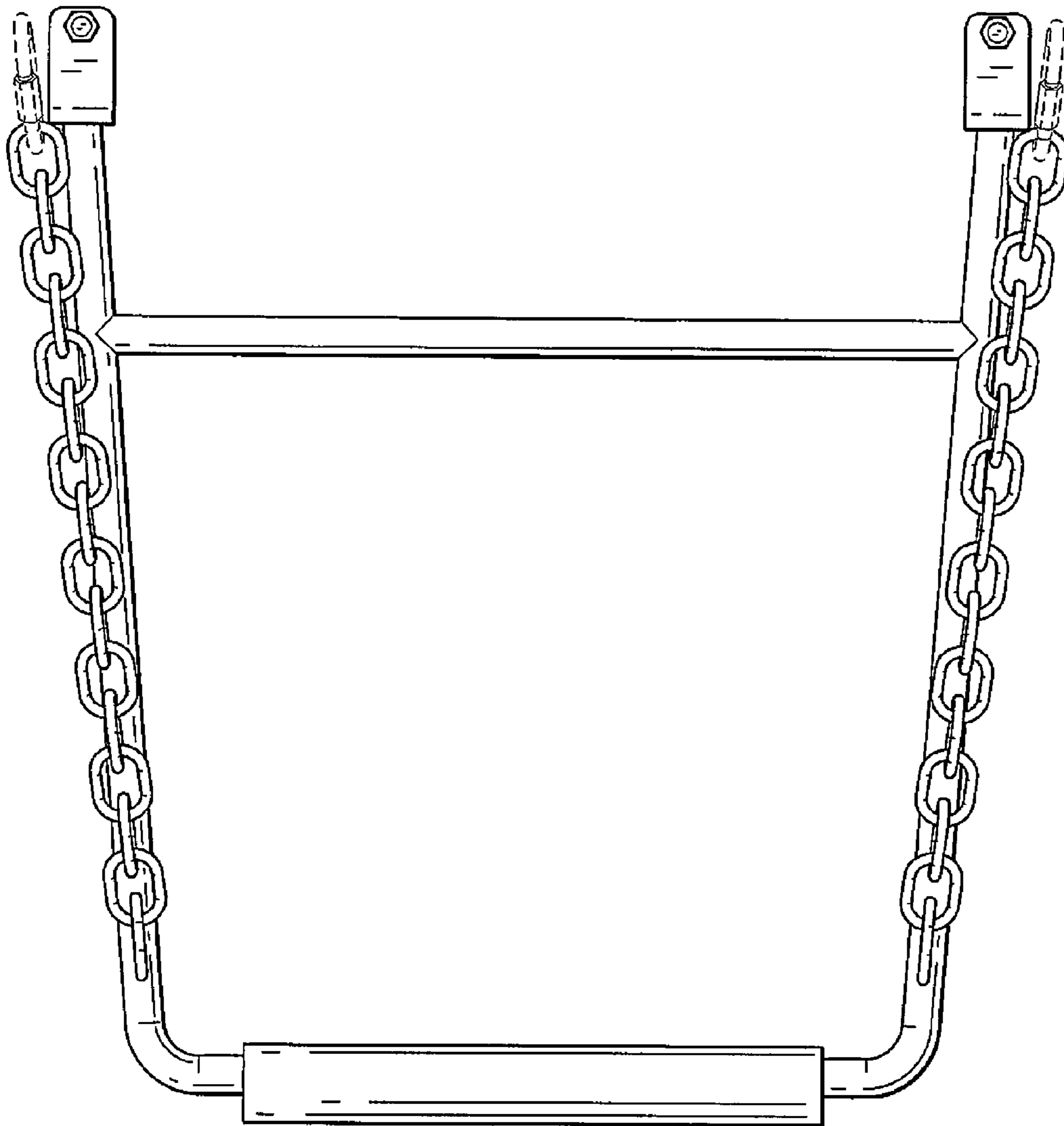


Fig. 6