

US00D707008S

(12) **United States Design Patent**
Mericle

(10) **Patent No.:** **US D707,008 S**
(45) **Date of Patent:** **** Jun. 10, 2014**

(54) **WHEEL ASSEMBLY**

(71) Applicant: **Cooler Extras, LLC**, Buda, TX (US)

(72) Inventor: **David Shane Mericle**, Buda, TX (US)

(**) Term: **14 Years**

(21) Appl. No.: **29/458,449**

(22) Filed: **Jun. 19, 2013**

(51) **LOC (10) Cl.** **12-02**

(52) **U.S. Cl.**
USPC **D34/26**

(58) **Field of Classification Search**
USPC D34/12-27; 280/651, 654, 653, 43.1,
280/63, 66, 47.34

See application file for complete search history.

(56) **References Cited**

U.S. PATENT DOCUMENTS

D237,786	S	*	11/1975	Gilster	D34/24
D261,634	S	*	11/1981	Beshears	D34/24
4,583,904	A	*	4/1986	Maxwell	414/453
4,681,341	A	*	7/1987	Lai	280/646
D303,031	S	*	8/1989	Ellis	D34/31
5,176,394	A	*	1/1993	Veazey	280/414.2
D340,340	S	*	10/1993	Allen	D34/28

D342,361	S	*	12/1993	Williams et al.	D34/24
D358,921	S	*	5/1995	Abbema	D34/26
D362,529	S	*	9/1995	Hilaire et al.	D34/27
5,586,778	A	*	12/1996	Lindh et al.	280/40
6,059,299	A	*	5/2000	Rust	280/47.131
6,085,503	A	*	7/2000	Hutchinson	56/12.7
D465,897	S	*	11/2002	Smith	D34/23
D493,020	S	*	7/2004	Resfum	D34/20
D550,476	S	*	9/2007	Liu et al.	D34/24
D554,324	S	*	10/2007	Liao	D34/27
7,661,684	B2	*	2/2010	Westrate	280/47.34
7,823,370	B1	*	11/2010	Wiebe et al.	56/12.7
D642,351	S	*	7/2011	Bozzo	D34/24

* cited by examiner

Primary Examiner — Cynthia Ramirez

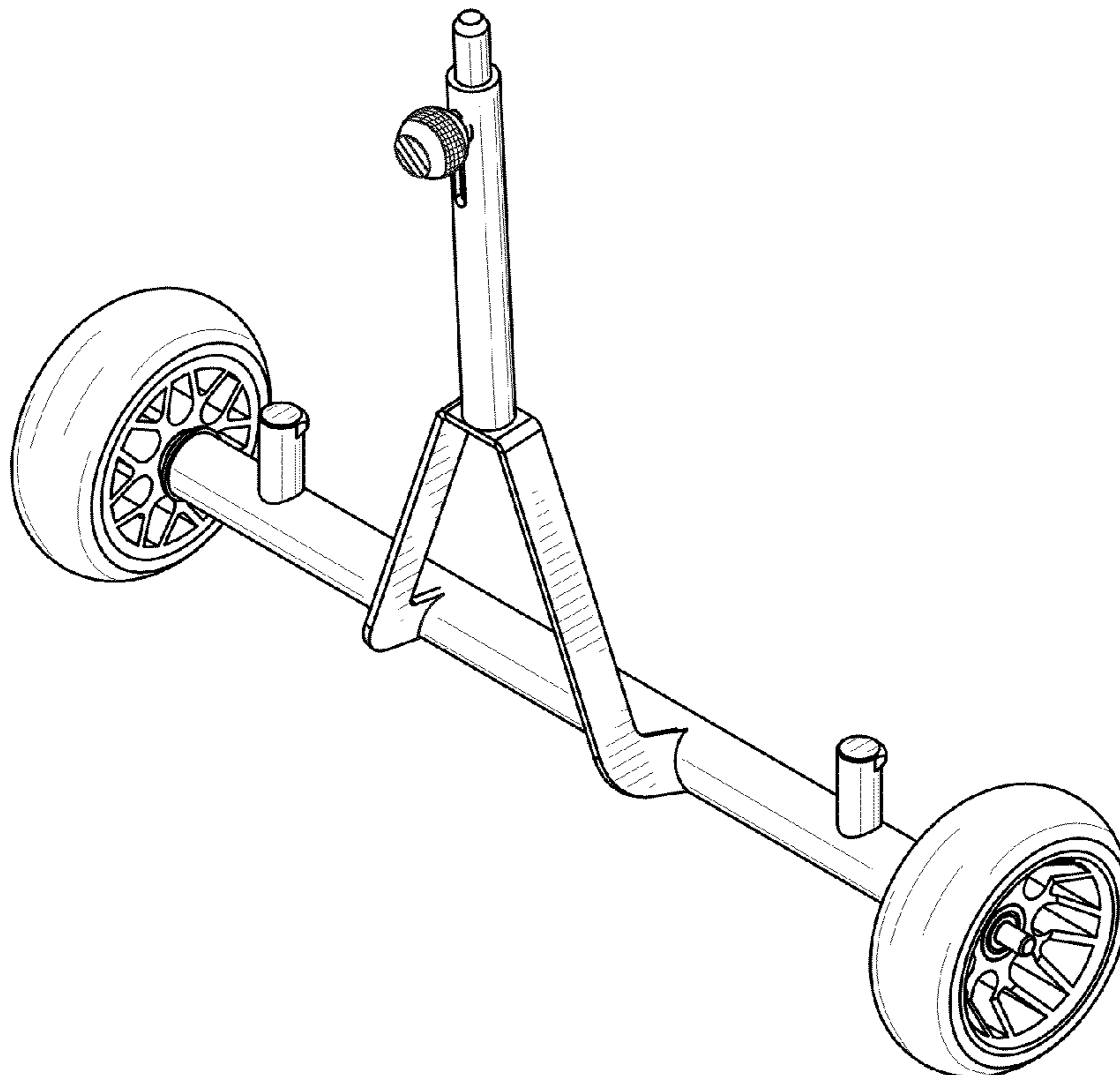
(57) **CLAIM**

The ornamental design for a wheel assembly, as shown and described.

DESCRIPTION

FIG. 1 is a perspective view of a wheel assembly showing my new design;
FIG. 2 is a front elevational view thereof;
FIG. 3 is a rear elevational view thereof;
FIG. 4 is right side elevational view thereof;
FIG. 5 is a left side elevational view thereof;
FIG. 6 is a top plan view thereof; and,
FIG. 7 is a bottom plan view thereof.

1 Claim, 4 Drawing Sheets



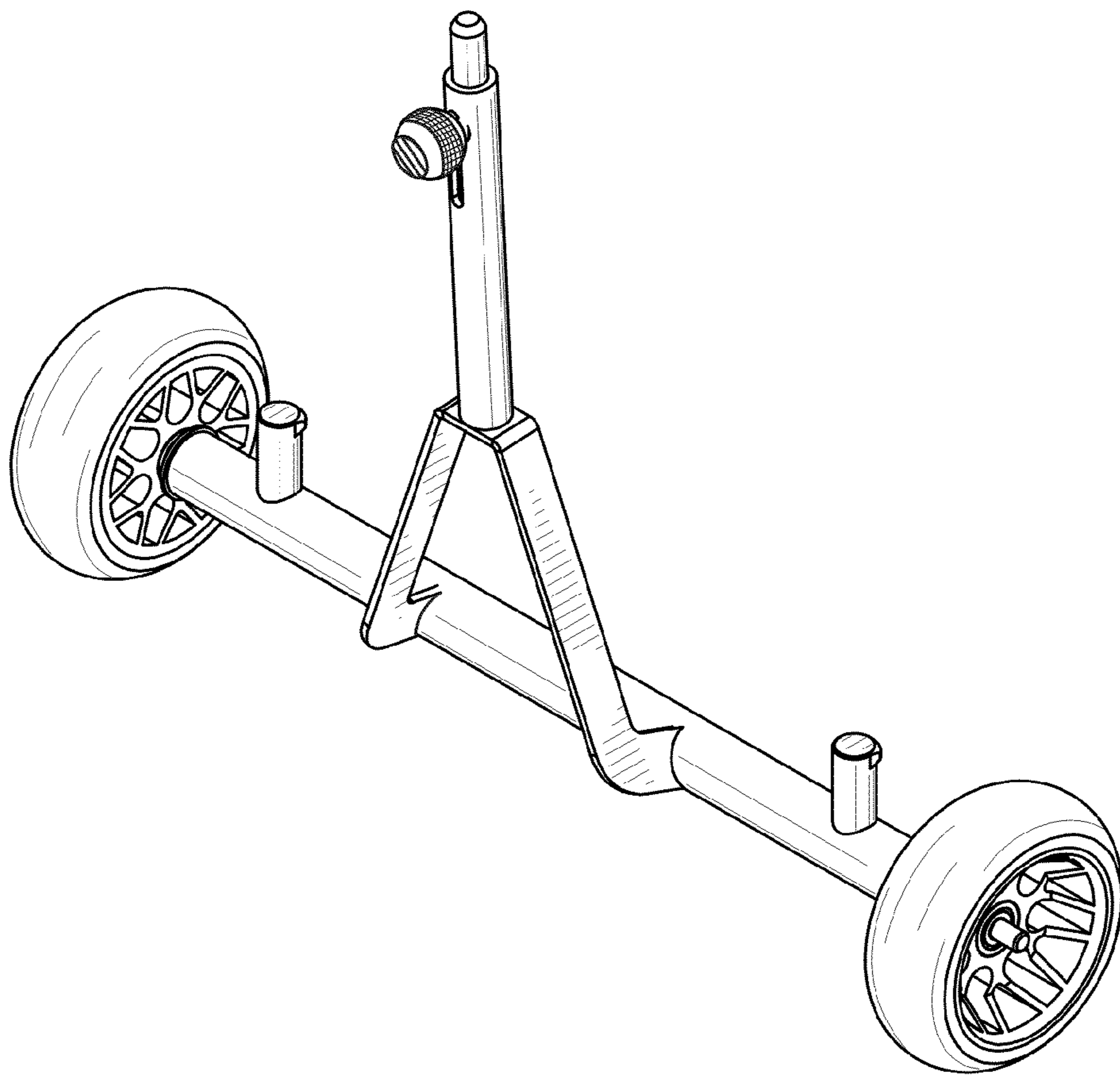


FIG. 1

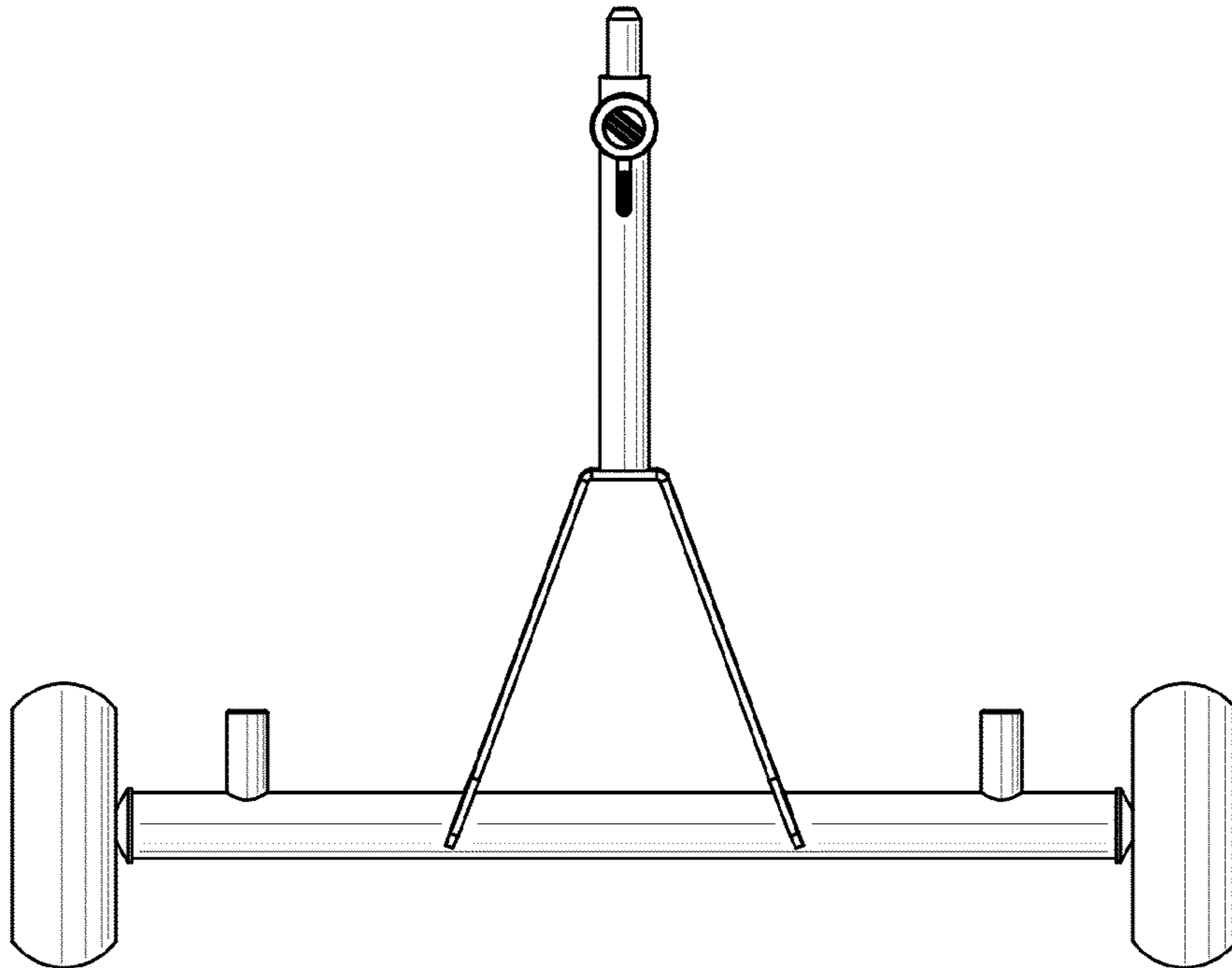


FIG. 2

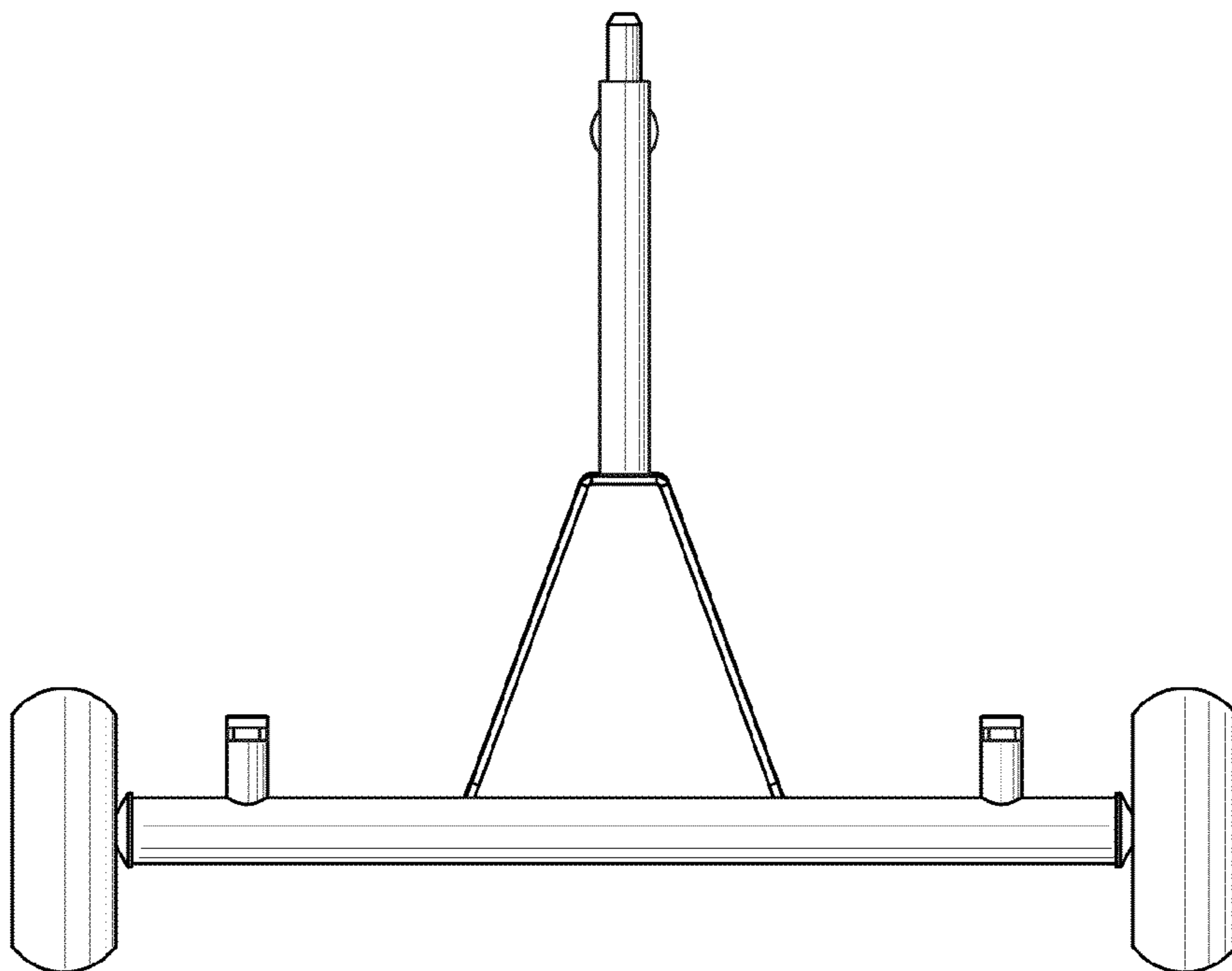


FIG. 3

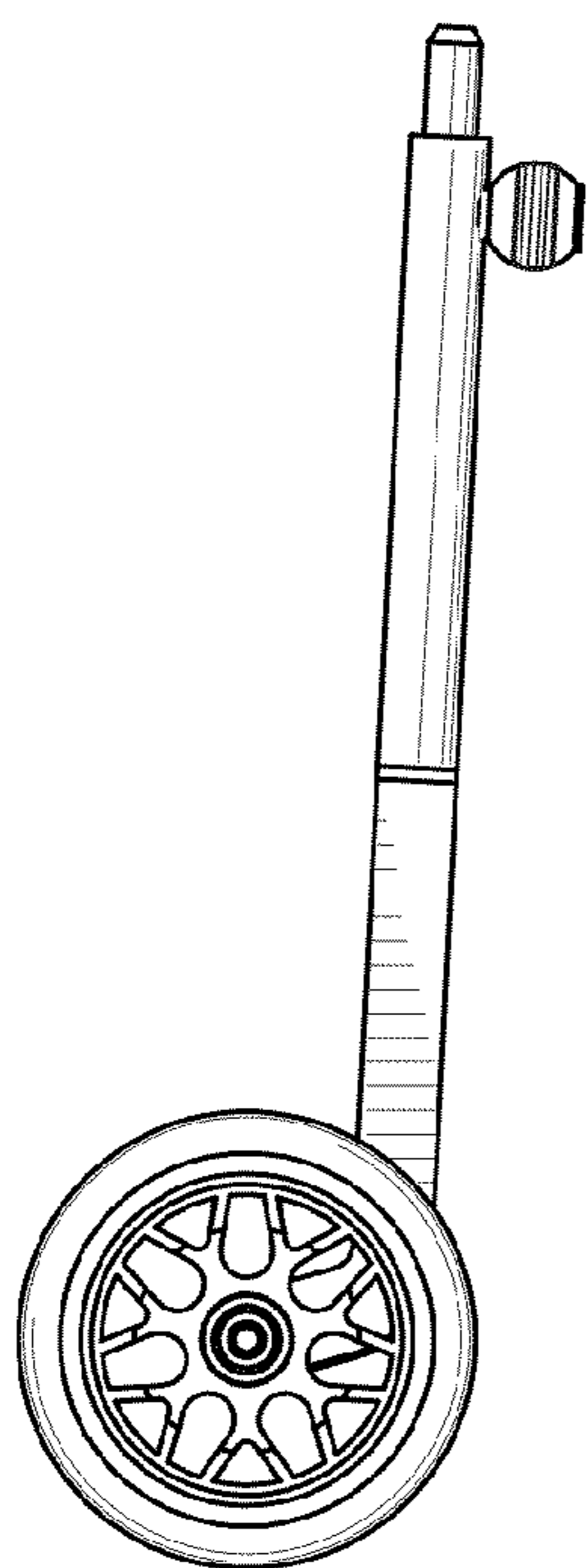


FIG. 4

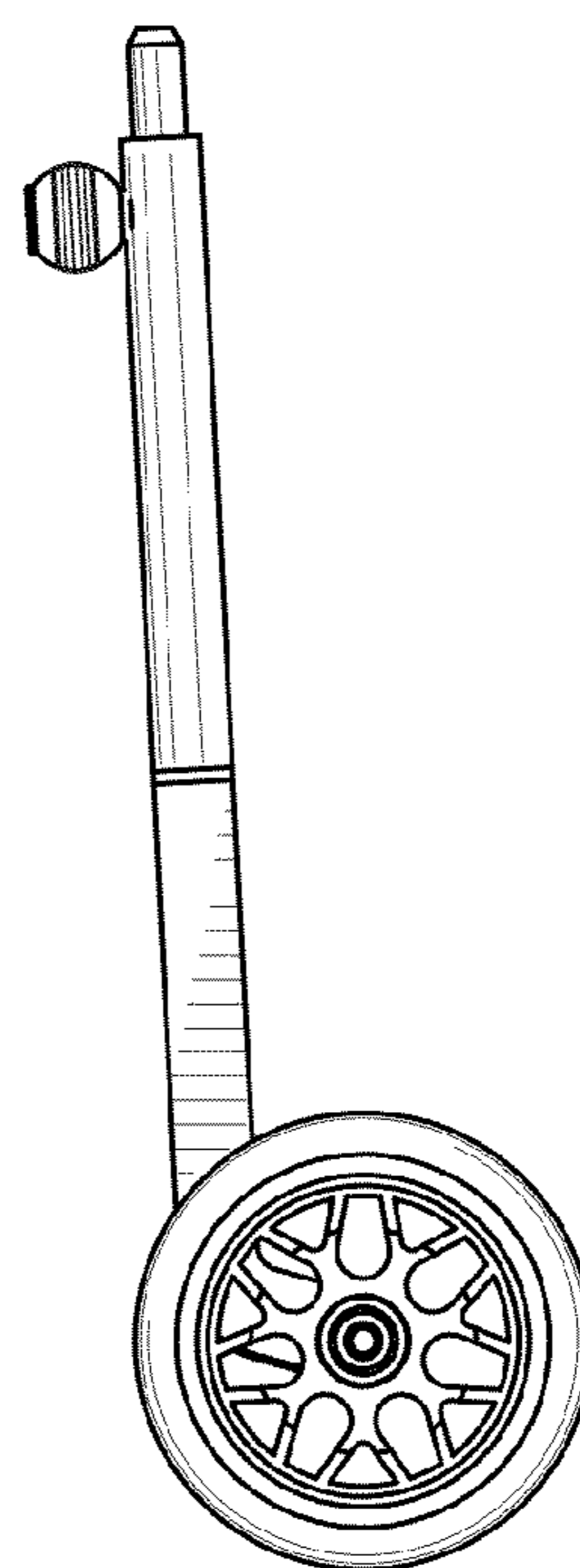


FIG. 5

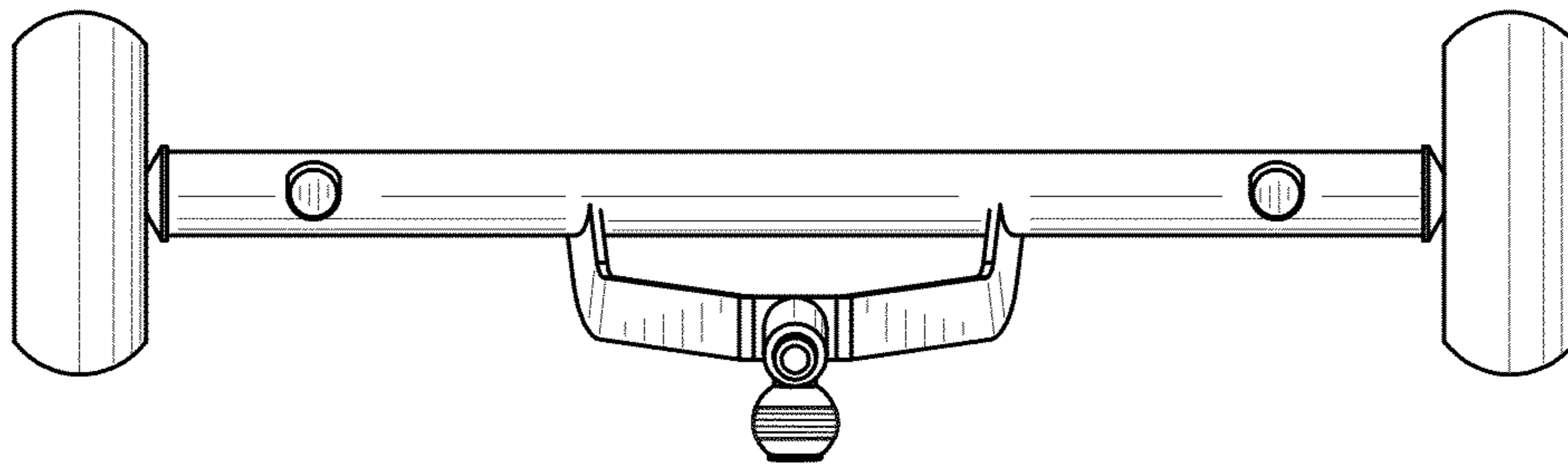


FIG. 6

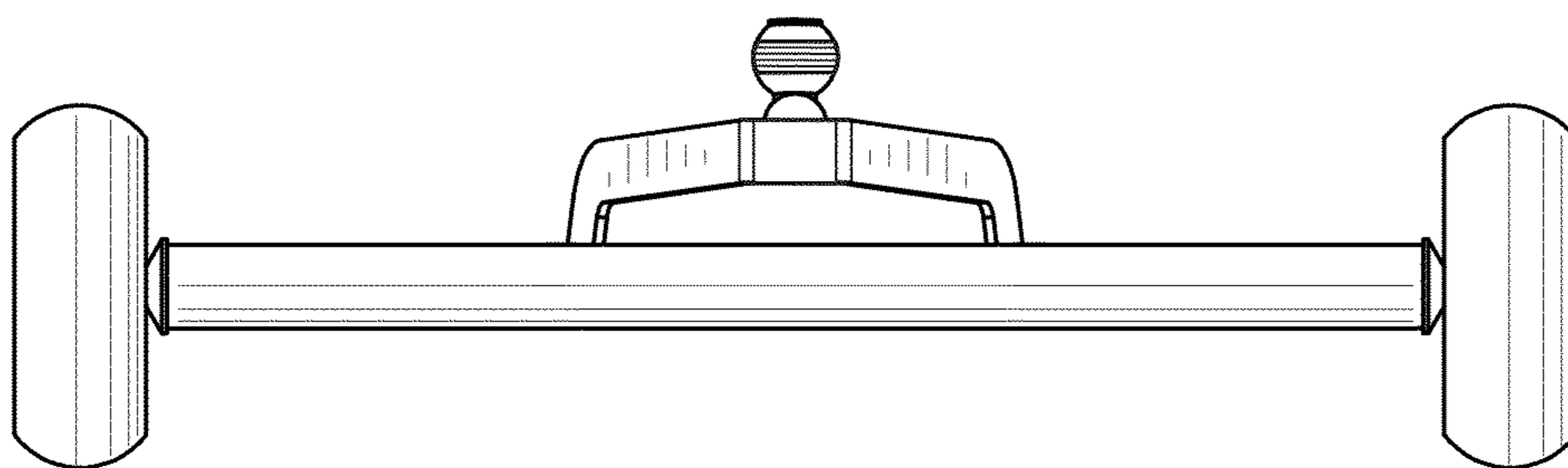


FIG. 7