



US00D707004S

(12) **United States Design Patent**
Levy et al.

(10) **Patent No.:** **US D707,004 S**
(45) **Date of Patent:** **** Jun. 10, 2014**

(54) **SINK MAT**

(56) **References Cited**

(71) Applicants: **Jaime Alyssa Levy**, New York, NY (US); **David Colie Wight**, West Orange, NJ (US); **Anthony John Baxter**, Upper Montclair, NJ (US); **Lucas Wade**, Austin, TX (US)

U.S. PATENT DOCUMENTS

D286,497 S *	11/1986	Daenen et al.	D7/388
D364,018 S *	11/1995	Brightbill et al.	D32/55
D418,646 S *	1/2000	Hampshire	D32/55
D486,360 S *	2/2004	Sellers	D8/1
D487,860 S *	3/2004	Turner	D7/504
D508,368 S *	8/2005	Lion et al.	D7/388
D514,765 S *	2/2006	Dretzka	D32/57
D554,820 S *	11/2007	Dretzka	D32/57
D581,120 S *	11/2008	Sofy et al.	D32/57
D591,013 S *	4/2009	Mose	D30/199
D621,114 S *	8/2010	Lion	D32/57
D625,482 S *	10/2010	Yang et al.	D32/57

(72) Inventors: **Jaime Alyssa Levy**, New York, NY (US); **David Colie Wight**, West Orange, NJ (US); **Anthony John Baxter**, Upper Montclair, NJ (US); **Lucas Wade**, Austin, TX (US)

(73) Assignee: **Helen of Troy Limited**, St. Michael (BB)

* cited by examiner

(**) Term: **14 Years**

Primary Examiner — Austin Murphy

(21) Appl. No.: **29/483,765**

(57) **CLAIM**

The ornamental design for a sink mat, as shown, and described.

(22) Filed: **Mar. 3, 2014**

(51) **LOC (10) Cl.** **07-05**

(52) **U.S. Cl.**
USPC **D32/57**

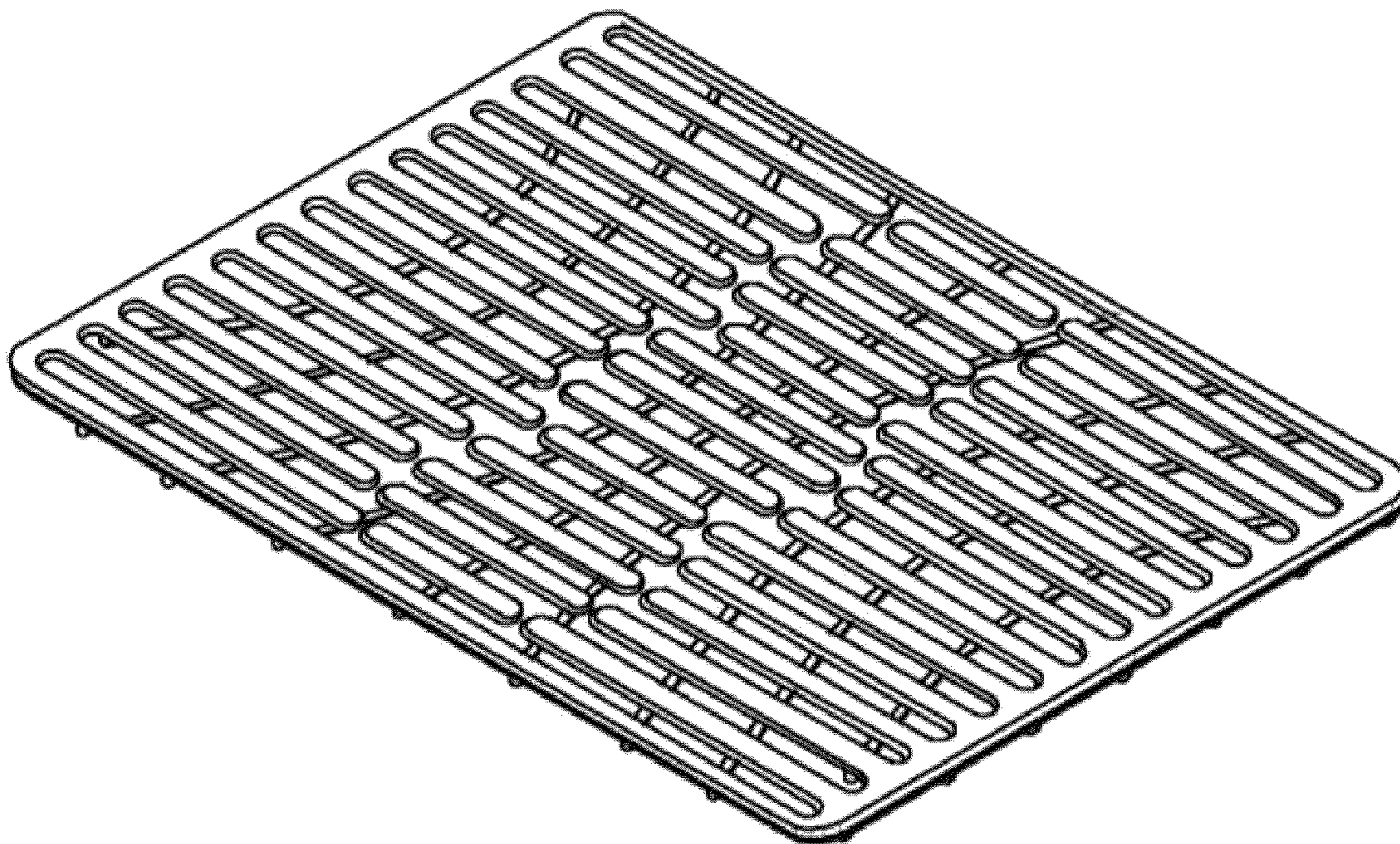
DESCRIPTION

(58) **Field of Classification Search**
USPC D32/55, 276, 3; D6/510, 525; D30/133; 211/41.5, 41.4, 41.3, 41.8; 361/679.4; 312/311, 333, 334.4; D7/354, 629

FIG. 1 is a front view of the sink mat;
FIG. 2 is a rear view of the sink mat;
FIG. 3 is a side view of the sink mat; and,
FIG. 4 is a perspective view of the sink mat.

See application file for complete search history.

1 Claim, 4 Drawing Sheets



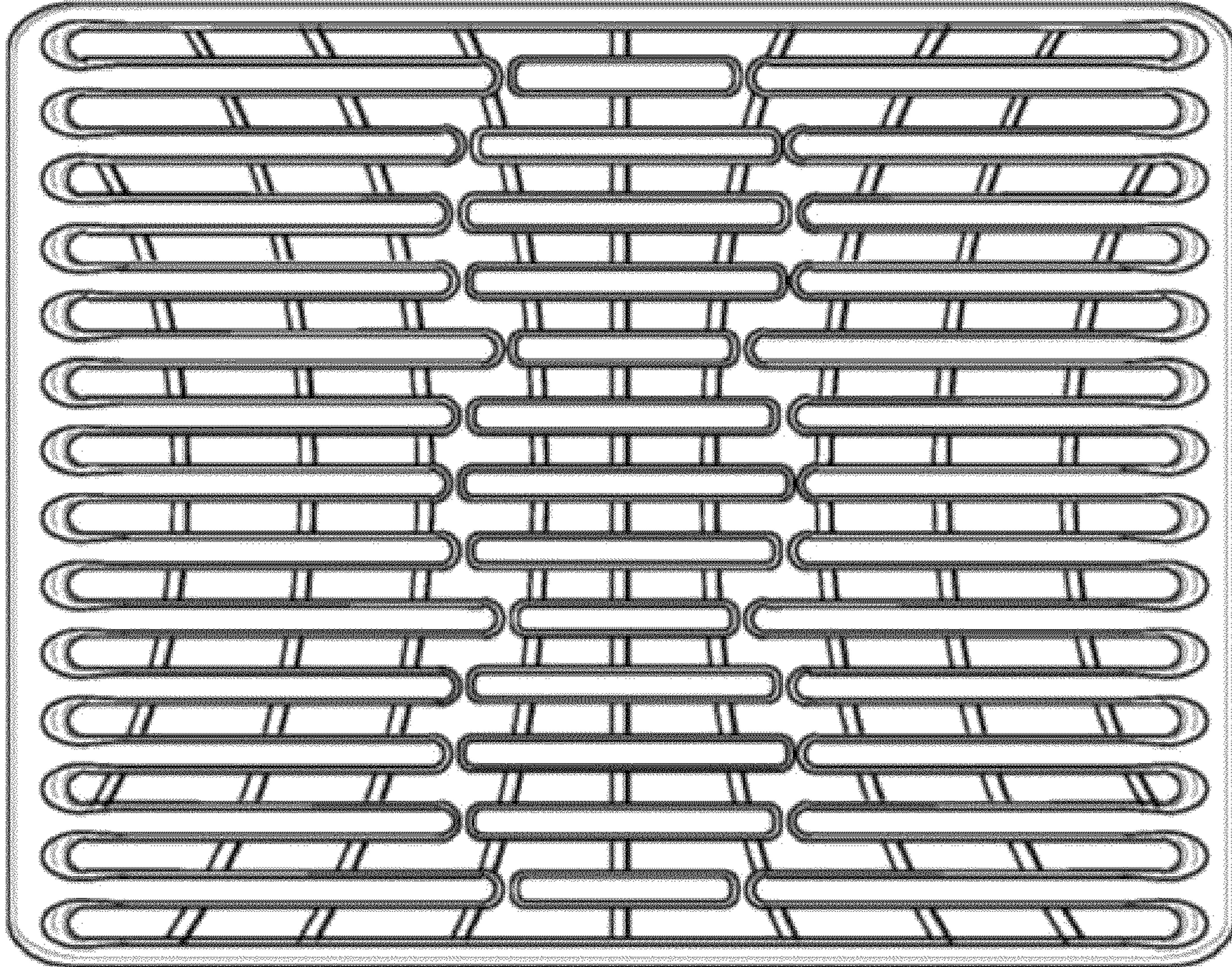


Figure 1

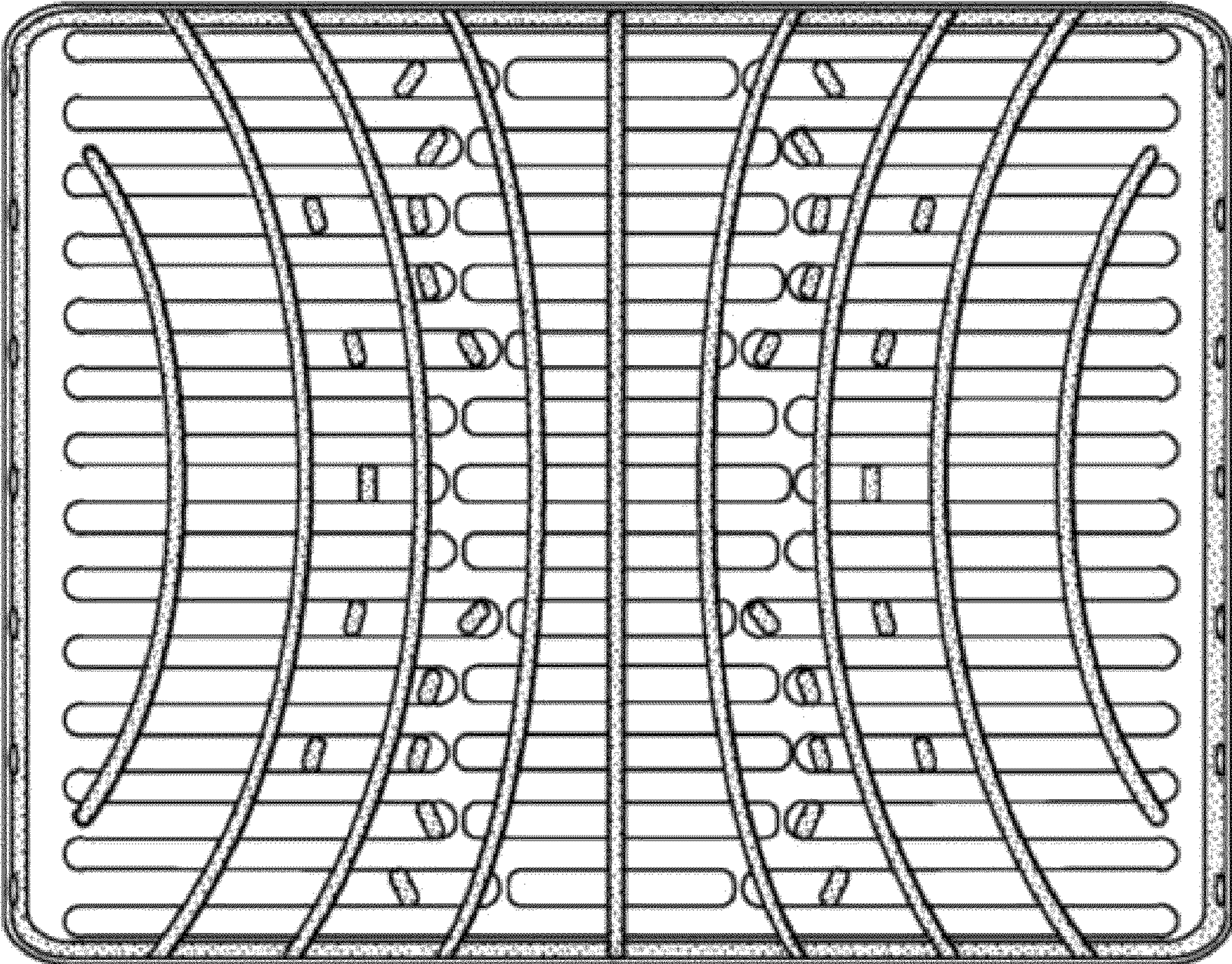


Figure 2



Figure 3

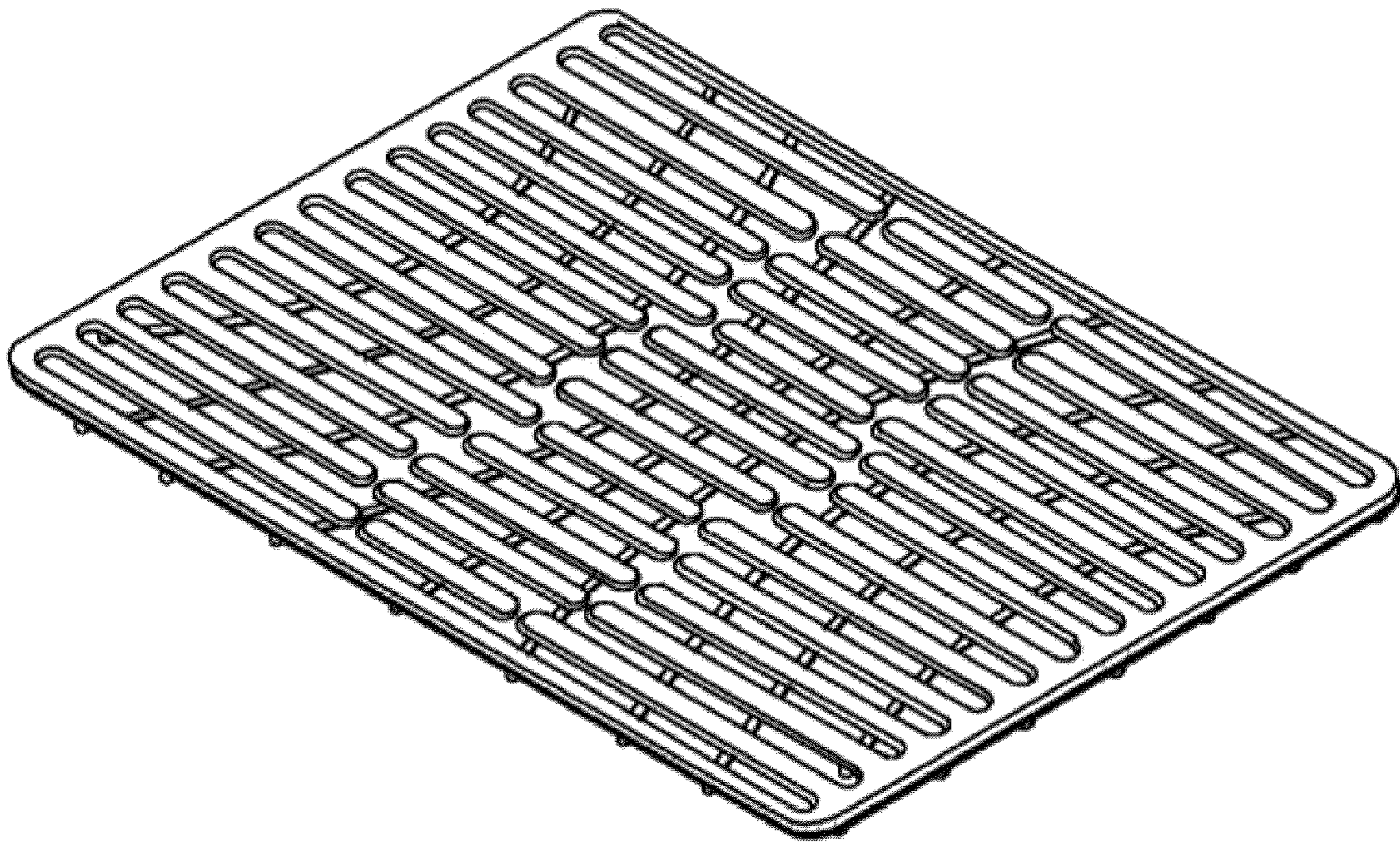


Figure 4